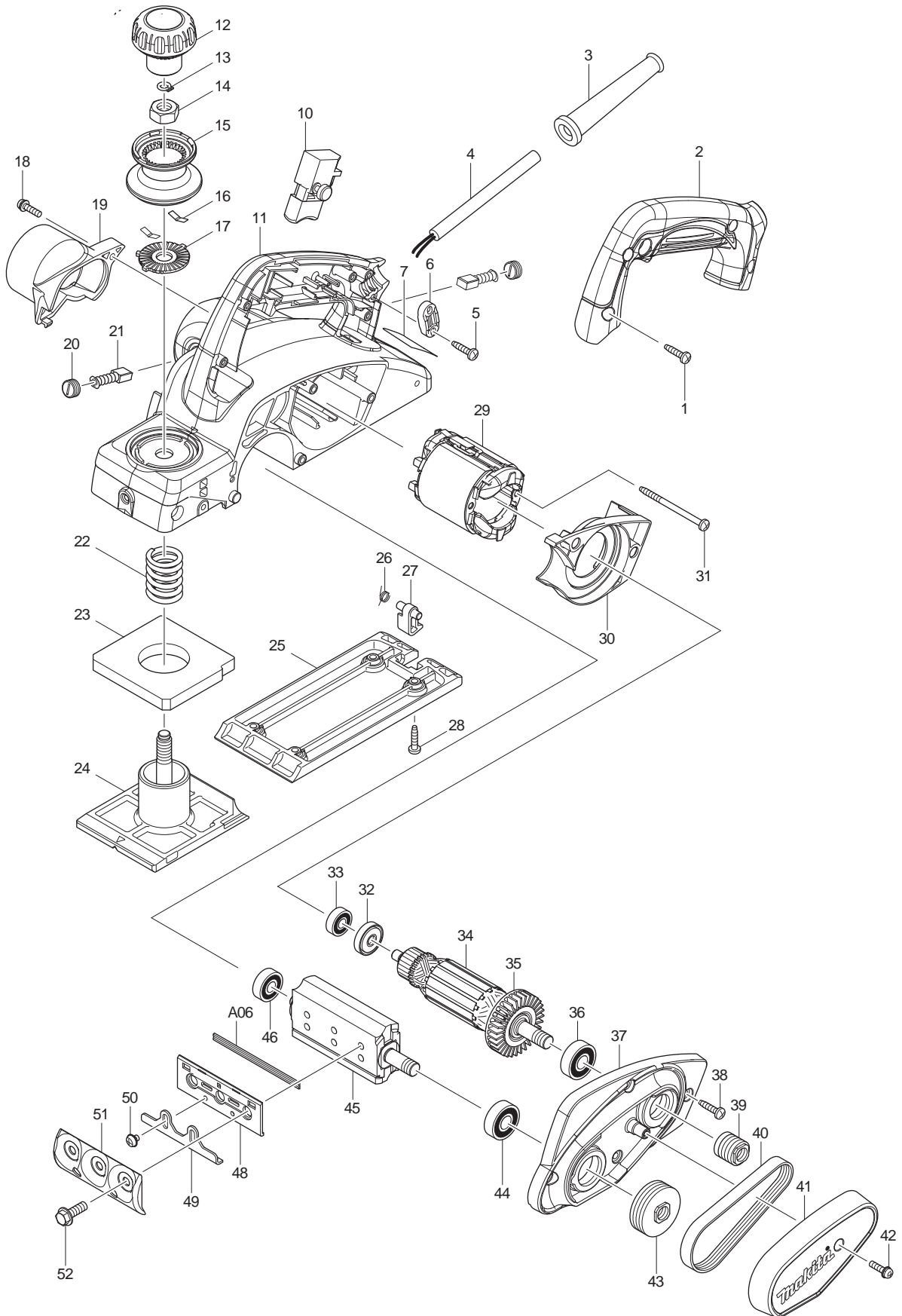




01 - 2012  
KP0800 / KP0800K / KP0800KX  
3-1/4" PLANER KIT



| Item No. | Type | Sub  | Part No. | Description                           | Qty | Unit |
|----------|------|------|----------|---------------------------------------|-----|------|
| 1        |      |      | 266326-2 | TAPPING SCREW 4X18                    | 4   | PC.  |
| 2        |      |      | 451314-4 | HANDLE COVER                          | 1   | PC.  |
| 3        |      |      | 682502-4 | CORD GUARD 8-85                       | 1   | PC.  |
| 4        |      |      | 664064-4 | CORD W/PLUG 2P-18-2.5, SJ             | 1   | PC.  |
| 5        |      |      | 266326-2 | TAPPING SCREW 4X18                    | 2   | PC.  |
| 6        |      |      | 687063-9 | STRAIN RELIEF                         | 1   | PC.  |
| 7        |      |      | 867138-2 | KP0800 NAME PLATE                     | 1   | PC.  |
| 10       |      |      | 650236-7 | SWITCH SGEL115CDY-13                  | 1   | PC.  |
| 11       |      |      | 140198-2 | MAIN FRAME COMPLETE                   | 1   | PC.  |
|          |      | INC. | 643455-2 | BRUSH HOLDER 6X9                      | 2   | PC.  |
|          |      | INC. | 810581-4 | CAUTION LABEL                         | 1   | PC.  |
| 12       |      |      | 451328-3 | KNOB COVER                            | 1   | PC.  |
| 13       |      |      | 961004-6 | RETAINING RING S-8                    | 1   | PC.  |
| 14       |      |      | 264028-4 | HEX. NUT M10                          | 1   | PC.  |
| 15       |      |      | 451325-9 | KNOB                                  | 1   | PC.  |
| 16       |      |      | 232185-6 | LEAF SPRING                           | 2   | PC.  |
| 17       |      |      | 346110-2 | CAM PLATE                             | 1   | PC.  |
| 18       |      |      | 911128-8 | PAN HEAD SCREW M4X16                  | 1   | PC.  |
| 19       |      |      | 451393-2 | CHIP COVER                            | 1   | PC.  |
| 20       |      |      | 643550-8 | BRUSH HOLDER CAP 5-8                  | 2   | PC.  |
| 21       |      |      | 195008-8 | CARBON BRUSH CB-408 2PC/SET W/ ORIGIN | 1   | SET  |
| 22       |      |      | 231004-3 | COMPRESSION SPRING 18                 | 1   | PC.  |
| 23       |      |      | 421007-7 | RUBBER PACKING                        | 1   | PC.  |
| 24       |      | 1    | 318491-4 | FRONT BASE                            | 1   | PC.  |
|          |      | 2    | 319010-9 | FRONT BASE                            | 1   | PC.  |
| 25       |      | 1    | 318499-8 | BASE                                  | 1   | PC.  |
|          |      | 2    | 319009-4 | BASE                                  | 1   | PC.  |
| 26       |      |      | 231698-4 | TORSION SPRING 7                      | 1   | PC.  |
| 27       |      |      | 451392-4 | FOOT                                  | 1   | PC.  |
| 28       |      |      | 266326-2 | TAPPING SCREW 4X18                    | 4   | PC.  |
| 29       |      |      | 590025-7 | FIELD ASS'Y 115V                      | 1   | PC.  |
|          |      | INC. | 654100-4 | RING TERMINAL                         | 2   | PC.  |
|          |      | INC. | 654555-3 | CONNECTOR 34130                       | 2   | PC.  |
| 30       |      |      | 451327-5 | BAFFLE PLATE                          | 1   | PC.  |
| 31       |      |      | 266052-3 | TAPPING SCREW 4X60                    | 2   | PC.  |
| 32       |      |      | 681652-2 | INSULATION WASHER                     | 1   | PC.  |
| 33       |      |      | 210017-7 | BALL BEARING 607DDW                   | 1   | PC.  |
| 34       |      |      | 515791-5 | ARMATURE ASS'Y 115V                   | 1   | PC.  |
|          |      | INC. |          | Item No. 32, 33, 35, 36               |     |      |
| 35       |      |      | 240052-1 | FAN 46                                | 1   | PC.  |
| 36       |      |      | 211088-7 | BALL BEARING 6000DDW                  | 1   | PC.  |
| 37       |      |      | 140201-9 | BRACKET COMPLETE                      | 1   | PC.  |
|          |      | INC. | 263002-9 | RUBBER PIN 4                          | 2   | PC.  |
| 38       |      |      | 266326-2 | TAPPING SCREW 4X18                    | 4   | PC.  |
| 39       |      | 1    | 222163-4 | V PULLEY 4-20L (TYPE1)                | 1   | PC.  |
|          |      | 2    | 222125-2 | V PULLEY 4-20L (TYPE2)                | 1   | PC.  |
| 40       |      |      | 225007-7 | POLY V-BELT 4-241                     | 1   | PC.  |
| 41       |      |      | 451326-7 | BELT COVER                            | 1   | PC.  |
| 42       |      |      | 911128-8 | PAN HEAD SCREW M4X16                  | 1   | PC.  |
| 43       |      | 1    | 222164-2 | V PULLEY 4-37 (TYPE1)                 | 1   | PC.  |
|          |      | 2    | 222126-0 | V PULLEY 4-37 (TYPE2)                 | 1   | PC.  |
| 44       |      |      | 211088-7 | BALL BEARING 6000DDW                  | 1   | PC.  |
| 45       |      |      | 161061-6 | DRUM                                  | 1   | PC.  |
| 46       |      |      | 211032-4 | BALL BEARING 608ZZ                    | 1   | PC.  |
| 48       |      |      | 343433-9 | SET PLATE F/MINI BLADE                | 2   | PC.  |
| 49       |      |      | 345644-2 | ADJUST PLATE                          | 2   | PC.  |
| 50       |      |      | 265132-2 | + PAN HEAD SCREW M4X5                 | 4   | PC.  |

| Item No. | Type | Sub | Part No. | Description                               | Qty | Unit |
|----------|------|-----|----------|---|-----|------|
| 51       | 1    |     | 345007-2 | DRUM PLATE (2PCS/SET)                     | 1   | SET  |
|          | 2    |     | 187679-5 | DRUM PLATE (2PCS/SET)                     | 1   | SET  |
| 52       |      |     | 251609-3 | HEX. FLANGE HEAD BOLT M6X17               | 6   | PC.  |
| 100      |      |     | 652008-6 | PAN HEAD SCREW M3.5X7(FOR SWITCH)         | 2   | PC.  |
| 101      |      |     | 654117-7 | INSULATING TERMINAL(FOR SWITCH)           | 2   | PC.  |
| 102      |      |     | 654558-7 | INSULATED CONNECTOR(FOR SWITCH)           | 1   | PC.  |
| 200      |      |     | 265785-7 | THUMB SCREW M5X10(FOR GUIDE RULE)         | 1   | PC.  |
| 300      |      |     | 870443-8 | CARTON                                    | 1   | PC.  |
| 400      |      |     | 193540-6 | SET PLATE (FOR MINI PLANER BLADE) 2PC/SET | 1   | SET  |

### **ACCESSORIES**

|     |  |      |          |  |   |     |
|-----|--|------|----------|--|---|-----|
| A01 |  |      | 123010-1 | BLADE GAUGE ASS'Y                          | 1 | PC. |
|     |  | INC. | 911228-4 | PAN HEAD SCREW M5X18                       | 2 | PC. |
|     |  | INC. | 411086-3 | GAUGE PLATE                                | 1 | PC. |
| A02 |  |      | 782209-3 | SOCKET WRENCH 9                            | 1 | PC. |
| A03 |  |      | 165581-2 | GUIDE RULE                                 | 1 | PC. |
|     |  |      | 265785-7 | THUMB SCREW M5X10(FOR A03)                 | 1 | PC. |
| A05 |  |      | 824892-1 | PLASTIC CARRYING CASE                      | 1 | PC. |
|     |  | INC. | 163455-1 | LATCH                                      | 2 | PC. |
|     |  | INC. | 419360-3 | HANDLE                                     | 1 | PC. |
| A06 |  |      | D-16966  | 82MM TCT MINI PLANER BLADE 35 DEGREE       | 1 | SET |
|     |  |      | 793322-2 | 3-1/4" MINI PLANER BLADE 50 DEGREE         | 1 | SET |
|     |  |      | A-82921  | 3-1/4" MINI PLANER BLADE 65 DEGREE         | 1 | SET |
|     |  |      | D-17239  | SET PLATE&MINI BLADE SET                   | 1 | SET |
| A07 |  |      | 122793-0 | DUST BAG ASS'Y (use with #451329-1 Nozzle) | 1 | PC. |
|     |  | INC. | 410602-8 | FASTENER                                   | 1 | PC. |
| A08 |  |      | 123004-6 | SHARPENING HOLDER ASS'Y                    | 1 | PC. |
|     |  | INC. | 251920-3 | CAP SQUARE NECK BOLT M6X30                 | 2 | PC. |
|     |  | INC. | 341003-8 | PRESSURE PLATE                             | 1 | PC. |
|     |  | INC. | 934301-3 | WING NUT M6                                | 2 | PC. |
| A09 |  |      | 123060-6 | GUIDE RULE ASS'Y                           | 1 | PC. |
|     |  | INC. | 923211-9 | CAP SQUARE NECK BOLT M5X12                 | 2 | PC. |
|     |  | INC. | 911221-8 | PAN HEAD SCREW M5X16                       | 2 | PC. |
|     |  | INC. | 934201-7 | WING NUT M5                                | 2 | PC. |
| A10 |  |      | 191725-8 | EXTENSION GUIDE SET                        | 1 | SET |
|     |  | INC. | 911201-4 | PAN HEAD SCREW M5X8                        | 2 | PC. |
|     |  | INC. | 252045-6 | SQUARE NUT M5                              | 2 | PC. |
| A11 |  |      | 193540-6 | SET PLATE 82 SET                           | 1 | SET |
| A12 |  |      | 416368-8 | ELBOW                                      | 1 | PC. |
| A13 |  |      | 451329-1 | NOZZLE                                     | 1 | PC. |
| A14 |  |      | 794061-7 | DRESSING STONE 150-1200                    | 1 | PC. |