

GC

# DUO-FAST

**NAIPLERS STAPLERS FASTENERS**

## Heavy Duty Stapler

### KN-1848A KN-1848A/U

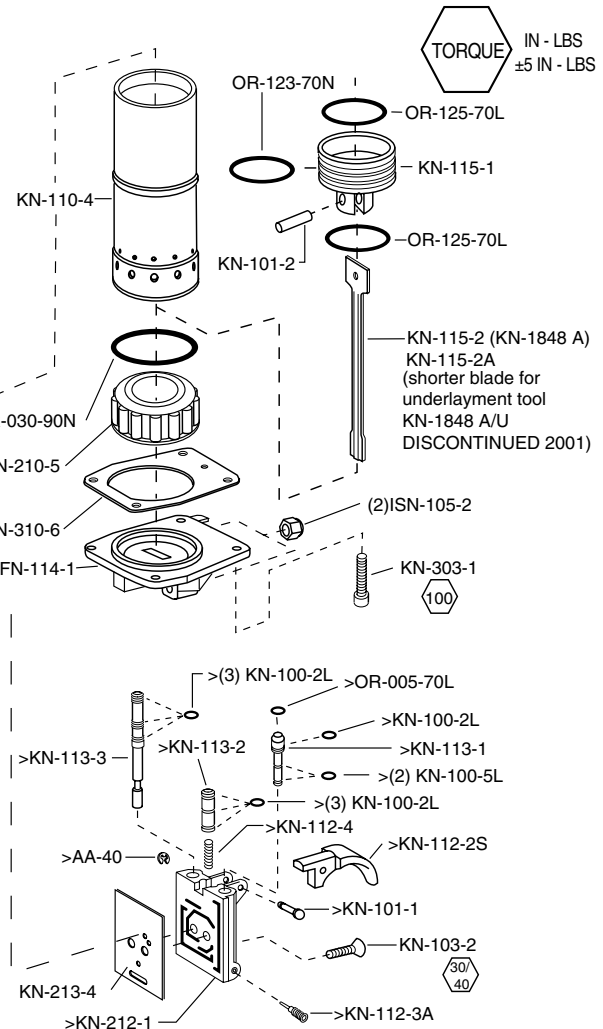
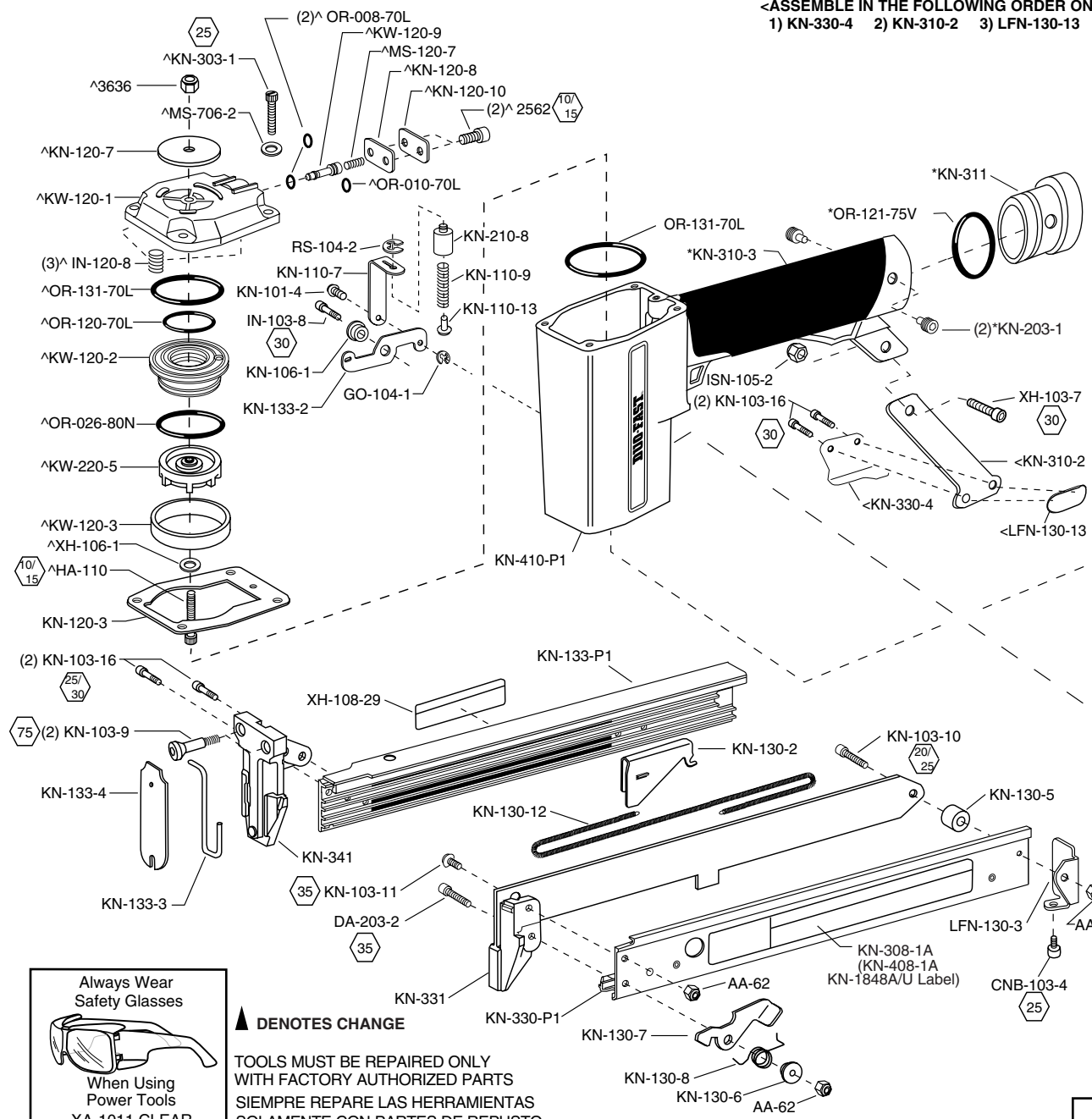
0070565 0221119

DISCONTINUED 2001

DUO-FAST CORPORATION  
AN ITW COMPANY  
2400 GALVIN DRIVE  
ELGIN, ILLINOIS 60123-7883  
U.S.A.

06/02 2002 DUO-FAST Corporation KN-186-1848A

\* PART OF KN-410-P1 HANDLE ASSEMBLY  
 ^PART OF KW-120 CAP ASSEMBLY  
 >PART OF KN-212 VALVE HOUSING ASSEMBLY  
 <ASSEMBLE IN THE FOLLOWING ORDER ONLY:  
 1) KN-330-4 2) KN-310-2 3) LFN-130-13



**TORQUE** IN - LBS  
±5 IN - LBS

Always Wear Safety Glasses

When Using Power Tools  
XA-1011 CLEAR  
XA-1022 TINTED

**▲ DENOTES CHANGE**

TOOLS MUST BE REPAIRED ONLY WITH FACTORY AUTHORIZED PARTS  
 SIEMPRE REPARE LAS HERRAMIENTAS SOLAMENTE CON PARTES DE REPUESTO AUTORIZADAS POR DUO-FAST

**KN-1848A / KN-1848A/U**  
DISCONTINUED 2001

<u>UNIQUE #</u>	<u>PART NO.</u>	<u>DESCRIPTION</u>	<u>REPLACES</u>	<u>UNIQUE #</u>	<u>PART NO.</u>	<u>DESCRIPTION</u>	<u>REPLACES</u>
0383760	2562	SCREW #8-32 X 5/16		0418160	KN-133-3	LOWER YOKE	
0384792	3636	NUT		0418178	KN-133-4	YOKE COVER PLATE	
0390252	AA-40	E-RING		0040022	KN-203-1	DOG POINT SET SCREW	
0390450	AA-62	NUT #8-32		0282905	KN-210-5	BUMPER	
0446526	CNB-103-4	SCREW		0345777	KN-210-8	YOKE SPRING RETAINER	
0402339	DA-203-2	SCREW #8-32 X 7/8		0372730	KN-212	VALVE HOUSING ASSEMBLY	
0410720	GO-104-1	E-RING		0127548	KN-212-1	VALVE HOUSING (MACH)	
0412098	HA-110	SCREW		0098655	KN-213-4	VALVE HOUSING GASKET	
0412627	IN-103-8	8-32 X 1/2 S.H.C. SCREW		0068973	KN-303-1	SCREW	
0413047	IN-120-8	SPRING		0067884	KN-308-1A	MODEL LABEL - KN-1848A	
0413922	ISN-105-2	NUT #10-32		0068221	KN-310-2	HANDLE REAR LEG	
0288381	KN-100-2L	O-RING		0067066	KN-310-3	HANDLE GRIP	
0288332	KN-100-5L	O-RING		0072116	KN-310-6	NOSE PLATE GASKET	
0417154	KN-101-1	TRIGGER PIN		0074328	KN-311	HANDLE PLUG	
0417162	KN-101-2	BLADE RETAINING PIN		0409177	KN-330-P1	MAG. BASE PART. ASM.	
0417188	KN-101-4	YOKE PIVOT PIN		0409136	KN-330-4	BASE STOP	
0417204	KN-103-2	SCREW #8-32 X 3/4 F.H.		0409185	KN-331	TRACK ASM.	
0417246	KN-103-9	SPEC. SHLDR. SCREW #10-32		0409193	KN-341	FRONT NOSE	
0417253	KN-103-10	SCREW #8-32 X 5/16		1011925	KN-408-1A	MODEL LABEL - KN-1848A/U	
0417261	KN-103-11	SCREW #8-32 X 1/2		1011865	KN-410-P1	HANDLE ASSEMBLY	
0417311	KN-103-16	SCREW #8-32 X 7/16		0442608	KW-120	CAP ASSEMBLY	
0417345	KN-106-1	STEP WASHER		0442616	KW-120-1	CAP	
0417410	KN-110-4	CYLINDER SLEEVE		0442632	KW-120-2	POPPET	
0417451	KN-110-7	UPPER YOKE		0442640	KW-120-3	POPPET SEAL	
0417485	KN-110-9	YOKE SPRING		0442665	KW-120-9	DUMP VALVE	
0417501	KN-110-13	SPRING POST		0374512	KW-220-5	EXHAUST SEAL	
0417576	KN-112-2S	TRIGGER		0455774	LFN-114-1	NOSE PLATE	
0417592	KN-112-3A	NEEDLE VALVE		0454108	LFN-130-3	BASE END PLATE	
0417600	KN-112-4	SPRING		0454165	LFN-130-13	WEAR PLATE	
0417626	KN-113-1	CYCLE VALVE		0420331	MS-120-7	SPRING	
0417634	KN-113-2	TRIGGER VALVE		0408302	MS-706-2	WASHER	
0417642	KN-113-3	SAFETY VALVE		0196352	OR-005-70L	O-RING	
0417709	KN-115-1	PISTON		0197186	OR-008-70L	O-RING	
0417717	KN-115-2	DRIVER BLADE (KN-1848 A)		0197194	OR-010-70L	O-RING	
0417733	> KN-115-2A	DRIVER BLADE (KN-1848 A/U)		0442590	OR-026-80N	O-RING	
0417782	KN-120-3	CAP GASKET		0419531	OR-030-90N	O-RING	
0417824	KN-120-7	EXHAUST DEFLECTOR		0201731	OR-120-70L	O-RING	
0417832	KN-120-8	COVER PLATE GASKET		0448860	OR-121-75V	O-RING	
0417857	KN-120-10	DUMP VALVE COVER PLATE		0417147	OR-123-70N	O-RING	
0417907	KN-130-2	PUSHER		0201830	OR-125-70L	O-RING	
0417964	KN-130-5	TRACK SPACER		0202291	OR-131-70L	O-RING	
0417972	KN-130-6	LATCH BUSHING		0443549	RS-104-2	E-RING	
0417998	KN-130-7	LATCH		0456772	XA-1011	SAFETY GLASSES, CLEAR	
0418012	KN-130-8	LATCH SPRING		0277806	XA-1022	SAFETY GLASSES, TINTED	
0418061	KN-130-12	PUSHER SPRING		0456657	XH-103-7	SOCKET HEAD CAP SCREW	
0418202	KN-133-P1	MAGAZINE COVER PART. ASM.		0388009	XH-106-1	WASHER	
0418145	KN-133-2	YOKE CROSS LINK		0353722	XH-108-29	CYCLE LABEL	

\* = NEW PART > = PART CHANGE

KN-1848A

06/02 (14) GC

KN-1848A/U

DISCONTINUED 2001