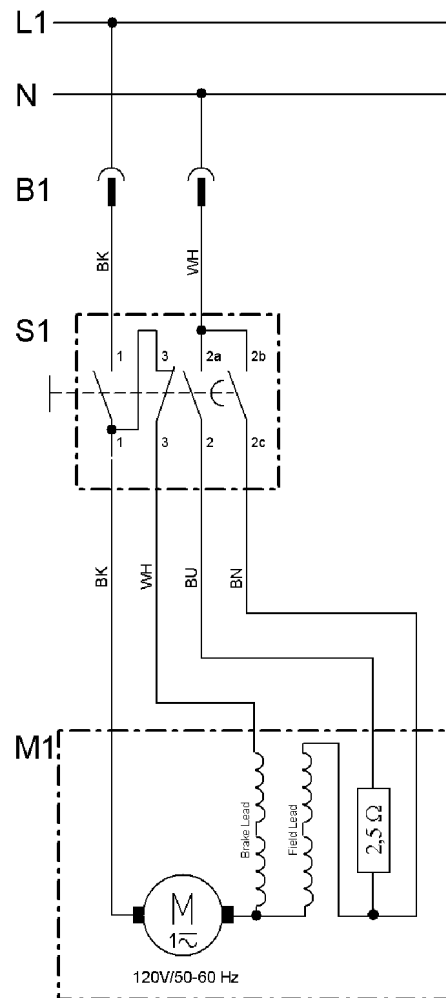


Position	Amount	Type number	Description
1	1	1010708369	ELECTRIC MOTOR 1,8KW 120/1/60 KGS 303 (U)
2	1	7051679711	RETURN SPRING RDA 8X69X0,8 KGT501
3	1	7637651433	SLIDE BUSHING RDI 06 (F.3MM BLECH)
4	1	1382692043	DREHBLECH KGS303 BL 2,50X45X179
5	2	6143124744	HEX. HEAD THREAD ROLLING SCREW
6	1	1382692000	Sperrblech KGS303 BL 2,00x75x135
7	6	6174001900	COUNTERSUNK HEAD TAPPING SCREW
8	1	6121000839	Cap screw
9	1	1482221900	BLADE COLLAR, OUTER
11	1	1485708371	BLADE COLLAR, INNER RD 51,6x5/8" KGS303
12	2	7100047262	DEEP GROOVE BALL BEARING 6X19X6 626 -Z
13	3	6143075247	Cap screw w.internal hexagon
14	1	1381691957	RETRACTABLE BLADE GUARD SEILZUGPRINZIP K
15	1	1010711548	SAW BLADE GUARD ASSEMBLY KGS 303 USA
16	1	1010710266	CABLE WITH PLUG 2X1,5X2850 KGS303(USA)
17	2	6172001830	Fillister head screw
18	1	7632609080	O-RING 4X2,5 80 SHORE A
19	1	7123716854	STEEL BALL RD 12 KGT300
20	1	7051680647	TORSION SPRING RDI 33 KGS303
21	1	1381685795	BUSHING 30/12,3X54 KGS 303
23	4	6122151520	HEXAGON SOCKET HEAD CAP SCREW M 6X16 VER
24	1	1380679805	Kapparm KGS303
25	2	7637685800	SLIDE BUSHING 12X14X15 MIT BUND
26	1	7233710304	Poly-rib belt 7 PJ 381 RIEMENHÖHE 3,5-0,
27	1	1380710281	POLY-RIB PULLEY 7J / RDA 72,5X19,3 KGS30
28	1	1381679922	BELT GUARD KGS303
29	1	6172001791	Fillister head screw w. cross head
30	1	1380679783	SWIVEL CASTING KGS303
31	3	6164029245	Grub screw w.internal hexagon
32	1	1485681953	LOCKING PIN RD 10/6,4X40 KGS303
33	1	1327064092	O-RING 4,0X1,0
34	1	1485681945	SHAFT RD 12X124 KGS303
35	1	1385680577	SHAFT 14HTD5M15 RD25X70,5 KGS303
36	2	6172028215	Fillister head screw
37	1	1482682088	GUARD PLATE BL 1,00X141X262,5 KGS303
38	1	7100017703	DEEP GROOVE BALL BEARING 17X40X12 6203-2
39	1	1385680593	SAW BLADE SPINDLE 20HTD5M15 RD31X57,5 KG
40	1	7231680580	COGGED BELT
41	1	1482680670	WASHER
42	3	6305002460	Washer
43	1	7100136915	DEEP GROOVE BALL BEARING

44	1	6400009897	RETAINING RING FOR SHAFTS
45	1	7051074232	TENSION SPRING
46	1	1482681839	Spindle lock
47	1	9102689833	ALLEN HEXAGON KEY
49	4	6186602763	Fillister head screw w.fill. head screw
50	1	1381679680	HANDLE KGS303
53	1	1381679698	CAP KGS303
54	1	8111708348	Switch On/Of 2-Polig UM 120V Bremsk. KGS
55	1	7100083463	DEEP GROOVE BALL BEARING
56	1	6300016349	MEDIUM WASHER
57	1	1485212970	Spacer sleeve
59	4	6305002486	Washer
60	2	1380679880	STABILISATOR KGS303
61	2	6202002291	HEXAGON NUT, PREV. TORQUE TYPE
62	6	6121000758	HEXAGON SOCKET HEAD CAP SCREW M 6X20 VER
63	2	7632170119	O-RING 22X2
64	4	7121680658	LINEAR BALL BEARING RD 25/35X40 TYP KH 2
65	1	1380679767	Pivot,KGS303
66	1	6150657243	THUMB SCREW M 6X16
67	1	2391203906	PLUG-IN BUFFER
68	1	6143071144	KNURLED THUMB SCREW M 6X25 VERZ.
69	2	1385680631	PISTON ROD RD 25X325 RANDSCHICHTGEHÄRTET
70	2	7123148635	STEEL BALL RD 7,938
71	2	1485215979	LOCK BOLT
72	2	7051683751	PRESSURE SPRING RDA=8,5 LO=25,6 8,5 WIND
73	1	1381679949	TABLE INSERT KGS303
74	1	1381691566	DUST EXTRACTION PORT 44/35-44/32
75	2	6143076260	THREAD ROLLING SCREW M 8X35 - ST VERZ./G
76	2	6306017266	SHIM RING 8X14X1 VERZ.
77	1	7006028220	Clamping lever
78	1	6305002508	WASHER B 13 VERZ.
79	2	6121121296	HEXAGON SOCKET HEAD CAP SCREW
80	1	6208073395	CAP NUT, SELF-LOCKING
81	1	6300686603	WASHER
82	1	1142683519	ANGLE SCALE 0,08X14X96 48-0 0-48 GRAD
83	1	1482683769	SHIM PLATE BL3,00 KGS303
84	4	7057208753	RUBBER FOOT RD 30X17,5 80 SHORE
85	4	6200002219	Hex nut
86	1	1010690141	FENCE, ASSEMBLY ET
87	2	6621075371	BLIND RIVET, MUSHROOM HEAD 5X8 F FLACHRU
88	1	1482683505	SHIM PLATE BL2,00 KGS303
89	1	1380715097	TABLE KPL. M.AUFKLEBERN KGS303-USA

90	1	7053010088	CUP SPRING
91	1	6202002313	HEXAGON NUT, PREV. TORQUE TYPE
92	1	6205029131	HEXAGON THIN NUT
93	3	2391202772	GLIDE PIECE
94	1	6202024139	HEXAGON NUT, PREV. TORQUE TYPE
95	1	6103122986	HEXAGON HEAD SCREW M 8X85 VERZ.
96	1	1482681979	POINTER BL 2,00X12X46 KGS303
97	1	7051683611	PRESSURE SPRING RDA=8,5 LO=17,7 5,5 WIND
99	1	1482681987	ANGLE POINTER BL 1,50X10X21,5 KGS303
100	1	1385682006	DREHTELLERBOLZEN KGS303 RD 16/M10X63
101	1	1380703943	TURNTABLE KGT300
102	1	1385682014	CLAMPING ROD RD 8X185,5 KGS303
103	1	1485683840	WASHER RDA44XRD19X4 KGS 303
104	1	1388698264	KNOB, RED
105	1	6161132754	HEX. SOCKET SET SCREW, FLAT PT
106	1	1482682029	CLAMPING PLATE BL 2,00X35X68,5 KGS303
107	1	1385681999	Swivel arm bold RD 16,3/M12X122 KGS303
108	2	6143142823	THREAD ROLLING SCREW A M 5X12 - ST-Z VER
109	2	6164686599	HEX. SOCKET SET SCREW, DOG PT. M 8X6 VER
110	1	1482684412	TUBBING PLATE BL 2,99X59,4X107 KGS303
111	1	7238692053	BLADE GUARD WIRE RD 1,2X286,5 KGS 303
112	1	6131001531	CROSS RECESSED FLAT HEAD SCREW M 4X8 VER
113	1	7056691507	UNION 18X21
114	1	1010692063	RETRACTABLE BLADE GUARD MIT FEINDRAHTSEI
115	1	1010692012	Sperrblech mit Lager KGS 303
116	1	6241125040	KNURLED THUMB NUT, HIGH TYPE M 5
121	1	1010708393	ACCESSORY BA VORSATZPROFIL KGS303



	Colour of strands	Couleur des cordons	Colores de los cordones
BK	black	noir	negro
WH	white	blanc	blanco
BU	blue	bleu	azul
YE	yellow	jaune	amarillo
RD	red	rouge	rojo
TR	transparent	transparent	transparente
BN	brown	brun	marrón
GY	grey	gris	gris
GNYE	green-yellow	vert-jaune	verde-amarillo
BKWH	black-white	noir-blanc	negro-blanco
GN	green	vert	verde
OG	orange	orange	naranja
VT	violet	violet	violeta
TQ	turquoise	turquoise	turquesa

	Meaning of the symbols	Interprétation des symboles	Significado de las abreviaturas
B	plug	fiche	Clavija de enchufe
C	condenser	condensateur	Condensador
D	interference suppression inductance	inductance d'antiparasitage	Choque antiparasitario
E	electronic unit	unité électronique	Unidad electrónica
I	induction coil	bobine d'inductance	Bobina de inducción
K	terminal	borne	Borne
L	light	lumière	Luz
M	motor	moteur	Motor
O	overload cut-out	déclencheur de surintensité	Protección contra sobrecargas
R	reversing switch	commutateur droite-gauche	Conmutador de inversión de marcha
S	switch	interrupteur	Interruptor
U	change-over switch	commutateur	Conmutador
X	electronic element	élément électronique	Elemento electrónico