

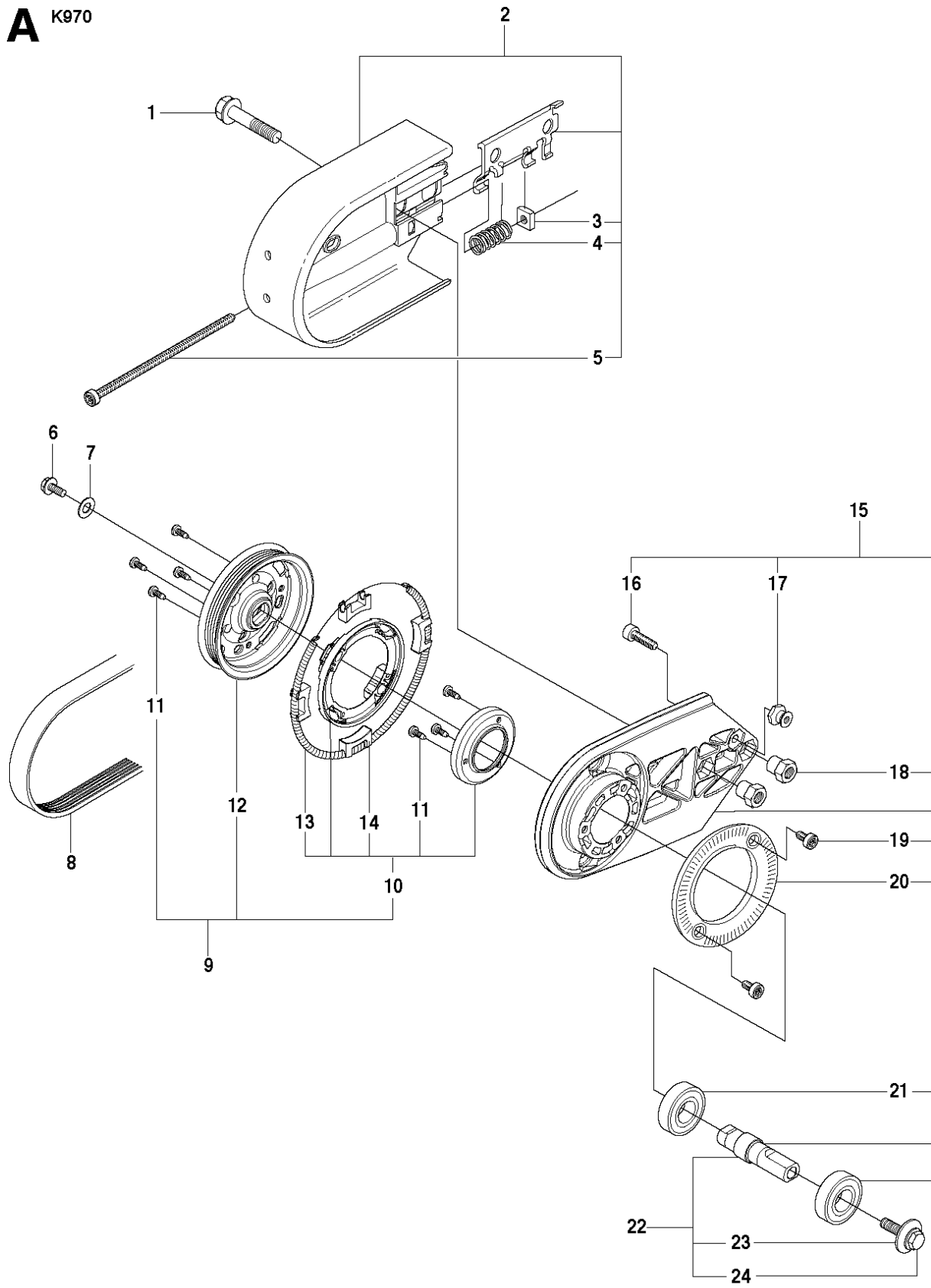


SPARE PARTS LIST

POWER CUTTERS

K970, K970 RESCUE, 575697201,
2010-05

A K970

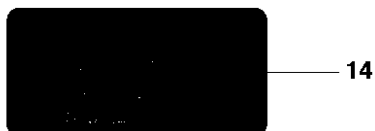
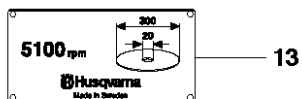
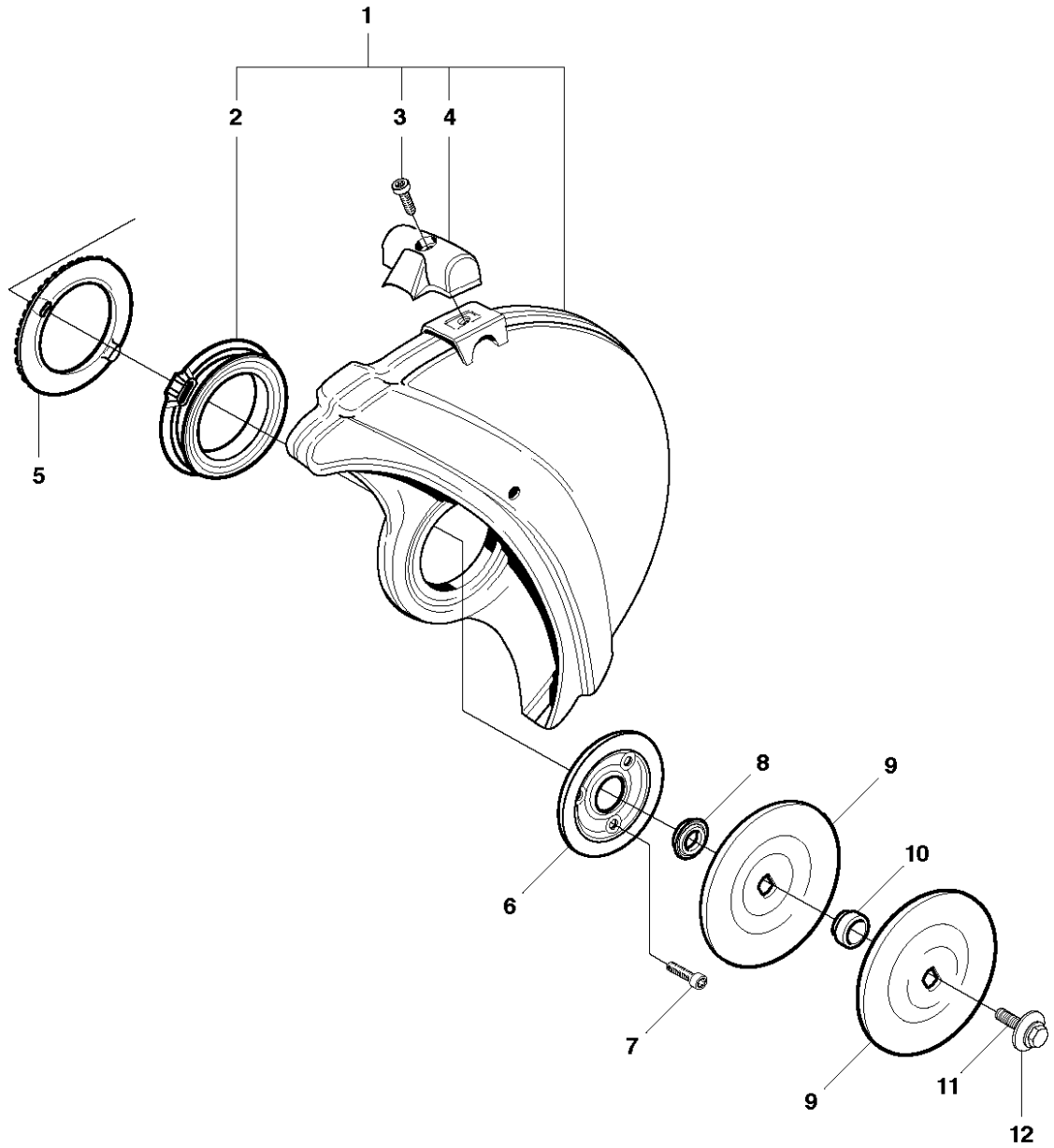


BELT GUARD & PULLEY

K970, K970 RESCUE, 575697201, 2010-05

| Ref | Part No | Description | Remark | QTY KIT |
|-----|--------------|--------------------|----------|---------|
| 1 | 506 28 44-01 | SCREW EHHFM | | 2 |
| 2 | 506 39 36-02 | BELT GUARD | | 1 |
| 3 | 506 40 93-01 | NUT | | 1 |
| 4 | 506 26 68-01 | COMPRESSION SPRING | | 1 |
| 5 | 503 20 72-05 | SCREW CITXSCM | | 1 |
| 6 | 503 20 00-45 | SCREW EHHFM | | 1 |
| 7 | 503 23 01-16 | WASHER | | 1 |
| 8 | 544 90 84-03 | BELT | 12", 14" | 1 |
| 8 | 544 90 84-04 | BELT | 16" | 1 |
| 9 | 504 03 70-07 | PULLEY | | 1 |
| 10 | 505 44 54-03 | CASSETTE | | 1 |
| 11 | 503 21 28-10 | SCREW CCRPANT | | 7 |
| 12 | 504 06 22-01 | PULLEY | | 1 |
| 13 | 544 44 10-01 | DRAW SPRING | | 1 |
| 14 | 544 44 04-02 | BRAKE SHOE | | 4 |
| 15 | 506 39 42-08 | BEARING HOUSING | | 1 |
| 16 | 505 57 41-16 | SCREW ITXSCM | | 1 |
| 17 | 506 14 32-01 | TORSION STOP | | 1 |
| 18 | 506 28 73-01 | NUT | | 2 |
| 19 | 503 21 53-10 | SCREW ITXSCM | | 2 |
| 20 | 506 28 84-01 | SCREEN | | 1 |
| 21 | 583 95 33-01 | BALL BEARING | | 2 |
| 22 | 506 29 83-65 | SHAFT | | 1 |
| 23 | 506 13 95-11 | WASHER | | 1 |
| 24 | 506 13 96-01 | SCREW EHHFM | | 1 |
| 25 | 506 30 97-05 | LABEL | | 1 |

B K970

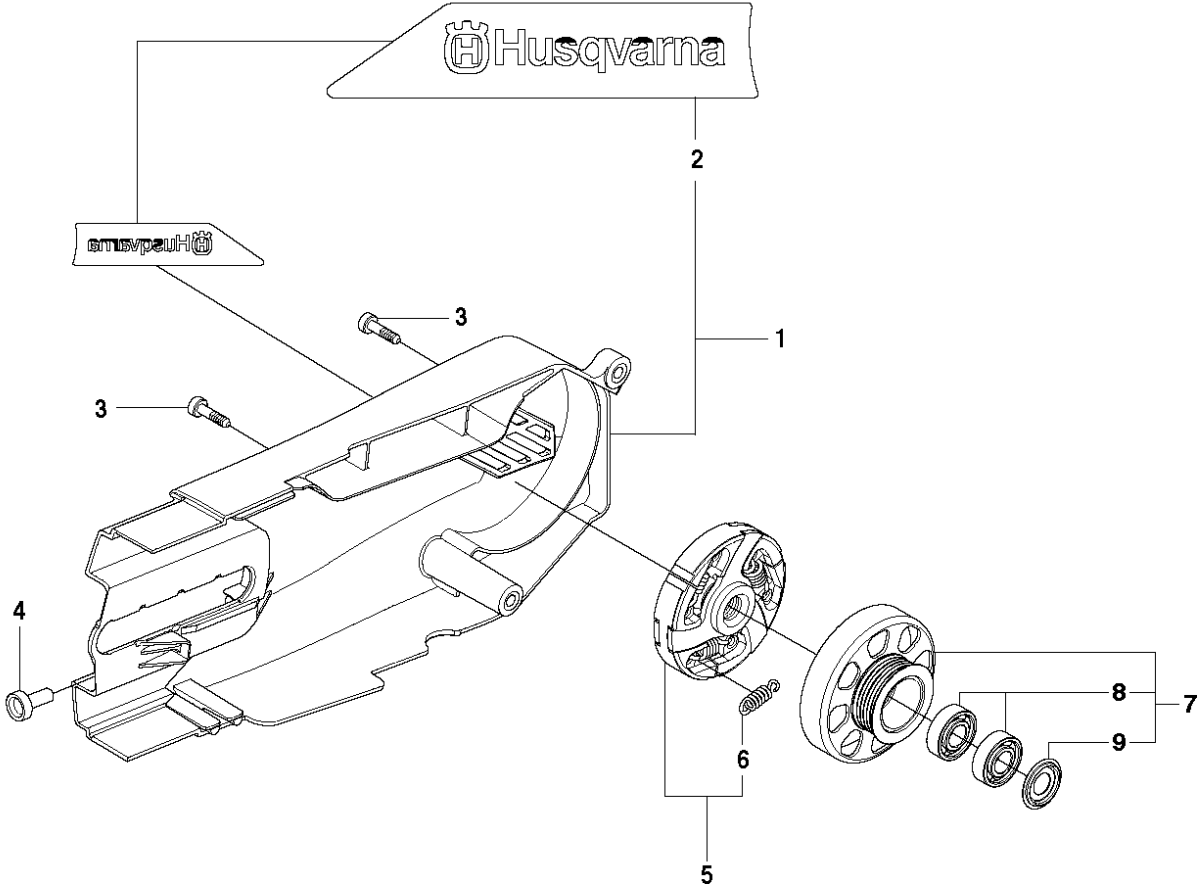


GUARDS

K970, K970 RESCUE, 575697201, 2010-05

| Ref | Part No | Description | Remark | QTY KIT |
|-----|--------------|----------------|--------|---------|
| 1 | 506 34 05-42 | BLADE GUARD | 12" | 1 |
| 1 | 506 34 05-44 | BLADE GUARD | 14" | 1 |
| 1 | 506 34 05-46 | BLADE GUARD | 16" | 1 |
| 2 | 506 26 63-02 | LINING | | 1 |
| 3 | 503 21 53-20 | SCREW ITXSCM | | 1 |
| 4 | 506 34 46-02 | HANDLE | | 1 |
| 5 | 506 26 64-01 | SCREEN | | 1 |
| 6 | 506 26 65-01 | FLANGE | | 1 |
| 7 | 505 57 41-16 | SCREW ITXSCM | | 3 |
| 8 | 506 32 48-01 | SUPPORT FLANGE | | 1 |
| 9 | 506 02 87-01 | FLANGE WASHER | | 1 |
| 9 | 506 07 09-01 | FLANGE WASHER | | 1 |
| 10 | 506 37 96-20 | KIT | | 1 |
| 10 | 506 37 96-22 | KIT | | 1 |
| 10 | 506 37 96-25 | KIT | | 1 |
| 10 | 506 02 88-30 | BUSHING | | 1 |
| 11 | 506 13 96-01 | SCREW EHHFM | | 1 |
| 12 | 506 13 95-11 | WASHER | | 1 |
| 13 | 506 28 41-02 | LABEL | | 1 |
| 13 | 506 28 41-04 | LABEL | | 1 |
| 13 | 506 28 41-12 | LABEL | | 1 |
| 13 | 506 28 41-14 | LABEL | | 1 |
| 13 | 506 28 41-22 | LABEL | | 1 |
| 13 | 506 28 41-24 | LABEL | | 1 |
| 14 | 576 12 10-02 | DECAL | | 1 |
| 14 | 576 12 10-03 | DECAL | | 1 |

C K970

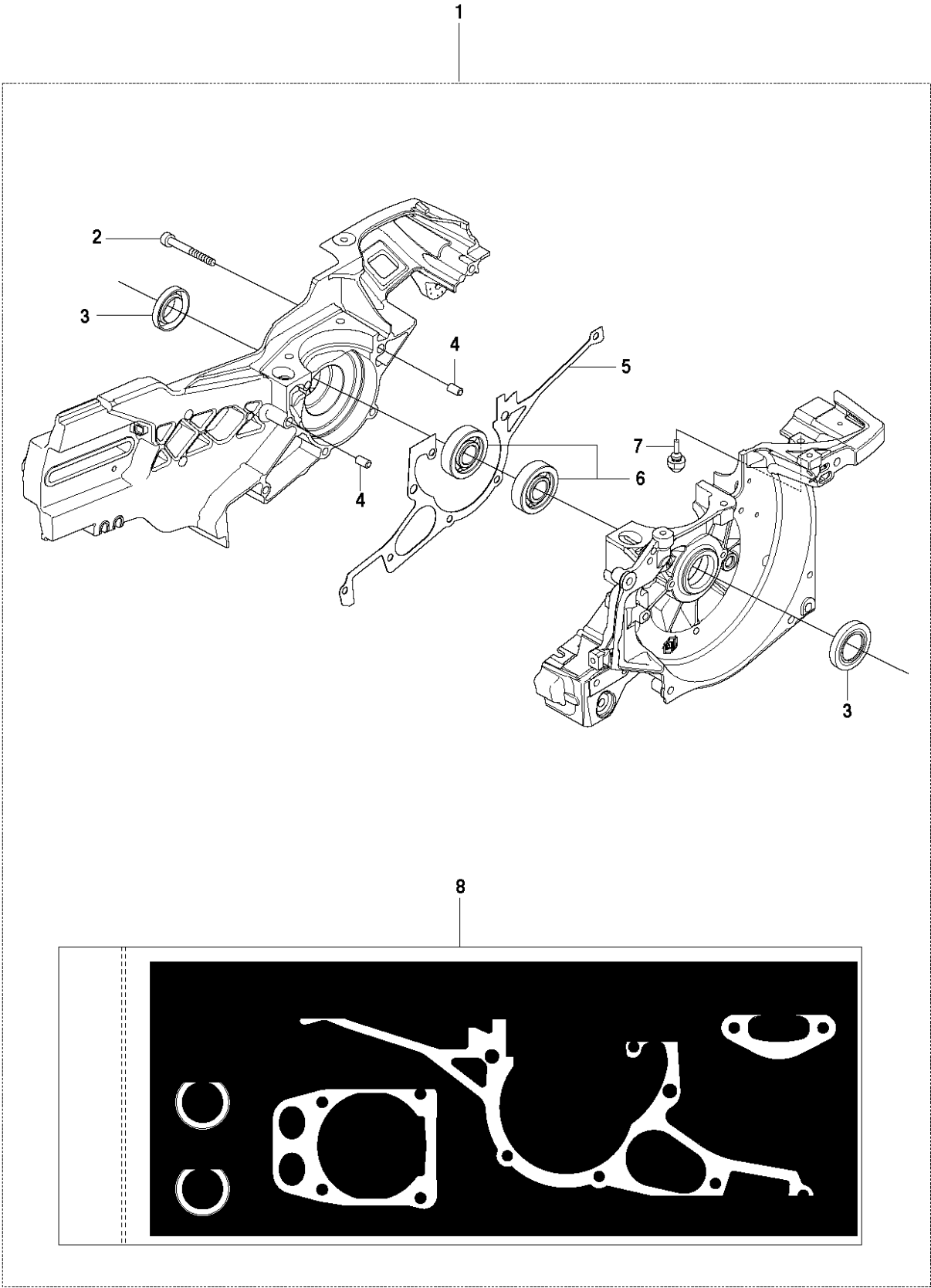


CLUTCH

K970, K970 RESCUE, 575697201, 2010-05

| Ref | Part No | Description | Remark | QTY KIT |
|-----|--------------|---------------------|----------|---------|
| 1 | 510 21 34-01 | BELT GUARD ASSY | | 1 |
| 2 | 544 93 31-01 | LABEL | | 1 |
| 3 | 503 21 53-21 | SCREW ITXSCM | | 2 |
| 4 | 544 36 64-01 | LINING | | 1 |
| 5 | 503 70 15-01 | CLUTCH ASSY | | 1 |
| 6 | 503 14 51-01 | CLUTCH SPRING | | 3 |
| 7 | 502 28 92-02 | DRIVING PULLEY ASSY | 12", 14" | 1 |
| 7 | 574 26 73-01 | DRIVING PULLEY ASSY | 16" | 1 |
| 8 | 525 83 18-01 | BALL BEARING | | 2 |
| 9 | 506 31 69-01 | DUST COVER | | 1 |

D K970

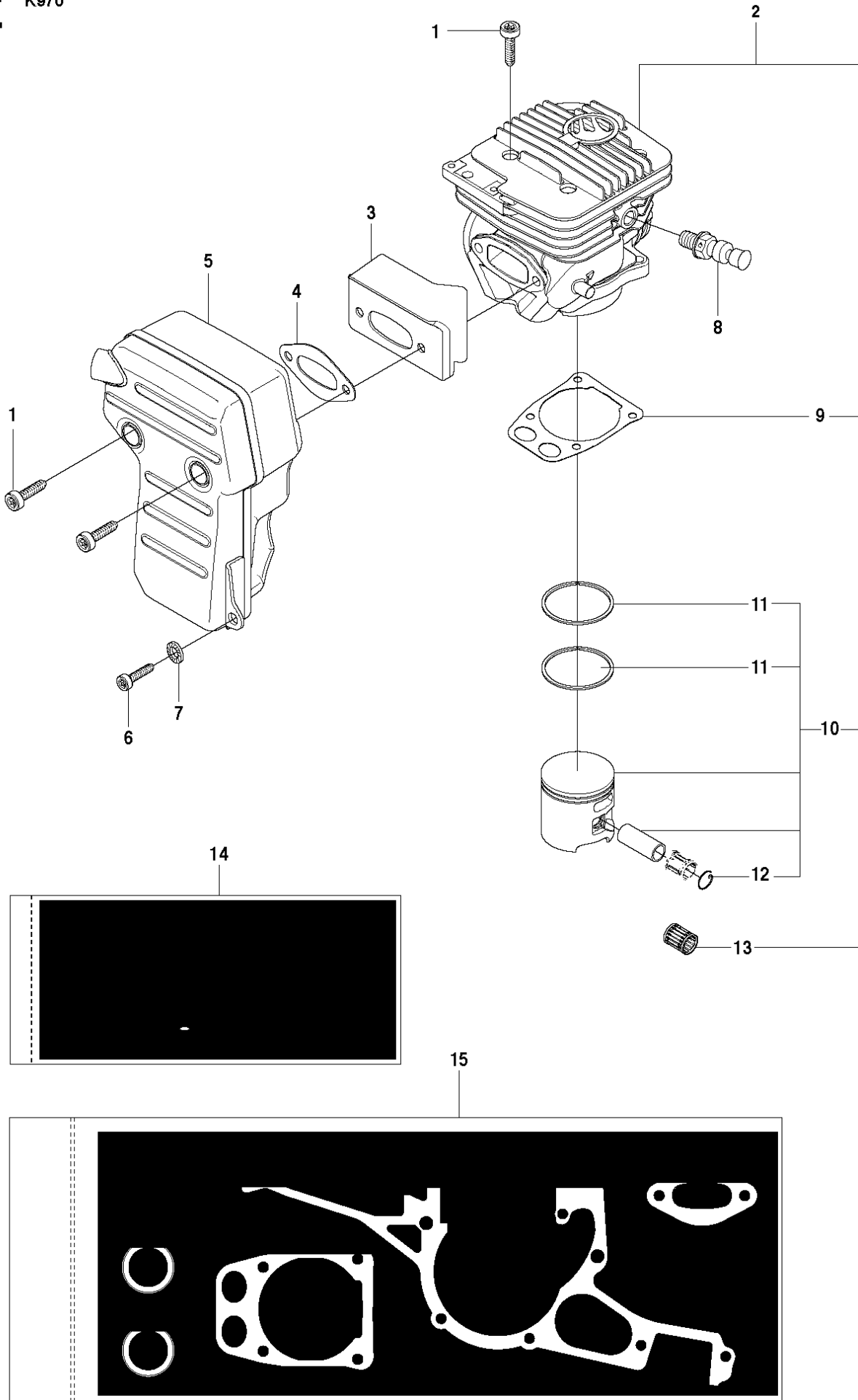


CRANKCASE

K970, K970 RESCUE, 575697201, 2010-05

| Ref | Part No | Description | Remark | QTY KIT |
|-----|--------------|----------------|--------|---------|
| 1 | 586 36 39-07 | CRANKCASE ASSY | | 1 |
| 2 | 503 21 53-49 | SCREW ITXSCM | | 7 |
| 3 | 503 26 02-04 | SEALING RING | | 2 |
| 4 | 501 27 08-01 | GUIDE BUSHING | | 2 |
| 5 | 506 41 39-04 | GASKET | | 1 |
| 6 | 503 25 00-02 | BALL BEARING | | 2 |
| 7 | 522 85 61-01 | RUBBER BUSHING | | 1 |
| 8 | 544 22 98-03 | GASKET KIT | | 1 |
| 9 | 576 49 94-01 | GASKET | | 1 |
| 10 | 506 37 81-01 | GASKET | | 1 |

E K970

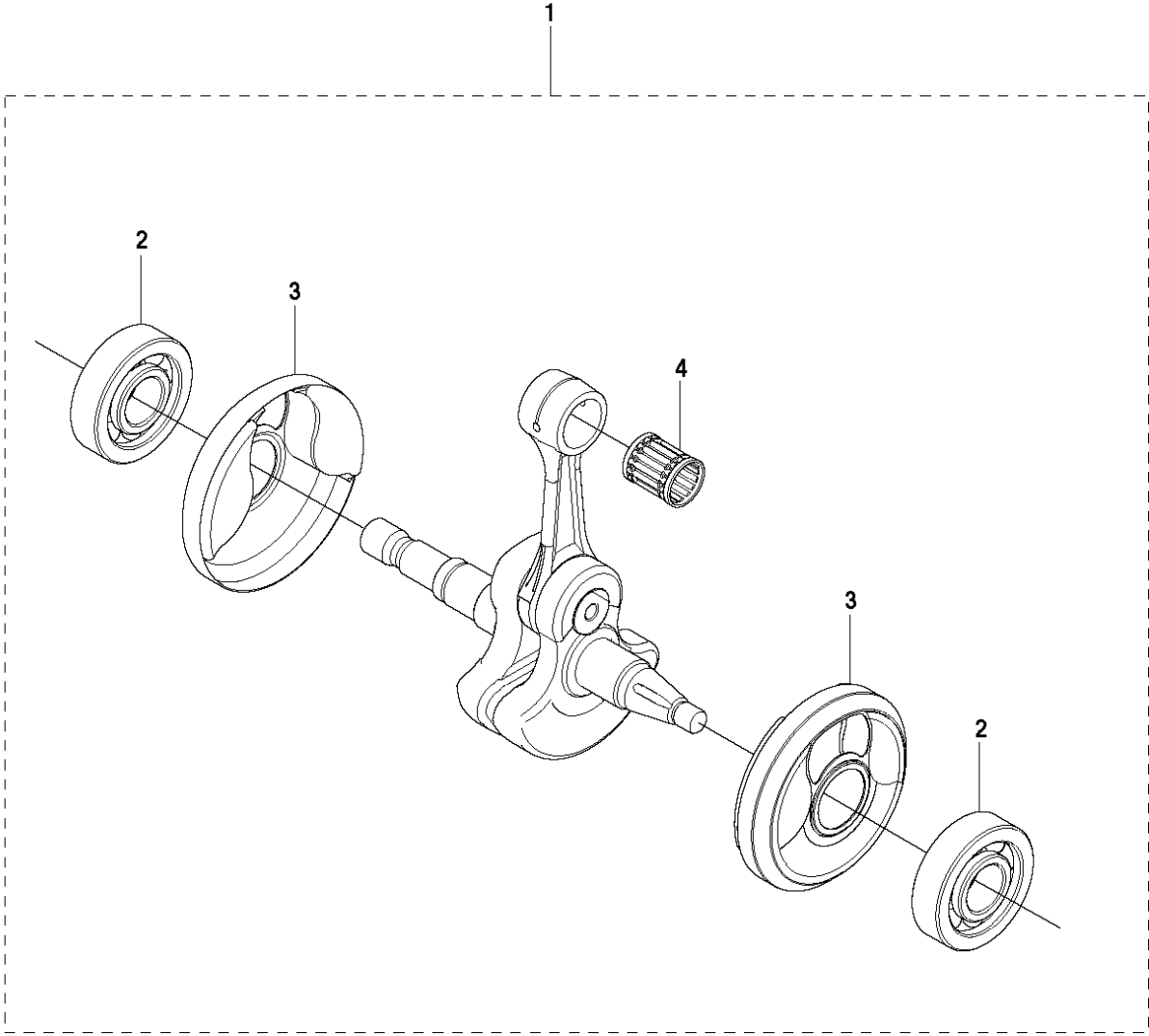


MUFFLER

K970, K970 RESCUE, 575697201, 2010-05

| Ref | Part No | Description | Remark | QTY KIT |
|-----|--------------|---------------------|--------|---------|
| 1 | 544 21 84-01 | SCREW ITXSCM | | 6 |
| 2 | 544 93 56-05 | CYLINDER ASSY | | 1 |
| 3 | 544 21 52-01 | HEAT DEFLECTOR | | 1 |
| 4 | 506 37 81-01 | GASKET | | 1 |
| 5 | 506 37 28-01 | MUFFLER ASSY | | 1 |
| 6 | 503 21 53-25 | SCREW ITXSCM | | 1 |
| 7 | 503 23 04-02 | WASHER | | 1 |
| 8 | 503 66 56-01 | DECOMPRESSION VALVE | | 1 |
| 9 | 576 49 94-01 | GASKET | | 1 |
| 10 | 506 41 32-02 | PISTON | | 1 |
| 11 | 503 28 90-35 | PISTON RING | | 2 |
| 12 | 737 44 13-00 | CIRCLIP | | 2 |
| 13 | 503 25 61-01 | NEEDLE BEARING | | 1 |
| 14 | 505 25 96-03 | GASKET KIT | | 1 |
| 15 | 544 22 98-03 | GASKET KIT | | 1 |
| 16 | 503 26 02-05 | SEALING RING | | 2 |
| 17 | 506 41 39-04 | GASKET | | 1 |

F K970

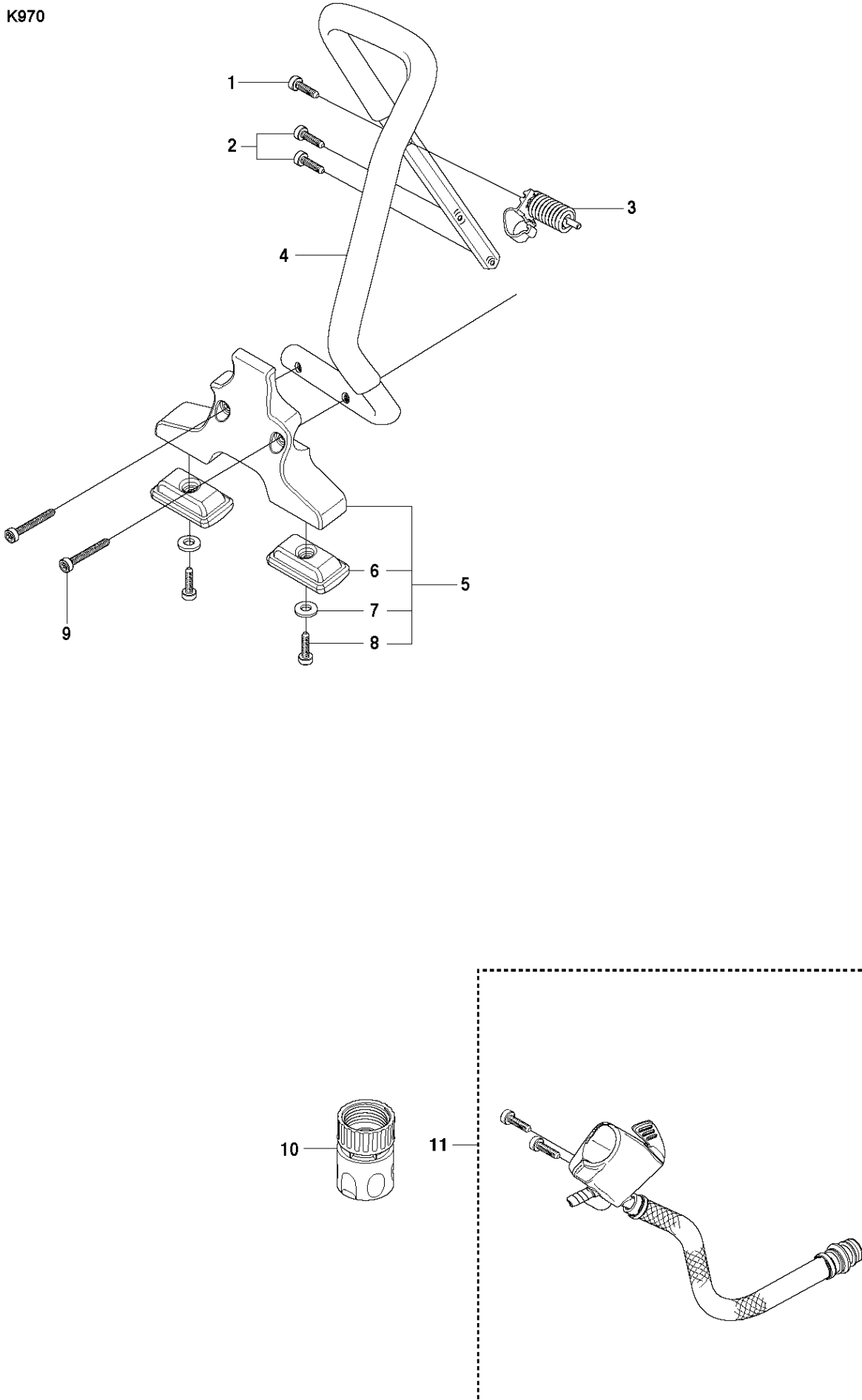


CRANKSHAFT

K970, K970 RESCUE, 575697201, 2010-05

| Ref | Part No | Description | Remark | QTY KIT |
|-----|--------------|-----------------|--------|---------|
| 1 | 574 26 76-01 | CRANKSHAFT ASSY | | 1 |
| 2 | 503 25 00-02 | BALL BEARING | | 2 |
| 3 | 506 41 44-01 | CUP | | 2 |
| 4 | 503 25 61-01 | NEEDLE BEARING | | 1 |

G K970

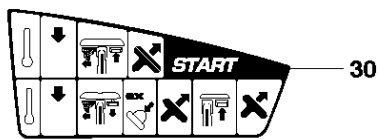
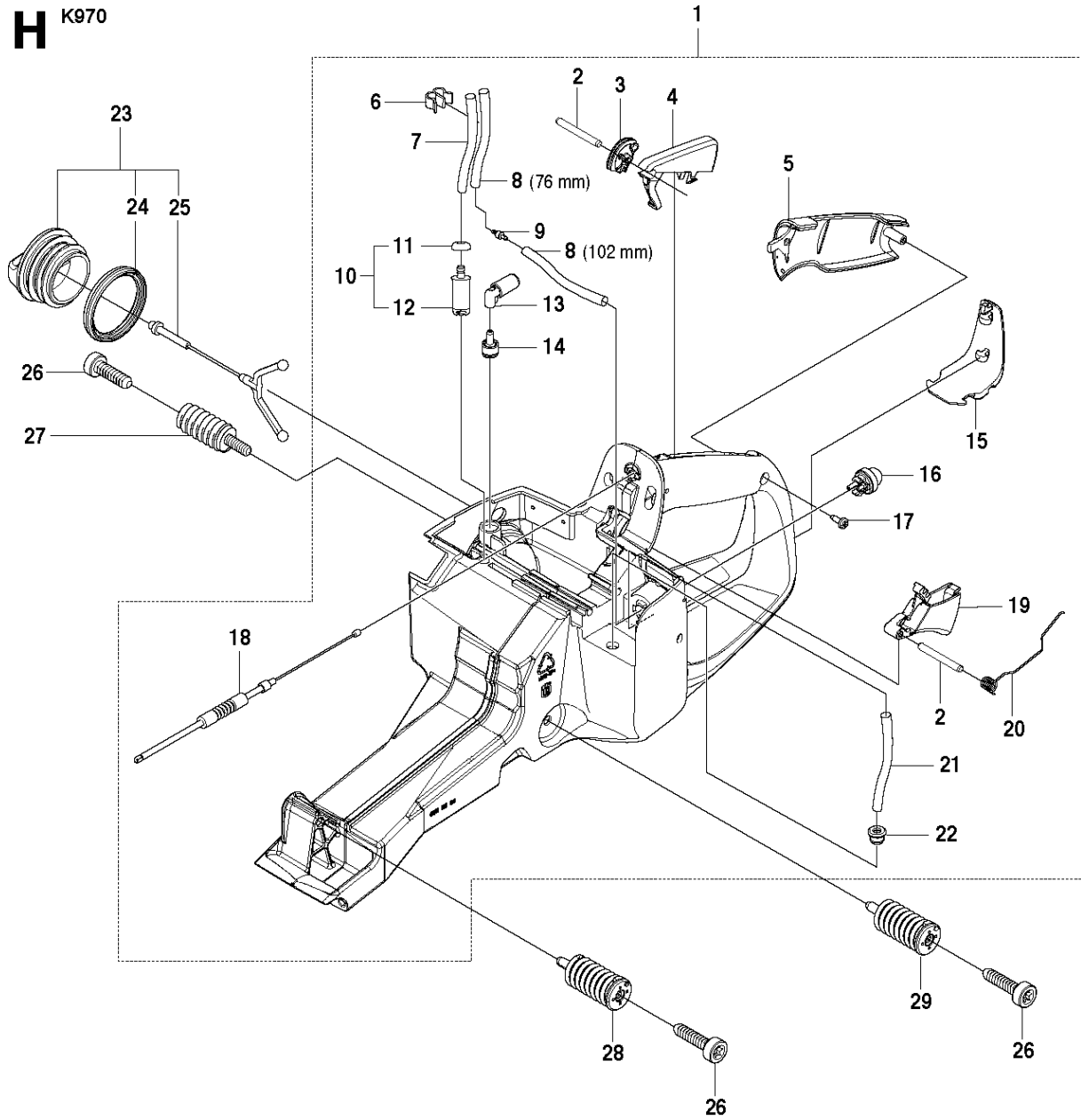


HANDLE

K970, K970 RESCUE, 575697201, 2010-05

| Ref | Part No | Description | Remark | QTY KIT |
|-----|--------------|-----------------------|--------|---------|
| 1 | 544 06 12-01 | SCREW ITXSCM | | 1 |
| 2 | 503 21 54-20 | SCREW ITXSCT | | 2 |
| 3 | 505 42 45-02 | ANTIVIBRATION ELEMENT | | 1 |
| 4 | 505 26 89-01 | HANDLE | | 1 |
| 5 | 544 89 15-01 | GROUND SUPPORT | | 1 |
| 6 | 544 81 16-01 | BASE | | 2 |
| 7 | 734 11 47-41 | WASHER | | 2 |
| 8 | 503 21 53-12 | SCREW ITXSCM | | 2 |
| 9 | 503 21 54-45 | SCREW ITXSCT | | 2 |
| 10 | 503 26 60-03 | COUPLER | | 1 |
| 10 | 503 26 60-04 | COUPLER | | 1 |
| 11 | 505 09 55-01 | HOSE KIT | | 1 |

H K970

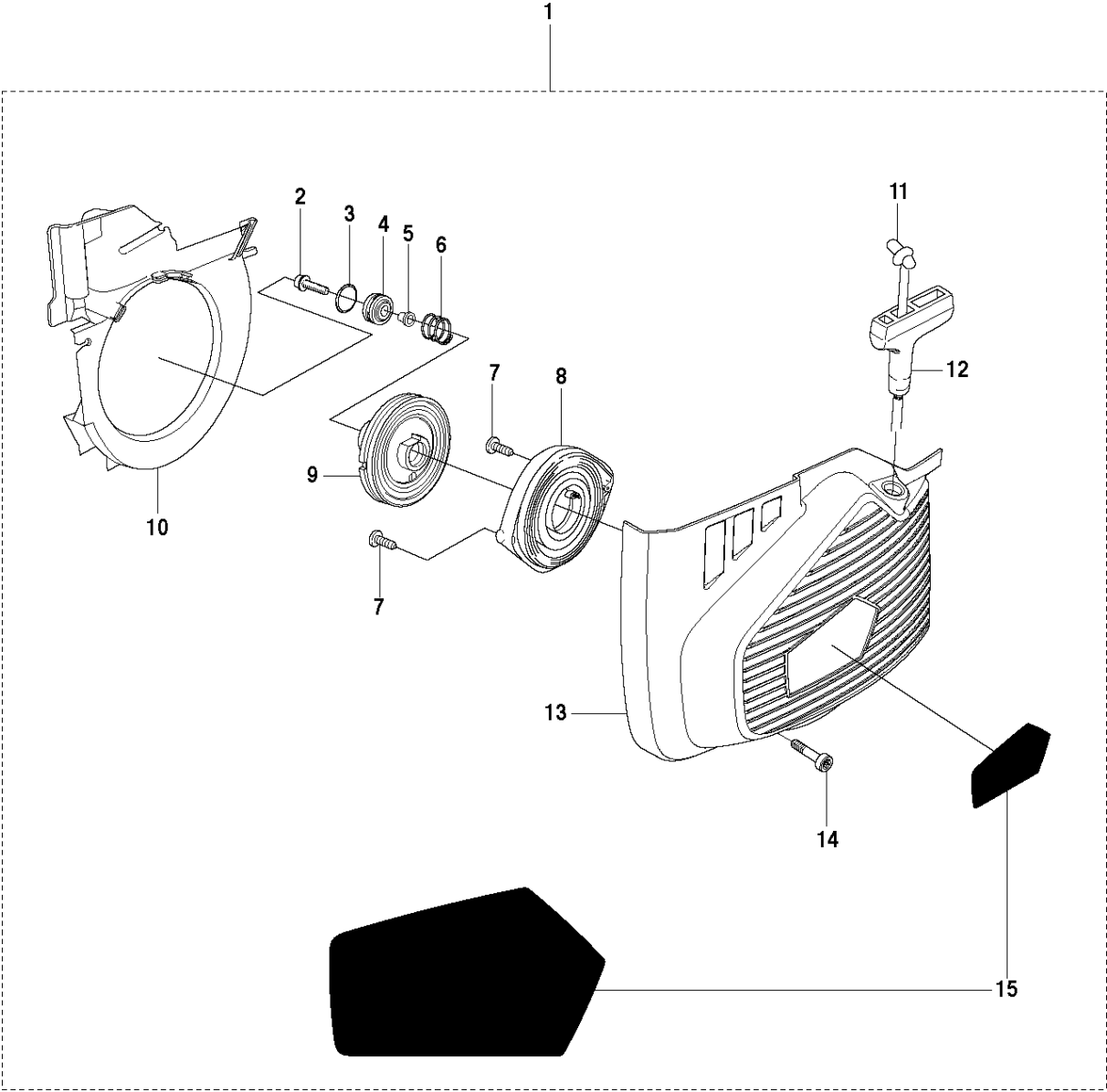


FUEL TANK

K970, K970 RESCUE, 575697201, 2010-05

| Ref | Part No | Description | Remark | QTY KIT |
|-----|--------------|-----------------------|--------|---------|
| 1 | 574 50 58-04 | FUEL TANK ASSY | | 1 |
| 2 | 720 12 40-20 | PARALLEL PIN | | 2 |
| 3 | 537 20 85-01 | CABLE LEVER | | 1 |
| 4 | 510 25 52-01 | THROTTLE LOCKOUT | | 1 |
| 5 | 537 20 56-01 | COVER | | 1 |
| 6 | 574 44 42-01 | CLIP | | 1 |
| 7 | 544 32 50-02 | FUEL HOSE | | 1 |
| 8 | 537 04 24-04 | FUEL HOSE | | 1 |
| 9 | 575 52 65-01 | CHECK VALVE | | 1 |
| 10 | 506 26 41-11 | FUEL FILTER | | 1 |
| 11 | 506 27 11-01 | HOSE CLAMP | | 1 |
| 12 | 506 26 41-01 | FUEL FILTER | | 1 |
| 13 | 522 79 96-01 | HOLDER ASSY | | 1 |
| 14 | 537 35 95-01 | TANK VENT ASSY | | 1 |
| 15 | 502 47 16-01 | GROUND SUPPORT | | 1 |
| 16 | 540 05 49-02 | AIR PURGE | | 1 |
| 17 | 503 21 28-10 | SCREW CCRPANT | | 1 |
| 18 | 576 49 04-01 | THROTTLE CABLE ASSY | | 1 |
| 19 | 502 47 18-01 | THROTTLE CONTROL | | 1 |
| 20 | 537 20 98-01 | SPRING | | 1 |
| 21 | 544 32 49-30 | FUEL HOSE | | 1 |
| 22 | 503 73 58-01 | BUSHING | | 1 |
| 23 | 506 25 59-03 | TANK CAP ASSY | | 1 |
| 24 | 506 29 21-01 | GASKET | | 1 |
| 25 | 503 57 89-01 | HOLDER | | 1 |
| 26 | 544 06 12-01 | SCREW ITXSCM | | 3 |
| 27 | 537 21 03-09 | ANTIVIBRATION ELEMENT | | 1 |
| 28 | 537 21 03-10 | ANTIVIBRATION ELEMENT | | 1 |
| 29 | 537 21 03-05 | ANTIVIBRATION ELEMENT | | 1 |
| 30 | 525 57 20-01 | DECAL | | 1 |
| 31 | 506 31 30-01 | LABEL | | 1 |

J K970

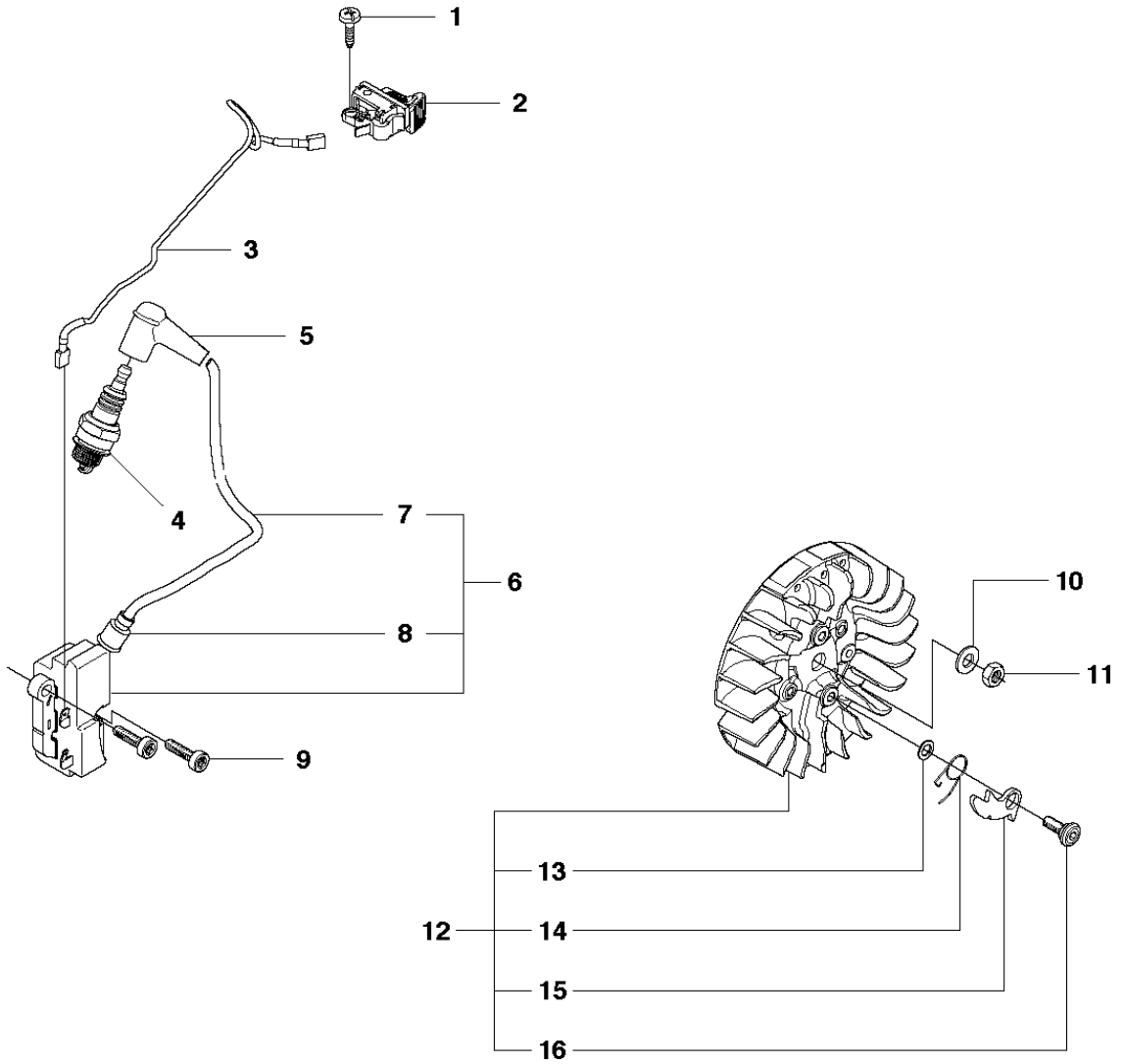


STARTER

K970, K970 RESCUE, 575697201, 2010-05

| Ref | Part No | Description | Remark | QTY KIT |
|-----|--------------|--------------------|--------|---------|
| 1 | 574 50 73-03 | STARTER ASSY | | 1 |
| 2 | 503 21 07-22 | SCREW IHST | | 1 |
| 3 | 740 43 13-00 | O-RING | | 1 |
| 4 | 506 25 14-01 | GROMMET | | 1 |
| 5 | 506 26 31-01 | SPACING SLEEVE | | 1 |
| 6 | 506 25 30-01 | COMPRESSION SPRING | | 1 |
| 7 | 503 21 28-10 | SCREW CCRPANT | | 2 |
| 8 | 506 25 89-01 | RECOIL SPRING | | 1 |
| 9 | 506 25 81-02 | STARTER PULLEY | | 1 |
| 10 | 544 28 75-02 | AIR CONDUCTOR | | 1 |
| 11 | 506 33 56-15 | CORD | | 1 |
| 11 | 506 33 56-50 | STARTER CORD | | 1 |
| 12 | 503 12 79-01 | STARTER HANDLE | | 1 |
| 13 | 505 34 94-01 | STARTER COVER | | 1 |
| 14 | 501 98 10-20 | SCREW ITXSCM | | 4 |
| 15 | 525 57 11-01 | DECAL | | 1 |

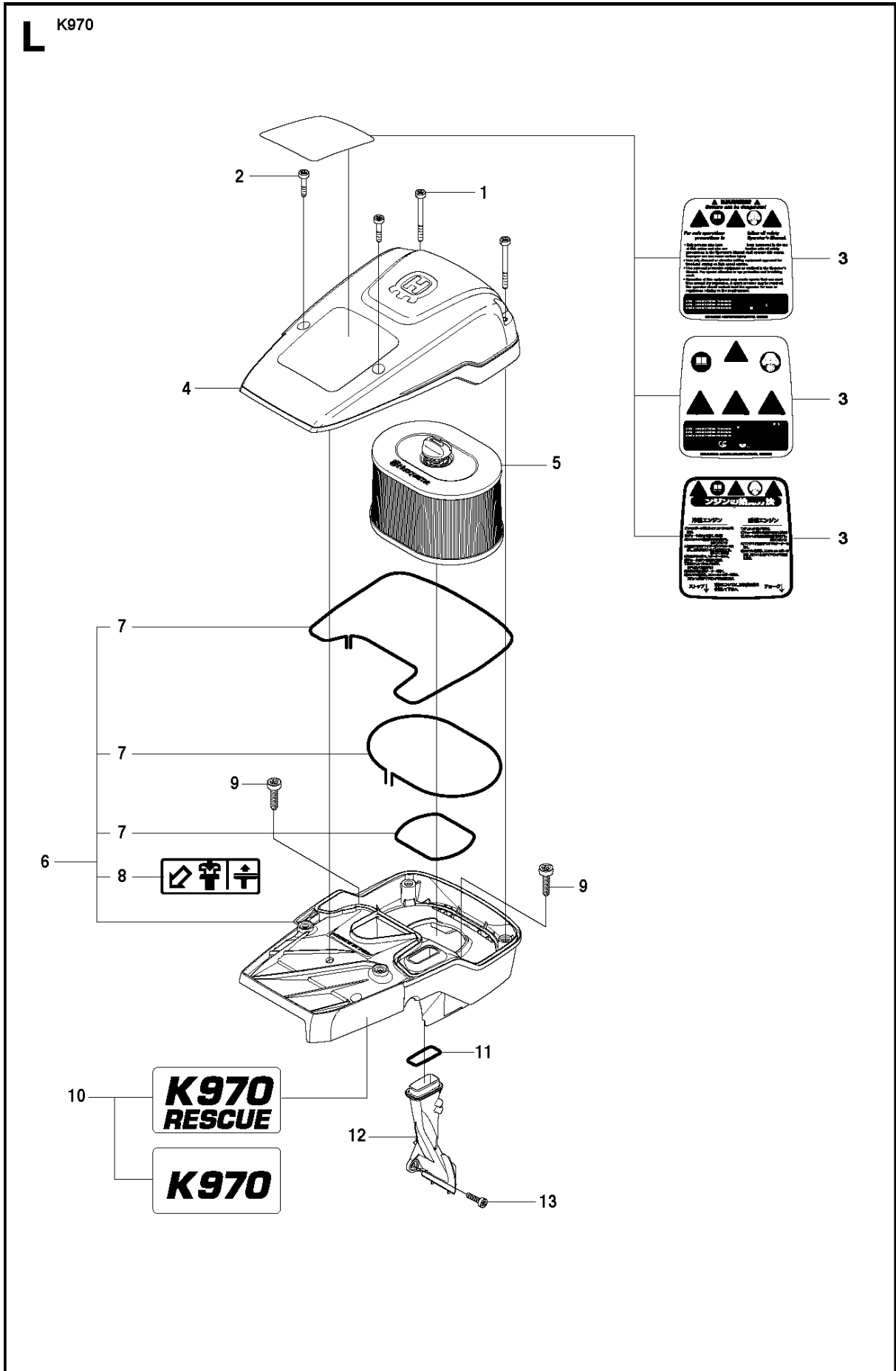
K K970



IGNITION SYSTEM

K970, K970 RESCUE, 575697201, 2010-05

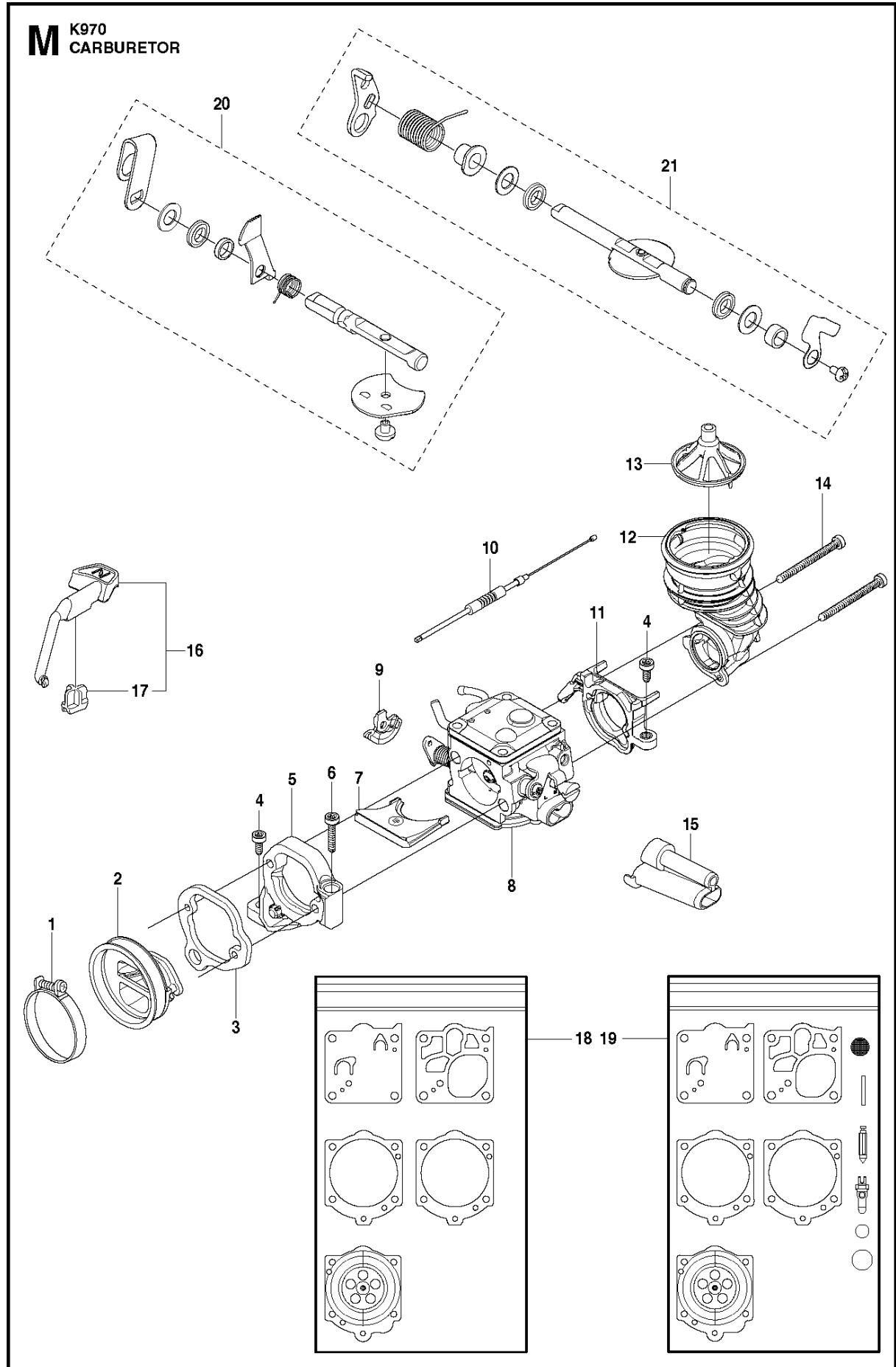
| Ref | Part No | Description | Remark | QTY KIT |
|-----|--------------|-----------------|--------|---------|
| 1 | 503 21 28-06 | SCREW CCRPANT | | 1 |
| 2 | 506 31 86-02 | STOP SWITCH | | 1 |
| 3 | 501 83 98-01 | CABLE | | 1 |
| 4 | 503 23 51-09 | SPARK PLUG | | 1 |
| 5 | 501 48 54-02 | SPARK PLUG CAP | | 1 |
| 6 | 510 11 56-01 | IGNITION MODULE | | 1 |
| 7 | 506 38 78-34 | IGNITION CABLE | | 1 |
| 8 | 505 27 75-16 | ISOLERHATT | | 1 |
| 9 | 503 21 53-20 | SCREW ITXSCM | | 2 |
| 10 | 503 23 01-01 | WASHER | | 1 |
| 11 | 503 22 10-11 | HEXAGON NUT | | 1 |
| 12 | 501 37 56-02 | FLYWHEEL | | 1 |
| 13 | 503 23 00-42 | WASHER | | 2 |
| 14 | 501 63 48-01 | SPRING | | 2 |
| 15 | 501 67 32-03 | PAWL | | 2 |
| 16 | 506 00 69-01 | SCREW | | 2 |



AIR FILTER COVER

K970, K970 RESCUE, 575697201, 2010-05

| Ref | Part No | Description | Remark | QTY KIT |
|-----|--------------|---------------------|--------|---------|
| 1 | 503 21 53-56 | SCREW ITXSCM | | 2 |
| 2 | 503 21 53-26 | SCREW ITXSCM | | 2 |
| 3 | 525 81 81-03 | DECAL | | 1 |
| 3 | 525 81 81-04 | DECAL | | 1 |
| 3 | 576 12 09-01 | DECAL | | 1 |
| 4 | 583 96 52-02 | FILTER COVER ASSY | | 1 |
| 5 | 510 24 41-01 | AIR FILTER | | 1 |
| 6 | 586 35 64-01 | CYLINDER COVER ASSY | | 1 |
| 7 | 525 61 70-04 | SEALING | | 3 |
| 8 | 525 76 35-01 | DECAL | | 1 |
| 9 | 503 21 53-30 | SCREW ITXSCM | | 2 |
| 10 | 525 57 16-01 | DECAL | | 1 |
| 10 | 525 57 16-02 | DECAL | | 1 |
| 11 | 740 48 20-03 | O-RING | | 1 |
| 12 | 525 57 17-01 | AIR NOZZLE | | 1 |
| 13 | 501 98 10-01 | SCREW ITXSCM | | 1 |

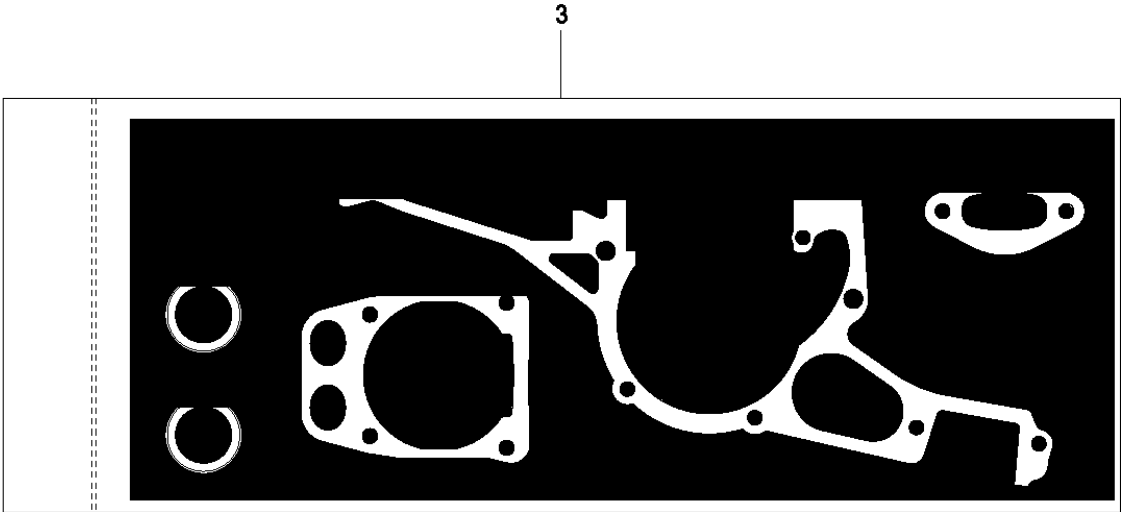
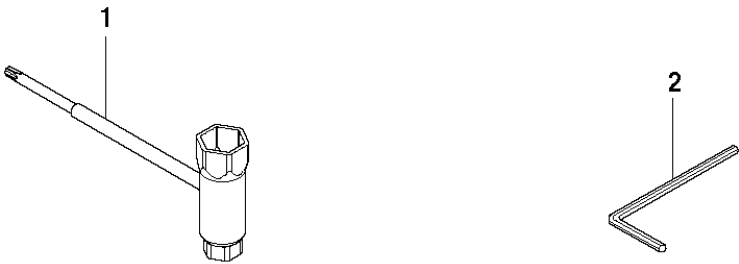


CARBURETOR

K970, K970 RESCUE, 575697201, 2010-05

| Ref | Part No | Description | Remark | QTY KIT |
|-----|--------------|---------------------|--------|---------|
| 1 | 505 28 33-06 | HOSE CLAMP | | 1 |
| 2 | 506 41 41-01 | INLET PIPE | | 1 |
| 3 | 544 15 01-01 | FLANGE | | 1 |
| 4 | 503 21 53-16 | SCREW ITXSCM | | 2 |
| 5 | 544 11 39-01 | CONSOLE | | 1 |
| 6 | 503 21 53-30 | SCREW ITXSCM | | 1 |
| 7 | 506 41 42-01 | PLATE | | 1 |
| 8 | 522 94 20-01 | CARBURETTOR | | 1 |
| 9 | 505 14 84-01 | LEVER | | 1 |
| 10 | 576 49 04-01 | THROTTLE CABLE ASSY | | 1 |
| 11 | 522 85 62-01 | FLANGE INLET PIPE | | 1 |
| 12 | 521 92 67-01 | INLET PIPE | | 1 |
| 13 | 510 24 39-01 | FILTER | | 1 |
| 14 | 501 97 18-01 | SCREW ITXSCM | | 2 |
| 15 | 544 23 26-01 | CHISEL GUIDE | | 1 |
| 16 | 506 23 20-11 | CHOKE | | 1 |
| 17 | 506 27 25-01 | WEAR PROTECTION | | 1 |
| 18 | 502 44 58-01 | GASKET KIT | | 1 |
| 19 | 502 44 59-01 | REPAIR KIT | | 1 |
| 21 | 593 77 69-01 | THROTTLE SHAFT | | 1 |
| 20 | 593 77 77-01 | CHOKE SHAFT | | 1 |

N K970



GASKET KIT

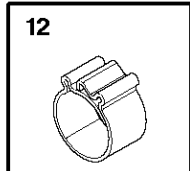
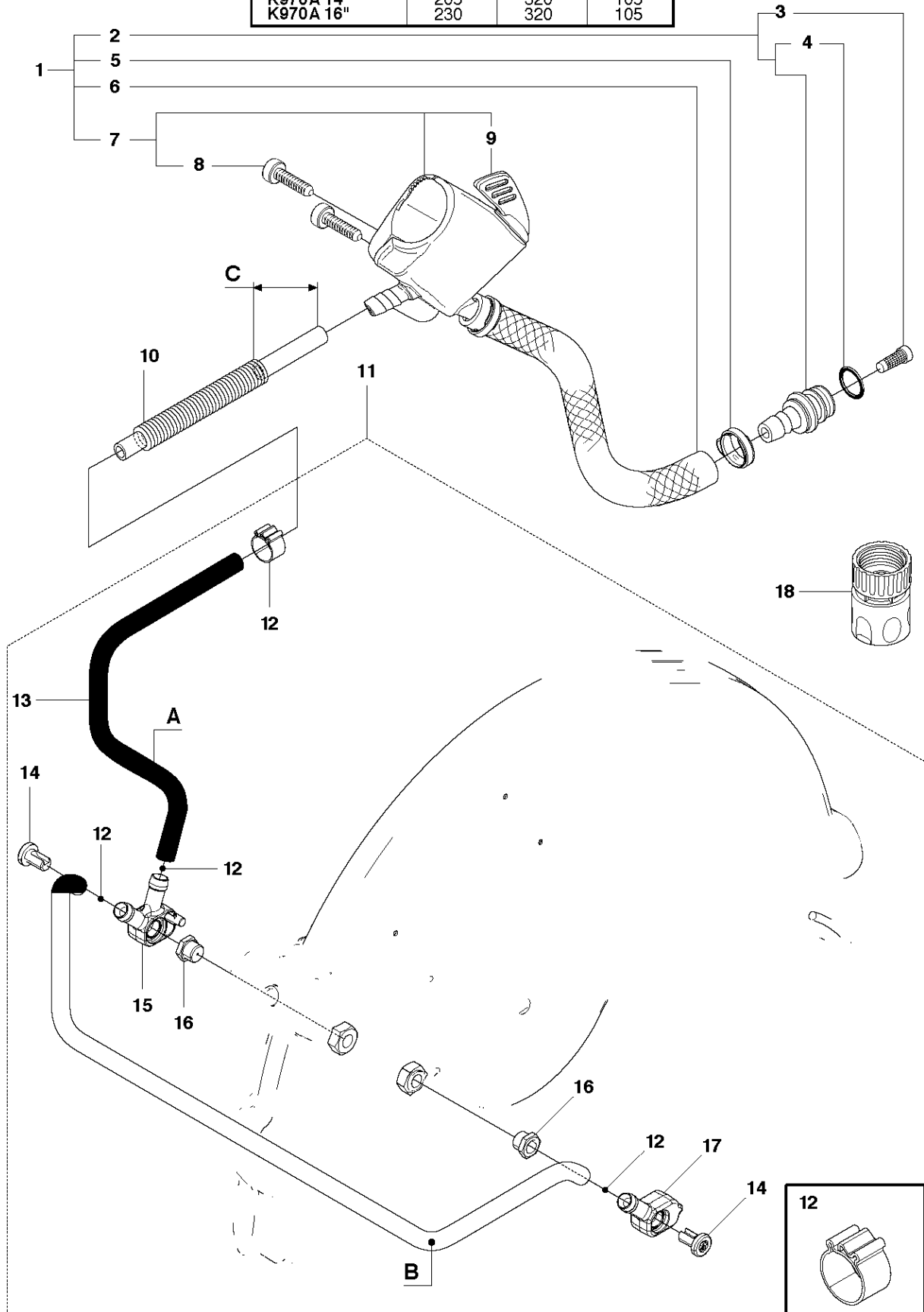
K970, K970 RESCUE, 575697201, 2010-05

| Ref | Part No | Description | Remark | QTY KIT |
|-----|--------------|--------------|--------|---------|
| 1 | 506 38 26-01 | TOOL | | 1 |
| 2 | 502 21 58-01 | WRENCH | | 1 |
| 3 | 544 22 98-03 | GASKET KIT | | 1 |
| 4 | 503 26 02-04 | SEALING RING | | 2 |
| 5 | 576 49 94-01 | GASKET | | 1 |
| 6 | 506 41 39-04 | GASKET | | 1 |
| 7 | 506 37 81-01 | GASKET | | 1 |

P K970



| | A (mm) | B (mm) | C (mm) |
|-----------|--------|--------|--------|
| K970A 12" | 165 | 320 | ---- |
| K970A 14" | 205 | 320 | 105 |
| K970A 16" | 230 | 320 | 105 |

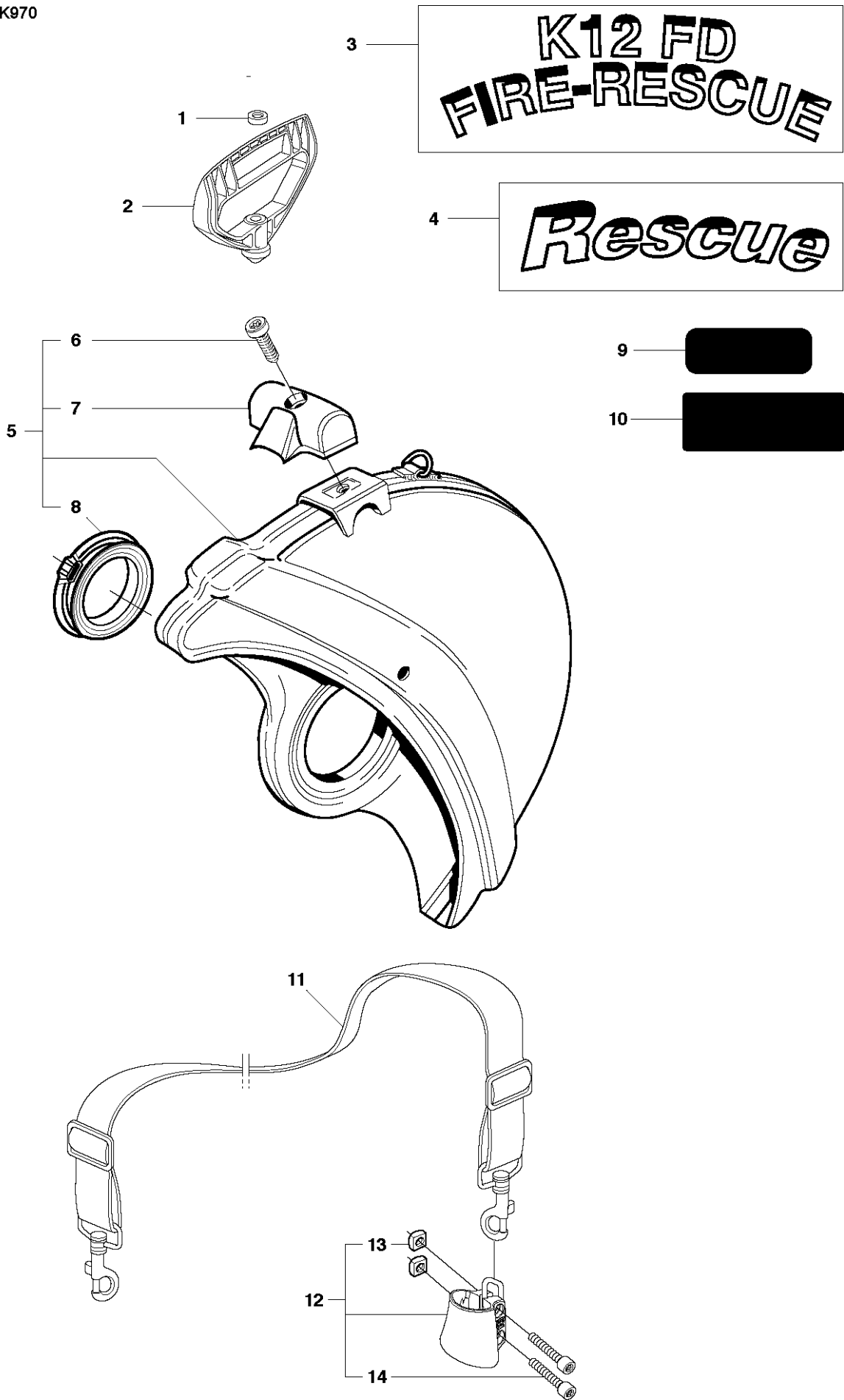


VALVES

K970, K970 RESCUE, 575697201, 2010-05

| Ref | Part No | Description | Remark | QTY KIT |
|-----|--------------|-------------------|--------|---------|
| 1 | 505 09 55-01 | HOSE KIT | | 1 |
| 2 | 506 29 57-02 | NIPPLE | | 1 |
| 3 | 506 29 88-01 | FILTER | | 1 |
| 4 | 505 10 35-01 | O-RING | | 1 |
| 5 | 506 49 87-02 | HOSE CLAMP | | 1 |
| 6 | 506 60 75-01 | HOSE | | 1 |
| 7 | 506 38 60-12 | VALVE ASSY | | 1 |
| 8 | 503 21 54-20 | SCREW ITXSCT | | 2 |
| 9 | 506 31 24-01 | VALVE SPINDLE | | 1 |
| 10 | 506 35 27-01 | PROTECTIVE SPRING | | 1 |
| 11 | 505 09 54-01 | HOSE KIT | | 1 |
| 12 | 506 49 87-01 | HOSE CLAMP | | 4 |
| 13 | 506 60 68-06 | HOSE | | 1 |
| 14 | 504 63 46-01 | SCREW ITXSCM | | 2 |
| 15 | 504 63 44-01 | HOUSING | | 1 |
| 16 | 504 63 42-01 | NIPPLE | | 2 |
| 17 | 504 63 45-01 | HOUSING | | 1 |
| 18 | 503 26 60-03 | COUPLER | | 1 |
| 18 | 503 26 60-04 | COUPLER | | 1 |

Q K970



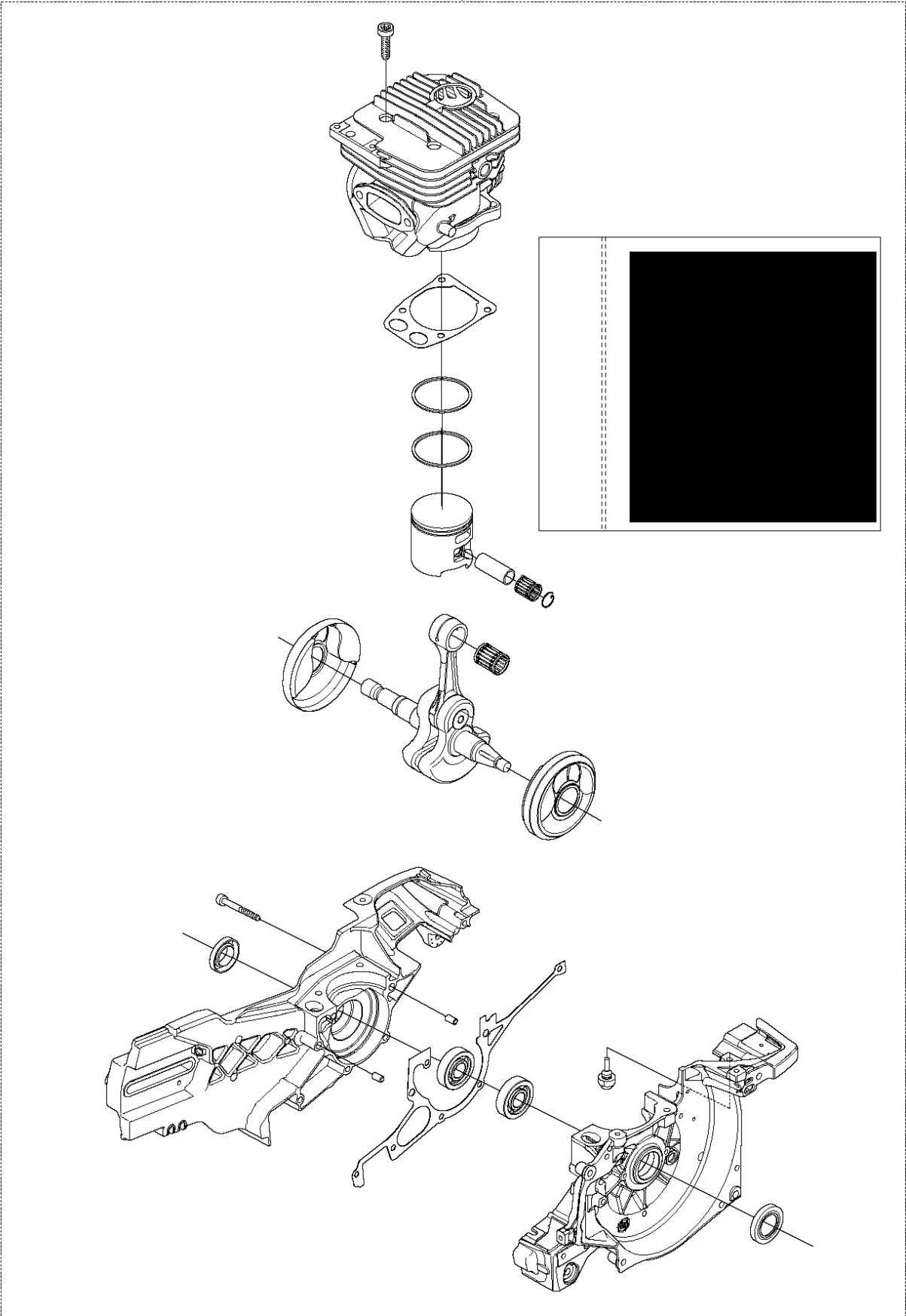
RESCUE

K970, K970 RESCUE, 575697201, 2010-05

| Ref | Part No | Description | Remark | QTY KIT |
|-----|--------------|----------------|--------|---------|
| 1 | 503 14 29-02 | WASHER | | 1 |
| 2 | 506 29 75-02 | STARTER HANDLE | | 1 |
| 3 | 506 32 20-02 | LABEL | | 1 |
| 4 | 506 30 23-02 | LABEL | | 2 |
| 5 | 506 34 05-54 | BLADE GUARD | 14" | 1 |
| 5 | 506 34 05-52 | BLADE GUARD | 12" | 1 |
| 6 | 503 21 53-20 | SCREW ITXSCM | | 1 |
| 7 | 506 34 46-02 | HANDLE | | 1 |
| 8 | 506 26 63-02 | LINING | | 2 |
| 9 | 544 89 06-01 | LABEL | | 1 |
| 9 | 544 89 06-03 | LABEL | | 1 |
| 10 | 506 32 22-02 | LABEL | | 1 |
| 11 | 506 29 76-01 | SHOULDER STRAP | | 1 |
| 12 | 506 30 25-06 | BRACKET | | 1 |
| 13 | 503 22 65-04 | SQUARE NUT | | 2 |
| 14 | 503 21 53-12 | SCREW ITXSCM | | 2 |

R K970

1



| Ref | Part No | Description | Remark | QTY KIT |
|-----|--------------|----------------|--------|---------|
| 1 | 576 41 28-02 | CRANKCASE ASSY | | 1 |