

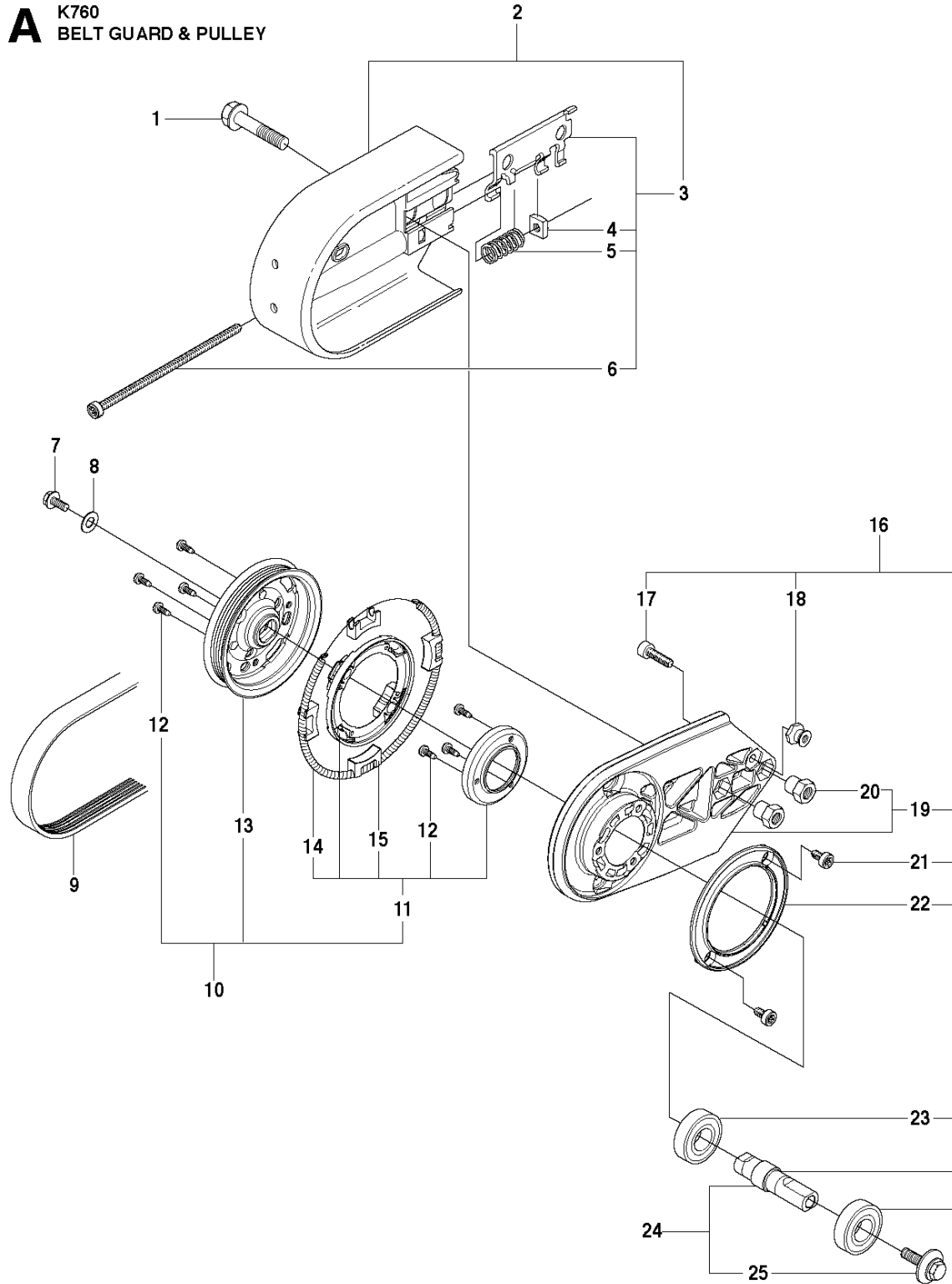


SPARE PARTS LIST

POWER CUTTERS

K760, 2013-02

A K760
BELT GUARD & PULLEY



★Vベルトの張り直し
Vベルトカバー上の2本のナットを緩め、V
ベルトカバー上の3本のナットを時計回りに
セットし、再び2本のナットを締め直します。



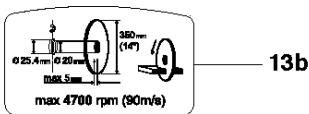
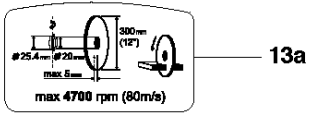
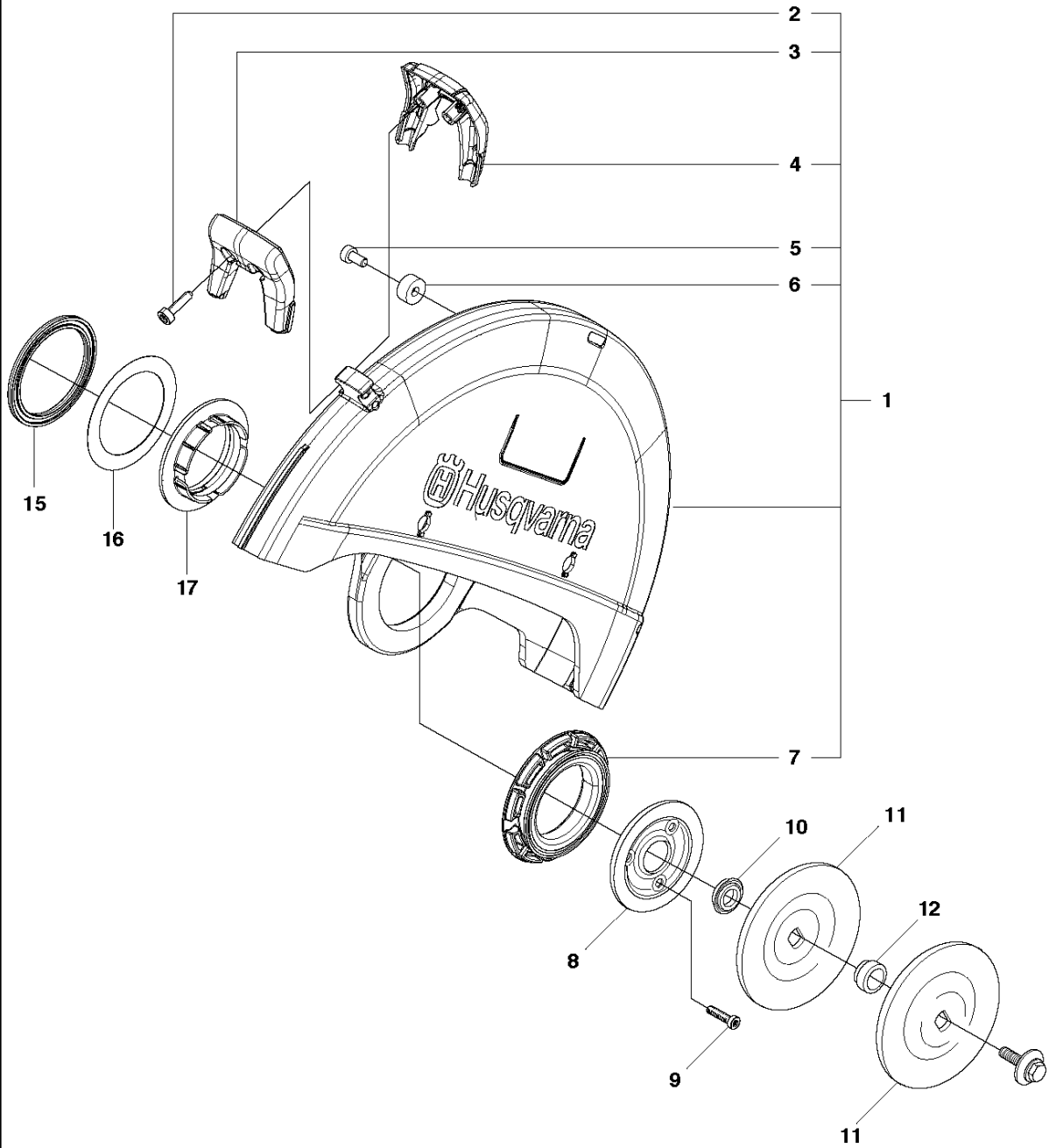
26

BELT GUARD & PULLEY

K760, 2013-02

Ref	Part No	Description	Remark	QTY KIT
1	506 28 44-01	SCREW EHHFM		2
2	506 39 36-02	BELT GUARD	Incl. 3	1
3	506 26 66-04	BELT TENSIONER ASSY	Incl. 4 - 6	1
4	506 40 93-01	NUT		1
5	506 26 68-01	COMPRESSION SPRING		1
6	503 20 72-05	SCREW CITXSCM		1
7	503 20 00-45	SCREW EHHFM		1
8	503 23 01-16	WASHER		1
9	544 90 84-02	BELT		1
10	504 03 70-07	PULLEY	Incl. 11 - 13	1
11	505 44 54-03	CASSETTE	Incl. 12, 14 - 15	1
12	503 21 28-10	SCREW CCRPANT		7
13	504 06 22-01	PULLEY		1
14	544 44 10-01	DRAW SPRING		1
15	544 44 04-02	BRAKE SHOE		4
16	581 35 17-02	BEARING HOUSING	Incl. 17 - 19, 21 - 23	1
16	506 39 42-08	BEARING HOUSING	Rescue only	1
17	505 57 41-16	SCREW ITXSCM		1
18	506 14 32-01	TORSION STOP		1
19	581 35 17-01	BEARING HOUSING	Incl. 20	1
20	506 28 73-01	NUT		2
21	503 21 53-10	SCREW ITXSCM		2
22	579 73 37-01	SEALING WASHER		1
23	583 95 33-01	BALL BEARING		2
24	506 29 83-65	SHAFT	Incl. 25	1
25	581 85 52-01	SCREW		1
26	506 30 97-05	LABEL	Japan only	1

B K760
BLADE GUARD ASSY



▲ 取付け上の注意 ▲

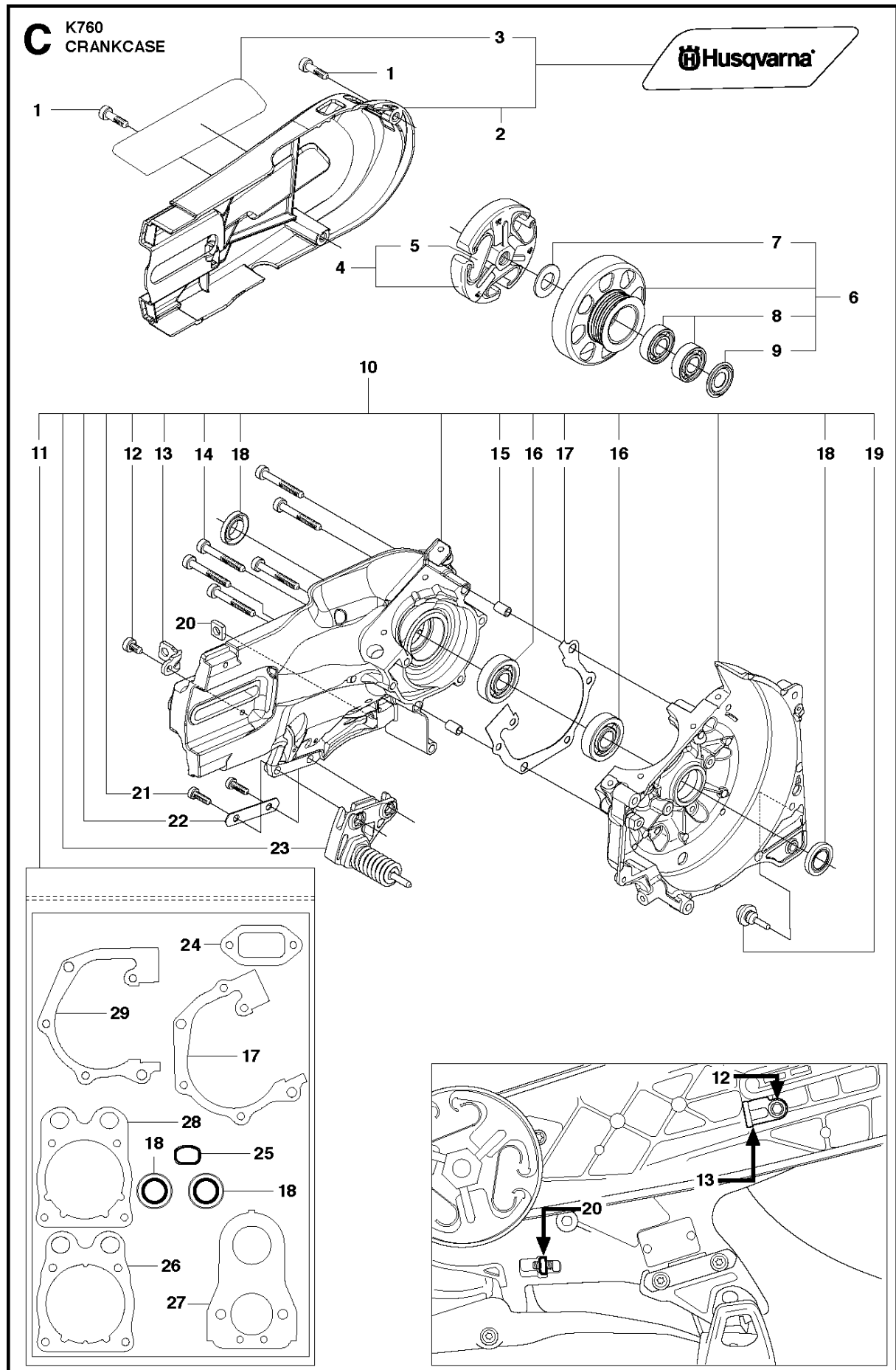
- ・必ず、チェーンのテンションを適切に調整してください。
- ・チェーンの目詰りを定期的に確認してください。
- ・チェーンの切れ味を定期的に確認してください。
- ・チェーンの目詰りや切れ味の悪化は、チェーンの寿命を短縮し、作業効率を低下させます。
- ・チェーンの目詰りや切れ味の悪化は、作業中の危険性を高めます。
- ・チェーンの目詰りや切れ味の悪化は、作業中の騒音や振動を増加させます。
- ・チェーンの目詰りや切れ味の悪化は、作業中の火花や粉塵を増加させます。
- ・チェーンの目詰りや切れ味の悪化は、作業中の煙や蒸気を増加させます。
- ・チェーンの目詰りや切れ味の悪化は、作業中の熱を増加させます。
- ・チェーンの目詰りや切れ味の悪化は、作業中の燃費を増加させます。
- ・チェーンの目詰りや切れ味の悪化は、作業中の排気量を増加させます。
- ・チェーンの目詰りや切れ味の悪化は、作業中の騒音レベルを増加させます。
- ・チェーンの目詰りや切れ味の悪化は、作業中の振動レベルを増加させます。
- ・チェーンの目詰りや切れ味の悪化は、作業中の火花や粉塵の発生量を増加させます。
- ・チェーンの目詰りや切れ味の悪化は、作業中の煙や蒸気の発生量を増加させます。
- ・チェーンの目詰りや切れ味の悪化は、作業中の熱の発生量を増加させます。
- ・チェーンの目詰りや切れ味の悪化は、作業中の燃費の消費量を増加させます。
- ・チェーンの目詰りや切れ味の悪化は、作業中の排気量の消費量を増加させます。

© 2013 Husqvarna

BELT GUARD

K760, 2013-02

Ref	Part No	Description	Remark	QTY KIT
1	581 35 19-01	WHEEL GUARD	"12"" , Incl. 2 - 7"	1
1	581 35 19-02	WHEEL GUARD	"14"" , Incl. 2 - 7"	1
2	504 90 94-14	SCREW ITXSCT		2
3	578 19 09-01	HANDLE HALF		1
4	578 76 09-01	HANDLE HALF		1
5	504 90 94-10	SCREW ITXSCT		1
6	581 62 03-01	STOP		1
7	578 19 10-01	LINING		1
8	506 26 65-01	FLANGE		1
9	505 57 41-16	SCREW ITXSCT		3
10	506 32 48-01	SUPPORT FLANGE		1
11	583 87 44-01	FLANGE	Diam 105 mm	2
11	506 07 09-01	FLANGE WASHER	"Diam 119 mm, Japan 14"" only "	2
12	578 39 82-01	BUSHING	Diam 20 / 25,4 mm	1
12	581 60 54-03	BUSHING	Diam 30,5 mm	1
12	506 37 96-22	KIT	Diam 22,2 mm	1
13a	581 11 77-01	DECAL	"12""	1
13b	581 11 77-02	DECAL	"14""	1
14	584 99 26-01	DECAL	"Japan only 12""	1
14	584 99 26-02	DECAL	"Japan only 14""	1
15	579 73 32-01	RUBBER RING		1
16	579 73 33-01	SHIM		1
17	579 73 36-01	WEAR WASHER		1

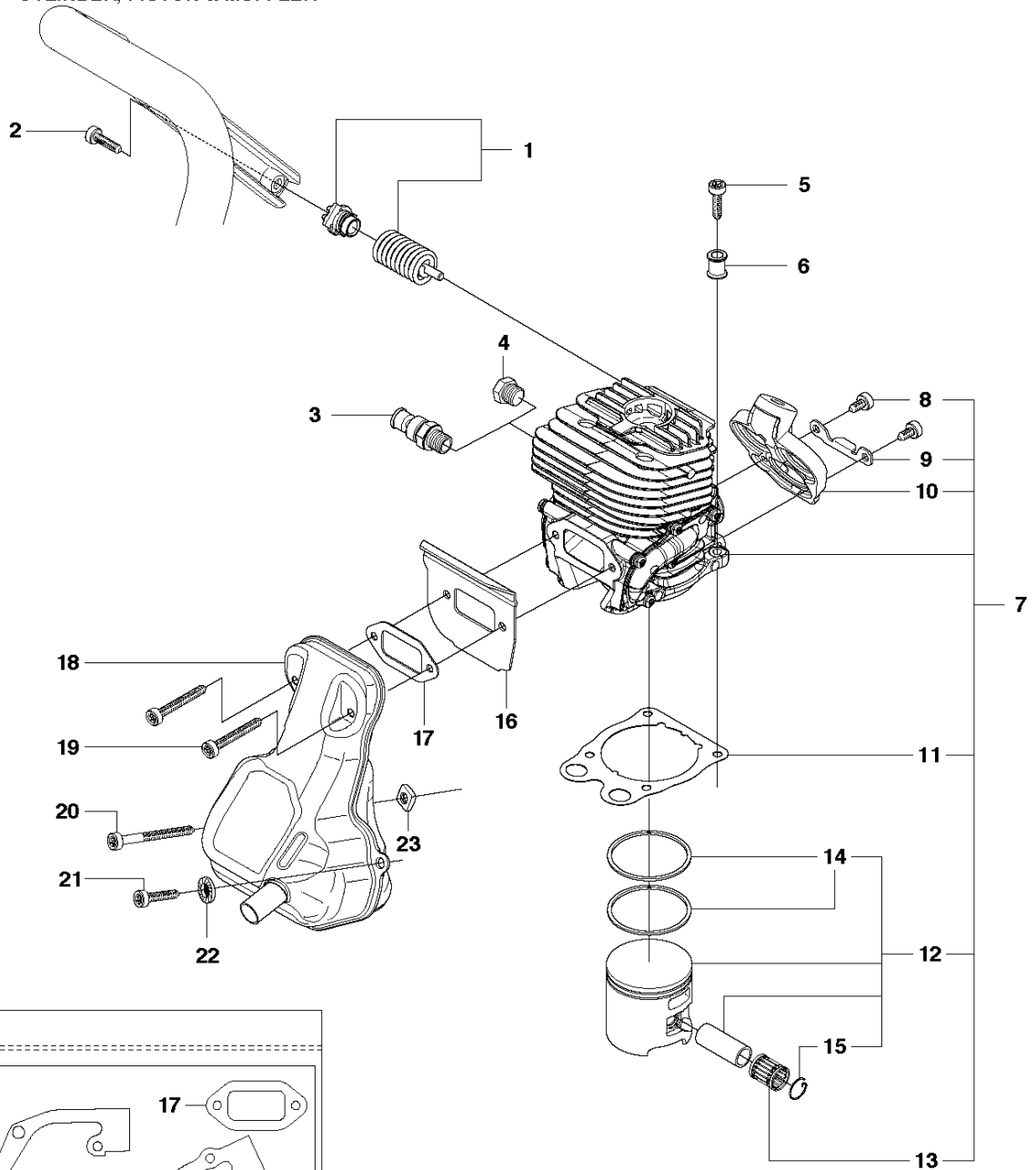


CRANKCASE

K760, 2013-02

Ref	Part No	Description	Remark	QTY KIT
1	501 98 10-20	SCREW ITXSCM		2
2	581 48 59-01	BELT GUARD	Incl. 3	1
3	575 62 85-01	DECAL		1
4	503 74 44-06	CLUTCH ASSY	Incl. 5	1
5	503 74 43-01	CLUTCH SPRING		3
6	502 28 92-02	DRIVING PULLEY ASSY	Incl. 7 - 9	1
7	503 23 00-70	WASHER		1
8	525 83 18-01	BALL BEARING		2
9	506 31 69-01	DUST COVER		1
10	581 72 19-01	CRANKCASE ASSY	Incl. 11-19, 21-23	1
11	581 35 74-01	GASKET KIT	Incl. 17, 18, 24-29	1
12	501 98 10-01	SCREW ITXSCM		1
13	544 00 78-01	BRACKET		1
14	503 21 53-41	SCREW ITXSCM		6
15	501 27 08-01	GUIDE BUSHING		2
16	738 22 02-25	BALL BEARING		2
17	506 37 70-03	GASKET	Six hole	1
18	503 26 02-04	SEALING RING	Blue	2
19	503 84 61-01	BUFFER		1
20	503 22 65-04	SQUARE NUT		1
21	503 21 53-16	SCREW ITXSCM		2
22	522 47 48-01	PLATE		1
23	522 47 57-01	SPRING RETAINER		1
24	506 37 69-02	GASKET		1
25	544 21 93-02	INSERT		1
26	581 28 53-01	GASKET		1
27	506 37 68-04	GASKET		1
28	506 37 67-01	CYLINDER		1
29	506 37 70-02	GASKET	Five hole	1

D K760
CYLINDER, PISTON & MUFFLER

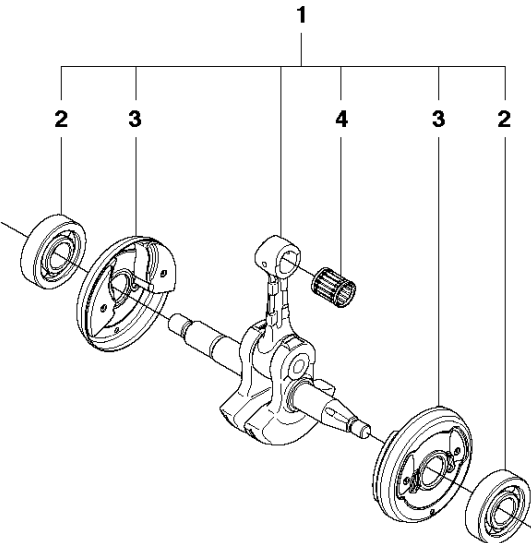


CYLINDER

K760, 2013-02

Ref	Part No	Description	Remark	QTY KIT
1	579 74 42-01	ANTIVIBRATION ELEMENT		1
2	544 06 12-01	SCREW ITXSCM		1
3	503 71 53-01	DECOMPRESSION VALVE		1
4	503 55 22-01	PLUG		1
5	503 21 53-40	SCREW ITXSCM		4
6	576 71 76-02	SLEEVE		4
7	581 47 61-02	CYLINDER ASSY	Incl. 8 - 13	1
8	503 21 53-16	SCREW ITXSCM		2
9	506 36 88-01	BRACKET		1
10	574 23 18-01	PLATE		1
11	581 28 53-01	GASKET		1
12	506 37 24-02	PISTON ASSY	Incl. 13 - 15	1
13	503 25 56-01	NEEDLE BEARING		1
14	503 28 90-47	PISTON RING		2
15	737 43 12-00	SNAP RING		2
16	506 37 58-02	COOLING PLATE		1
17	506 37 69-02	GASKET		1
18	506 36 42-04	MUFFLER ASSY		1
19	503 21 53-40	SCREW ITXSCM		2
20	503 21 53-56	SCREW ITXSCM		1
21	503 21 53-25	SCREW ITXSCM		1
22	503 23 04-02	WASHER		1
23	503 22 65-04	SQUARE NUT		1
24	581 35 74-01	GASKET KIT	Incl. 11, 17, 25 - 30	1
25	506 37 70-03	GASKET		1
26	544 21 93-02	INSERT		1
27	503 26 02-04	SEALING RING	Blue	2
28	506 37 68-04	GASKET		1
29	506 37 67-01	CYLINDER		1
30	506 37 70-02	GASKET		1

E K760
CRANKSHAFT

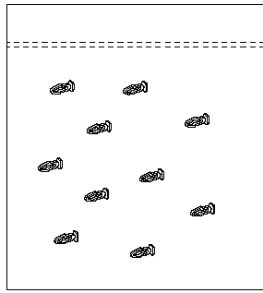


CRANKSHAFT

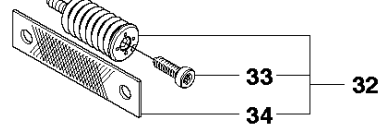
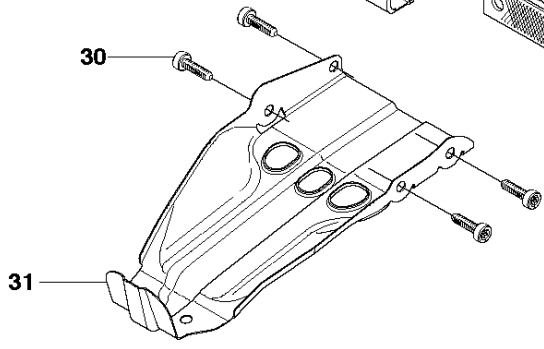
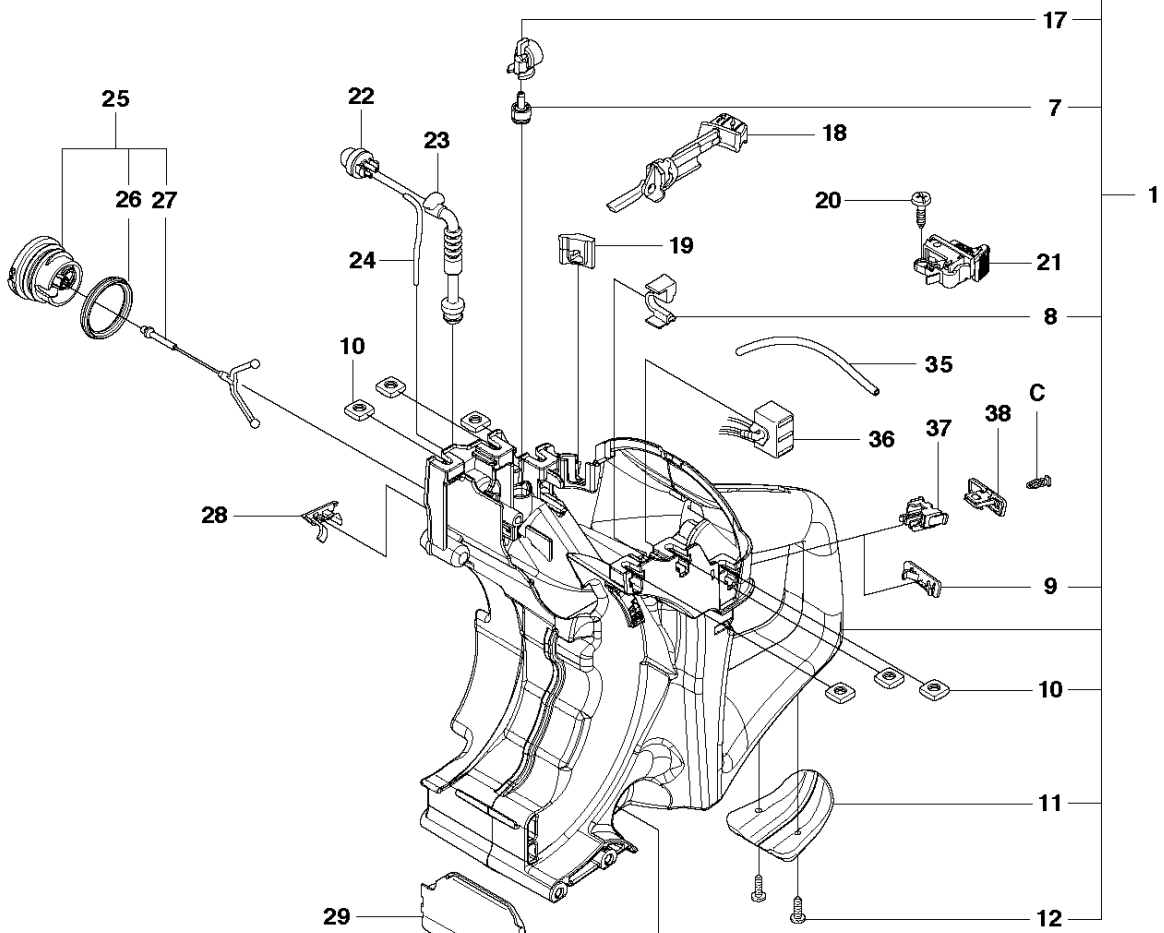
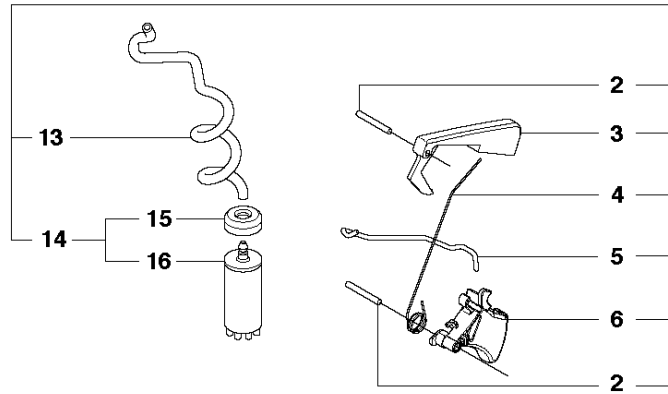
K760, 2013-02

Ref	Part No	Description	Remark	QTY KIT
1	502 29 50-02	CRANKSHAFT ASSY	Incl. 2 - 4	1
2	738 22 02-25	BALL BEARING		2
3	537 20 33-01	CUP		2
4	503 25 56-01	NEEDLE BEARING		1

F K760
FUEL TANK



39 C



燃料は
ガソリン 25 : 1 2サイクル専用オイル

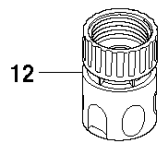
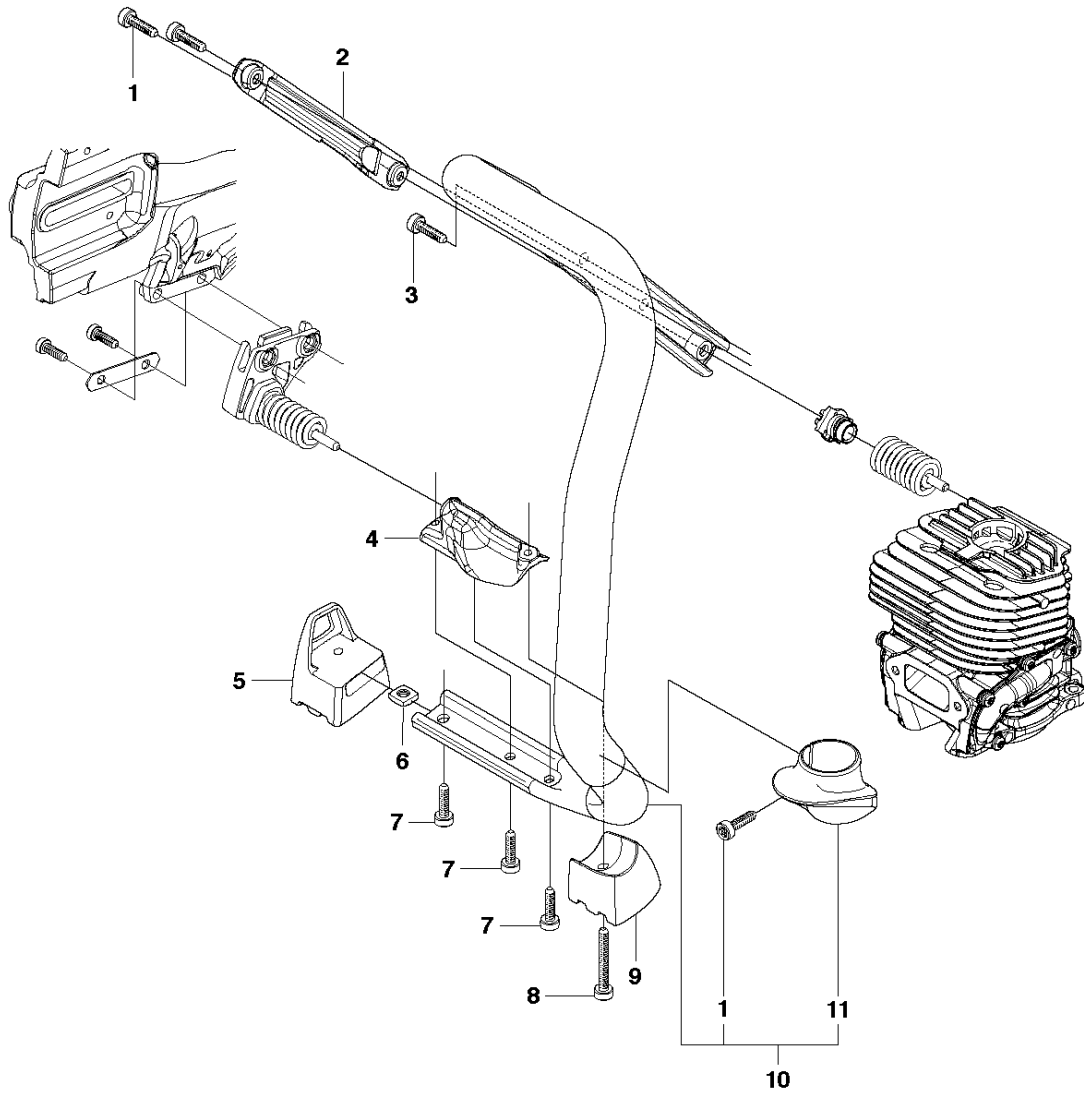
41

FUEL TANK

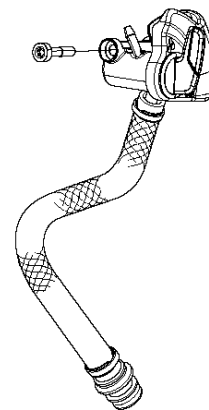
K760, 2013-02

Ref	Part No	Description	Remark	QTY KIT
1	581 47 74-01	FUEL TANK ASSY	Incl. 2 - 14, 17	1
2	720 12 40-20	PARALLEL PIN		2
3	577 32 50-03	THROTTLE LOCKOUT		1
3	577 32 50-04	THROTTLE LOCKOUT	Oil Guard	1
4	506 37 95-01	SPRING		1
5	579 37 92-01	THROTTLE ROD		1
6	577 23 15-01	THROTTLE CONTROL		1
6	577 23 15-02	THROTTLE CONTROL	Oil Guard	1
7	537 35 95-01	TANK VENT ASSY		1
8	544 39 32-01	HOSE CLIP		1
9	501 37 13-01	LID		1
10	503 22 65-04	SQUARE NUT		6
11	506 38 67-02	GROUND SUPPORT		1
12	503 21 45-16	SCREW CRCSFT		2
13	581 75 62-03	FUEL HOSE		1
13	581 75 62-02	FUEL HOSE	Oil Guard	1
14	506 26 41-11	FUEL FILTER	Incl. 15 - 16	1
15	506 27 11-01	HOSE CLAMP		1
16	506 26 41-01	FUEL FILTER		1
17	577 31 35-01	TANK VENT VALVE ASSY		1
18	544 22 90-02	CHOKE CONTROL		1
19	506 37 80-01	GROMMET		1
20	503 21 28-10	SCREW CCRPANT		1
21	506 31 86-02	STOP SWITCH		1
22	540 05 49-01	AIR PURGE	Purge	1
23	505 19 52-01	FUEL HOSE	Purge	1
24	537 04 24-14	FUEL HOSE	Purge	1
25	522 62 00-01	TANK CAP ASSY	Incl. 26 - 27	1
26	537 21 50-01	SEALING		1
27	503 57 89-01	HOLDER		1
28	506 39 46-02	HUB CAP		1
29	506 38 15-01	HEAT SHIELD		1
30	503 21 54-20	SCREW ITXSCT		4
31	506 37 19-02	BASEPLATE		1
32	537 21 03-07	ANTIVIBRATION ELEMENT	Incl. 33 - 34	1
33	544 06 12-01	SCREW ITXSCM		1
34	544 23 82-01	BAND		1
35	581 75 61-17	FUEL HOSE	Oil Guard	1
36	544 38 41-01	ELECTRONIC BOX	Oil Guard	1
37	501 01 88-01	HOUSING	Oil Guard	1
38	501 01 94-01	SWITCH	Oil Guard	1
39	502 23 33-01	KIT	Oil Guard, Incl. 10 pins	1
40	501 31 89-01	LABEL	Oil Guard	1
41	506 31 30-01	LABEL	Japan only	1

G K760
GROUND SUPPORT



13

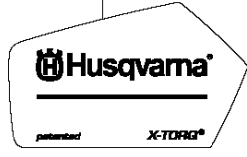
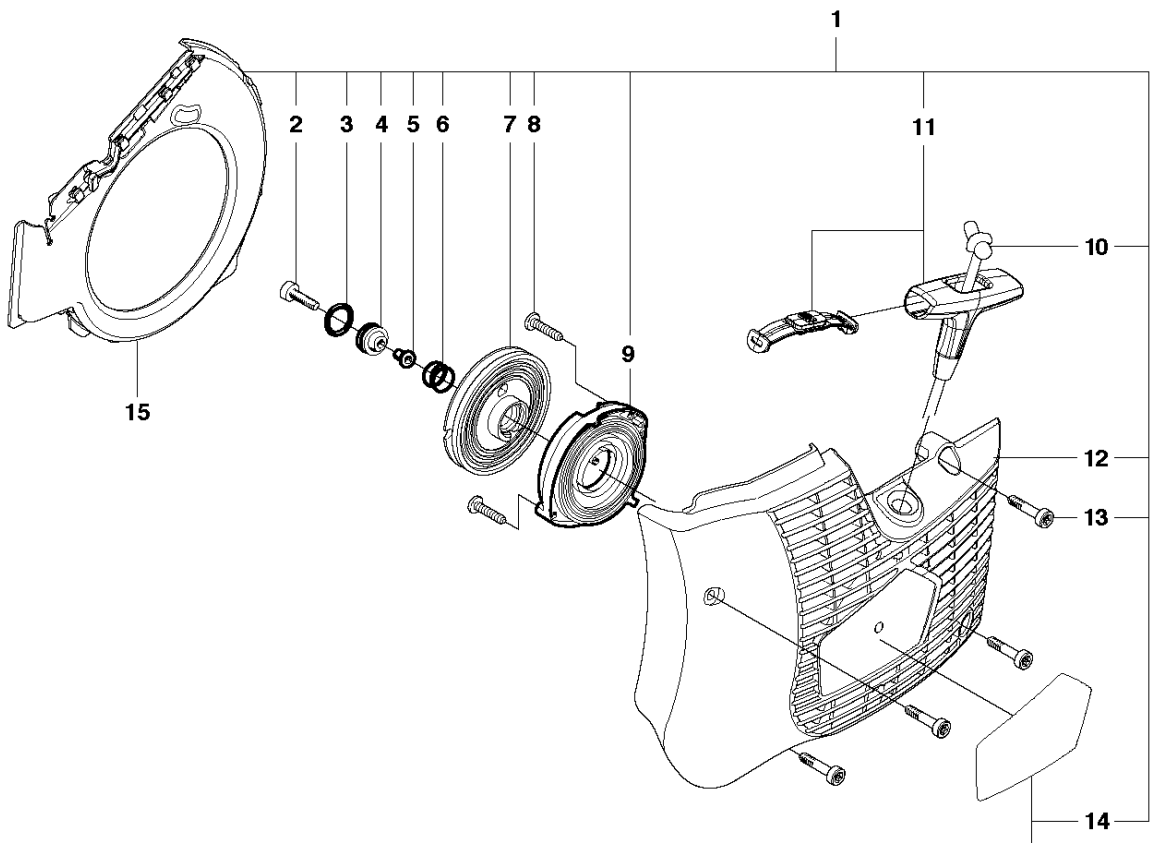


SUPPORT LEGS

K760, 2013-02

Ref	Part No	Description	Remark	QTY KIT
1	503 21 54-20	SCREW ITXSCT		3
2	577 98 16-01	HOSE GUARD		1
3	544 06 12-01	SCREW ITXSCM		1
4	575 26 77-01	SPRING RETAINER		1
5	522 83 23-01	GROUND SUPPORT		1
6	503 22 65-04	SQUARE NUT		1
7	503 21 53-10	SCREW ITXSCM		3
8	503 21 53-40	SCREW ITXSCM		1
9	522 83 24-01	GROUND SUPPORT		1
10	581 11 06-03	HANDLE ASSY	Incl. 1,11	1
11	506 38 71-02	STOP		1
12	503 26 60-03	COUPLER	USA, Canada	1
12	503 26 60-04	COUPLER		1
13	581 47 62-01	HOSE KIT		1

H K760
STARTER

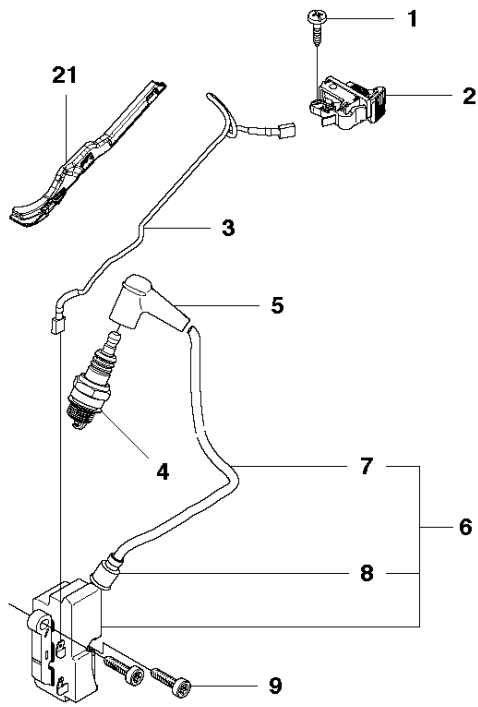


STARTER

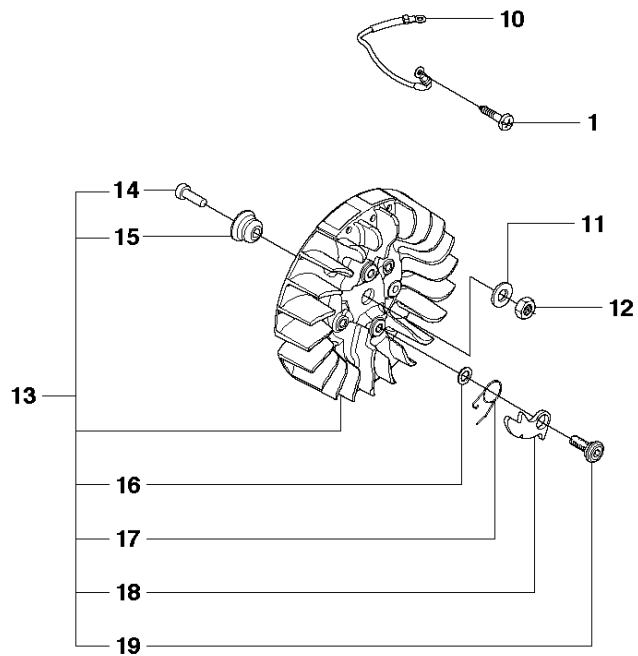
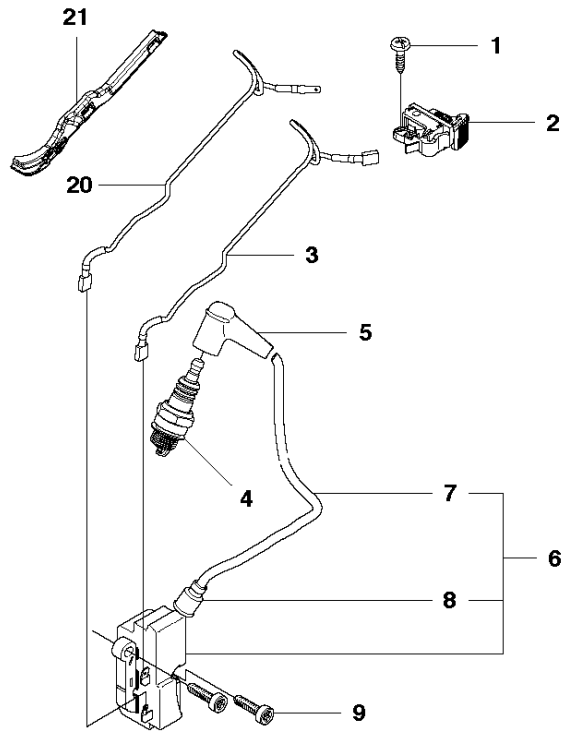
K760, 2013-02

Ref	Part No	Description	Remark	QTY KIT
1	574 36 20-02	STARTER	Incl. 2 - 15	1
2	510 26 92-22	SCREW ITXSCT		1
3	740 43 13-00	O-RING		1
4	510 00 08-01	SEALING HOLDER		1
5	506 26 31-01	SPACING SLEEVE		1
6	506 25 30-01	COMPRESSION SPRING		1
7	506 25 81-02	STARTER PULLEY		1
8	503 21 28-10	SCREW CCRPANT		2
9	506 25 89-01	RECOIL SPRING		1
10	506 33 56-15	STARTER CORD		1
10	506 33 56-50	STARTER CORD	50 m	1
11	584 25 79-01	STARTER HANDLE ASSY		1
12	525 44 60-01	STARTER COVER		1
13	501 98 10-20	SCREW ITXSCM		4
14	525 57 11-01	DECAL		1
15	544 38 39-01	AIR CONDUCTOR		1

J K760
IGNITION SYSTEM



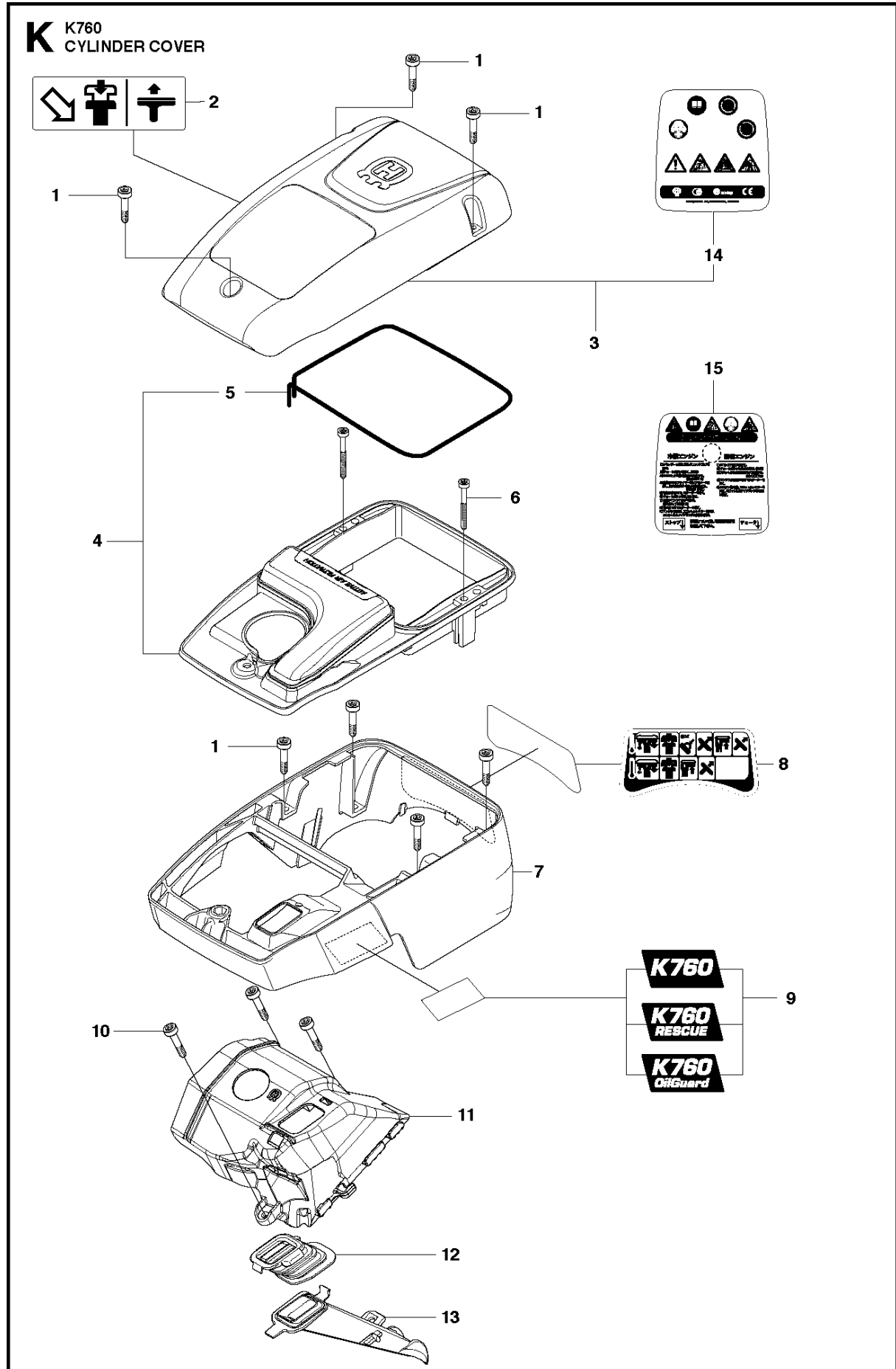
K760 Oil Guard



IGNITION SYSTEM

K760, 2013-02

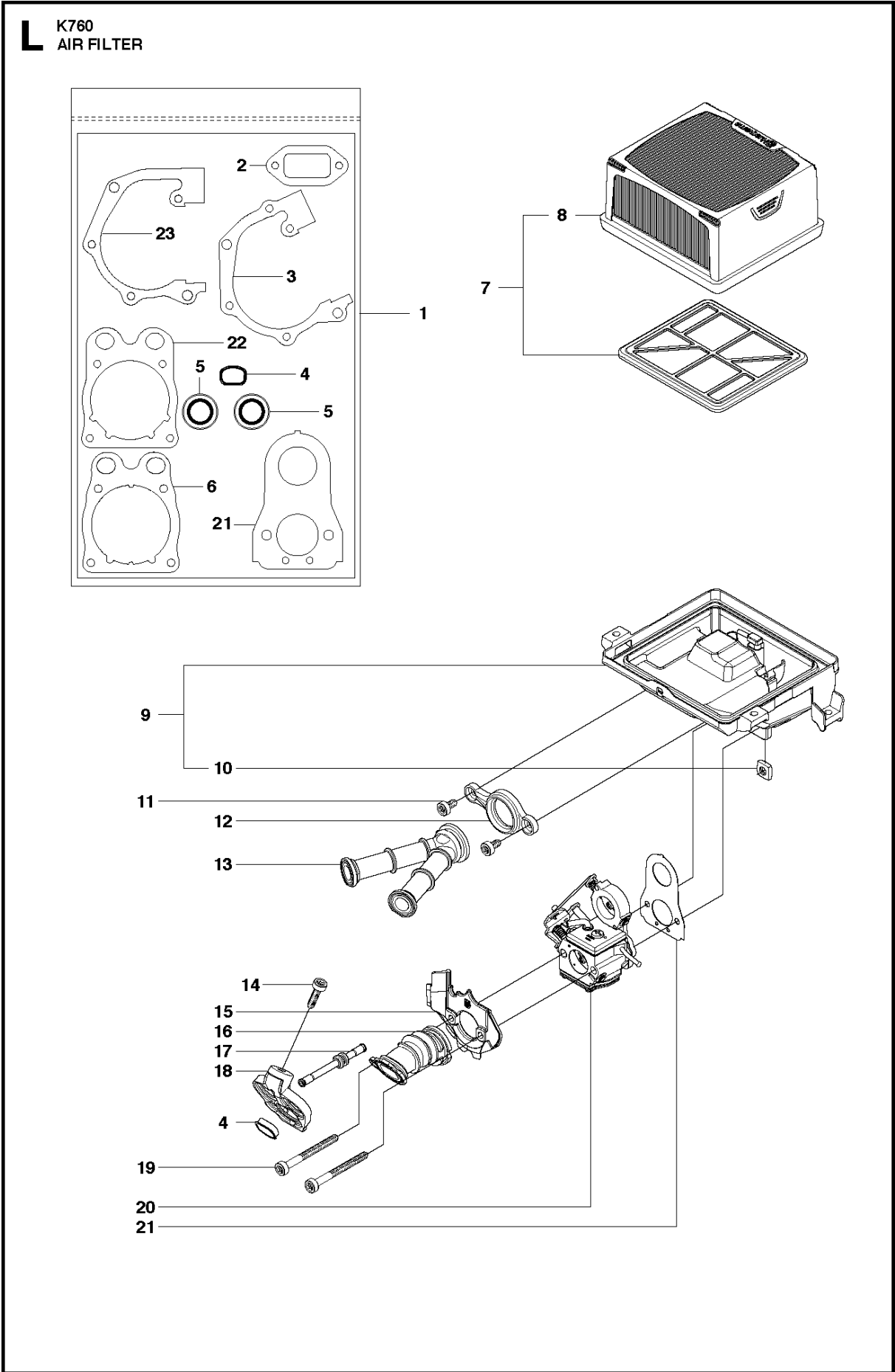
Ref	Part No	Description	Remark	QTY KIT
1	503 21 28-10	SCREW CCRPANT		2
2	506 31 86-02	STOP SWITCH		1
3	506 37 84-02	CABLE		1
3	544 97 93-01	CABLE	Oil Guard	1
4	503 23 51-09	SPARK PLUG	RCJ 6 Y	1
5	501 48 54-02	SPARK PLUG CAP		1
6	580 38 05-01	IGNITION MODULE	Incl. 7 - 8	1
7	506 38 78-34	IGNITION CABLE		1
8	505 27 75-16	ISOLERHATT		1
9	503 21 53-20	SCREW ITXSCM		2
10	506 37 85-01	CABLE		1
11	503 23 01-01	WASHER		1
12	503 22 10-11	HEXAGON NUT		1
13	501 37 56-04	FLYWHEEL	Incl. 14 - 19	1
14	725 53 29-56	SCREW IHSCM		1
15	574 25 09-01	WEIGHT		1
16	503 23 00-42	WASHER		2
17	501 63 48-01	SPRING		2
18	501 67 32-03	PAWL		2
19	506 00 69-01	SCREW		2
20	544 38 49-01	CABLE	Oil Guard	1
21	577 24 28-01	CABLE HOLDER		1



CYLINDER COVER

K760, 2013-02

Ref	Part No	Description	Remark	QTY KIT
1	503 21 53-21	SCREW ITXSCM		7
2	525 76 35-02	DECAL		1
3	583 96 52-01	FILTER COVER ASSY	incl. 14	1
4	574 36 21-01	FILTER HOLDER ASSY	Incl. 5	1
4	574 36 21-02	FILTER HOLDER ASSY	OIL GUARD	1
5	575 35 50-01	SEALING STRIP		1
6	503 21 53-49	SCREW ITXSCM		2
7	506 36 70-03	CYLINDER COVER		1
8	579 24 03-01	DECAL		1
9	574 23 16-01	DECAL		1
9	574 23 16-02	DECAL	Rescue	1
9	574 23 16-03	DECAL	Oil Guard	1
10	501 98 10-20	SCREW ITXSCM		3
11	574 45 94-01	COVER		1
12	506 37 04-01	BELLOWS		1
13	525 58 43-01	AIR NOZZLE		1
14	586 37 93-02	DECAL	Generic	1
15	576 12 09-02	DECAL	Japan Only	1

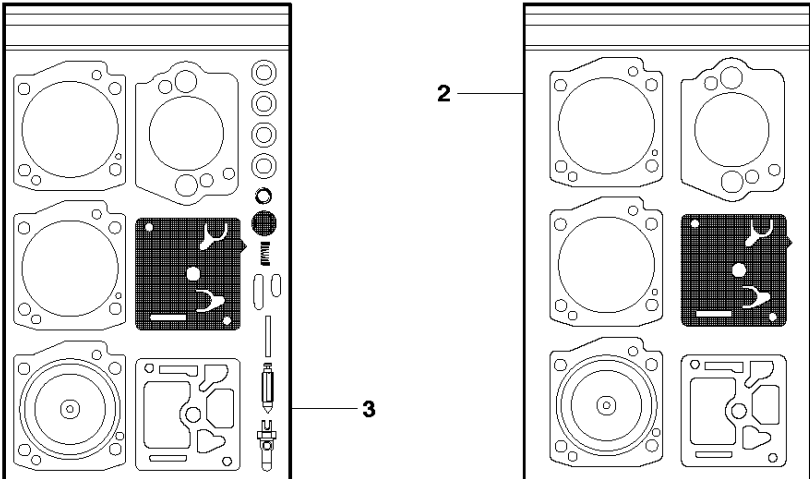
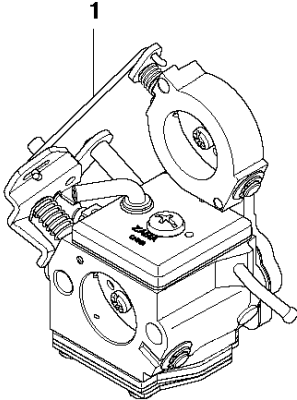


AIR FILTER

K760, 2013-02

Ref	Part No	Description	Remark	QTY	KIT
1	581 35 74-01	GASKET KIT	incl. 2 - 6, 21 - 23	1	
2	506 37 69-02	GASKET		1	
3	506 37 70-03	GASKET		1	
4	544 21 93-02	INSERT		1	
5	503 26 02-04	SEALING RING	Blue	2	
6	581 28 53-01	GASKET		1	
7	574 36 23-02	AIR FILTER ASSY	Incl. 8	1	
8	525 47 06-01	AIR FILTER ASSY		1	
9	575 35 40-01	CARBURETTOR BRACKET	Incl. 10	1	
10	503 22 65-04	SQUARE NUT		4	
11	503 21 53-10	SCREW ITXSCM		2	
12	506 37 06-01	FLANGE INLET PIPE		1	
13	525 73 32-01	INLET PIPE		1	
14	503 21 53-20	SCREW ITXSCM		1	
15	576 89 01-01	HEAT SHIELD		1	
16	525 73 31-01	INLET PIPE		1	
17	578 76 07-01	IMPULSE HOSE		1	
18	574 23 18-01	PLATE		1	1
19	503 21 53-56	SCREW ITXSCM		2	
20	578 24 34-01	CARBURETTOR	Zama C3-EL53	1	
21	506 37 68-04	GASKET		1	
22	506 37 67-01	CYLINDER		1	
23	506 37 70-02	GASKET		1	

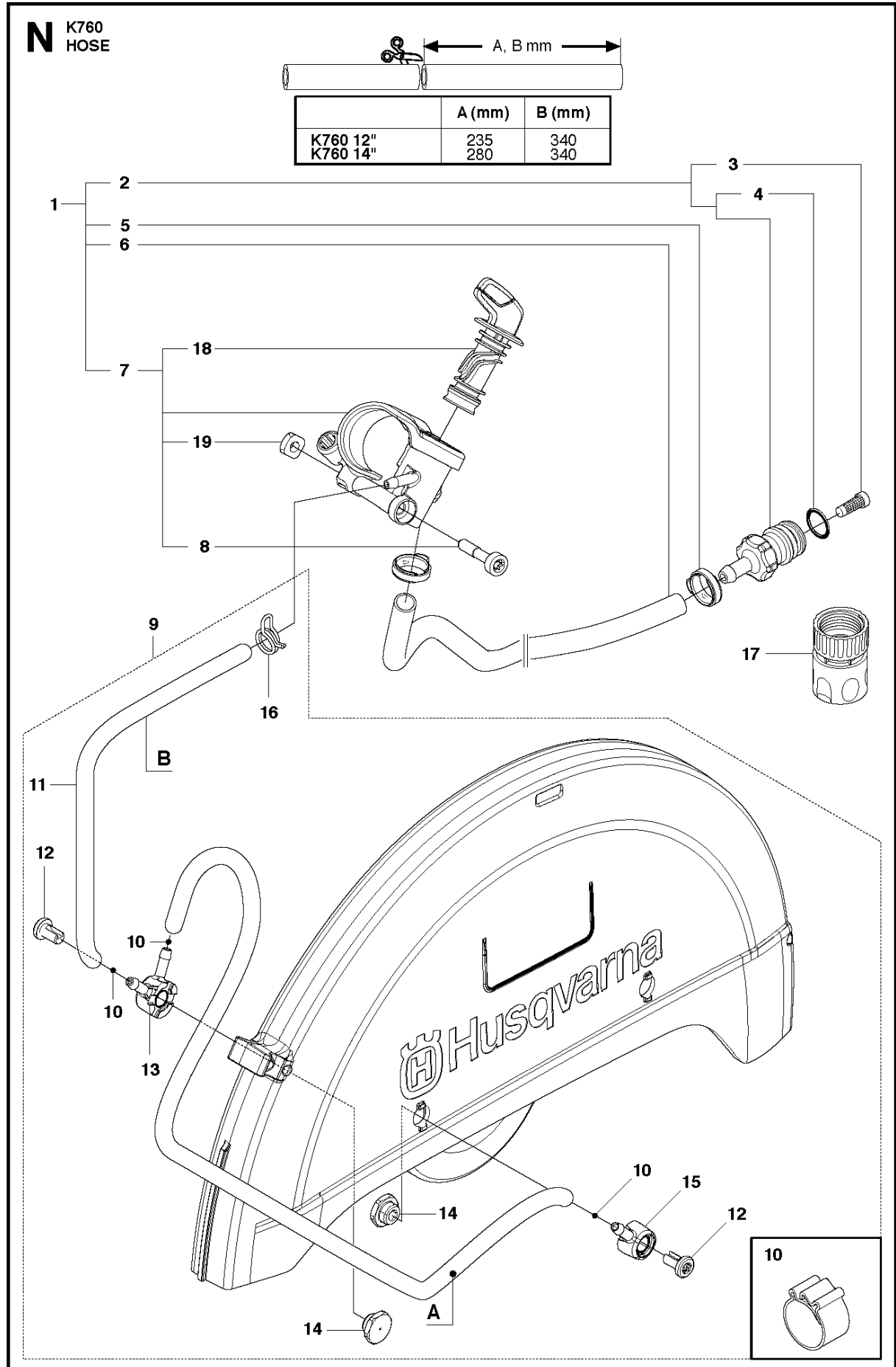
M K760
CARBURETTOR



CARBURETOR

K760, 2013-02

Ref	Part No	Description	Remark	QTY KIT
1	578 24 34-01	CARBURETTOR	Zama C3-EL53	1
2	506 40 99-02	GASKET KIT		1
3	506 41 00-04	GASKET KIT		1

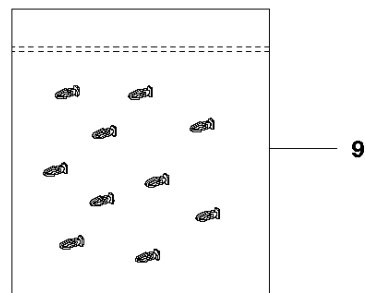
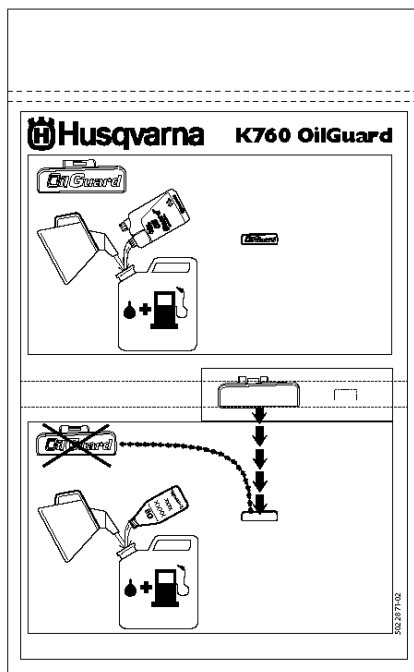
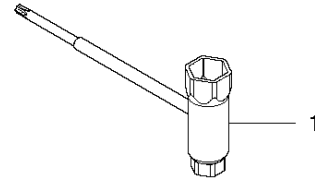
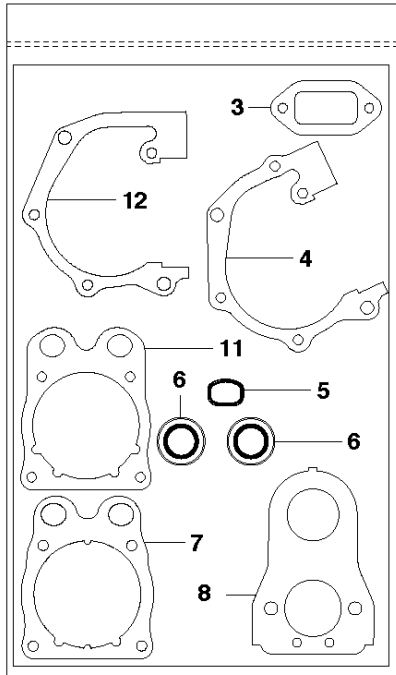


WATER HOSE KIT

K760, 2013-02

Ref	Part No	Description	Remark	QTY KIT
1	581 47 62-01	HOSE KIT	Incl. 2, 5 - 7 & Hose Guard	1
2	581 47 83-01	NIPPLE	Incl. 3, 4	1
3	506 29 88-01	FILTER		1
4	505 10 35-01	O-RING		1
5	581 78 35-01	HOSE CLAMP		2
6	578 19 81-01	HOSE		1
7	578 24 33-02	VALVE ASSY	Incl. 8, 18, 19	1
8	503 21 53-41	SCREW ITXSCM		1
9	581 72 15-01	HOSE KIT	Incl. 10 - 16	1
10	506 49 87-04	HOSE CLAMP		3
11	578 19 83-05	HOSE	800 mm	1
12	504 63 46-01	SCREW ITXSCM		2
13	578 19 07-01	HOUSING		1
14	576 79 84-01	NIPPLE		2
15	578 19 08-01	HOUSING		1
16	583 83 30-01	HOSE CLAMP		1
17	503 26 60-03	COUPLER	USA, Canada	1
17	503 26 60-04	COUPLER		1
18	581 35 70-01	LEVER ASSY	With O-rings	1
19	503 22 65-04	SQUARE NUT		1

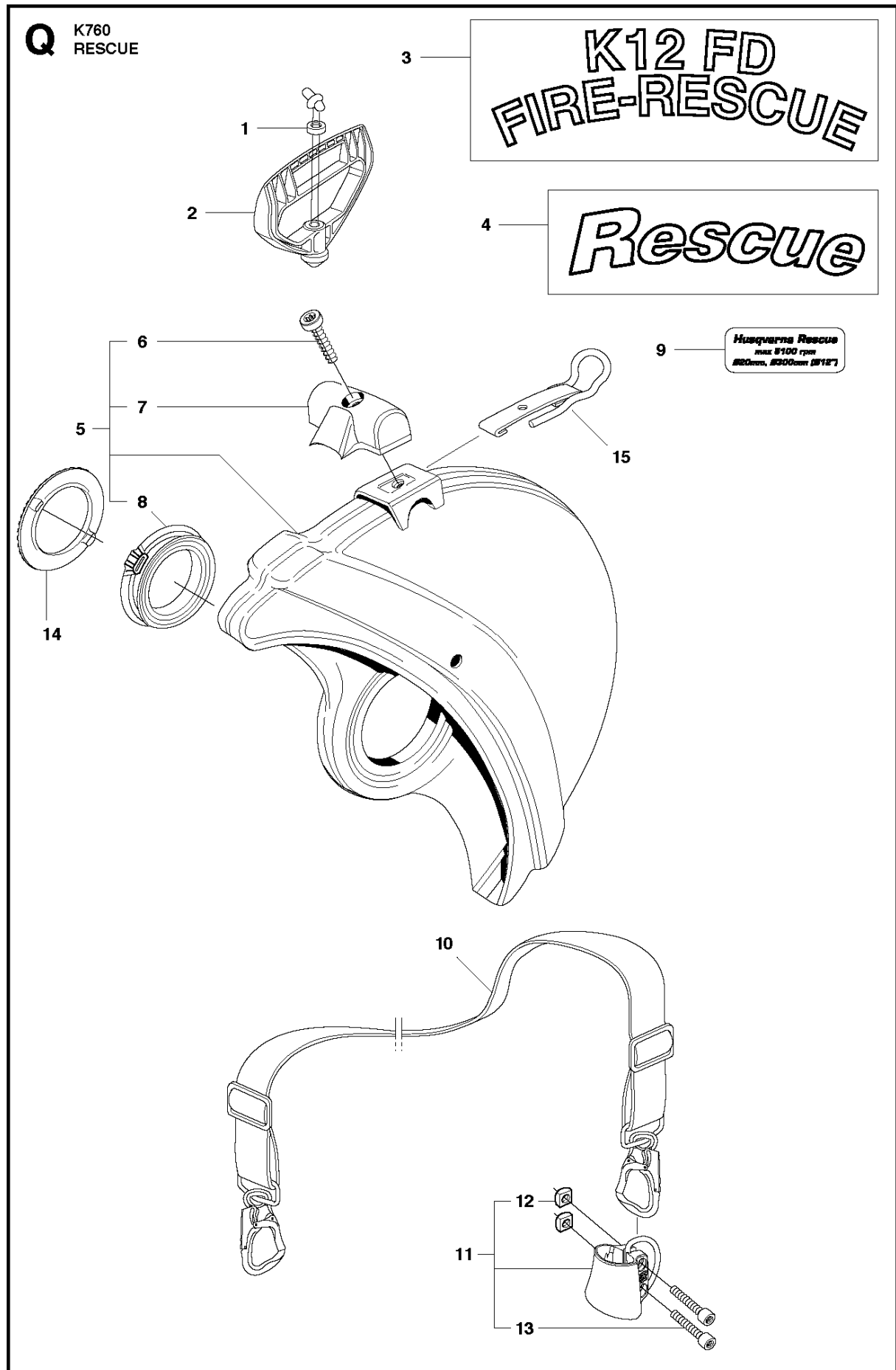
P K760
GASKET KIT



GASKET KIT

K760, 2013-02

Ref	Part No	Description	Remark	QTY KIT
1	506 38 26-01	TOOL		1
2	581 35 74-01	GASKET KIT	Incl. 3-8, 11-12	1
3	506 37 69-02	GASKET		1
4	506 37 70-03	GASKET		1
5	544 21 93-02	INSERT		1
6	503 26 02-04	SEALING RING	Blue	2
7	581 28 53-01	GASKET		1
8	506 37 68-04	GASKET		1
9	502 23 33-01	KIT	Incl. 10 Pins	1
10	502 28 70-03	KIT		1
11	506 37 67-01	CYLINDER		1
12	506 37 70-02	GASKET		1



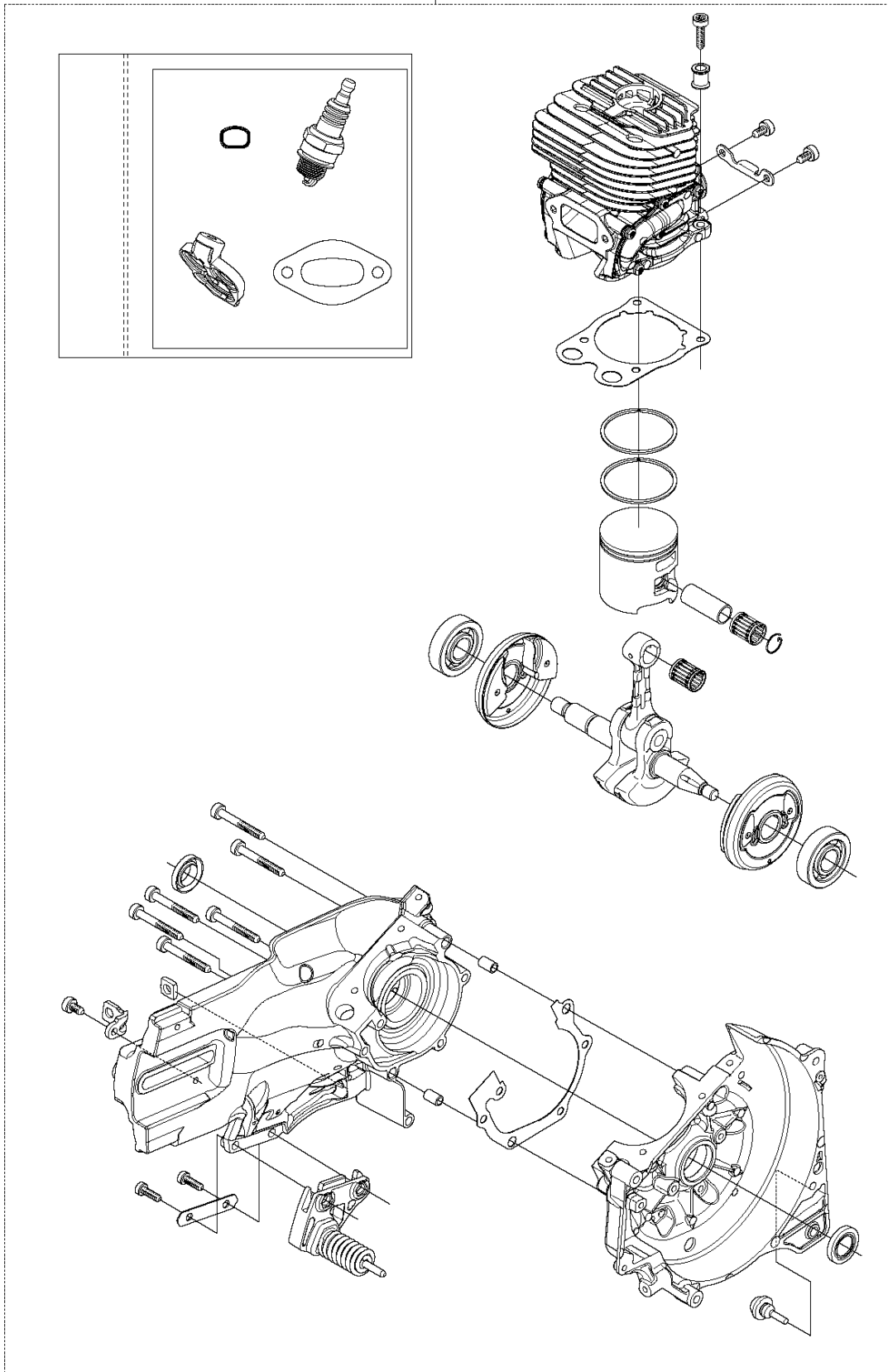
RESCUE

K760, 2013-02

Ref	Part No	Description	Remark	QTY KIT
1	503 14 29-02	WASHER		1
2	506 29 75-02	STARTER HANDLE		1
3	506 32 20-02	LABEL		1
4	506 30 23-02	LABEL		1
5	505 41 27-03	WHEEL GUARD	"Rescue 12"". Incl. 6 - 8"	1
6	503 21 53-25	SCREW ITXSCM		1
7	506 34 46-02	HANDLE		1
8	506 26 63-02	LINING		1
9	544 89 06-02	LABEL		1
10	586 45 60-01	SHOULDER STRAP		1
11	588 73 14-02	BRACKET	Incl. 12, 13	1
12	503 22 65-04	SQUARE NUT		2
13	503 21 53-12	SCREW ITXSCM		2
14	506 26 64-01	SCREEN		1
15	588 03 34-01	BRACKET		1

R K760
ENGINE KIT

1



ENGINE KIT

K760, 2013-02

Ref	Part No	Description	Remark	QTY KIT
1	581 72 19-02	ENGINE KIT		1