

K750

Reservdelar

Spare parts

Ersatzteile

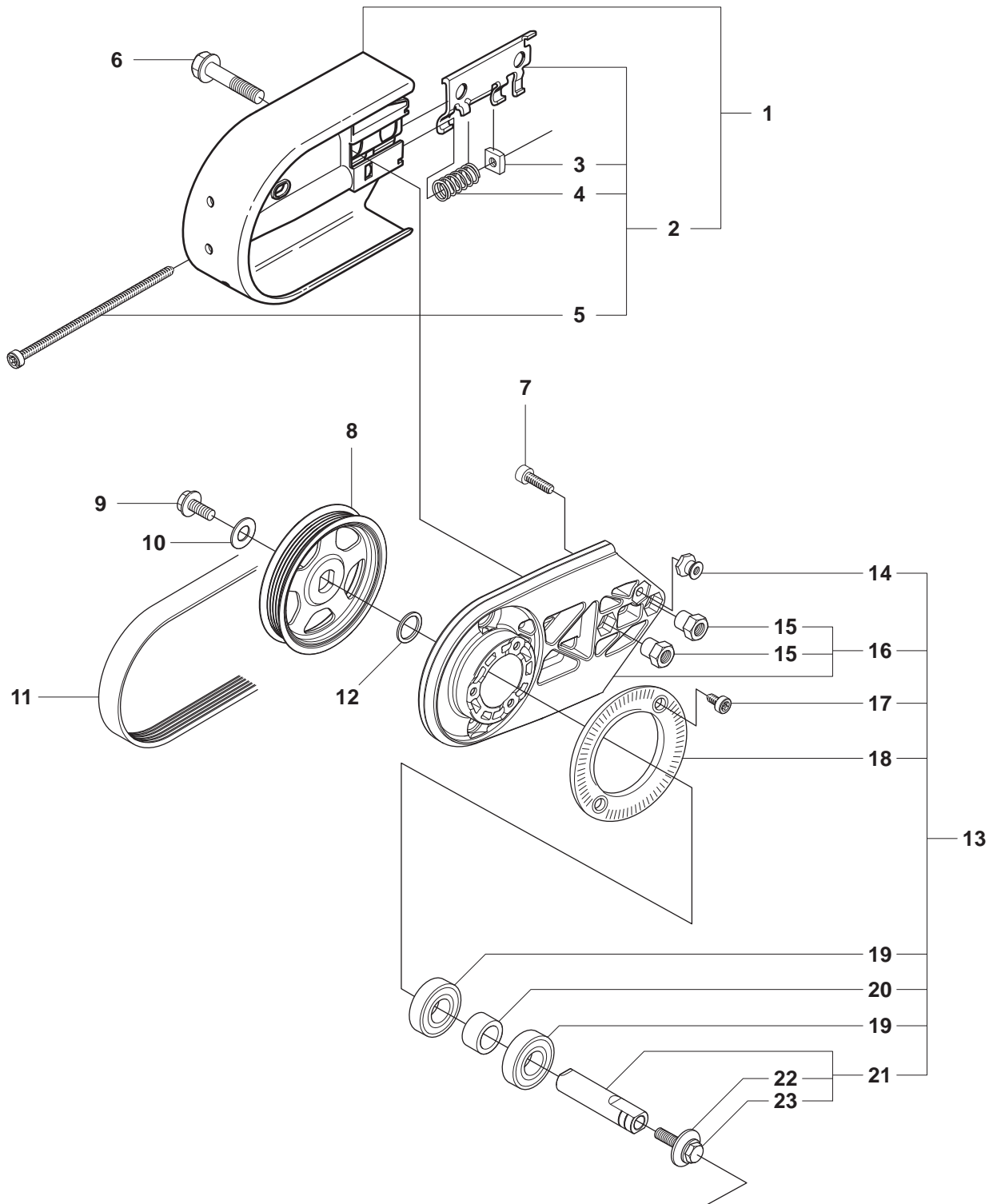
Pieces de rechange

Piezas de repuesto

Ricambi

Peças sobresselente

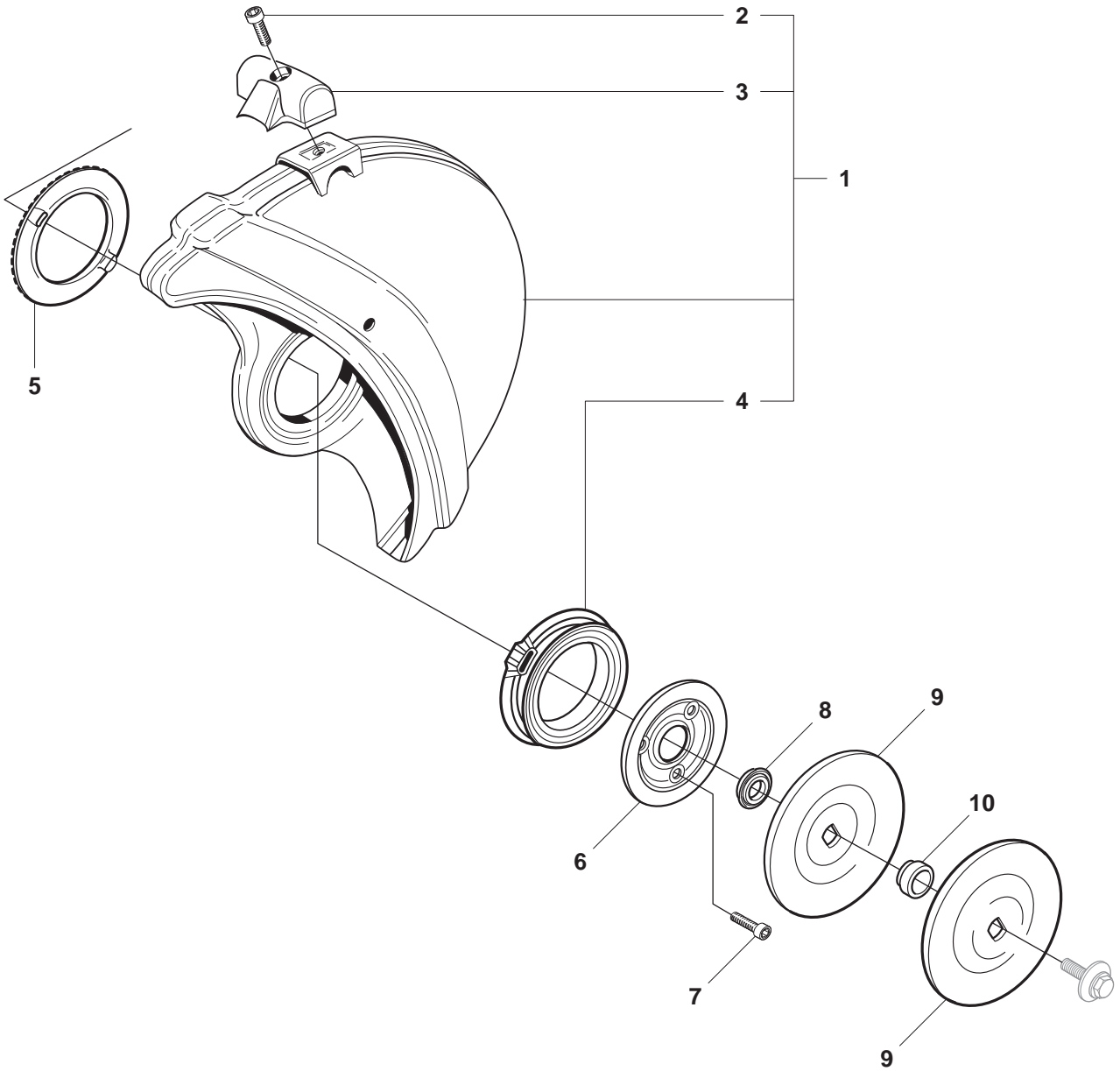
A K750



A K750

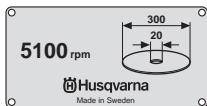
Pos.	Compl No.	Part No.	Description	Qty.	Notes
1		506 39 36-02	BELT GUARD	1	Incl. 2
2		506 26 66-04	BELT TENSIONER ASSY	1	Incl. 3, 4, 5
3		506 40 93-01	NUT	1	
4		506 26 68-01	COMPRESSION SPRING	1	
5		503 20 72-75	SCREW	1	
6		506 28 44-02	COLLAR SCREW	2	
7		725 53 29-55	SCREW	1	
8		506 36 96-01	PULLEY	1	
9		503 20 00-45	SCREW COLLAR	1	
10		503 23 01-16	WASHER STEEL	1	
11		544 90 84-02	BELT	1	
12		503 23 01-04	WASHER STEEL	1	
13		506 39 42-03	BEARING HOUSING	1	Incl. 14, 16, 17, 18, 19, 20, 21
14		506 14 32-01	TORSION STOP	1	
15		506 28 73-01	NUT	2	
16		506 39 42-11	BEARING HOUSING	1	Incl. 15
17		503 21 53-10	SCREW	2	
18		506 28 84-01	SCREEN PATTERN FLANG	1	
19		503 25 21-01	BALL BEARING	2	
20		506 07 08-01	SPACING SLEEVE	1	
21		506 29 83-63	SHAFT	1	Incl. 22, 23
22		506 13 95-11	WASHER	1	
23		506 13 96-01	COLLAR SCREW	1	

B K750



- Maskinen får ej användas innan skylt med rätt spindelvarvtal monterats.
- The machine must not be used before the label is mounted stating correct spindle speed.
- Dieses Gerät darf erst nach montage des typschil-des mit Spindelvarvtal-Angabe benutzt werden.
- La machine ne devra être mise en service qu'après installation préalable d'une plaque indiquant de la broche.

11

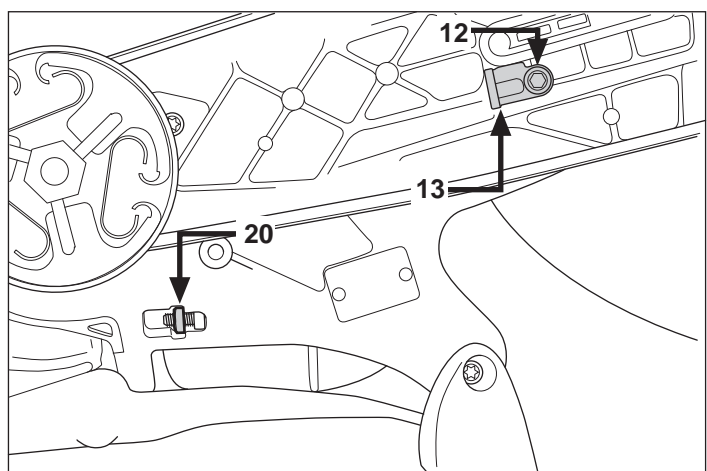
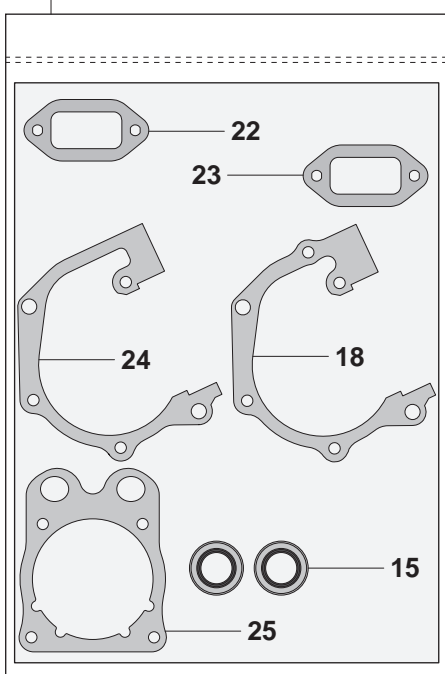
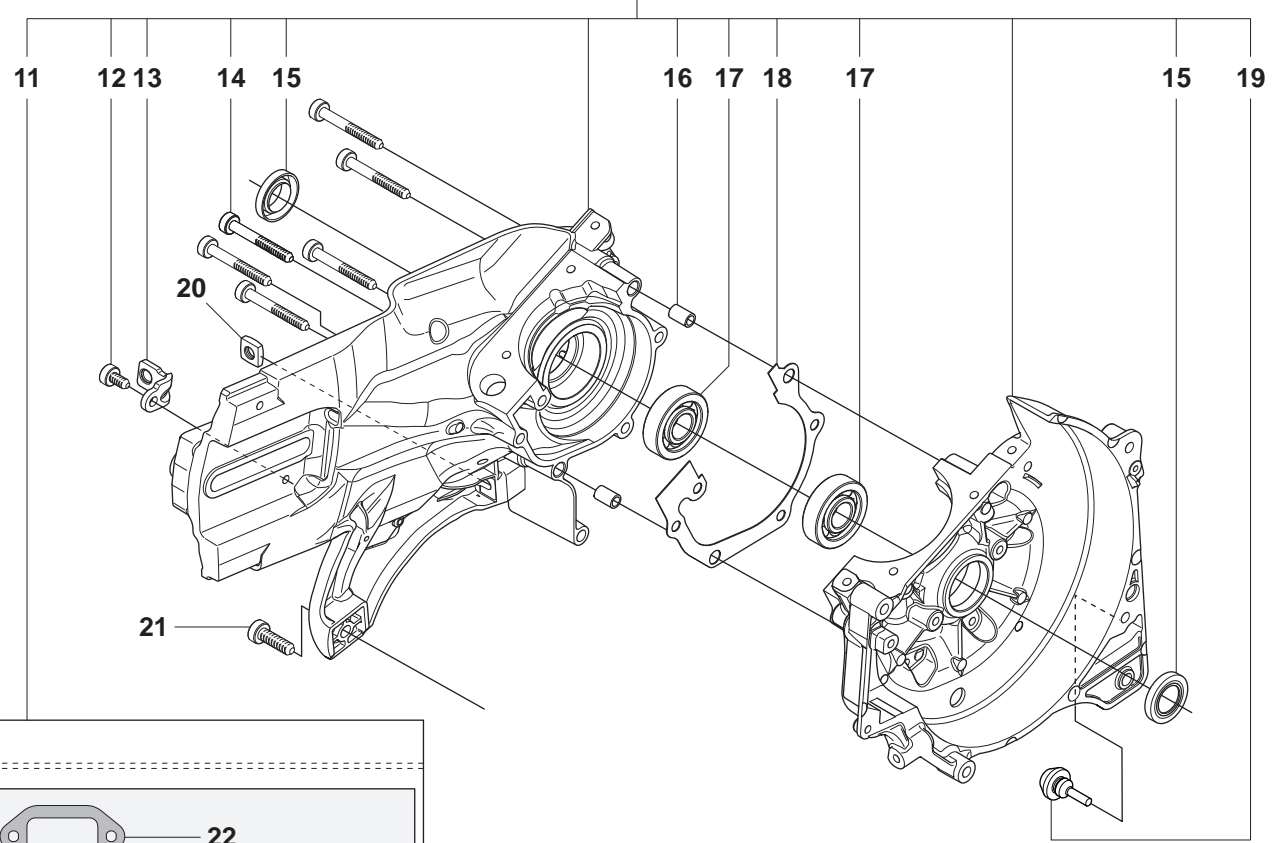
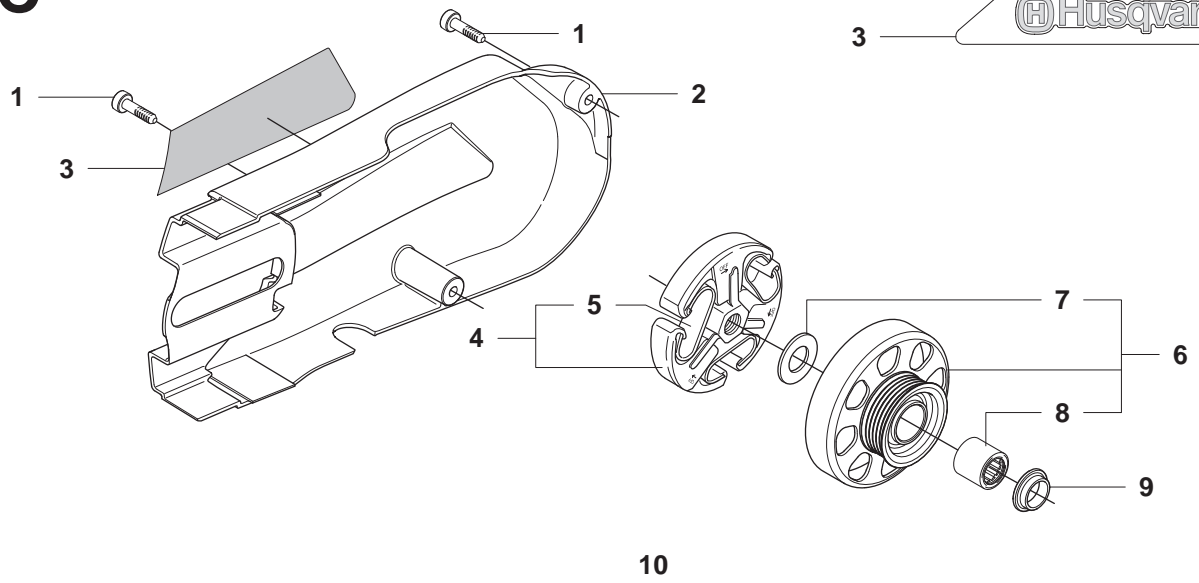


12

B K750

Pos.	Compl No.	Part No.	Description	Qty.	Notes
1		506 34 05-02	WHEEL GUARD ASSY	1	12", Incl. 2, 3, 4
1		506 34 05-04	WHEEL GUARD ASSY	1	14", Incl. 2, 3, 4
2		725 53 31-05	SCREW	1	
3		506 34 46-02	HANDLE	1	
4		506 26 63-02	LINING	1	
5		506 26 64-01	SCREEN PATTERN FLANG	1	
6		506 26 65-01	FLANGE	1	
7		725 53 29-55	SCREW	1	
8		506 32 48-01	SUPPORT FLANGE	1	
9		506 02 87-01	WASHER	2	Diam 105 mm
9		506 07 09-01	WASHER	2	Diam 119 mm
10		506 37 96-22	BUSHING	1	Diam 20 mm
10		506 37 96-20	BUSHING	1	Diam 22,2 mm
10		506 37 96-25	BUSHING	1	Diam 25,4 mm
10		506 02 88-30	BUSHING	1	Diam 30,5 mm
11		505 39 75-13	INFORMATION LABEL	1	
12		506 28 41-04	LABEL	1	12", Diam 1"
12		506 28 41-02	LABEL	1	12", Diam 20 mm
12		506 28 41-14	LABEL	1	14", Diam 1"
12		506 28 41-12	LABEL	1	14", Diam 20 mm

C K750

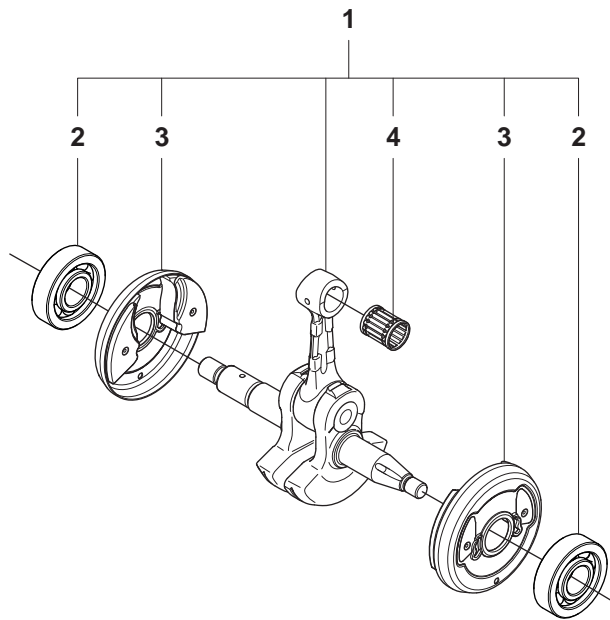


C K750

Pos.	Compl No.	Part No.	Description	Qty.	Notes
1		503 21 53-21	SCREW	2	
2		506 36 91-03	BELT GUARD	1	
3		544 89 11-01	LABEL	1	
4		503 74 44-04	CLUTCH ASSY	1	Incl. 5
5		503 74 43-01	CLUTCH SPRING	3	
6		506 37 83-03	CLUTCH WHEEL	1	Incl. 7, 8
7		503 23 00-73	WASHER STEEL	1	
8		505 30 24-15	NEEDLE BEARING	1	
9		506 39 30-01	WASHER	1	
10		544 88 90-02	CRANKCASE ASSY	1	Incl. 11, 12, 13, 14, 15, 16, 17, 18, 19
11		506 38 53-04	GASKET KIT	1	
12		503 20 03-12	SCREW	1	
13		544 00 78-01	BRACKET	1	
14		503 21 53-41	SCREW	6	
15		503 26 02-04	SEALING RING	2	
16		501 27 08-01	GUIDE BUSHING	2	
17		738 22 02-25	BALL BEARING	2	
18		506 37 70-03	GASKET CRANKCASE	1	6 bolts crakcase
19		503 84 61-01	BUFFER	1	
20		503 22 65-04	NUT	1	
21		544 06 12-01	SCREW	1	
22		506 41 23-01	GASKET	1	
23		506 37 69-02	GASKET MUFFLER	1	
24		506 37 70-02	GASKET CRANKCASE	1	5 bolts crakcase
25		506 37 67-02	GASKET CYLINDER BASE	1	

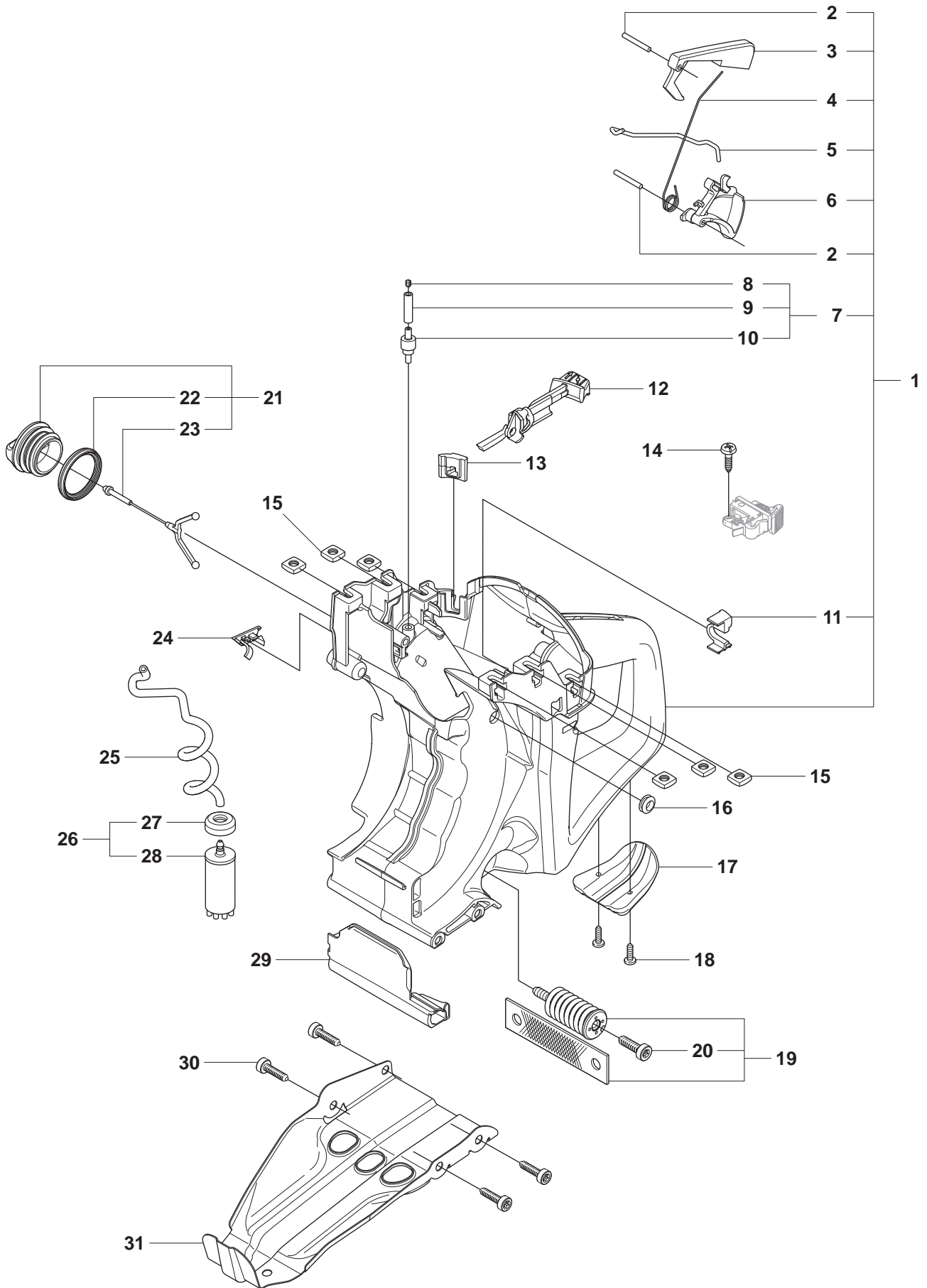
D K750

Pos.	Compl No.	Part No.	Description	Qty.	Notes
1		506 38 61-71	CYLINDER ASSY	1	Incl. 2, 3, 4, 5, 6, 7
2		503 55 22-01	PLUG	1	
3		506 41 23-01	GASKET	1	
4		506 37 69-02	GASKET MUFFLER	1	
5		506 37 67-02	GASKET CYLINDER BASE	1	
6		506 37 24-01	PISTON ASSY	1	Incl. 8, 9
7		503 25 56-01	NEEDLE BEARING	1	
8		503 28 90-47	PISTON RING	2	
9		737 43 12-00	RETAINING	2	
10		506 38 91-02	VIB.INSULATOR	1	
11		503 21 53-25	SCREW	4	
12		503 21 53-16	SCREW	2	
13		506 36 88-01	BRACKET	1	
14		506 37 58-02	COOLING PLATE	1	
15		503 21 54-20	SCREW	1	
16		503 71 53-01	DECOMPRESSION VALVE	1	
17		544 00 14-02	MUFFLER KIT	1	Incl. 3, 4, 18, 19, 20, 21
18		506 36 42-03	MUFFLER	1	
19		503 21 53-41	SCREW	2	
20		503 21 53-56	SCREW	1	
21		503 21 53-21	SCREW	1	
22		506 38 53-04	GASKET KIT	1	Incl. 4, 5, 6, 23, 24, 25
23		506 37 70-02	GASKET CRANKCASE	1	5 bolts crakcase
24		506 37 70-03	GASKET CRANKCASE	1	6 bolts crakcase
25		503 26 02-04	SEALING RING	2	



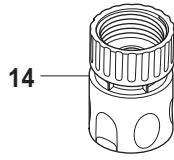
E K750

Pos.	Compl No.	Part No.	Description	Qty.	Notes
1		506 37 10-71	CRANKSHAFT ASSY	1	Incl. 2, 3, 4
2		738 22 02-25	BALL BEARING	2	
3		537 20 33-01	CUP	2	
4		503 25 56-01	NEEDLE BEARING	1	

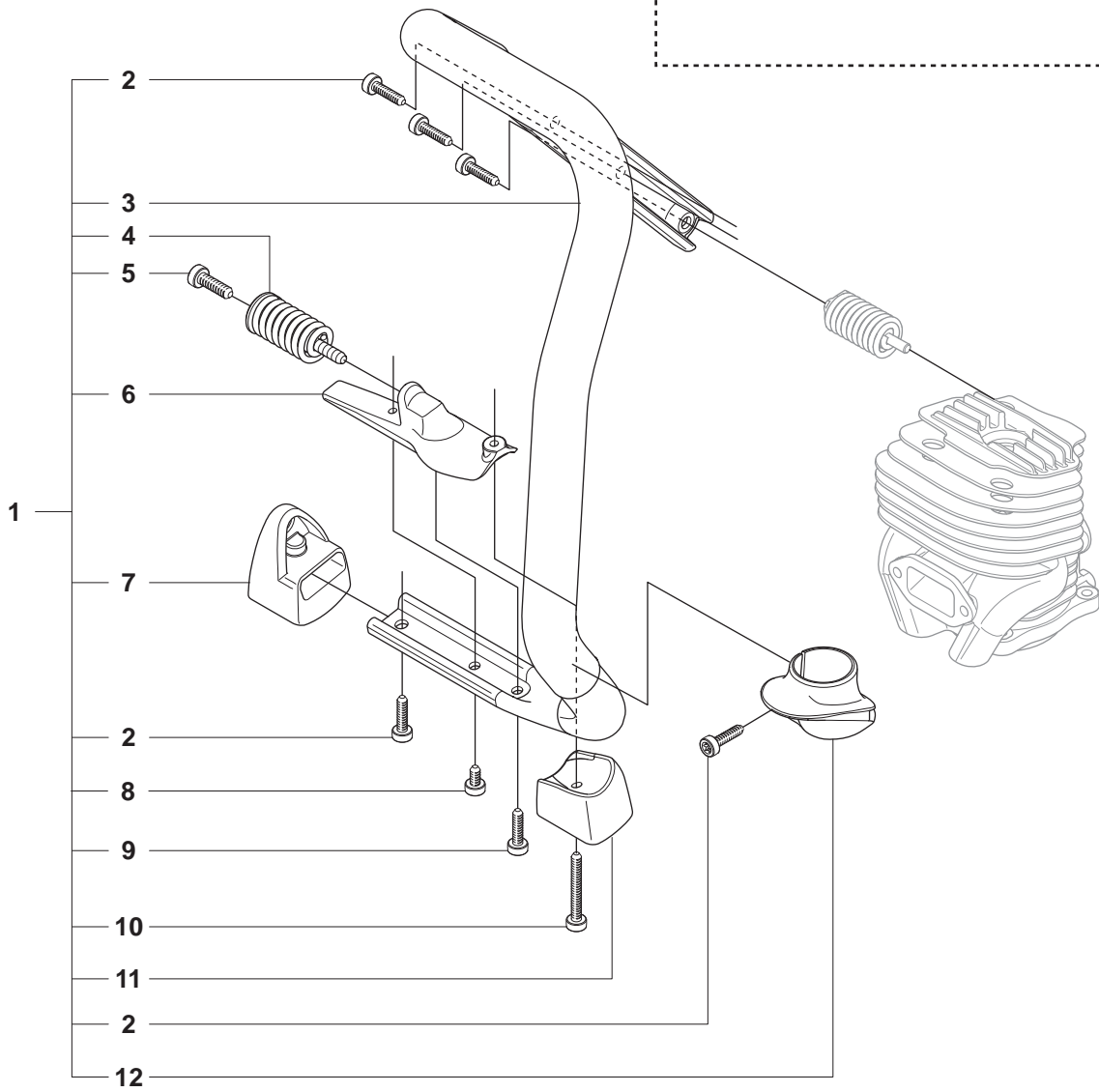
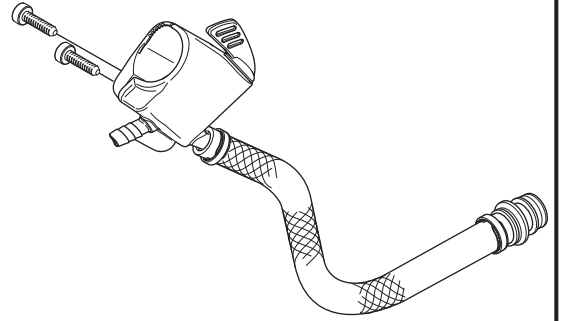


F K750

Pos.	Compl No.	Part No.	Description	Qty.	Notes
1		506 38 65-12	FUEL TANK	1	Incl. 2, 3, 4, 5, 6, 7, 11
2		720 12 40-20	PARALLEL PIN	1	
3		506 22 28-02	THROTTLE LOCKOUT	1	
4		506 37 95-01	SPRING	1	
5		506 37 13-01	THROTTLE ROD	1	
6		506 37 20-03	THROTTLE TRIGGER	1	
7		506 38 66-01	TANK VENT ASSY	1	Incl. 8, 9, 10
8		504 35 72-01	FILTER PLUG	1	
9		501 76 83-28	FUEL HOSE	1	
10		503 16 40-01	TANK VENT	1	
11		544 39 32-01	HOSE CLIP	1	
12		544 22 90-01	CHOKE CONTROL	1	
13		506 37 80-01	GROMMET	1	
14		503 21 28-06	SCREW CCRPANT	1	
15		503 22 65-04	NUT	6	
16		501 27 13-02	CABLE GROMMET	1	
17		506 38 67-02	GROUND SUPPORT	1	
18		503 21 45-16	SCREW	2	
19		537 21 03-07	AV-ELEMENT	1	Incl. 20
20		544 06 12-01	SCREW	1	
21		506 25 59-03	TANK CAP ASSY	1	Incl. 22, 23
22		506 29 21-01	GASKET	1	
23		503 57 89-01	HOLDER	1	
24		506 39 46-01	CAP	1	
25		503 57 76-03	FUEL HOSE	1	
26		506 26 41-11	FUEL FILTER	1	Incl. 27, 28
27		506 27 11-01	HOSE CLAMP	1	
28		506 26 41-01	FUEL FILTER	1	
29		506 38 15-01	HEAT SHIELD	1	
30		503 21 54-20	SCREW	4	
31		506 37 19-02	BASE PLATE	1	

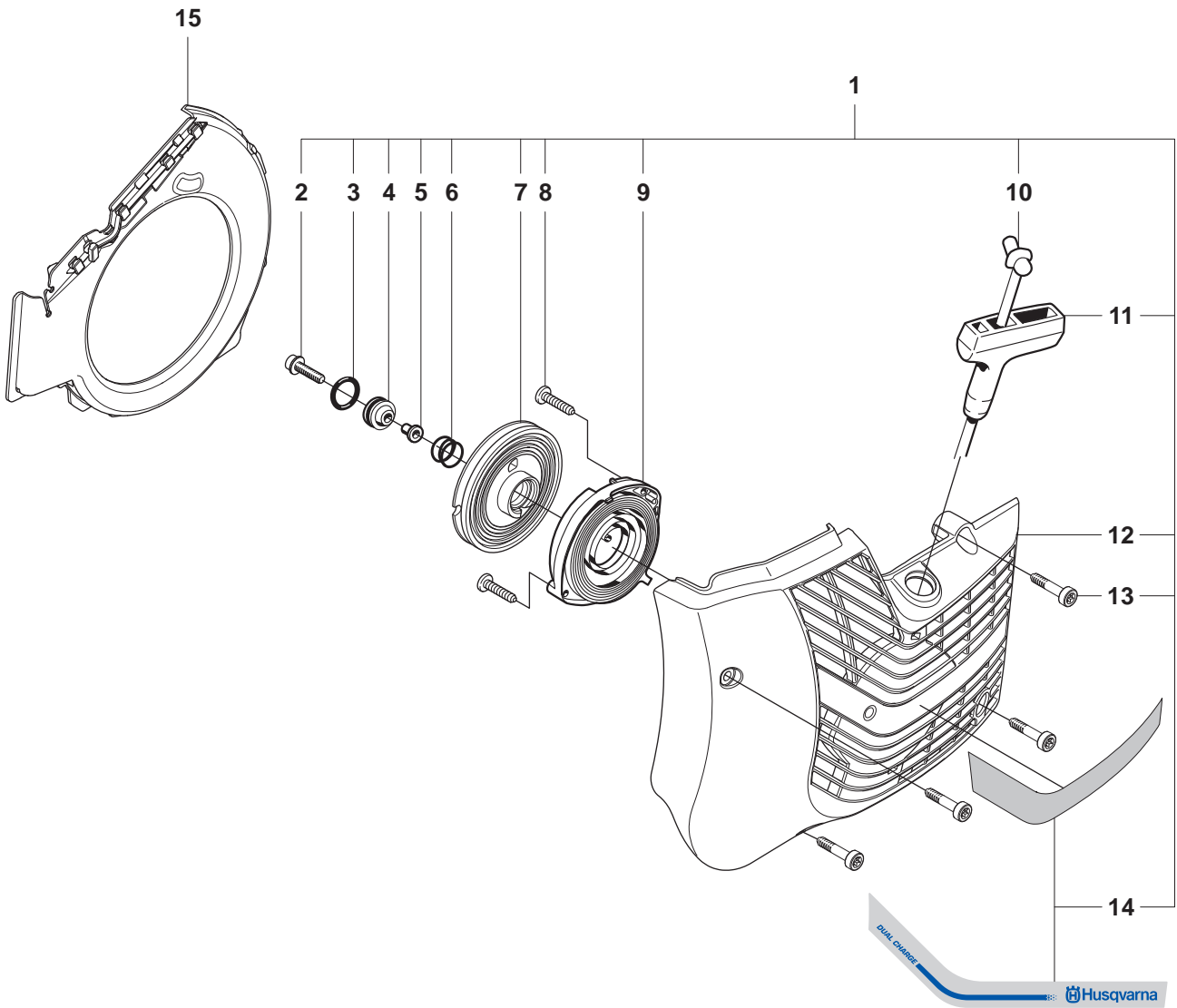


13



G K750

Pos.	Compl No.	Part No.	Description	Qty.	Notes
1		506 38 58-02	HANDLE	1	Incl. 2, 3, 4, 5, 6, 7, 8, 9, 10, 11, 12, 13
2		503 21 54-20	SCREW	5	
3		506 37 11-03	FRONT HANDLE	1	
4		537 21 03-08	AV-ELEMENT	1	
5		544 06 12-01	SCREW	1	
6		506 37 72-02	SPRING RETAINER	1	
7		506 37 55-02	GROUND SUPPORT	1	
8		503 21 53-16	SCREW	1	
9		503 21 53-21	SCREW	1	
10		503 21 53-40	SCREW	1	
11		506 37 56-02	GROUND SUPPORT	1	
12		506 38 71-02	STOP	1	
13		506 38 59-04	HOSE	1	
14		503 26 60-02	COUPLER	1	

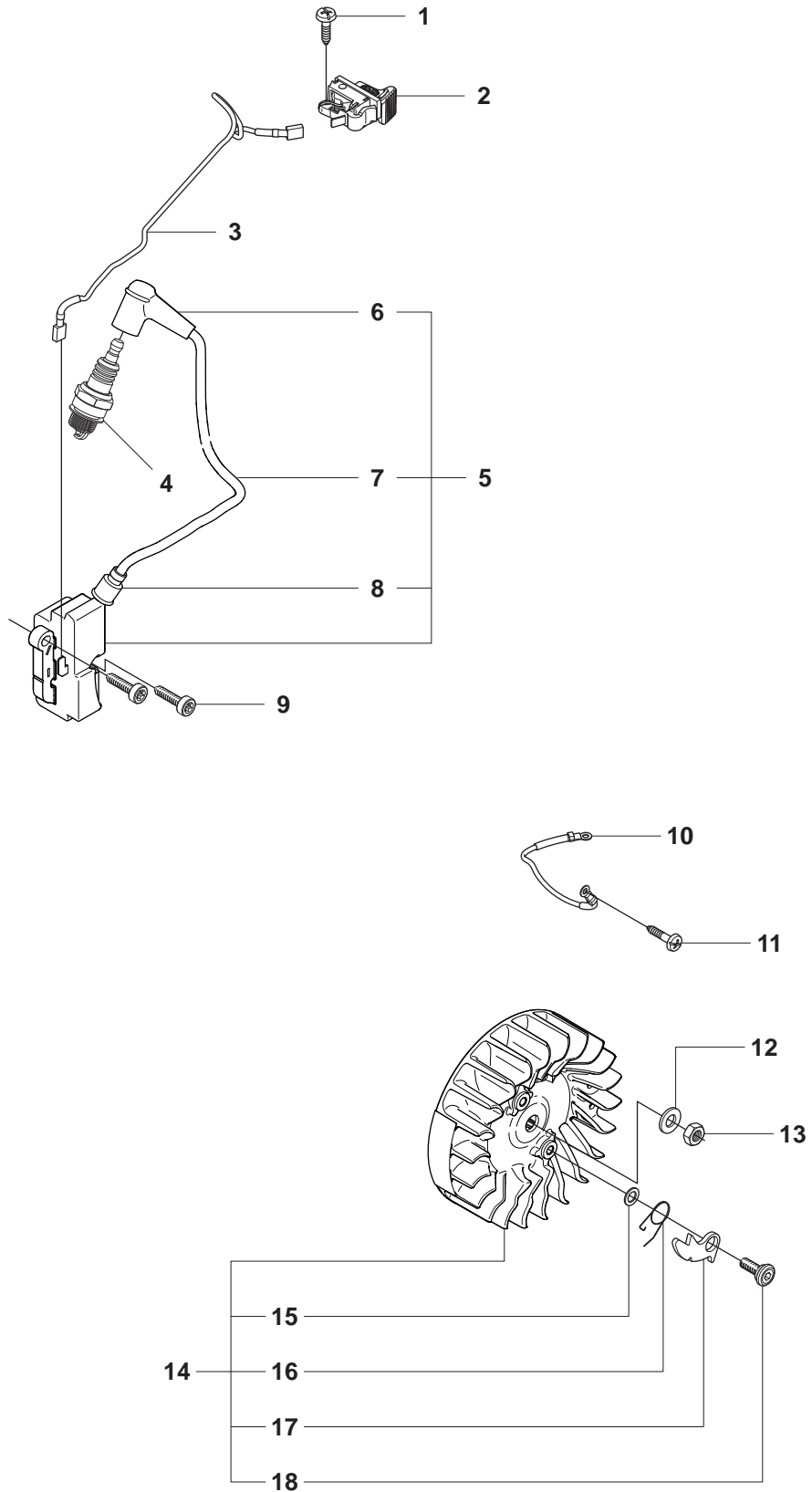


H K750

Pos.	Compl No.	Part No.	Description	Qty.	Notes
1		506 38 56-12	STARTER	1	Incl. 2, 3, 4, 5, 6, 7, 8, 9, 10, 11, 12, 13, 14
2		503 21 67-22	SCREW	1	
3		740 43 13-00	O-RING	1	
4		506 25 14-01	GROMMET	1	
5		506 26 31-01	SPACING SLEEVE	1	
6		506 25 30-01	COMPRESSION SPRING	1	
7		506 25 81-02	STARTER PULLEY	1	
8		503 21 28-10	SCREW	2	
9		506 25 89-01	RECOIL SPRING	1	
10		506 33 56-15	STARTER CORD	1	
10		506 33 56-50	STARTER CORD	1	50m Coil
11		503 12 79-01	STARTER HANDLE	1	
12		506 36 92-03	STARTER COVER	1	
13		503 21 53-21	SCREW	4	
14		544 89 08-01	LABEL	1	
15		544 38 39-01	AIR CONDUCTOR	1	

J

K750

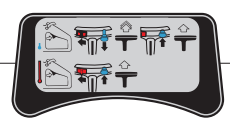
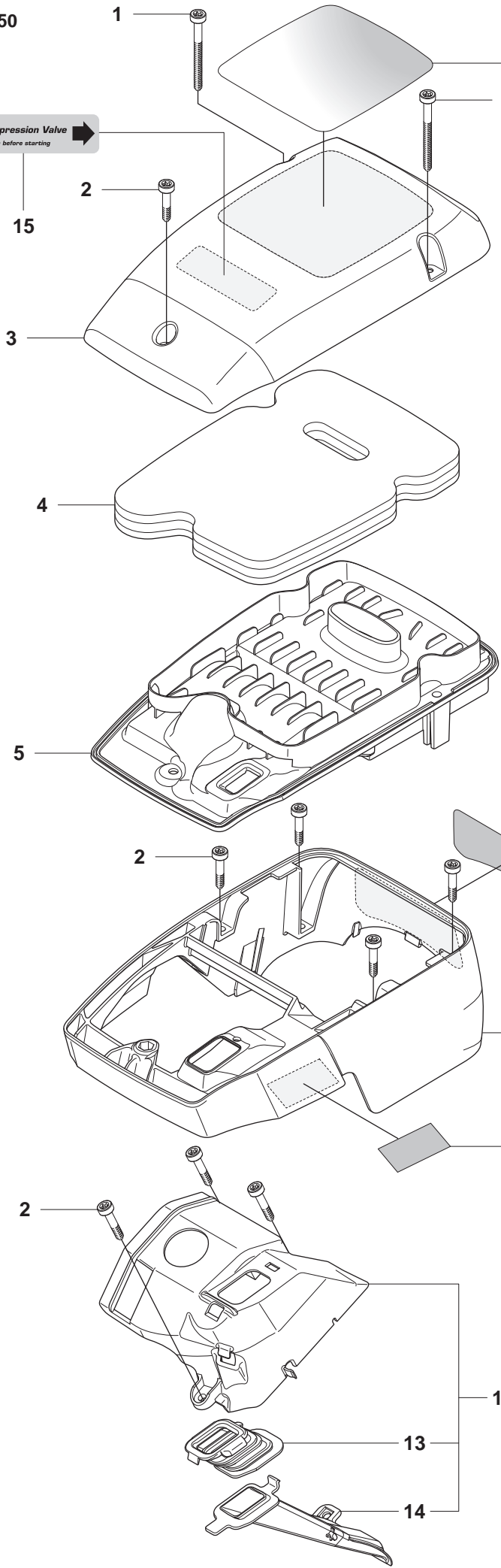


J K750

Pos.	Compl No.	Part No.	Description	Qty.	Notes
1		503 21 28-06	SCREW	1	
2		506 31 86-02	STOP SWITCH	1	
3		506 37 84-02	CABLE	1	
4		503 23 51-09	SPARK PLUG	1	RCJ 6 Y
5		544 04 75-02	IGNITION MODULE	1	Incl. 6, 7, 8
6		501 48 54-02	SPARK PLUG CAP	1	
7		506 38 78-34	IGNITION CABLE	1	
8		505 27 75-16	INSULATING CUP	1	
9		503 21 53-20	SCREW	2	
10		506 37 85-01	CABLE	1	
11		503 21 28-10	SCREW	1	
12		503 23 01-01	WASHER STEEL	1	
13		503 22 10-11	NUT	1	
14		506 27 27-10	FLYWHEEL	1	Incl. 15, 16, 17, 18
15		503 23 00-42	WASHER STEEL	2	
16		501 63 48-01	SPRING	2	
17		501 67 32-03	PAWL	2	
18		501 81 99-01	SCREW	2	

K K750

Decompression Valve
Push before starting

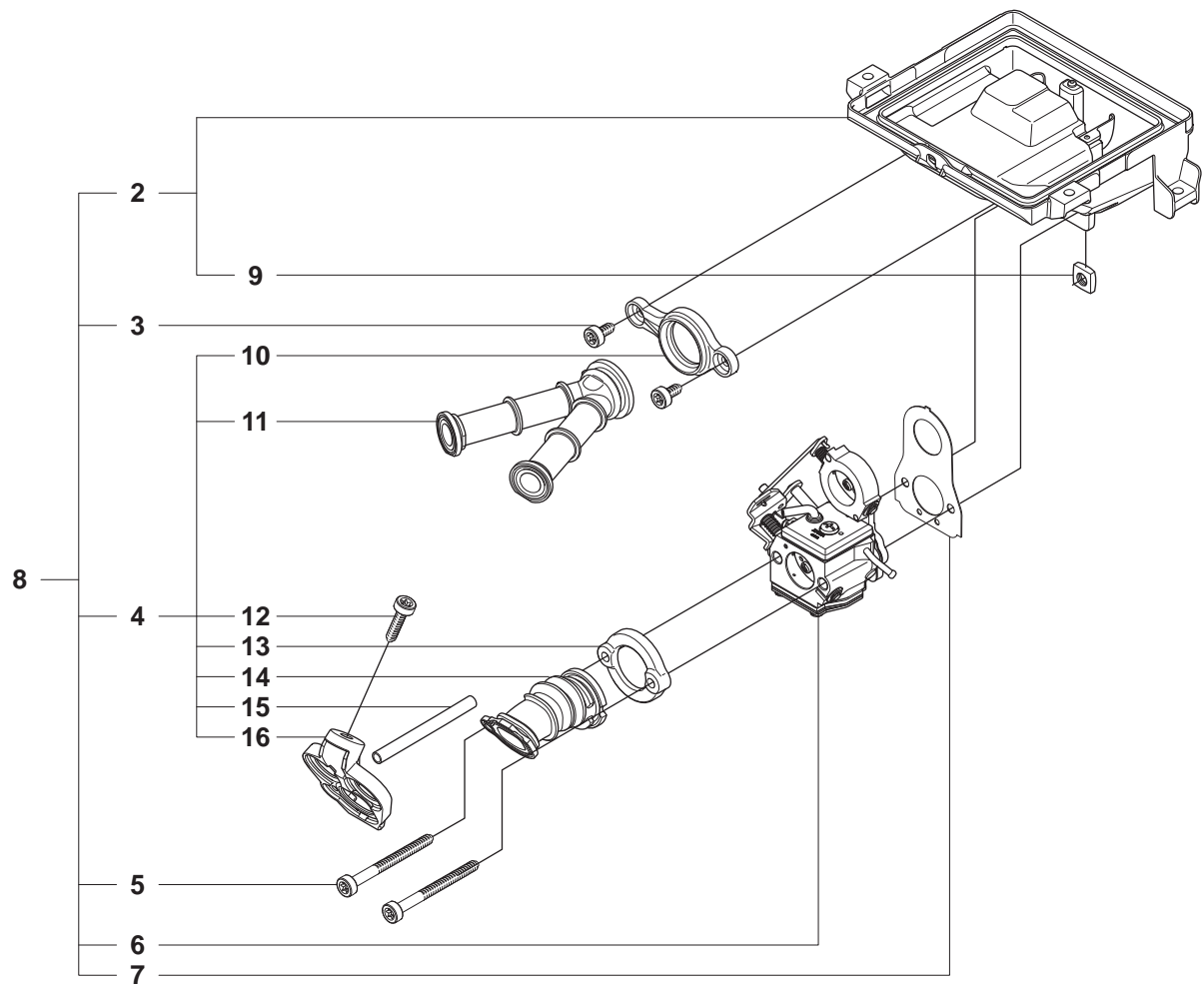
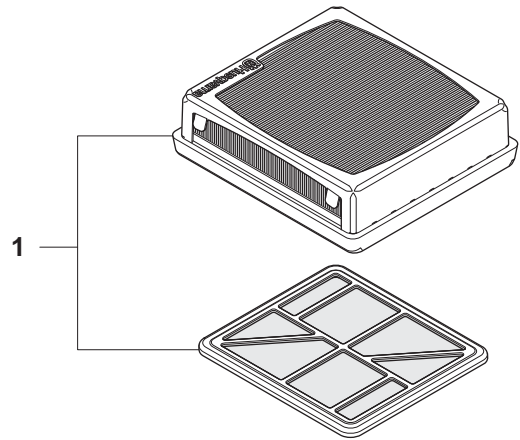


K K750

Pos.	Compl No.	Part No.	Description	Qty.	Notes
1		503 21 53-56	SCREW	2	
2		503 21 53-21	SCREW	8	
3		506 36 68-02	FILTER COVER	1	
4		506 36 71-01	PREFILTER	1	
5		506 36 69-02	FILTER BOTTOM	1	
6		544 87 44-02	LABEL	1	CE
7		544 87 44-01	LABEL	1	EPA USA
8		544 87 44-03	LABEL	1	EPA Canada
9		506 39 84-02	CYLINDER COVER ASSY	1	Incl. 10, 11
10		544 89 09-01	LABEL	1	
11		544 89 10-01	LABEL	1	
12		506 38 62-01	COVER	1	Incl. 13, 14
13		506 37 04-01	BELLOWS	1	
14		506 37 03-01	AIR NOZZLE	1	



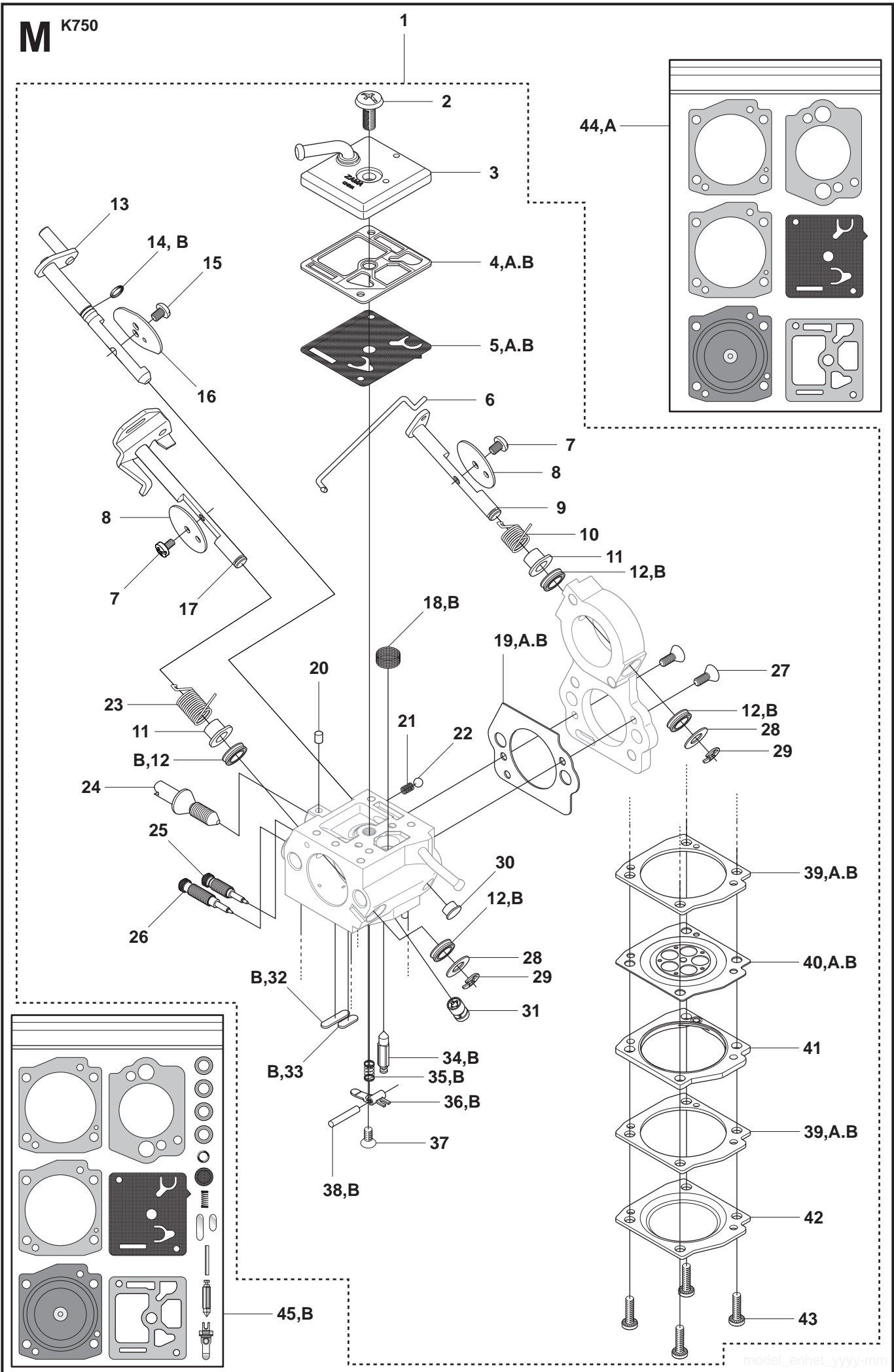
K750





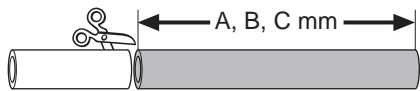
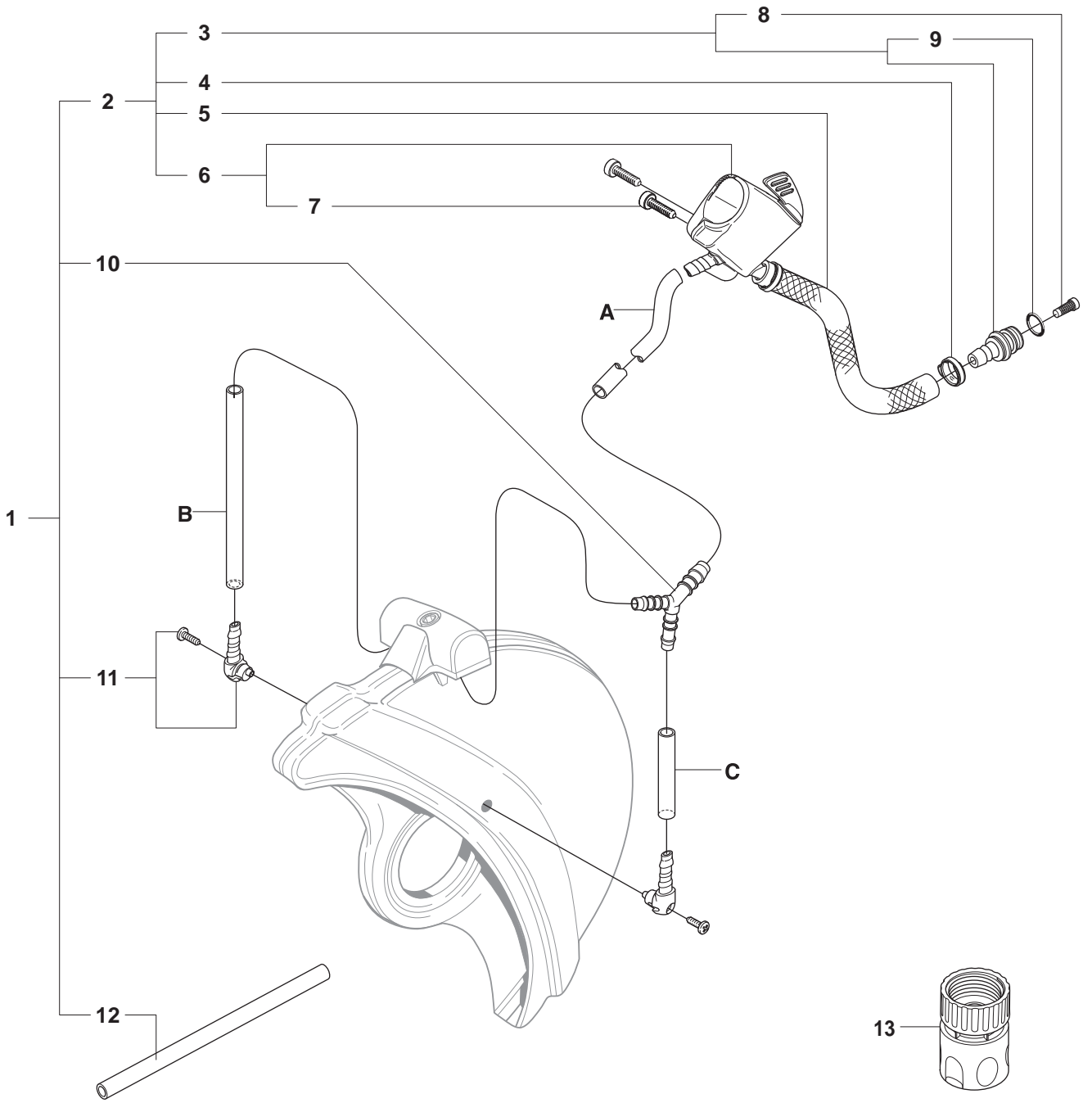
K750

Pos.	Compl No.	Part No.	Description	Qty.	Notes
1		544 18 16-02	FILTER	1	
2		506 39 32-02	CARBURETTOR BRACKET	1	Incl. 9
3		503 21 53-10	SCREW	2	
4		506 38 64-01	INLET PIPE	1	Incl. 10, 11, 12, 13, 14, 15, 16
5		503 21 53-56	SCREW	2	
6		503 28 32-09	CARBURETTOR	1	Zama C3-EL29
7		506 37 68-02	GASKET CARBURETTOR	1	
8		506 38 55-05	CARBURETTOR BRACKET	1	Incl. 2, 3, 4, 5, 6, 7
9		503 22 65-04	NUT	4	
10		506 37 06-01	FLANGE INLET PIPE	1	
11		506 36 98-01	INLET PIPE	1	
12		503 21 53-20	SCREW	1	
13		506 37 05-01	FLANGE INLET PIPE	1	
14		506 36 97-01	INLET PIPE	1	
15		503 40 06-09	IMPULSE HOSE	1	
16		506 39 52-01	PLATE	1	



M K750

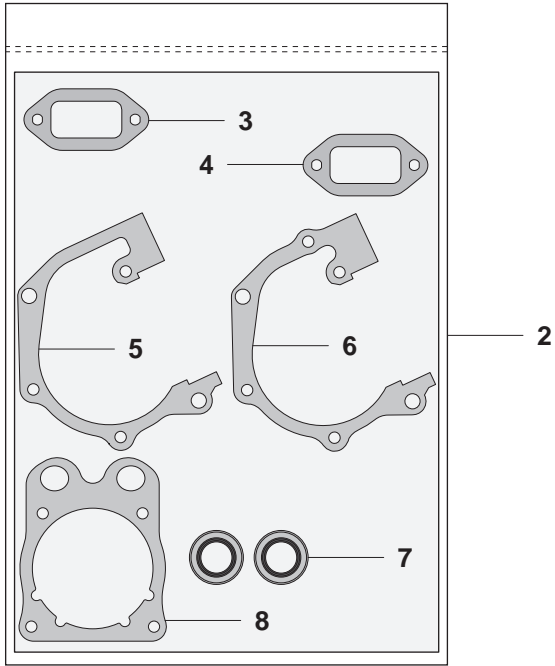
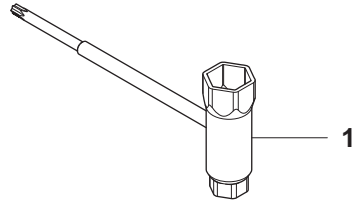
Pos.	Compl No.	Part No.	Description	Qty.	Notes
1		503 28 32-09	CARBURETTOR	1	Zama C3-EL29, Incl. 2 - 43
2		503 47 96-01	SCREW	1	
3		544 83 64-01	PUMP COVER	1	
4		503 61 66-01	GASKET PUMP	1	
5		506 39 60-01	DIAPHRAGM PUMP	1	
6		506 39 65-01	ROD	1	
7		544 08 22-01	SCREW	2	
8		537 17 70-01	VALVE	2	
9		506 39 71-01	SHAFT ASSY	1	
10		506 39 75-01	SPRING	1	
11		506 39 54-01	COLLAR	2	
12		506 39 64-01	QUAD RING	4	
13		506 39 73-01	SHAFT ASSY CHOKE	1	
14		506 39 90-01	O-RING	1	
15		503 48 18-01	SCREW	1	
16		506 39 78-01	VALVE	1	
17		506 39 74-01	SHAFT ASSY	1	
18		503 53 57-01	STRAINER	1	
19		506 39 58-01	GASKET	1	
20		503 48 11-01	PIECE	1	
21		537 01 26-01	SPRING	1	
22		537 01 25-01	BALL	1	
23		544 83 65-01	SPRING	1	
24		506 39 72-01	SCREW	1	
25		506 39 70-01	SCREW	1	
26		506 39 69-01	SCREW	1	
27		537 38 51-01	SCREW	2	
28		506 39 79-01	WASHER	2	
29		537 38 52-01	E-CLIP	2	
30		506 39 91-01	PLUG	1	
31		506 39 61-01	NOZZLE ASSY	1	
32		503 53 56-01	PLUG WELCH	1	
33		537 17 78-01	PLUG	1	
34		537 17 62-01	VALVE	1	
35		537 27 34-01	SPRING	1	
36		537 17 64-01	LEVER	1	
37		544 08 21-01	SCREW	1	
38		503 48 00-01	PIN RETAINING SCREW	1	
39		506 39 62-01	GASKET	2	
40		506 39 57-01	DIAPHRAGM ASSY	1	
41		506 39 55-01	COVER	1	
42		506 39 56-01	COVER	1	
43		506 39 66-01	SCREW	4	
44		506 40 99-01	GASKET KIT	1	Incl. 4, 5, 19, 39, 40
45		506 41 00-01	GASKET KIT CARB	1	Incl. 4, 5, 12, 14, 32, 33, 34, 35, 36, 38, 39, 40



Product	A (mm)	B (mm)	C (mm)
K750 12"	240	240	45
K750 14"	240	280	45

N K750

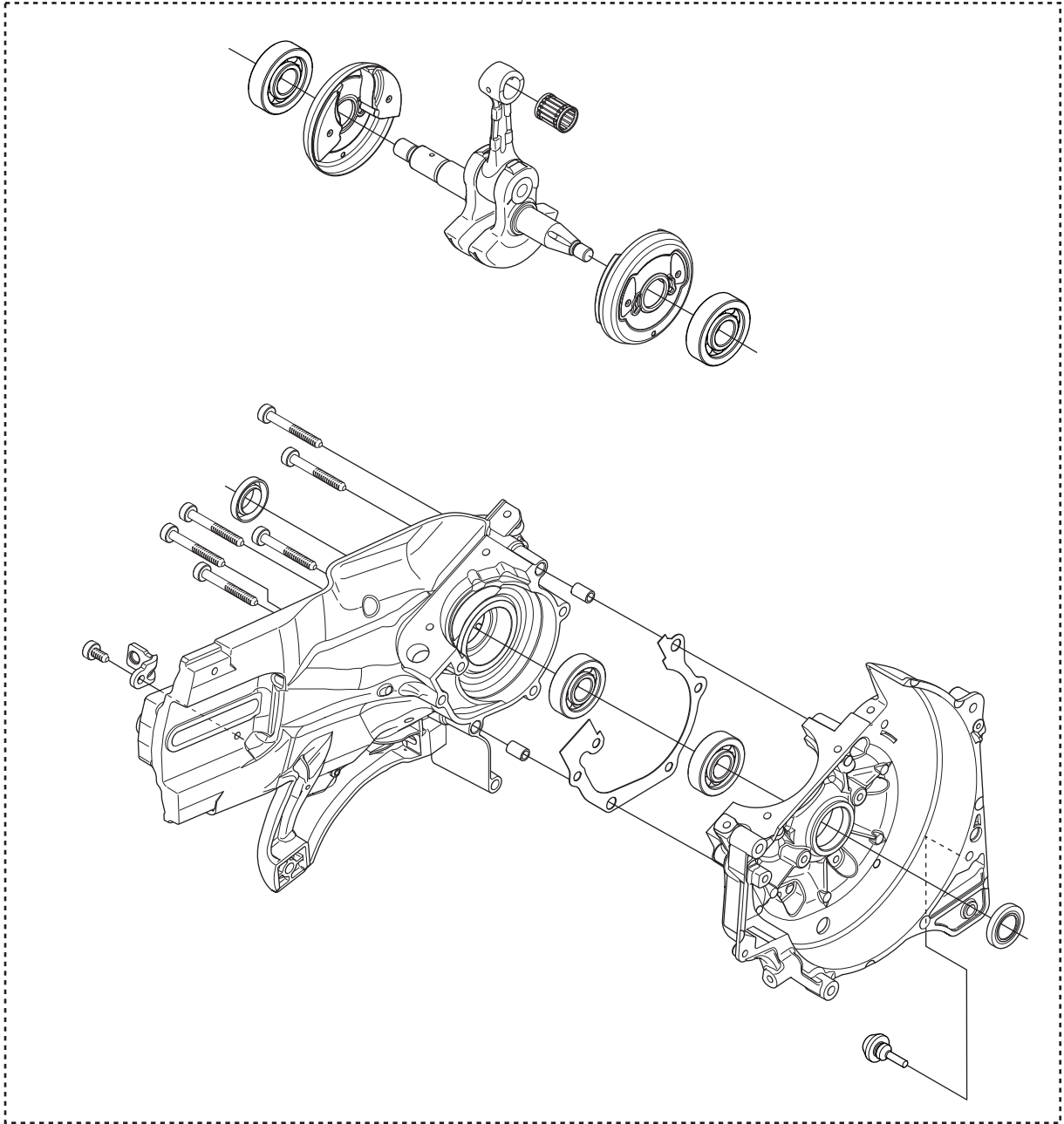
Pos.	Compl No.	Part No.	Description	Qty.	Notes
1		544 00 31-02	WATER HOSE KIT	1	Incl. 2, 10, 11, 12
2		506 38 59-04	HOSE	1	Incl. 3, 4, 5, 6
3		506 29 57-02	NIPPLE	1	Incl. 8, 9
4		506 09 56-06	HOSE CLAMP	2	
5		506 09 75-02	HOSE	1	L=230 mm
6		506 38 60-12	VALVE ASSY	1	Incl. 7
7		503 21 54-20	SCREW	2	
8		506 29 88-01	FILTER	1	
9		503 26 30-21	O-RING	1	
10		506 32 87-01	Y-TUBE	1	
11		506 29 56-01	NIPPLE	2	
12		506 09 58-24	HOSE	1	800 mm
13		503 26 60-01	COUPLER	1	



P K750

Pos.	Compl No.	Part No.	Description	Qty.	Notes
1		506 38 26-01	COMBINATION TOOL	1	
2		506 38 53-04	GASKET KIT	1	Incl. 3, 4, 5, 6, 7, 8
3		506 41 23-01	GASKET	1	
4		506 37 69-02	GASKET MUFFLER	1	
5		506 37 70-02	GASKET CRANKCASE	1	5 bolts crakcase
6		506 37 70-03	GASKET CRANKCASE	1	6 bolts crakcase
7		506 37 67-02	GASKET CYLINDERBASE	1	
8		503 26 02-04	SEALING RING	2	

1

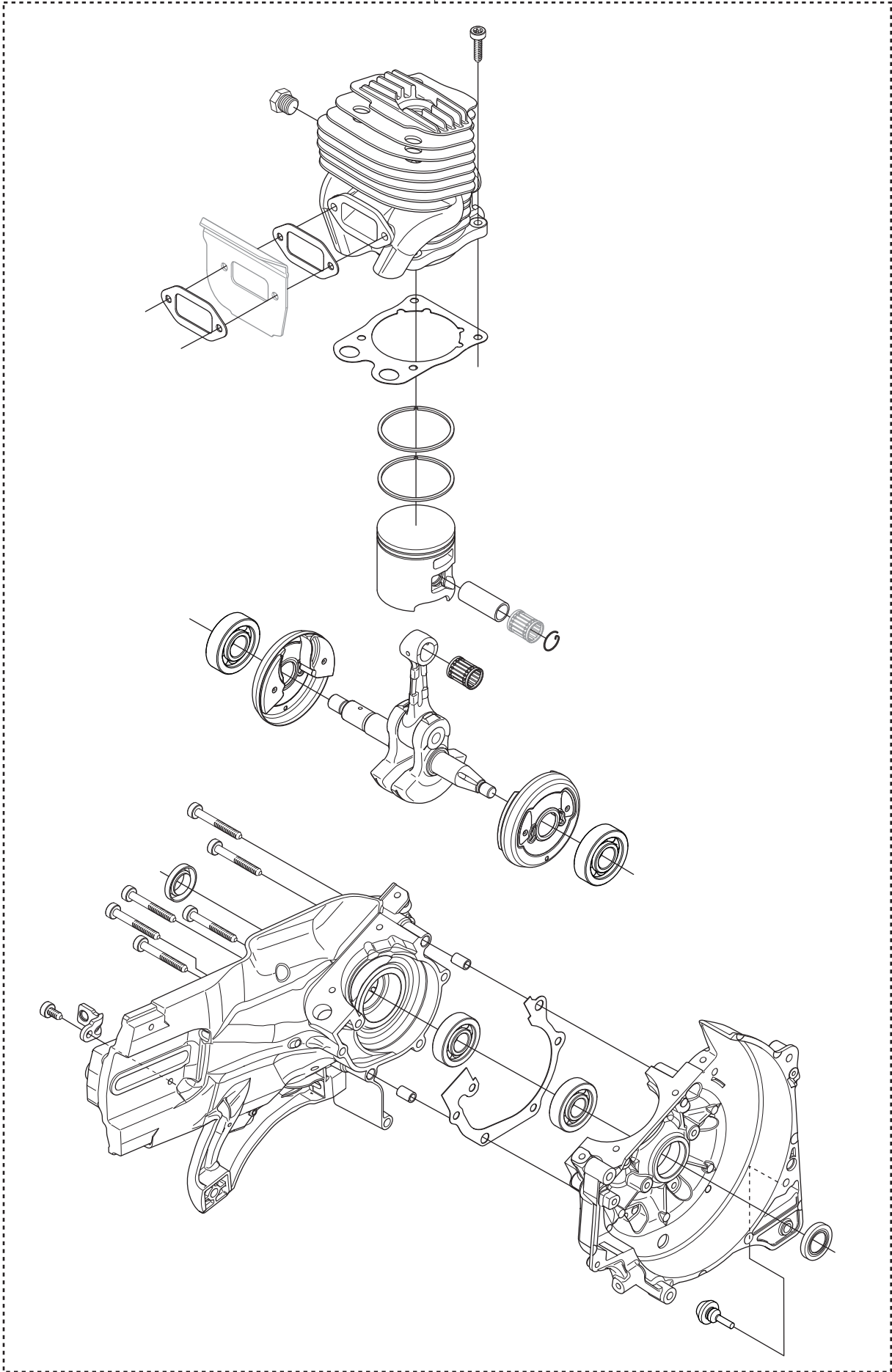


Q

K750

Pos.	Compl No.	Part No.	Description	Qty.	Notes
1		544 88 90-03	CRANKCASE ASSY	1	

1



R K750

Pos.	Compl No.	Part No.	Description	Qty.	Notes
1		544 88 90-04	CRANKCASE ASSY	1	