

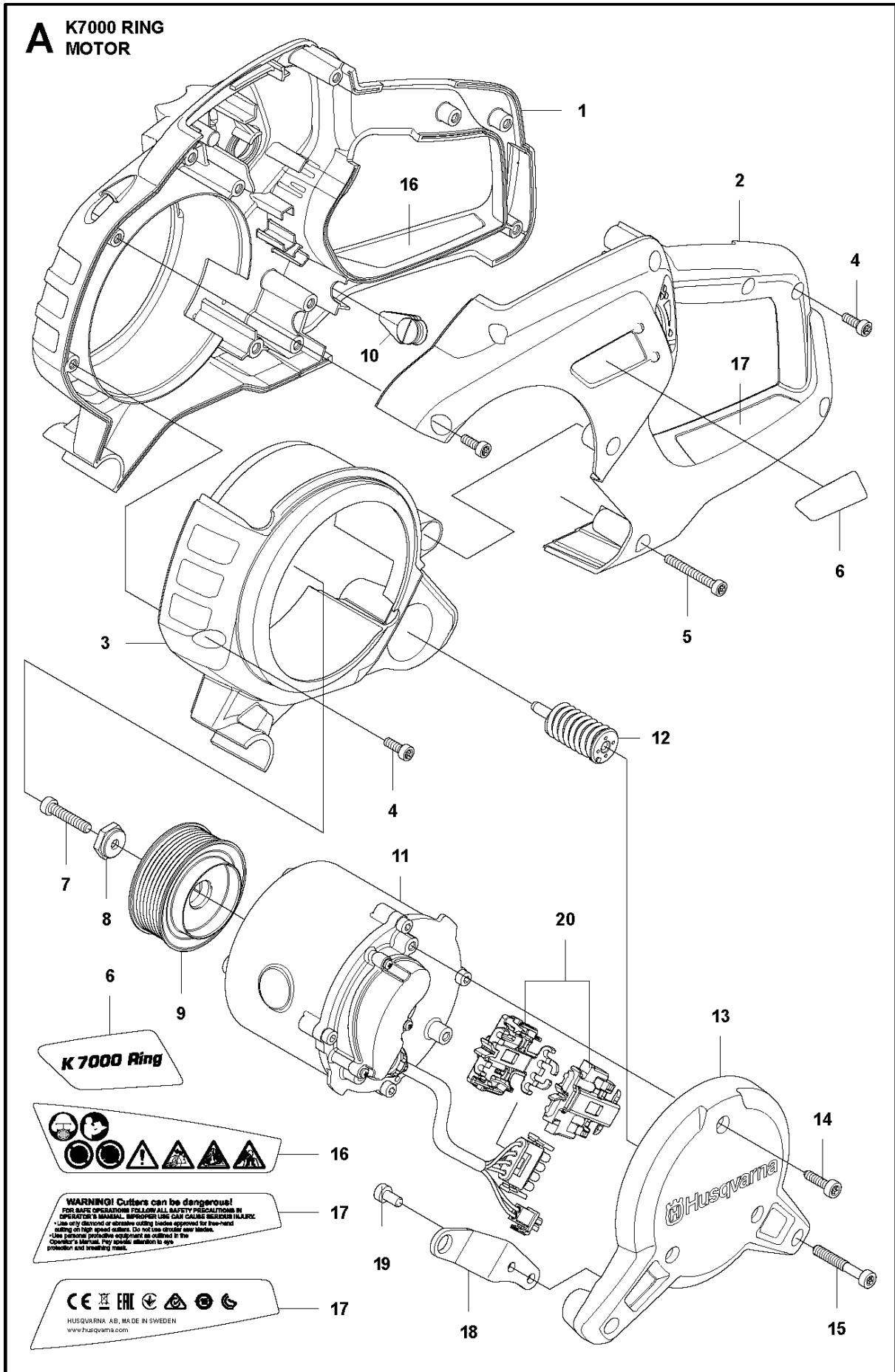


# SPARE PARTS LIST

POWER CUTTERS

K7000 RING, 2020-04

**A** K7000 RING  
MOTOR

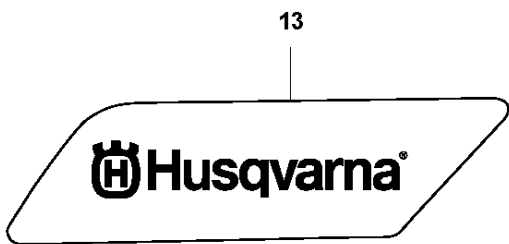
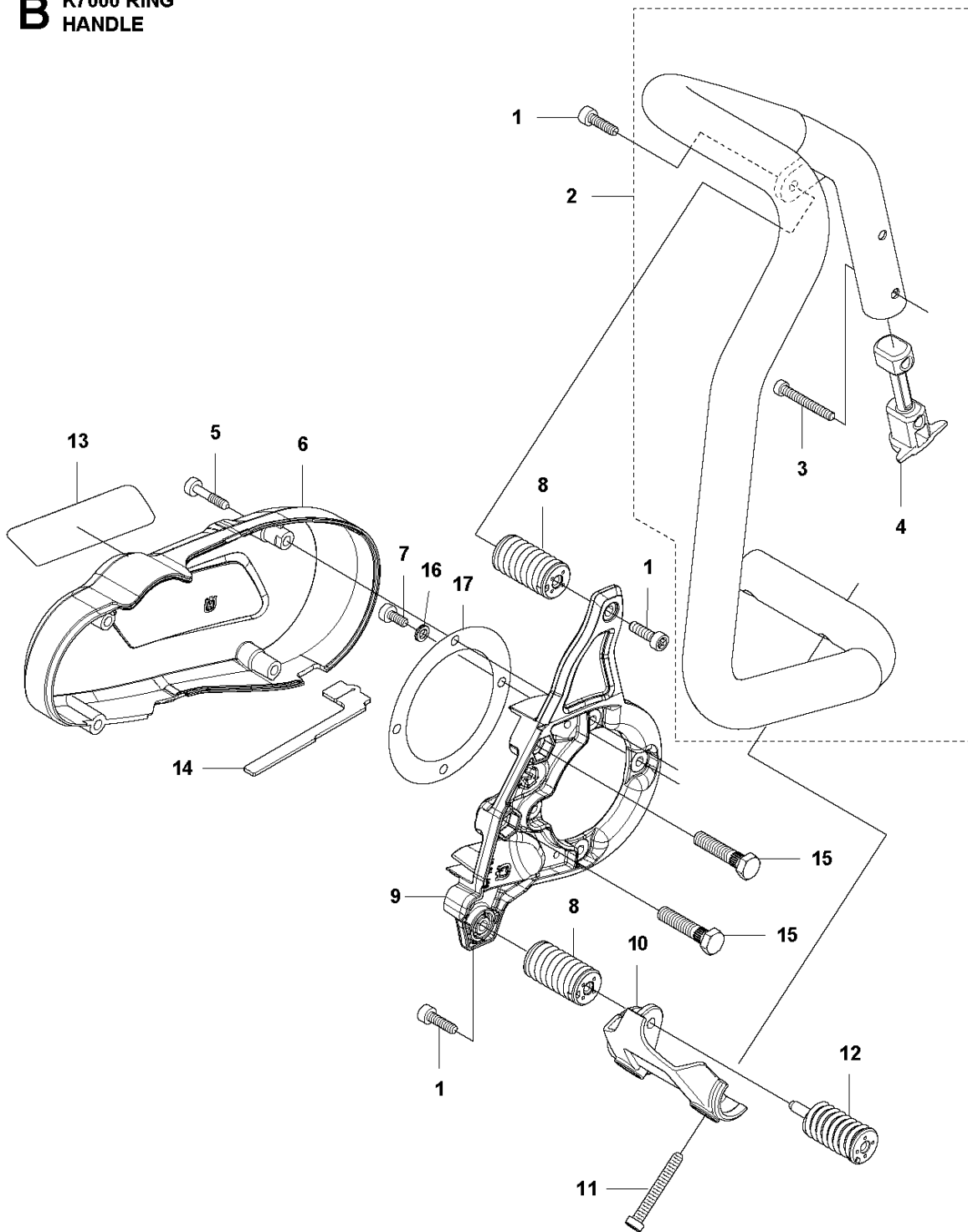


## MOTOR

K7000 RING, 2020-04

Ref	Part No	Description	Remark	QTY	KIT
1	574 84 49-05	HANDLE HALF		1	
2	574 84 50-03	HANDLE HALF		1	
3	529 27 95-02	MOTOR HOUSING		1	
4	504 90 94-14	SCREW ITXSCT		8	
5	504 90 94-40	SCREW ITXSCT		1	
6	575 62 84-08	DECAL		1	
7	544 21 84-30	SCREW ITXSCM		1	
8	504 03 83-01	SPACING SLEEVE		1	
9	581 90 50-01	PULLEY		1	
10	583 87 80-01	PLUG		1	
11	599 63 72-03	MOTOR		1	11
12	537 21 03-04	ANTIVIBRATION ELEMENT		1	
13	529 29 12-02	MOTOR COVER		1	
14	503 21 53-26	SCREW ITXSCM		3	
15	544 21 84-40	SCREW ITXSCM		2	
16	581 16 61-01	DECAL		1	
17	581 16 60-01	DECAL	US ONLY	1	
17	581 16 60-03	DECAL	ROW	1	
18	581 70 99-01	BRACKET		1	
19	504 90 94-10	SCREW ITXSCT		2	
20	598 75 73-01	COVER KIT		1	11

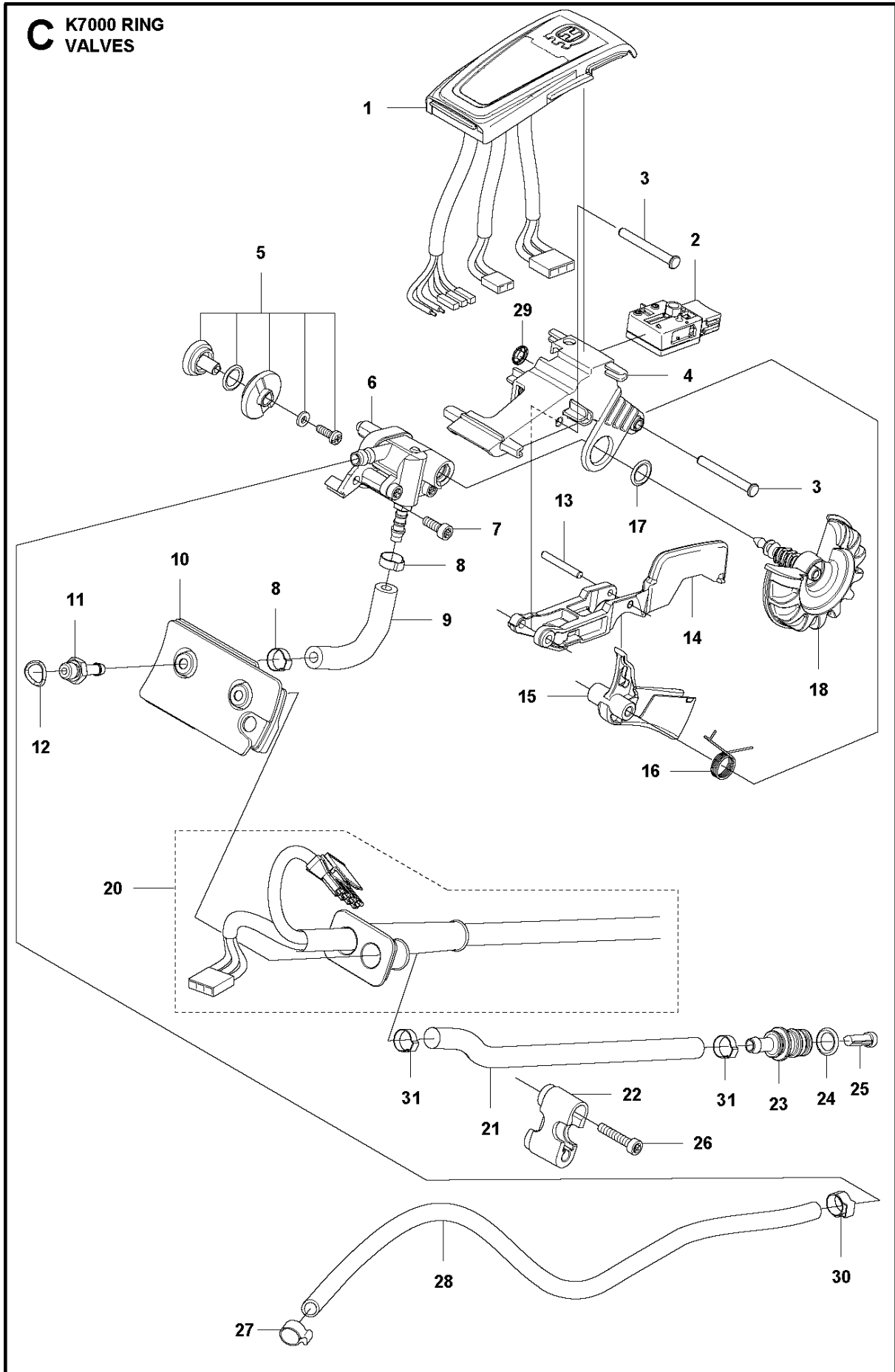
**B** K7000 RING  
HANDLE



## HANDLE

K7000 RING, 2020-04

Ref	Part No	Description	Remark	QTY	KIT
1	544 21 84-20	SCREW ITXSCM		3	
2	581 80 26-03	FRONT HANDLE ASSY	"17""	1	
2	581 80 26-02	FRONT HANDLE ASSY	"14""	1	
3	504 90 94-40	SCREW ITXSCT		2	2
4	575 29 58-01	PLUG		1	2
5	503 21 53-26	SCREW ITXSCM		4	
6	581 22 34-02	BELT COVER		1	
7	503 21 53-16	SCREW ITXSCM		4	
8	575 41 22-01	ANTIVIBRATION ELEMENT		2	
9	581 12 51-01	CUTTER ARM		1	
10	586 42 61-01	BRACKET		1	
11	503 21 54-45	SCREW ITXSCT		2	
12	537 21 03-11	ANTIVIBRATION ELEMENT		1	
13	575 62 85-01	DECAL		1	
14	581 70 97-01	GASKET		1	
15	506 03 32-02	SCREW		2	
16	503 23 04-02	WASHER		4	
17	596 97 81-01	PLATE		1	

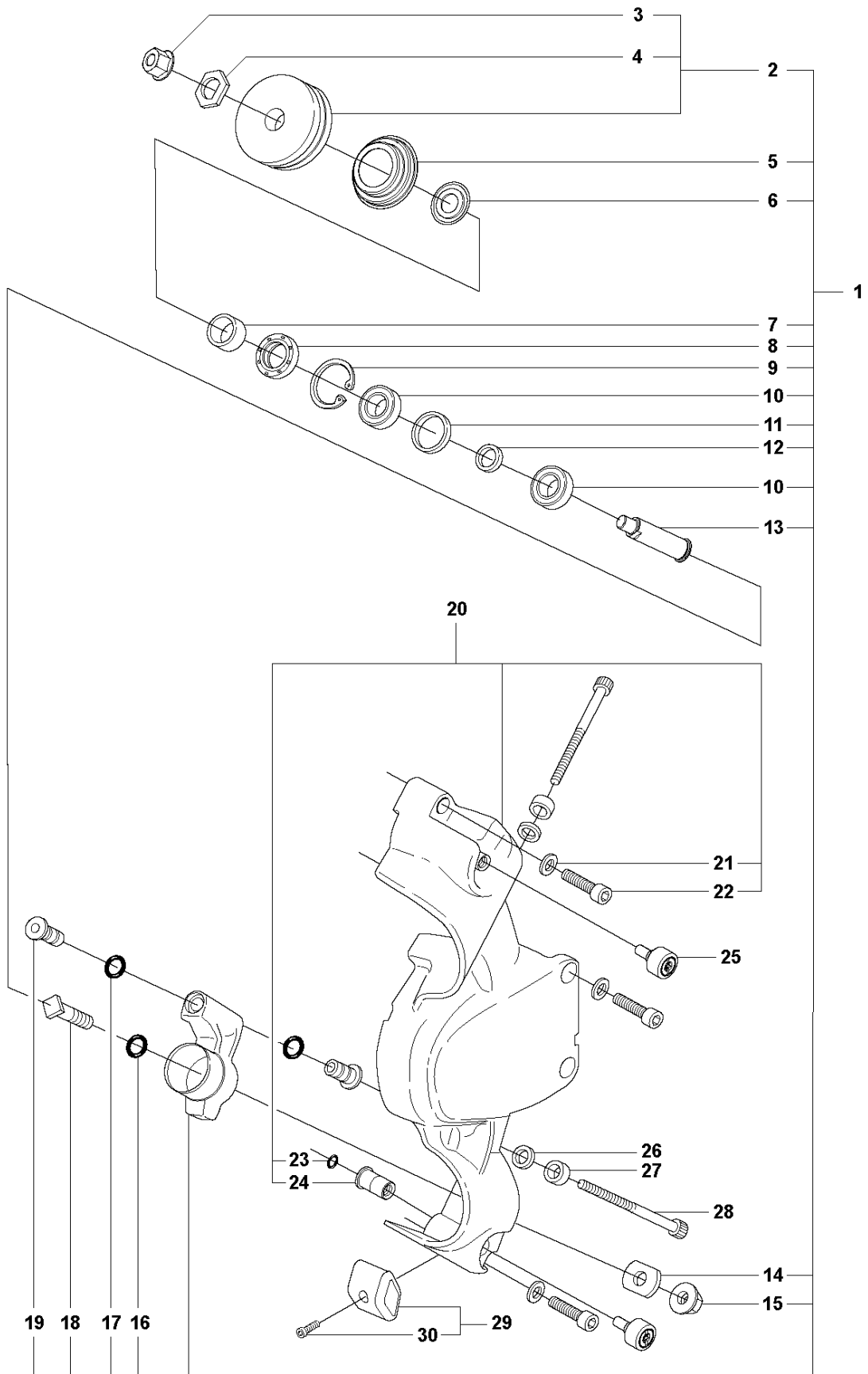


## VALVES

K7000 RING, 2020-04

Ref	Part No	Description	Remark	QTY KIT
1	598 89 14-02	DISPLAY		1
1	598 89 14-03	DISPLAY		1
2	589 79 77-01	TOGGLE SWITCH		1
3	587 83 57-01	PARALLEL PIN		2
4	524 42 90-01	CONSOLE		1
5	585 43 90-02	SPINDLE		1
6	522 96 02-04	VALVE		1
7	504 90 94-14	SCREW ITXSCT		1
8	589 91 76-01	HOSE CLAMP		2
9	580 66 81-02	HOSE		1
10	575 29 54-01	GROMMET		1
11	501 28 29-02	NIPPLE		2
12	740 42 06-00	O-RING		2
13	720 12 76-06	PARALLEL PIN		1
14	574 82 49-01	TRIGGER LOCKOUT		1
15	522 99 72-01	TRIGGER		1
16	574 35 42-02	TORSION SPRING		1
17	740 43 03-00	O-RING		1
18	525 52 20-01	VALVE SPINDLE		1
20	595 01 88-01	WIRING ASSY		1
21	581 89 36-02	HOSE		1
22	525 32 28-01	CLIP		1
23	582 17 54-01	NIPPLE		1
24	505 10 35-01	O-RING		1
25	506 29 88-01	FILTER		1
26	504 90 94-25	SCREW ITXSCT		1
27	506 49 87-01	HOSE CLAMP		1
28	581 89 35-13	HOSE		1
29	735 58 35-01	WASHER		1
30	586 02 04-01	HOSE CLAMP		1
31	576 12 97-01	HOSE CLAMP		2

**D** K7000 RING  
COVER



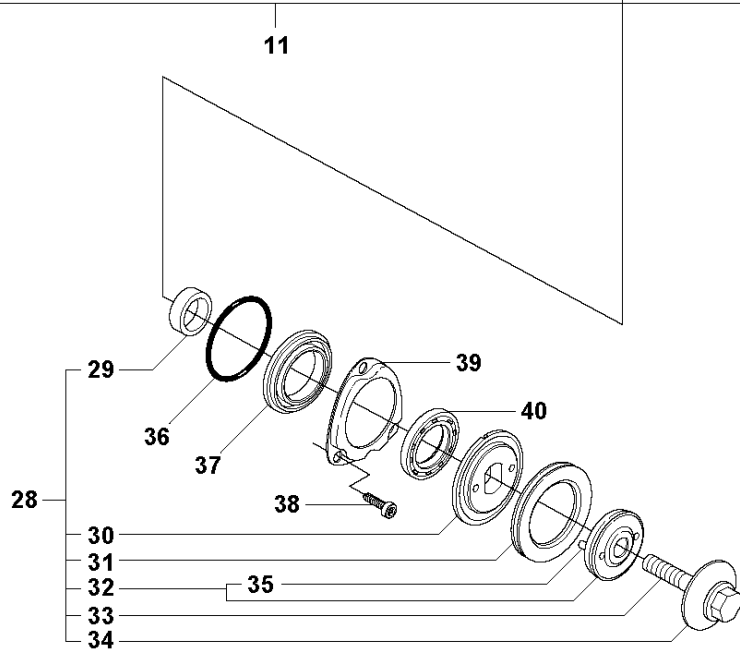
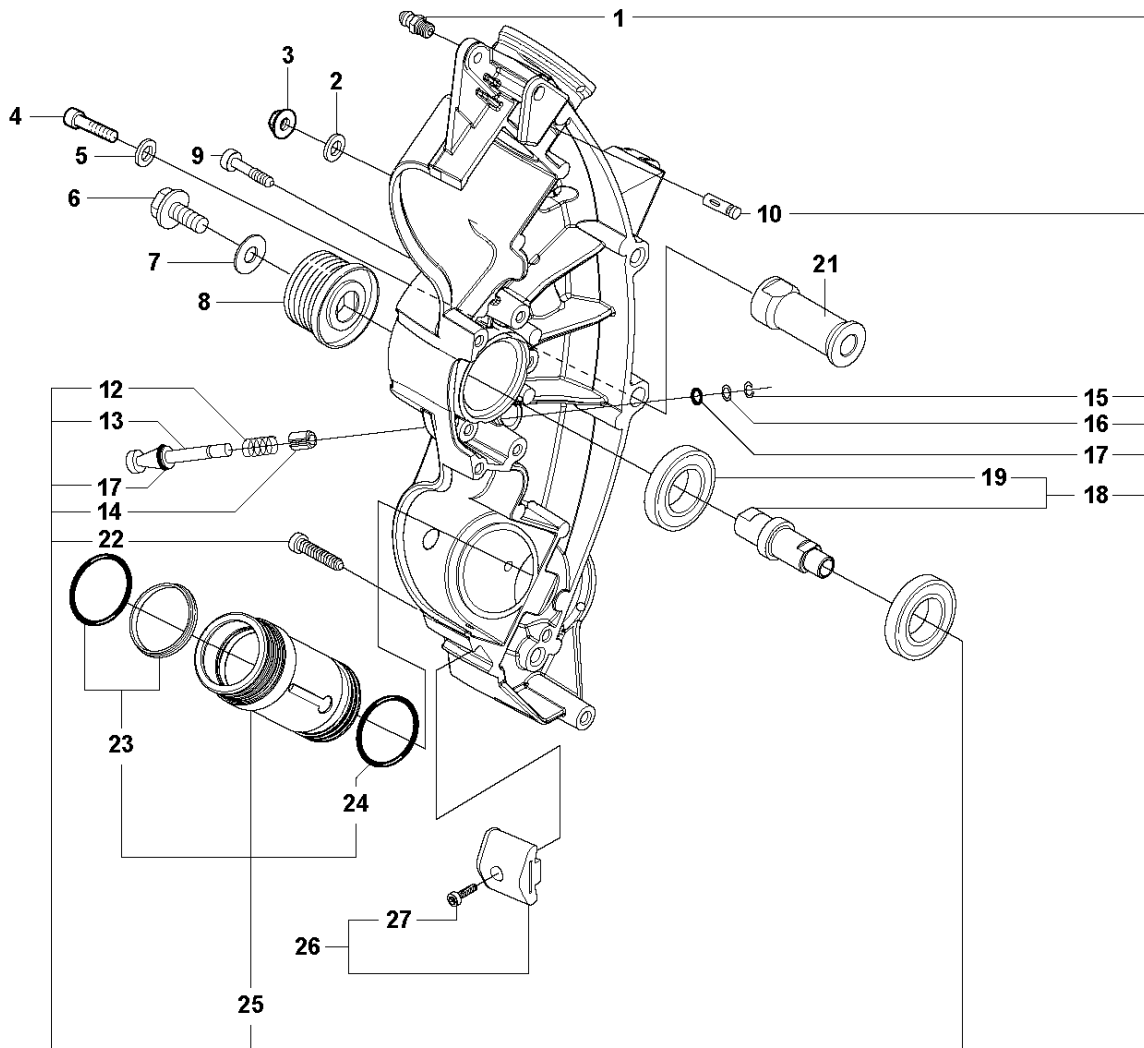


## COVER

K7000 RING, 2020-04

Ref	Part No	Description	Remark	QTY KIT	
1	506 35 18-08	LEVER ASSY		2	
2	506 35 21-03	SUPPORT ROLLER		1	1
3	503 22 04-01	NUT	Fine thread	1	2
4	506 30 34-01	DRIVER		1	2
5	506 39 95-01	SEALING		1	1
6	506 32 17-01	WASHER		1	1
7	506 37 93-02	SPACING SLEEVE		1	1
8	503 26 20-01	SEALING RING		1	1
9	735 31 28-10	CIRCLIP		1	1
10	525 83 18-01	BALL BEARING		2	1
11	506 31 68-02	SPACING SLEEVE		1	1
12	506 30 33-02	SPACING SLEEVE		1	1
13	506 49 32-02	SHAFT		1	1
14	506 34 63-01	WASHER		1	1
15	503 22 00-01	HEXAGON NUT		1	1
16	503 26 30-08	O-RING		1	1
17	503 26 30-26	O-RING		2	1
18	506 34 64-01	SCREW		1	1
19	506 33 49-03	SPACING TUBE		2	
20	506 49 33-04	COVER	"17""	1	
20	506 49 33-03	COVER	"14""	1	
21	503 23 04-03	WASHER		4	20
22	503 20 54-35	SCREW		4	20
23	740 42 04-00	O-RING		2	20
24	506 33 08-01	THREAD INSERT		2	20
25	505 57 49-01	ADJUSTMENT WHEEL		2	
26	506 37 63-01	SPACER		2	
27	506 37 64-01	RUBBER BUSHING		2	
28	544 21 84-55	SCREW ITXSCM		2	
29	506 35 19-03	WEAR PROTECTION		1	
30	505 57 41-16	SCREW ITXSCM		1	29

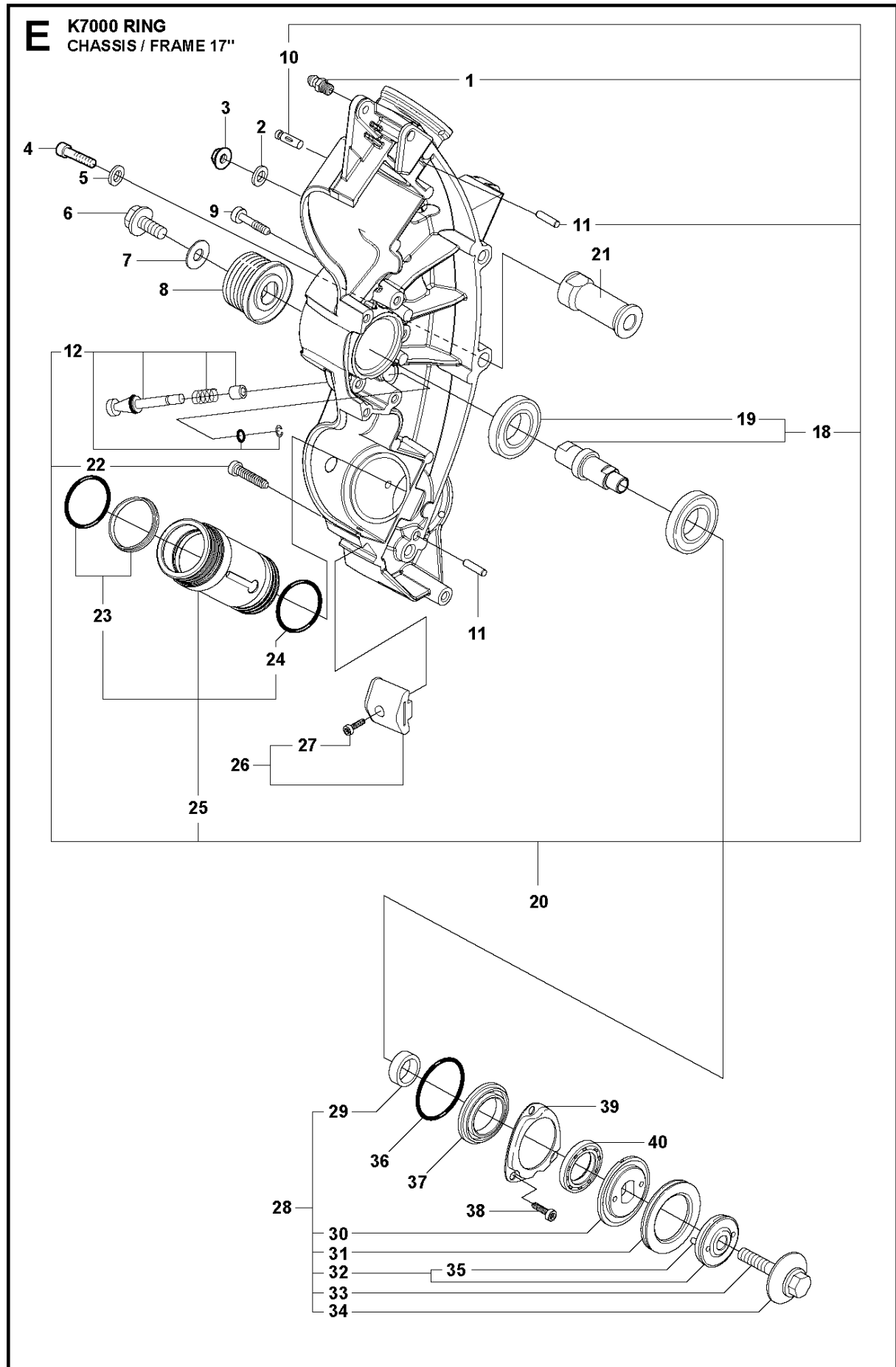
**E** K7000 RING  
CHASSIS / FRAME 14"



## CHASSIS

K7000 RING, 2020-04

Ref	Part No	Description	Remark	QTY	KIT
1	738 88 10-01	LUBRICATION NIPPLE		2	11
2	503 23 04-01	WASHER		2	
3	503 22 00-01	HEXAGON NUT		2	
4	725 54 59-05	SCREW IHSCM		1	
5	503 23 04-03	WASHER		1	
6	503 20 00-45	SCREW EHHFM		1	
7	503 23 01-16	WASHER		1	
8	584 27 12-02	PULLEY		1	
9	503 21 53-26	SCREW ITXSCM		1	
10	721 12 52-70	GROOVED PIN		2	11
11	522 65 75-05	CHASSIS		1	
12	506 25 73-01	COMPRESSION SPRING		1	11
13	506 32 80-01	LOCKING BUTTON		1	11
14	721 44 06-00	SPRING PIN		1	11
15	735 31 08-00	CIRCLIP		1	11
16	503 23 01-12	WASHER		1	11
17	503 26 30-22	O-RING		2	11
18	506 35 15-03	DRIVE SHAFT		1	11
19	583 95 33-01	BALL BEARING		2	17
21	581 70 98-01	SPACER		1	
22	503 21 53-20	SCREW ITXSCM		1	
23	506 34 39-01	GASKET KIT		2	25
24	740 48 25-02	O-RING		2	25
25	544 07 76-01	SLEEVE		2	
26	506 35 19-03	WEAR PROTECTION		1	
27	505 57 41-16	SCREW ITXSCM		1	26
28	506 35 23-04	GEAR WHEEL ASSY		1	
29	506 37 49-01	SLEEVE		1	28
30	506 37 46-02	FLANGE WASHER		1	28
31	506 17 83-04	GEAR WHEEL		1	28
32	506 31 22-02	DRIVER		1	28
33	581 85 52-01	SCREW		1	28
34	506 13 95-11	WASHER		1	28
35	721 42 52-50	SPRING PIN		2	28
36	740 42 24-00	O-RING		1	
37	506 37 48-01	SEALING		1	
38	503 21 53-12	SCREW ITXSCM		3	
39	506 37 47-01	SEALING COLLAR		1	
40	503 26 21-01	SEALING RING		1	

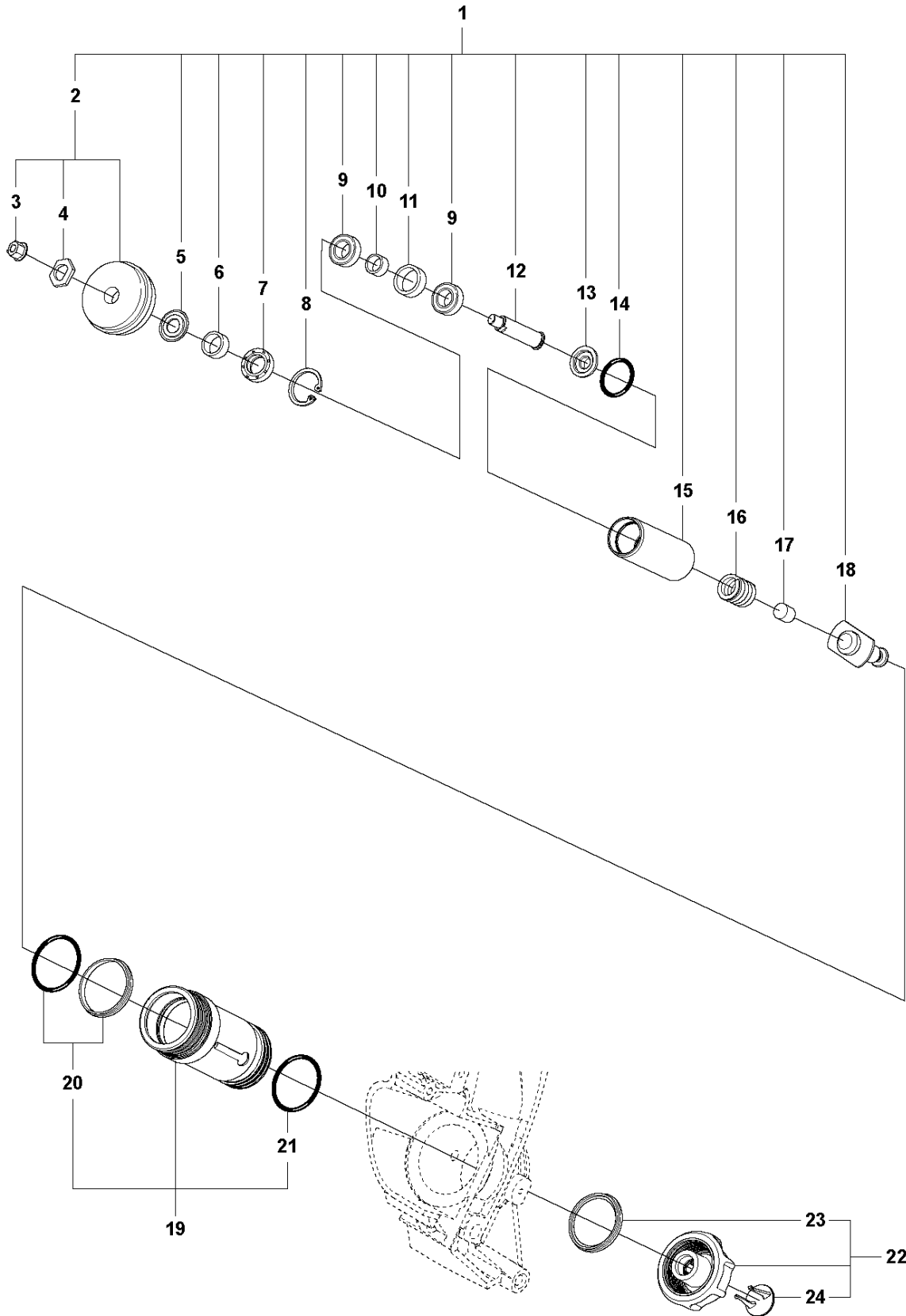


## CHASSIS

K7000 RING, 2020-04

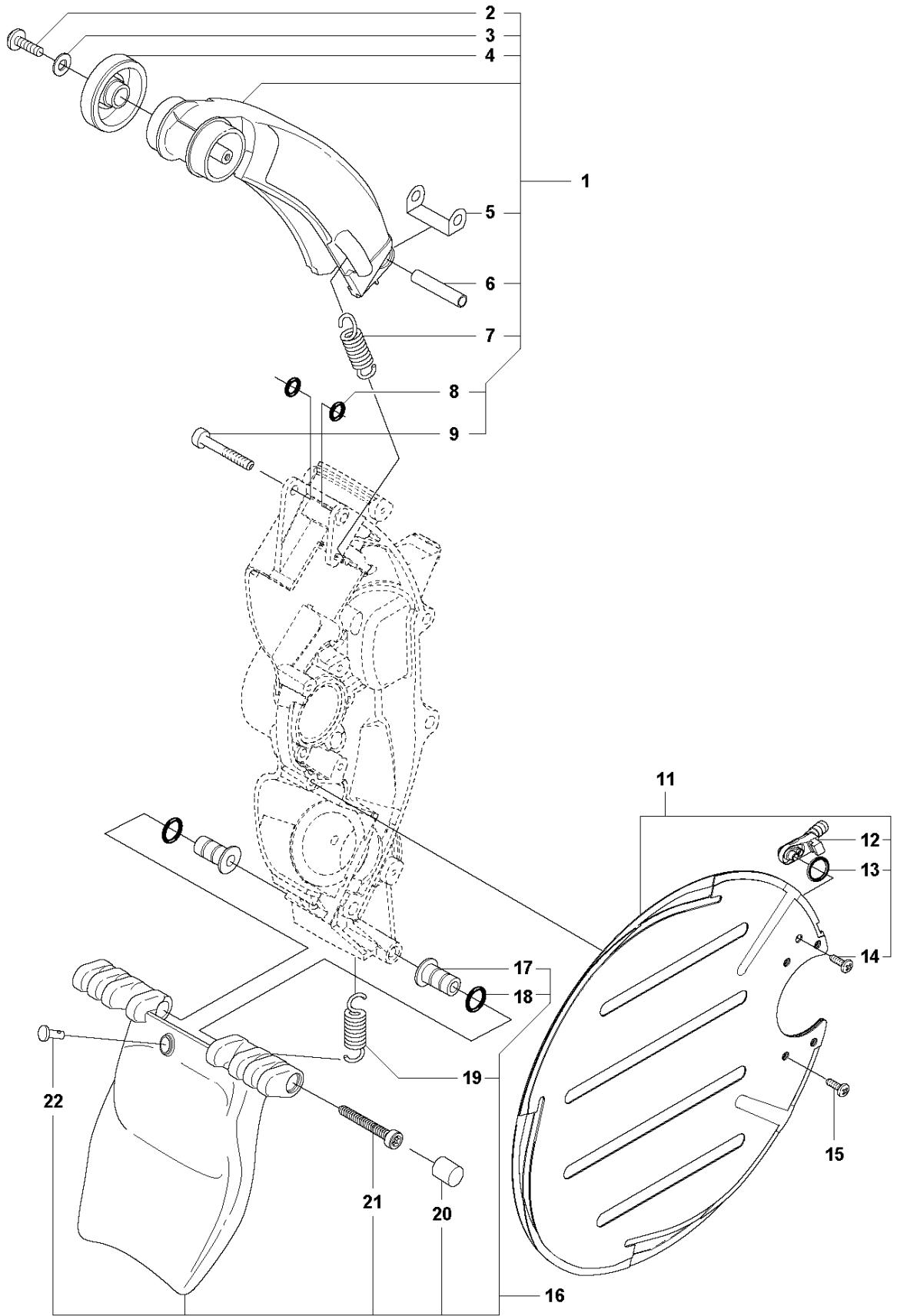
Ref	Part No	Description	Remark	QTY	KIT
1	738 88 10-01	LUBRICATION NIPPLE		2	20
2	503 23 04-01	WASHER		2	
3	503 22 00-01	HEXAGON NUT		2	
4	725 54 59-05	SCREW IHSCM		1	
5	503 23 04-03	WASHER		1	
6	503 20 00-45	SCREW EHHFM		1	
7	503 23 01-16	WASHER		1	
8	584 27 12-02	PULLEY		1	
9	503 21 53-26	SCREW ITXSCM		1	
10	721 12 52-70	GROOVED PIN	"17""	2	20
11	720 13 07-10	PARALLEL PIN	"17""	2	
12	597 16 65-01	LOCKING BUTTON		1	20
18	506 35 15-03	DRIVE SHAFT		1	20
19	583 95 33-01	BALL BEARING		2	17
20	522 65 75-07	CHASSIS		1	
21	581 70 98-01	SPACER		1	
22	503 21 53-20	SCREW ITXSCM		1	
23	506 34 39-01	GASKET KIT		2	25
24	740 48 25-02	O-RING		2	25
25	544 07 76-01	SLEEVE		2	
26	506 35 19-03	WEAR PROTECTION		1	
27	505 57 41-16	SCREW ITXSCM		1	26
28	506 35 23-04	GEAR WHEEL ASSY		1	
29	506 37 49-01	SLEEVE		1	28
30	506 37 46-02	FLANGE WASHER		1	28
31	506 17 83-04	GEAR WHEEL		1	28
32	506 31 22-02	DRIVER		1	28
33	581 85 52-01	SCREW		1	28
34	506 13 95-11	WASHER		1	28
35	721 42 52-50	SPRING PIN		2	28
36	740 42 24-00	O-RING		1	
37	506 37 48-01	SEALING		1	
38	503 21 53-12	SCREW ITXSCM		3	
39	506 37 47-01	SEALING COLLAR		1	
40	503 26 21-01	SEALING RING		1	

**F** K7000 RING  
GUIDE



Ref	Part No	Description	Remark	QTY	KIT
1	506 49 34-01	BEARING CAGE		2	
2	506 35 20-05	GUIDE ROLLER		1	1
3	503 22 04-01	NUT		1	2
4	506 30 34-01	DRIVER		1	2
5	506 31 69-01	DUST COVER		1	1
6	506 37 93-02	SPACING SLEEVE		1	1
7	503 26 20-01	SEALING RING		1	1
8	735 31 28-10	CIRCLIP		1	1
9	525 83 18-01	BALL BEARING		2	1
10	506 30 33-01	SPACING SLEEVE		1	1
11	506 31 68-01	SPACING SLEEVE		1	1
12	506 49 32-01	SHAFT		1	1
13	506 38 11-01	HUB CAP		1	1
14	740 48 20-12	O-RING		1	1
15	506 38 09-01	BEARING CAGE		1	1
16	506 34 76-03	COMPRESSION SPRING		1	1
17	506 30 35-01	BUMPER		1	1
18	506 38 97-01	PEN		1	1
19	544 07 76-01	SLEEVE		2	
20	506 34 39-01	GASKET KIT		1	19
21	740 48 25-02	O-RING		1	19
22	506 38 22-02	KNOB		1	
23	506 33 65-01	SEALING RING		1	22
24	506 38 21-02	HUB CAP		1	22

**G** K7000 RING  
GUARDS 14"

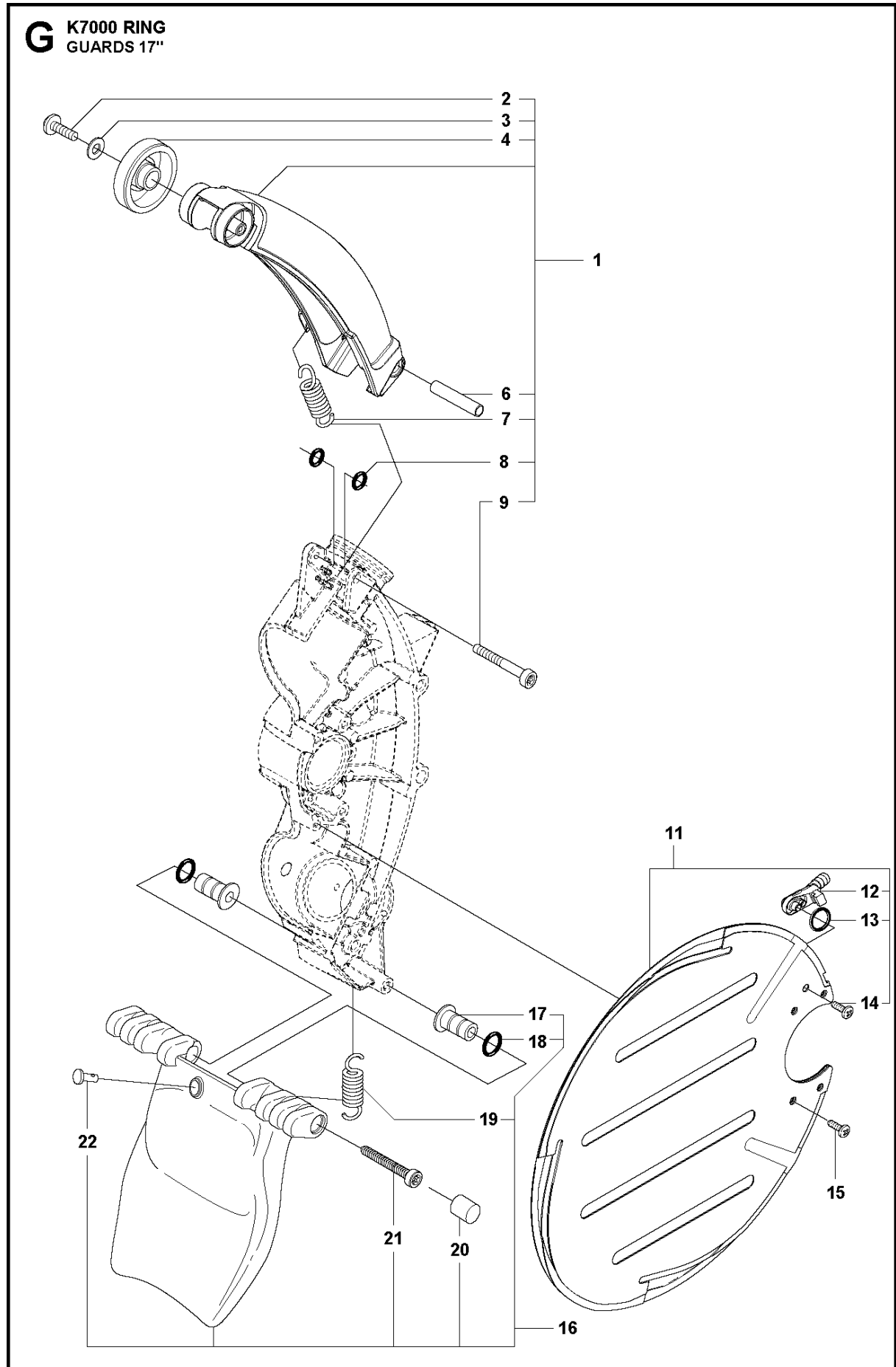




## GUARDS

K7000 RING, 2020-04

Ref	Part No	Description	Remark	QTY KIT	
1	506 24 69-06	BLADE GUARD	"14""	1	
2	503 21 46-01	SCREW		2	1
3	734 48 80-01	WASHER		2	1
4	506 26 22-02	WHEEL		2	1
5	506 31 28-01	COVER PLATE		1	
6	506 31 45-01	SPACING TUBE		1	1
7	504 11 67-01	SPRING		1	1
8	503 26 30-25	O-RING		2	1
9	544 21 84-47	SCREW ITXSCM		1	1
11	506 38 33-05	DISC	"14""	1	
12	506 38 29-02	NIPPLE		1	11
13	740 42 10-00	O-RING		1	11
14	729 52 89-71	SCREW CRPANT		1	11
15	505 57 41-16	SCREW ITXSCM		4	
16	506 35 22-06	SPRAY GUARD ASSY		1	
17	506 33 49-02	SPACING TUBE		2	16
18	531 04 89-01	O-RING		2	16
19	506 33 95-01	DRAW SPRING		1	16
20	506 34 90-01	SEALING		2	16
21	544 21 84-37	SCREW ITXSCM		2	16
22	506 33 96-01	BOLT		1	16

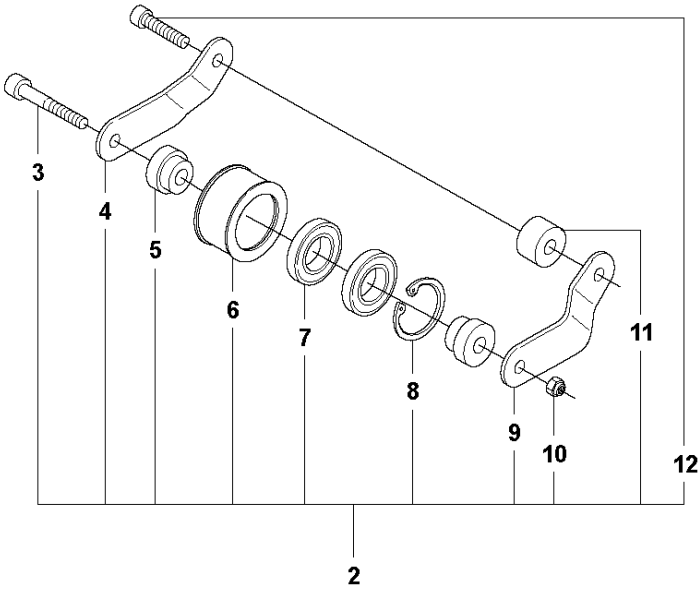
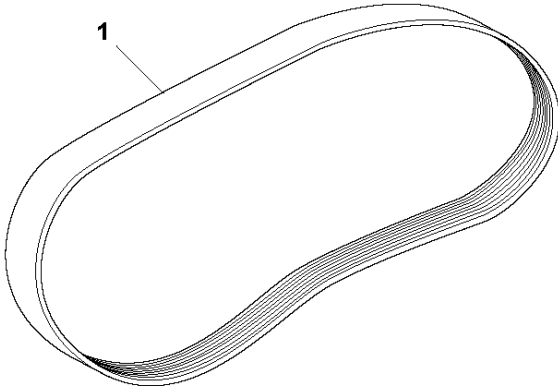


## GUARDS

K7000 RING, 2020-04

Ref	Part No	Description	Remark	QTY	KIT
1	506 24 69-08	BLADE GUARD	"17""	1	
2	503 21 46-01	SCREW		2	1
3	734 48 80-01	WASHER		2	1
4	506 26 22-02	WHEEL		2	1
6	506 31 45-01	SPACING TUBE		1	1
7	504 11 67-01	SPRING		1	1
8	503 26 30-25	O-RING		2	1
9	544 21 84-47	SCREW ITXSCM		1	1
11	506 38 33-07	DISC	"17""	1	
12	506 38 29-02	NIPPLE		1	11
13	740 42 10-00	O-RING		1	11
14	729 52 89-71	SCREW CRPANT		1	11
15	505 57 41-16	SCREW ITXSCM		4	
16	506 35 22-06	SPRAY GUARD ASSY		1	
17	506 33 49-02	SPACING TUBE		2	16
18	531 04 89-01	O-RING		2	16
19	506 33 95-01	DRAW SPRING		1	16
20	506 34 90-01	SEALING		2	16
21	544 21 84-37	SCREW ITXSCM		2	16
22	506 33 96-01	BOLT		1	16

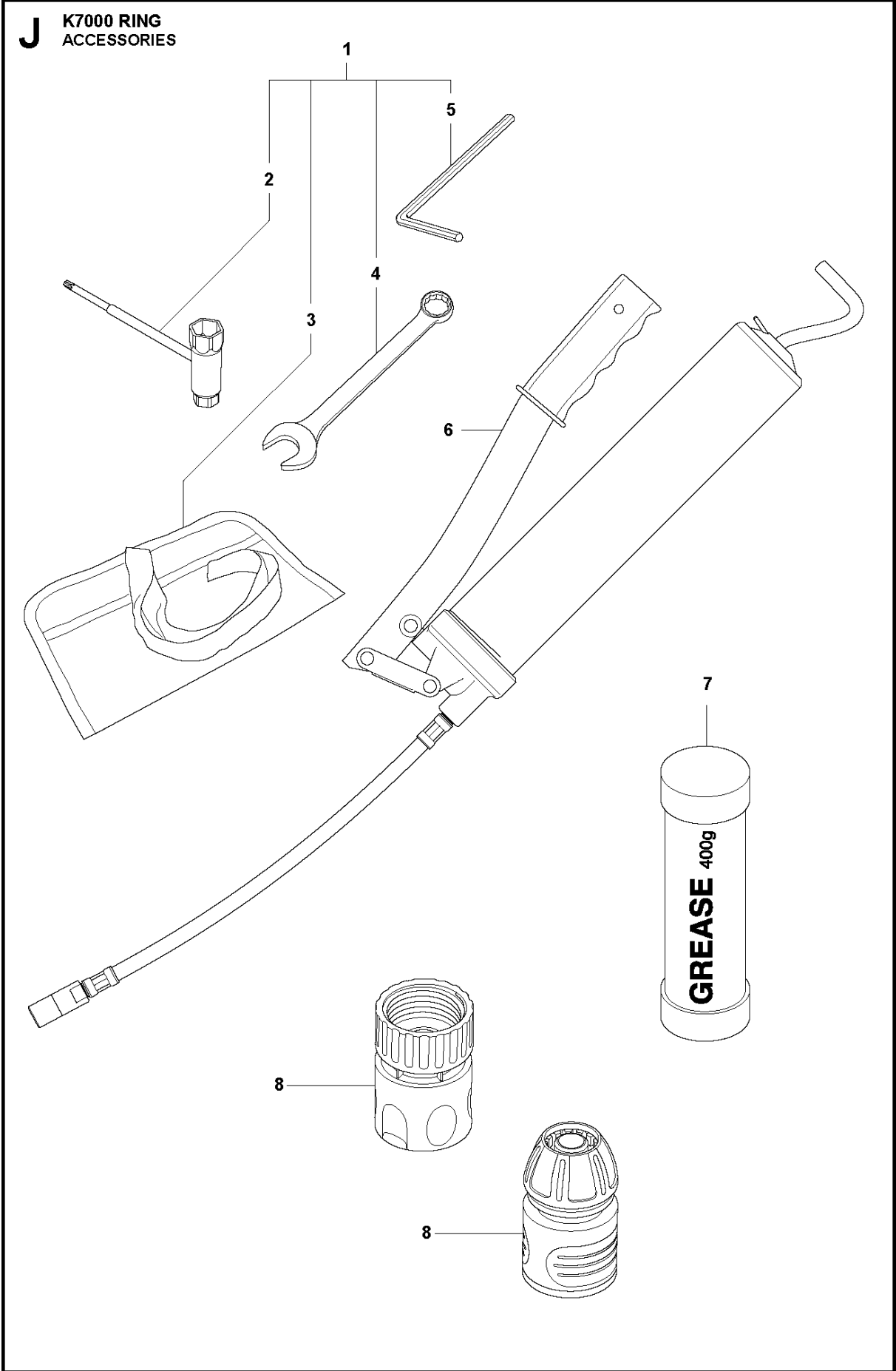
**H** K7000 RING  
BELT



## BELT

K7000 RING, 2020-04

Ref	Part No	Description	Remark	QTY	KIT
1	544 90 84-05	BELT		1	
2	506 28 06-05	BELT TENSIONER ASSY		1	
3	544 21 84-37	SCREW ITXSCM		1	2
4	506 33 53-02	LEVER		1	2
5	506 33 52-02	SPACER		2	2
6	506 33 51-01	ROLLER		1	2
7	525 83 18-01	BALL BEARING		2	2
8	735 31 28-10	CIRCLIP		1	2
9	506 33 53-01	LEVER		1	2
10	732 21 16-01	LOCK NUT		1	2
11	506 33 54-01	SPACER		1	2
12	544 21 84-30	SCREW ITXSCM		1	2



## ACCESSORIES

K7000 RING, 2020-04

Ref	Part No	Description	Remark	QTY	KIT
1	506 36 38-04	TOOL		1	
2	506 38 26-01	TOOL		1	1
3	501 19 22-01	TOOL		1	1
4	506 35 52-01	SPANNER	19mm	1	1
5	506 36 36-01	HEX KEY	Allen key 6mm	1	1
6	506 38 49-02	GUN		1	
7	588 81 48-01	GREASE		1	
8	503 26 60-03	COUPLER	"3/4"''''	1	
8	503 26 60-04	COUPLER	"1/2"''''	1	