

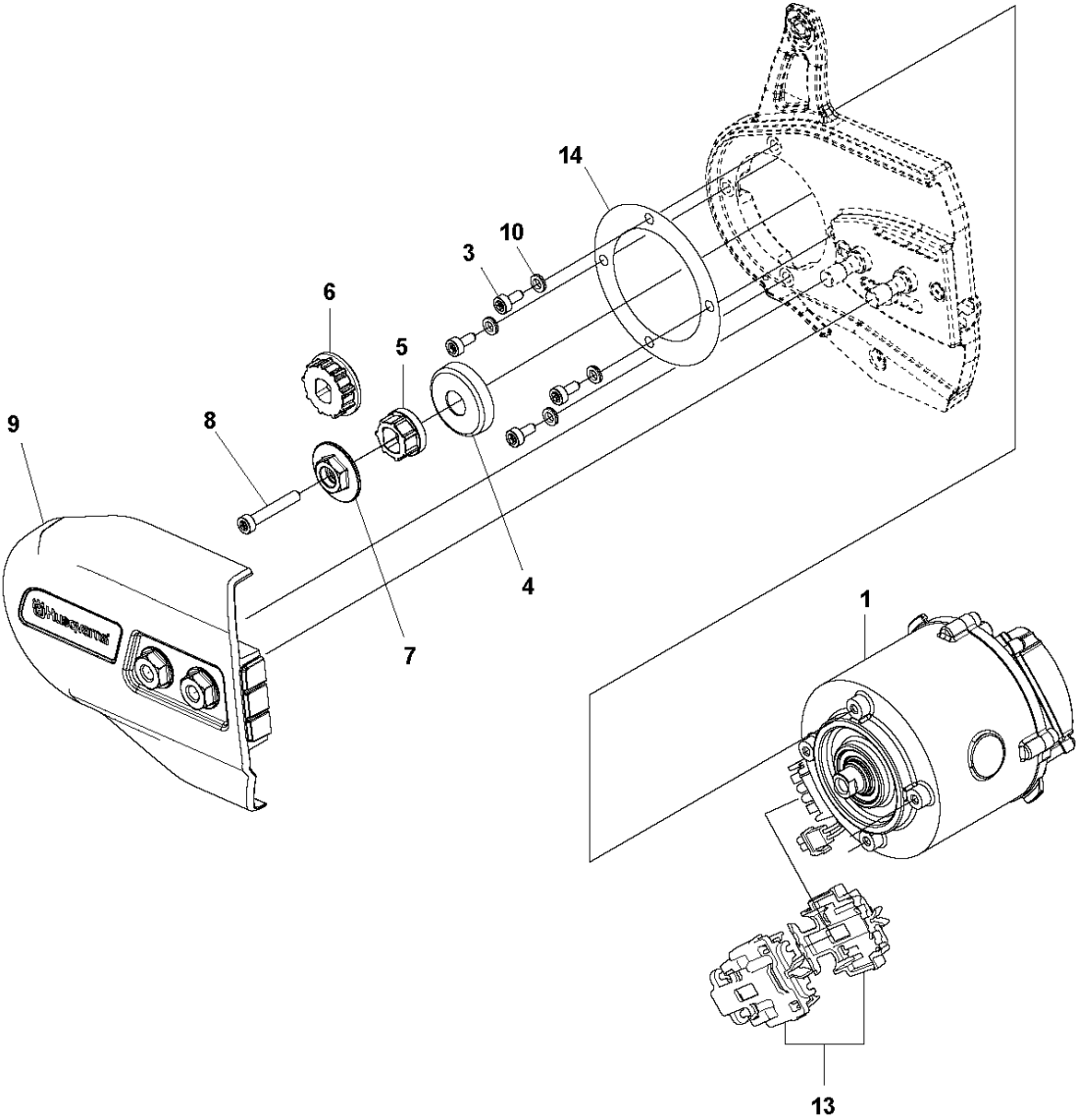


SPARE PARTS LIST

POWER CUTTERS

K7000 CHAIN, 2020-04

A K7000 CHAIN
MOTOR

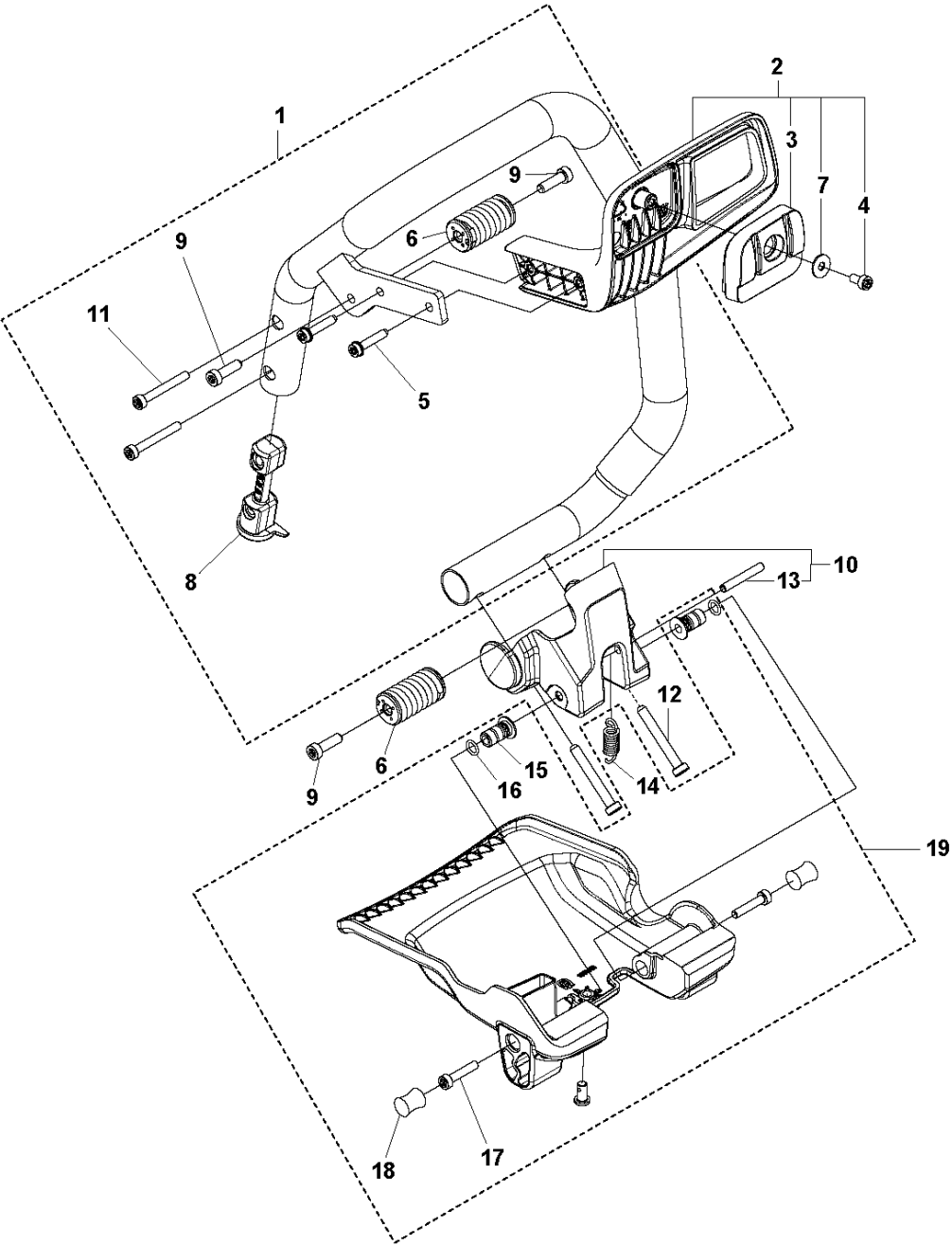


MOTOR

K7000 CHAIN, 2020-04

Ref	Part No	Description	Remark	QTY	KIT
1	599 63 72-03	MOTOR		1	1
3	503 21 53-16	SCREW ITXSCM		4	
4	587 28 52-01	FLANGE		1	
5	587 26 99-01	SPLINEWAY	7 splines, before S/N 20153600001	1	
5	529 46 32-01	SPLINEWAY	7 splines, from S/N 20153600001	1	
6	587 26 98-01	SPLINEWAY	9 splines, before S/N 20153600001	1	
6	588 86 52-01	SPLINEWAY	9 splines, from S/N 20153600001	1	
7	587 27 22-01	NUT WASHER		1	
8	544 21 84-37	SCREW ITXSCM		1	
9	588 57 63-01	COVER		1	
10	503 23 04-02	WASHER		4	
13	598 75 73-01	COVER KIT		1	1, 13
14	596 97 81-01	PLATE		1	

B K7000 CHAIN
HANDLE

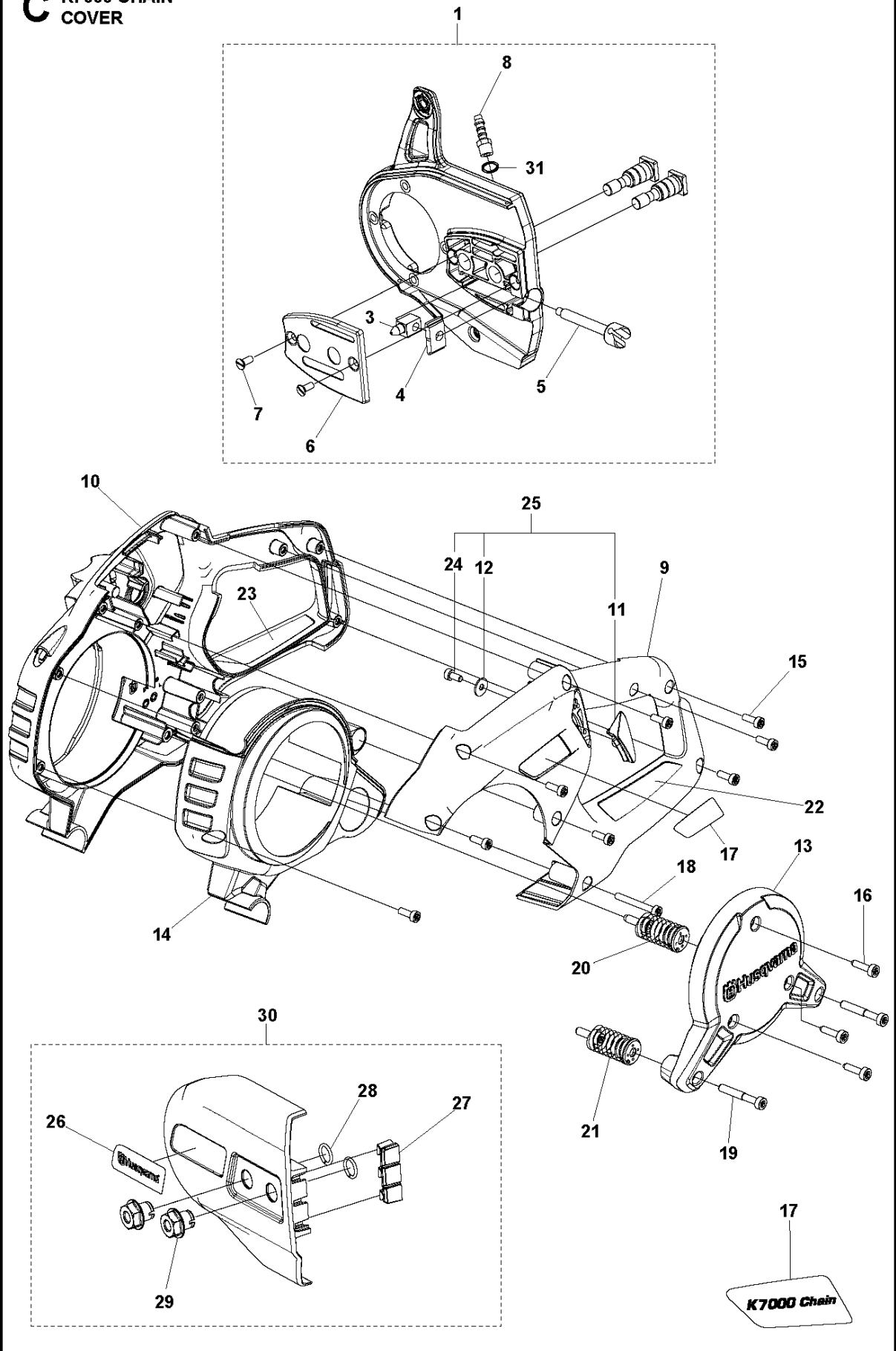


HANDLE

K7000 CHAIN, 2020-04

Ref	Part No	Description	Remark	QTY	KIT
1	588 57 65-01	FRONT HANDLE		1	
2	588 59 90-01	HAND GUARD		1	
3	587 12 39-01	BUMPER		1	2
4	504 90 94-10	SCREW ITXSCT		1	2
5	525 76 46-04	SCREW ITXSCT		2	1
6	575 41 22-01	ANTIVIBRATION ELEMENT		2	1
7	734 11 47-41	WASHER		1	2
8	575 29 58-01	PLUG		1	1
9	544 21 84-20	SCREW ITXSCM		3	1
10	588 59 91-01	BRACKET		1	
11	504 90 94-40	SCREW ITXSCT		2	1
12	503 21 54-45	SCREW ITXSCT		2	19
13	721 43 15-00	SPRING PIN		1	
14	506 33 95-01	DRAW SPRING		1	19
15	506 33 49-02	SPACING TUBE		2	19
16	740 42 05-00	O-RING		2	19
17	544 21 84-30	SCREW ITXSCM		2	19
18	506 34 90-01	SEALING		2	19
19	588 57 64-01	SPRAY GUARD		1	

C K7000 CHAIN COVER

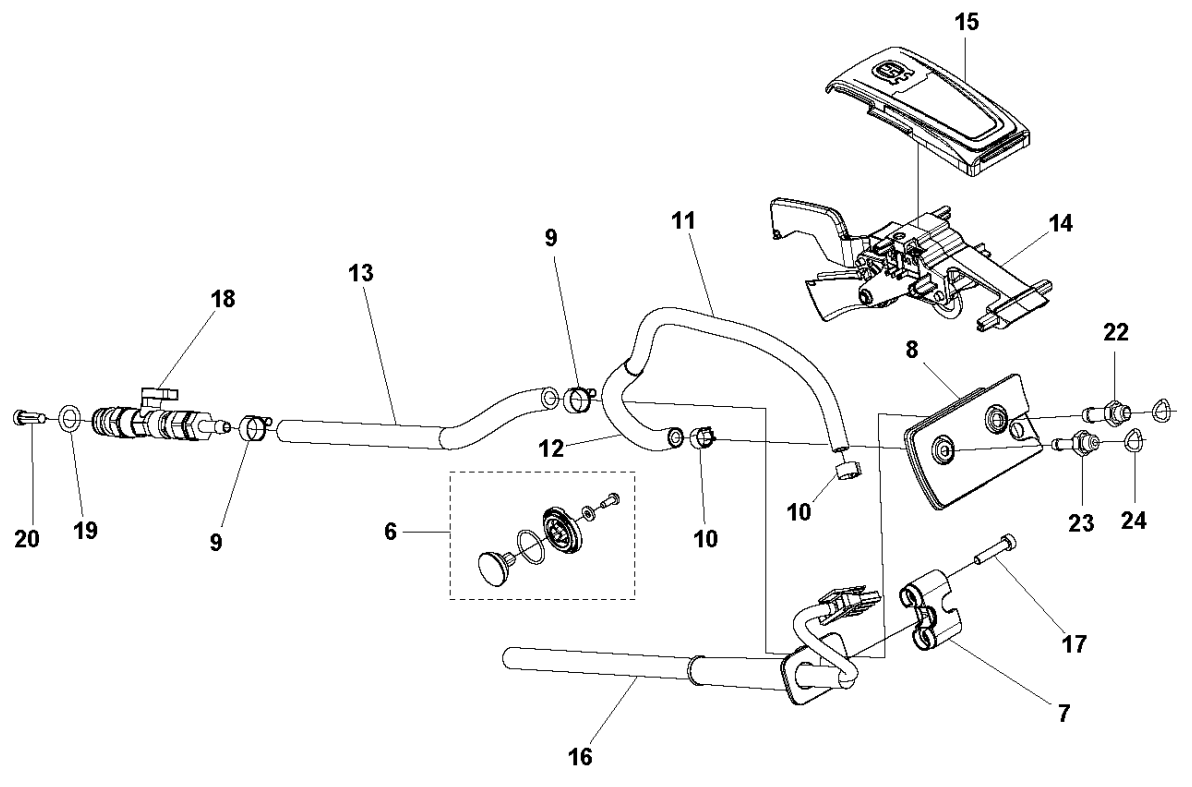
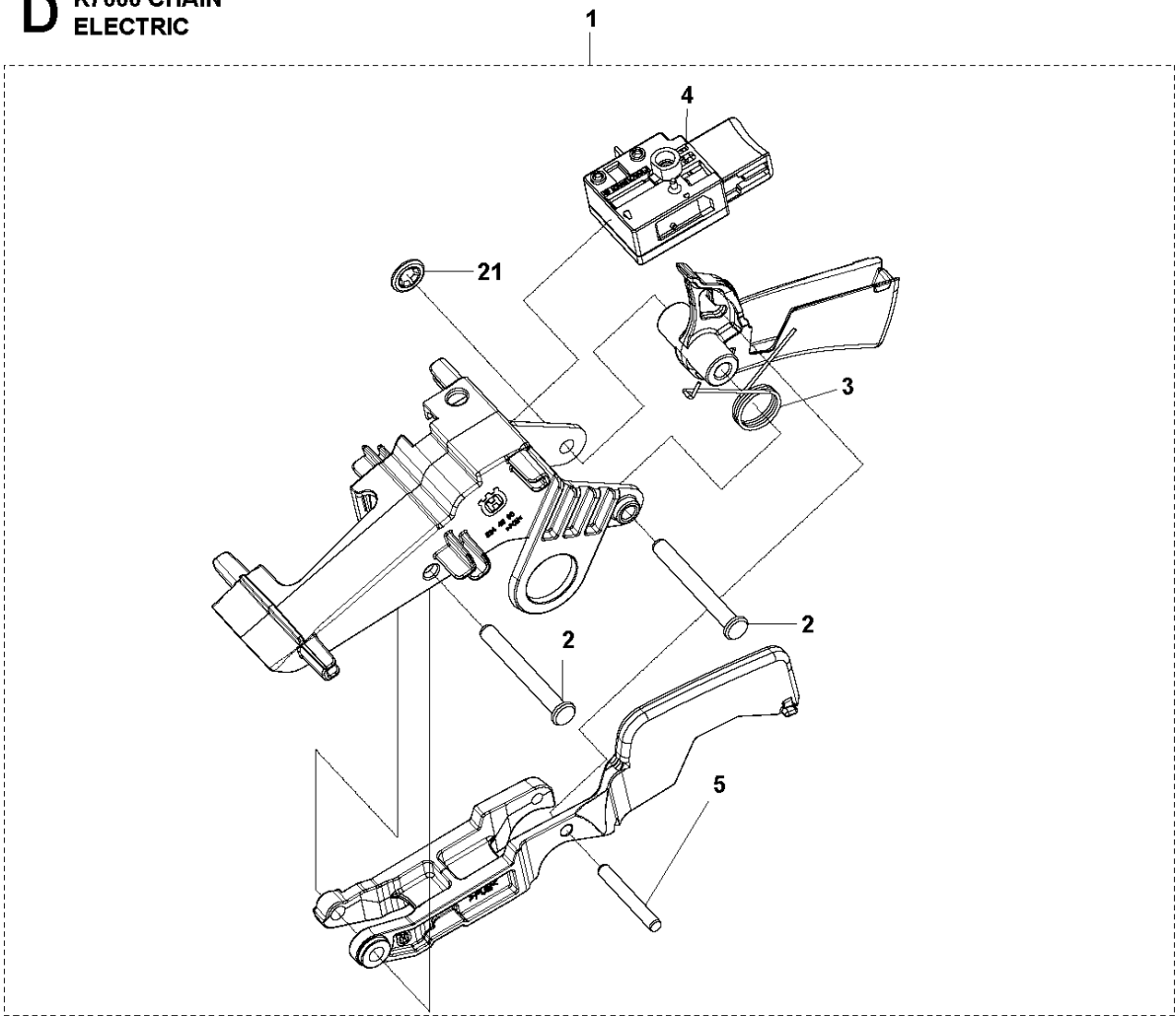


COVER

K7000 CHAIN, 2020-04

Ref	Part No	Description	Remark	QTY KIT	
1	588 57 62-03	BAR BRACKET		1	
3	587 08 82-01	PAWL		1	1
4	506 33 32-01	PLATE		1	1
5	587 08 57-01	SCREW		1	1
6	587 09 12-01	COVER PLATE		1	1
7	723 53 27-51	SCREW SLCSFM		2	1
8	586 99 21-02	HOSE NIPPLE		1	
9	574 84 50-03	HANDLE HALF		1	
10	587 76 40-04	HANDLE HALF		1	
11	587 12 37-01	PLUG		1	26
12	734 11 47-41	WASHER		1	26
13	529 29 12-01	MOTOR COVER		1	
14	529 27 95-02	MOTOR HOUSING		1	
15	504 90 94-14	SCREW ITXSCT		8	
16	503 21 53-26	SCREW ITXSCM		3	
17	575 62 84-07	DECAL		1	
18	504 90 94-40	SCREW ITXSCT		1	
19	544 21 84-40	SCREW ITXSCM		2	
20	537 21 03-04	ANTIVIBRATION ELEMENT		1	
21	537 21 03-11	ANTIVIBRATION ELEMENT		1	
22	581 16 60-01	DECAL	US ONLY	1	
22	581 16 60-03	DECAL		1	
23	581 16 61-01	DECAL		1	
24	504 90 94-10	SCREW ITXSCT		1	26
25	588 59 89-01	PLUG		1	
26	587 32 86-01	DECAL		1	31
27	587 09 83-01	WEAR PROTECTION		1	31
28	506 28 76-01	RETAINER RING		2	31
29	586 21 71-01	NUT		2	31
30	588 57 63-01	COVER		1	
31	740 42 06-00	O-RING		1	

D K7000 CHAIN
ELECTRIC

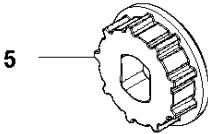
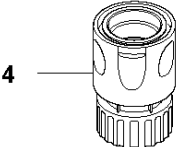
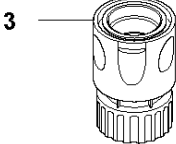
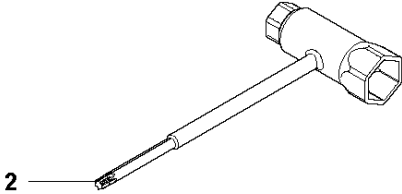
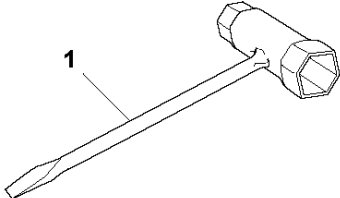


ELECTRICAL

K7000 CHAIN, 2020-04

Ref	Part No	Description	Remark	QTY	KIT
1	588 57 61-01	TRIGGER		1	
2	587 83 57-01	PARALLEL PIN		2	1
3	574 35 42-02	TORSION SPRING		1	1
4	587 22 23-01	TOGGLE SWITCH		1	1
5	720 12 76-06	PARALLEL PIN		1	1
6	585 43 90-02	SPINDLE		1	
7	525 32 28-01	CLIP		1	
8	575 29 54-01	GROMMET		1	
9	576 12 97-01	HOSE CLAMP		2	
10	506 49 87-01	HOSE CLAMP		2	
11	578 19 81-01	HOSE		1	
12	506 35 27-01	PROTECTIVE SPRING		1	
13	581 89 36-07	HOSE		1	
14	588 57 61-01	TRIGGER		1	
15	598 89 14-04	DISPLAY		1	
16	595 01 88-01	WIRING ASSY		1	
17	504 90 94-25	SCREW ITXSCT		1	
18	587 43 78-01	VALVE ASSY		1	
19	505 10 35-01	O-RING		1	
20	506 29 88-01	FILTER		1	
21	735 58 35-01	WASHER		1	
22	501 28 29-02	NIPPLE		1	
23	501 28 29-01	NIPPLE		1	
24	740 42 06-00	O-RING		1	

E K7000 CHAIN
ACCESSORIES



ACCESSORIES

K7000 CHAIN, 2020-04

Ref	Part No	Description	Remark	QTY KIT
1	501 69 17-02	COMBINATION WRENCH		1
2	506 38 26-01	TOOL		1
3	503 26 60-03	COUPLER		1
4	503 26 60-04	COUPLER		1
5	587 26 98-01	SPLINEWAY		1