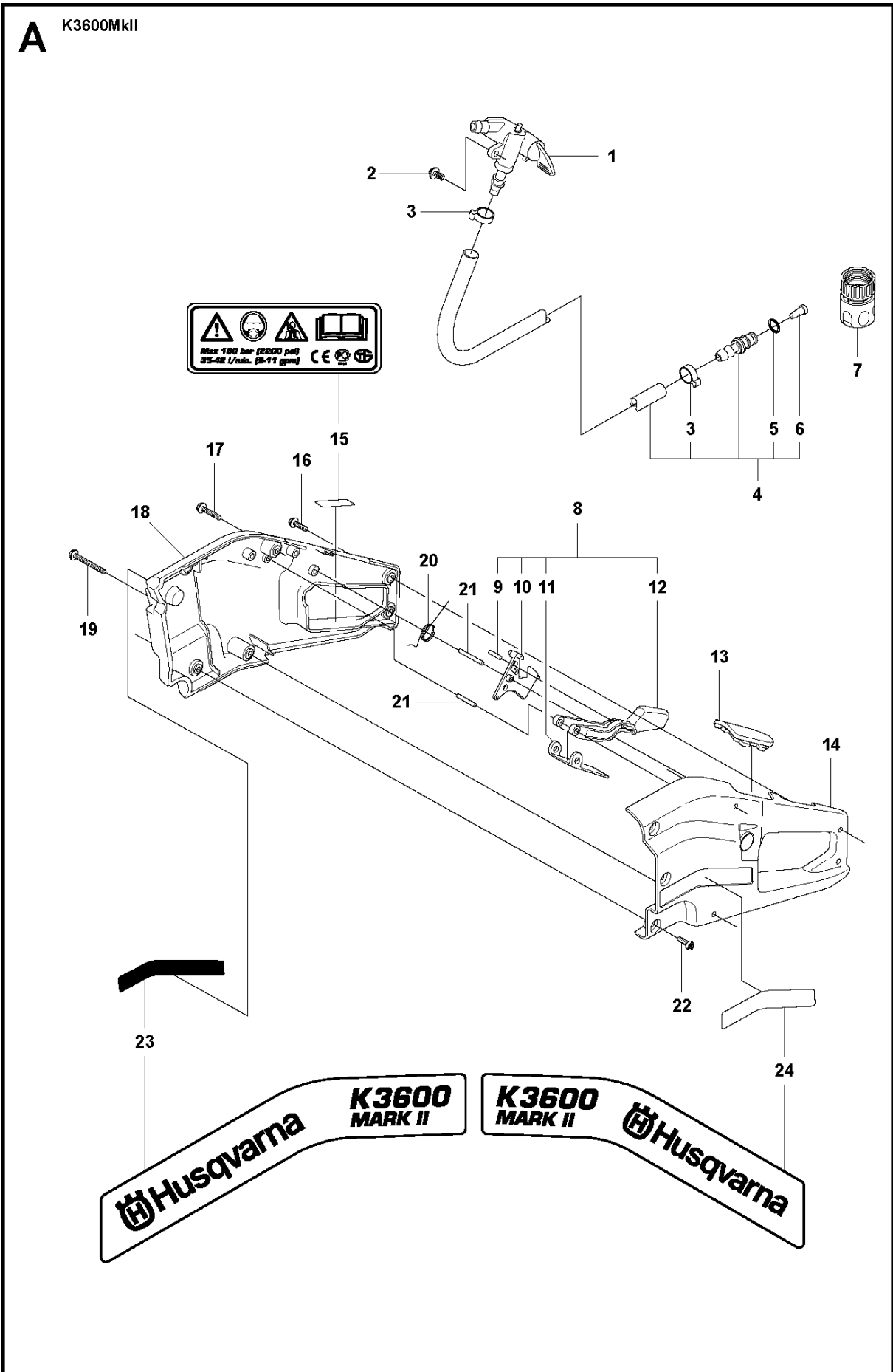




SPARE PARTS LIST

POWER CUTTERS

K3600 MkII, 2009-01

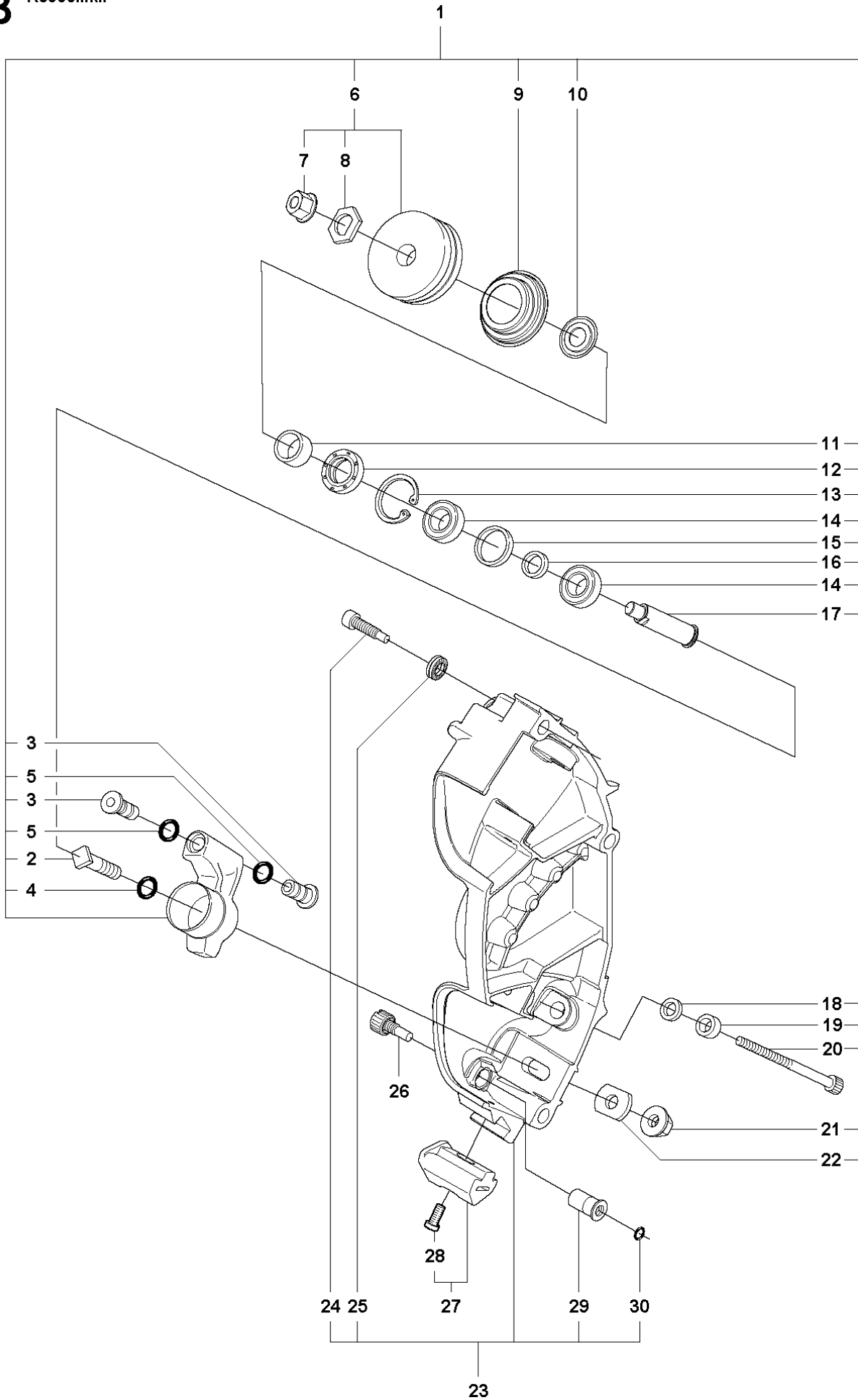


HANDLE

K3600 MkII, 2009-01

Ref	Part no.	Description	Remark	Qty	Kit
1	506 34 94-02	TAP		1	
2	503 21 46-01	SCREW		2	
3	506 49 87-02	HOSE CLAMP		2	
4	506 29 31-04	WATER HOSE KIT	Incl. 5 - 7	1	
5	505 10 35-01	O-RING		1	
6	506 29 88-01	FILTER		1	
7	503 26 60-03	COUPLER	USA	1	
7	503 26 60-04	COUPLER		1	
8	506 37 76-02	THROTTLE TRIGGER	Incl. 9 - 12	1	
9	720 12 71-52	PARALLEL PIN		1	
10	506 20 34-03	THROTTLE TRIGGER		1	
11	506 31 63-01	PLATE		1	
12	506 27 21-02	THROTTLE LOCKOUT		1	
13	506 35 54-03	WINDOW		1	
14	506 24 52-03	HANDLE HALF LEFT		1	
15	544 87 32-01	DECAL		1	
16	503 21 53-16	SCREW ITXSCM		4	
17	503 21 53-26	SCREW ITXSCM		1	
18	506 24 53-03	HANDLE HALF RIGHT		1	
19	503 21 53-41	SCREW ITXSCM		1	
20	506 26 26-01	TORSION SPRING		1	
21	720 13 16-06	PARALLEL PIN		1	
22	503 21 53-12	SCREW ITXSCM		3	
23	544 87 29-01	LABEL		1	
24	544 87 30-01	LABEL		1	
25	720 13 13-06	PARALLEL PIN		1	

B K3600MkII

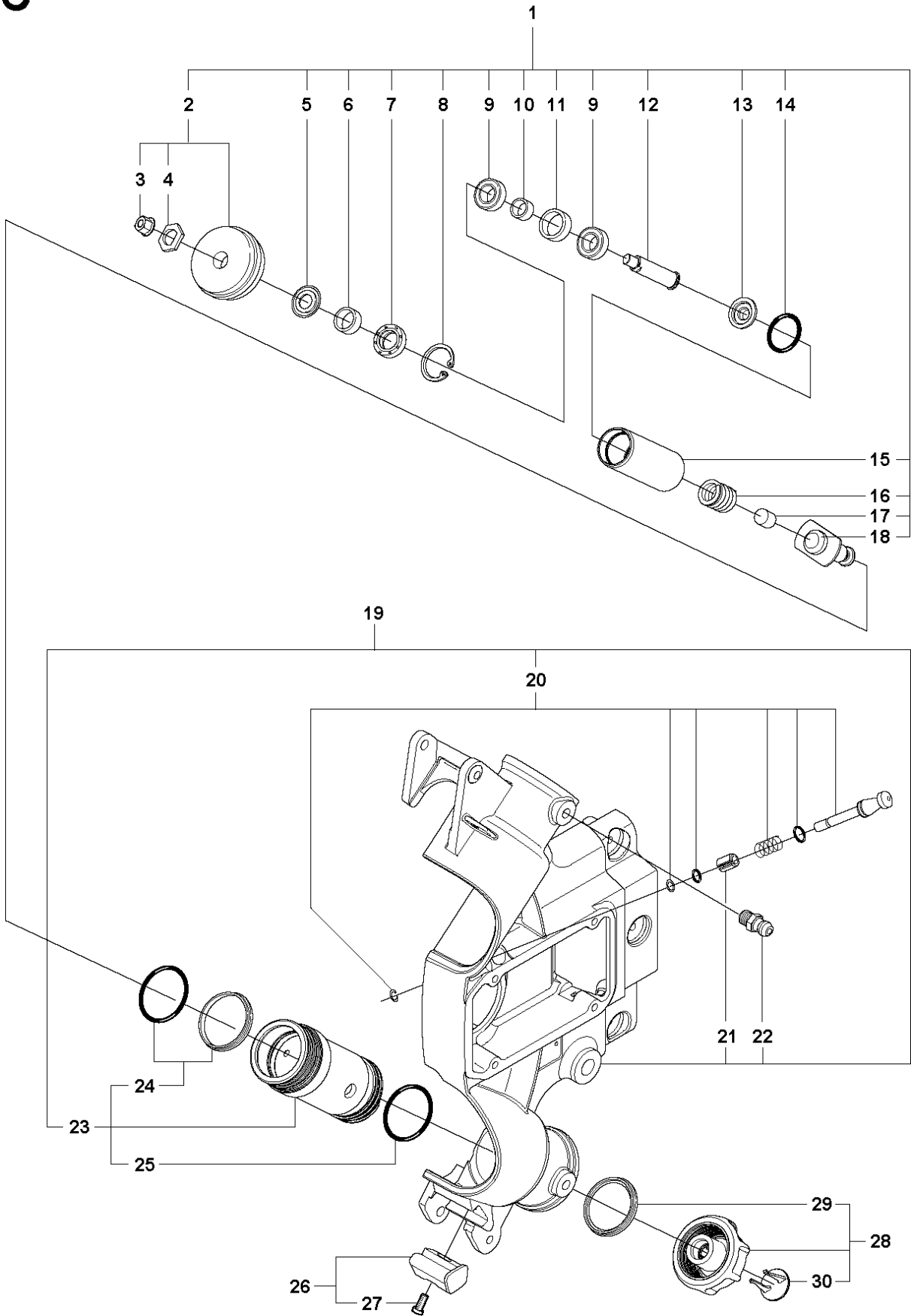


LEVER

K3600 MkII, 2009-01

Ref	Part no.	Description	Remark	Qty	Kit
1	506 35 18-07	LEVER ASSY	Incl. 2 - 6, 9 - 22	2	
2	506 34 64-01	SCREW		1	
3	506 33 49-03	SPACER TUBE		2	
4	503 26 30-08	O-RING		1	
5	503 26 30-26	O-RING		2	
6	506 35 21-03	SUPPORT ROLLER	Incl. 7, 8	1	
7	503 22 04-01	NUT		1	
8	506 30 34-01	DRIVER		1	
9	506 39 95-01	SEALING		1	
10	506 32 17-01	WASHER		1	
11	506 37 93-02	SPACING SLEEVE		1	
12	503 26 20-01	SEALING RING		1	
13	735 31 28-10	CIRCLIP		1	
14	503 25 24-01	BALL BEARING		2	
15	506 31 68-02	SPACING SLEEVE		1	
16	506 30 33-02	SPACING SLEEVE		1	
17	506 49 32-02	SHAFT		1	
18	506 37 63-01	SPACER		1	
19	506 37 64-01	RUBBER BUSHING		1	
20	544 21 84-55	SCREW ITXSCM		1	
21	503 22 00-01	HEXAGON NUT FLANGE		1	
22	506 34 63-01	WASHER		1	
23	521 91 50-02	COVER	Incl. 24 - 25, 29 - 30	1	
24	503 20 54-35	SCREW IHSCMO		3	
25	503 23 04-03	WASHER		3	
26	505 57 49-01	ADJUSTING WHEEL		2	
27	506 35 19-03	WEAR PROTECTION	Incl. 28	1	
28	505 57 41-16	SCREW ITXSCM		1	
29	506 33 08-01	THREAD BUSHING		2	
30	740 42 04-00	O-RING		2	

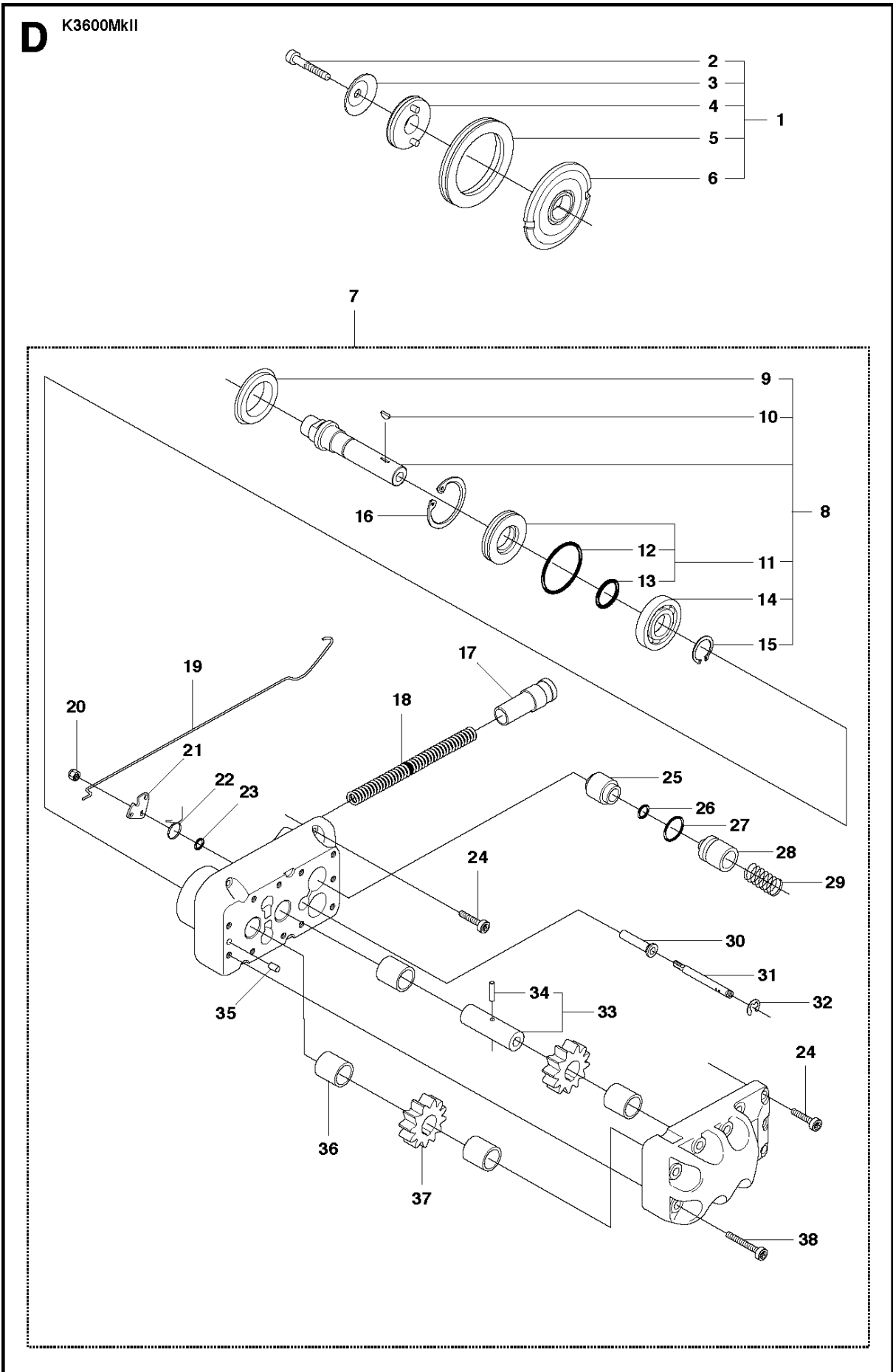
C K3600MkII



CHASSIS / FRAME

K3600 MkII, 2009-01

Ref	Part no.	Description	Remark	Qty	Kit
1	506 49 34-01	BEARING CAGE	Incl. 2, 5 - 18	2	
1	506 49 34-02	BEARING CAGE	Incl. 2, 5 - 18. Double groove	2	
2	506 35 20-05	GUIDE ROLLER	Incl. 3, 4	1	
2	506 35 20-06	GUIDE ROLLER	Incl. 3, 4. Double groove	1	
3	503 22 04-01	NUT		1	
4	506 30 34-01	DRIVER		1	
5	506 31 69-01	DUST COVER		1	
6	506 37 93-02	SPACING SLEEVE		1	
7	503 26 20-01	SEALING RING		1	
8	735 31 28-10	CIRCLIP		1	
9	503 25 24-01	BALL BEARING		2	
10	506 30 33-01	SPACING SLEEVE		1	
11	506 31 68-01	SPACING SLEEVE		1	
12	506 49 32-01	SHAFT		1	
13	506 38 11-01	CAP		1	
14	740 48 20-12	O-RING		1	
15	506 38 09-01	BEARING CAGE		1	
16	506 34 76-01	COMPRESSION SPRING		1	
17	506 30 35-01	BUMPER		1	
18	506 38 97-01	PIN		1	
19	506 36 83-06	CHASSIS	Incl. 20 - 23	1	
20	506 30 09-01	LOCKING BUTTON		1	
21	721 44 06-00	SPRING PIN		1	
22	738 88 10-01	LUBRICATION NIPPLE		2	
23	544 07 76-01	SLEEVE	Incl. 24 - 25	2	
24	506 34 39-01	WIPER		2	
25	740 48 25-02	O-RING		2	
26	506 35 19-03	WEAR PROTECTION	Incl. 27	1	
27	505 57 41-16	SCREW ITXSCM		1	
28	506 38 22-02	KNOB	Incl. 29 - 30	1	
29	506 33 65-01	SEALING RING		1	
30	506 38 21-02	CAP		1	

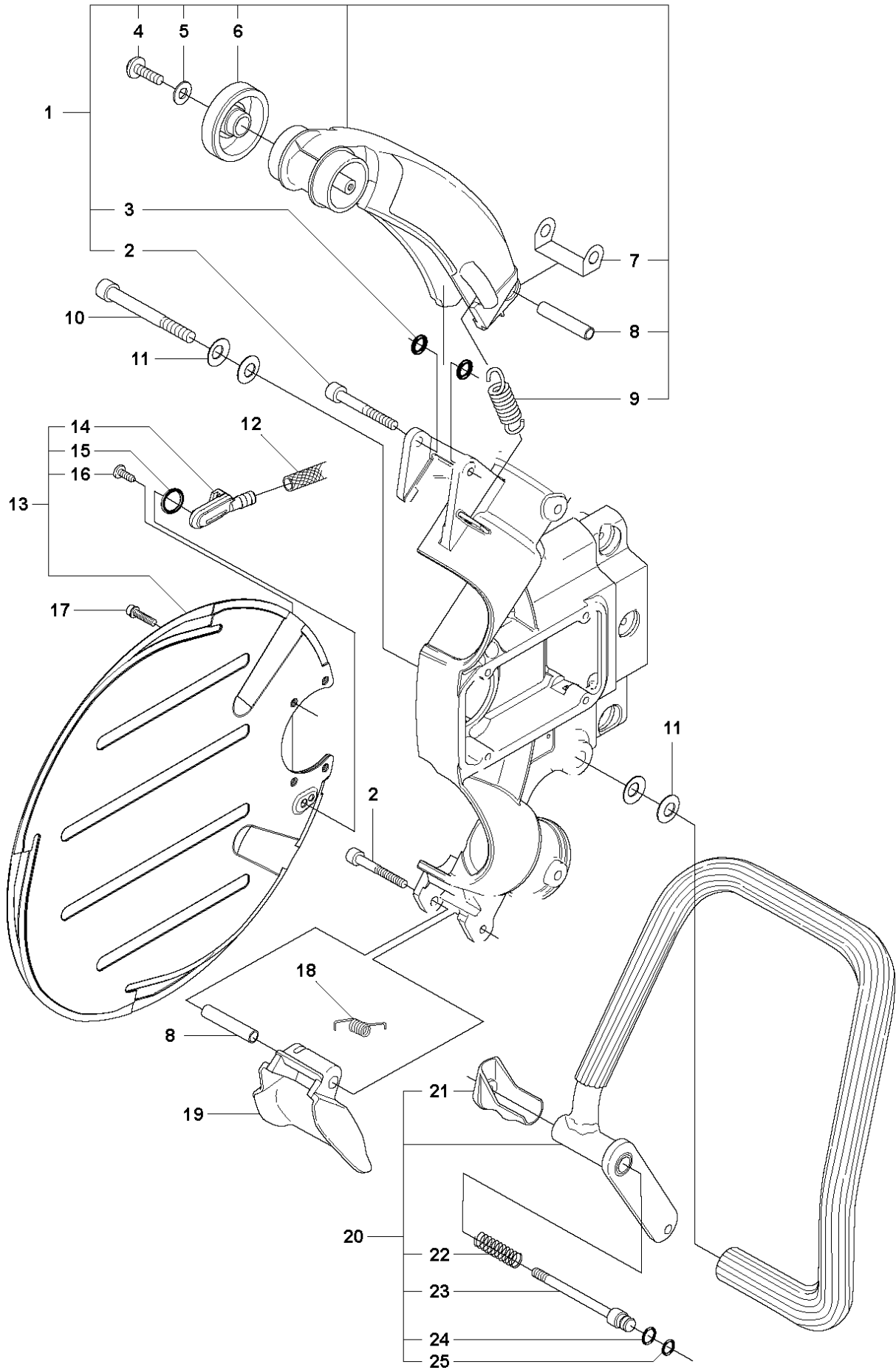


HYDRAULIC PUMP - MOTOR

K3600 MkII, 2009-01

Ref	Part no.	Description	Remark	Qty	Kit
1	506 32 08-04	GEAR WHEEL ASSY	06-feb	1	
2	544 21 84-37	SCREW ITXSCM		1	1
3	506 13 95-12	WASHER		1	1
4	506 31 22-02	DRIVER		1	1
5	506 17 83-04	GEAR WHEEL		1	1
6	506 25 65-02	FLANGE WASHER		1	1
7	544 88 66-02	HYDRAULIC MOTOR		1	
8	506 34 67-14	KIT	9-11, 14, 15	1	7
9	506 27 34-01	SEALING COLLAR		1	7, 8
10	735 88 06-00	WOODRUFF KEY		1	7, 8
11	506 30 11-14	SEALING	13-dec	1	7, 8
12	506 11 03-01	O-RING		1	7, 11
13	503 26 30-28	O-RING		1	7, 11
14	738 22 01-25	BALL BEARING		1	7, 8
15	735 31 14-00	CIRCLIP		1	7, 8
16	735 31 31-10	CIRCLIP		1	7
17	506 21 82-01	PLUNGE		1	7
18	506 21 83-01	SPRING		1	7
19	506 35 95-01	THROTTLE ROD		1	7
20	732 25 12-01	HEXAGON LOCKING NUT		1	7
21	506 20 31-01	LEVER		1	7
22	506 20 38-01	SPRING		1	7
23	740 43 02-00	O-RING		1	7
24	503 21 53-20	SCREW ITXSCM		9	7
25	506 21 85-01	VALVE SEAT		1	7
26	740 42 03-00	O-RING		1	7
27	740 43 11-00	O-RING		1	7
28	506 21 80-01	VALVE CONE		1	7
29	506 21 81-01	SPRING		1	7
30	506 21 60-01	VALVE SLEEVE		1	7
31	506 21 59-01	VALVE SPINDLE		1	7
32	735 31 08-20	E-CLIP		1	7
33	506 32 00-01	SHAFT		1	7
34	503 24 07-01	PARALLEL PIN		6	7
35	501 27 08-01	GUIDE BUSHING	36,37	1	7
36	506 11 05-01	BEARING		4	7
37	506 22 96-09	GEAR WHEEL		1	7
38	503 21 53-30	SCREW ITXSCM		1	7

E K3600MkII

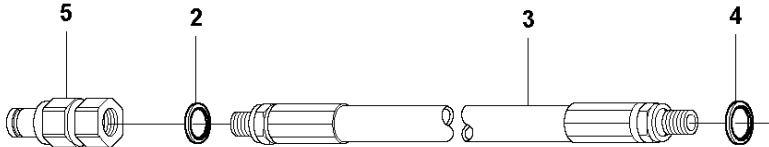
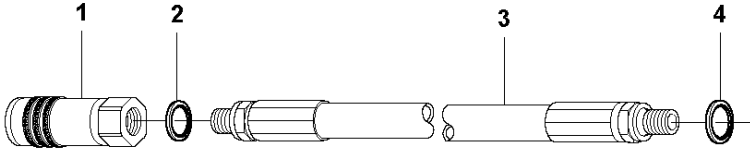


GUARDS

K3600 MkII, 2009-01

Ref	Part no.	Description	Remark	Qty	Kit
1	506 24 69-06	BLADE GUARD	Incl. 2 - 9	1	
2	544 21 84-47	SCREW ITXSCM		2	
3	503 26 30-25	O-RING		2	
4	503 21 46-01	SCREW		2	
5	734 48 80-01	WASHER		2	
6	506 26 22-02	WHEEL		2	
7	506 31 28-01	COVER PLATE		1	
8	506 31 45-01	SPACER TUBE		1	
9	504 11 67-01	SPRING		1	
10	725 54 69-05	SCREW IHSCM		1	
11	506 10 55-01	CUP SPRING		4	
12	501 98 65-01	HOSE		1	
13	506 38 33-02	WATER BLADE	Incl. 14 - 16	1	
14	506 38 29-01	NIPPLE		1	
15	505 10 35-01	O-RING		1	
16	729 52 89-71	SCREW CRPANT		1	
17	505 57 41-16	SCREW ITXSCM		4	
18	506 25 75-01	TORSION SPRING		1	
19	506 25 68-02	SPRAY GUARD		1	
20	506 35 72-04	HANDLE ASSY	Incl. 21 - 25	1	
21	506 35 73-02	GRIP		1	
22	506 24 95-01	SPRING		1	
23	544 13 74-01	PIN		1	
24	503 26 30-22	O-RING		1	
25	740 43 03-00	O-RING		1	

F K3600MkII

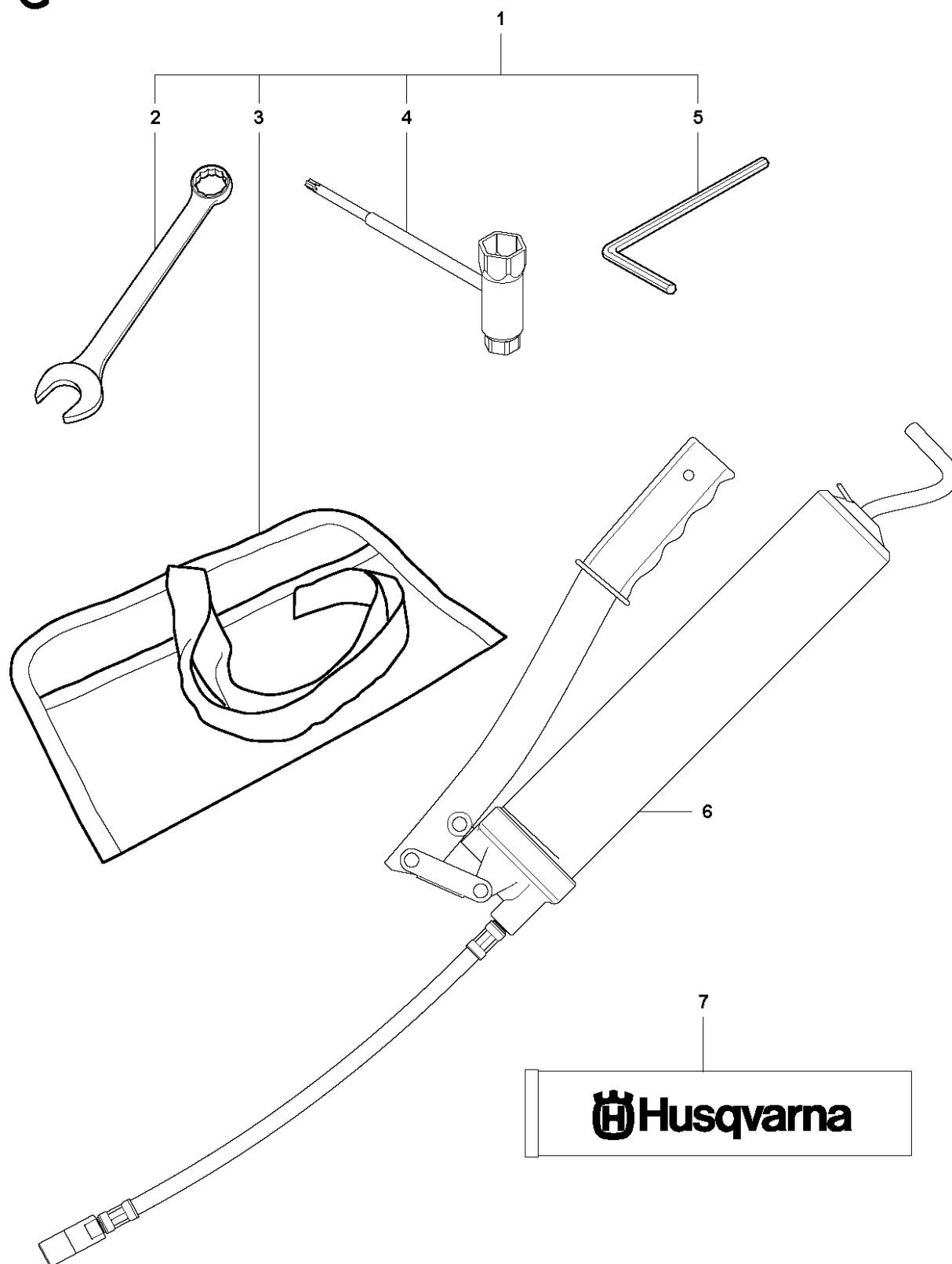


HOSE

K3600 MkII, 2009-01

Ref	Part no.	Description	Remark	Qty	Kit
1	506 10 96-21	QUICK COUPLING	Female	1	
2	740 38 34-01	SEALING WASHER		2	
3	506 10 95-02	HYDRAULIC HOSE		2	
4	740 38 27-01	SEALING WASHER		2	
5	506 10 98-21	QUICK COUPLING	Male	1	

G K3600MkII



TOOLS

K3600 MkII, 2009-01

Ref	Part no.	Description	Remark	Qty	Kit
1	506 36 38-04	TOOL	Incl. 2 - 5	1	
2	506 35 52-01	SPANNER	19mm	1	
3	501 19 22-01	TOOL CASING		1	
4	506 38 26-01	COMBINATION TOOL	13-19mm	1	
5	506 36 36-01	ALLEN KEY	6mm	1	
6	506 38 49-02	LUBRICATION GUN		1	
7	544 08 04-02	GREASE		1	