

## K3600 MkII

Reservdelar

Spare parts

Ersatzteile

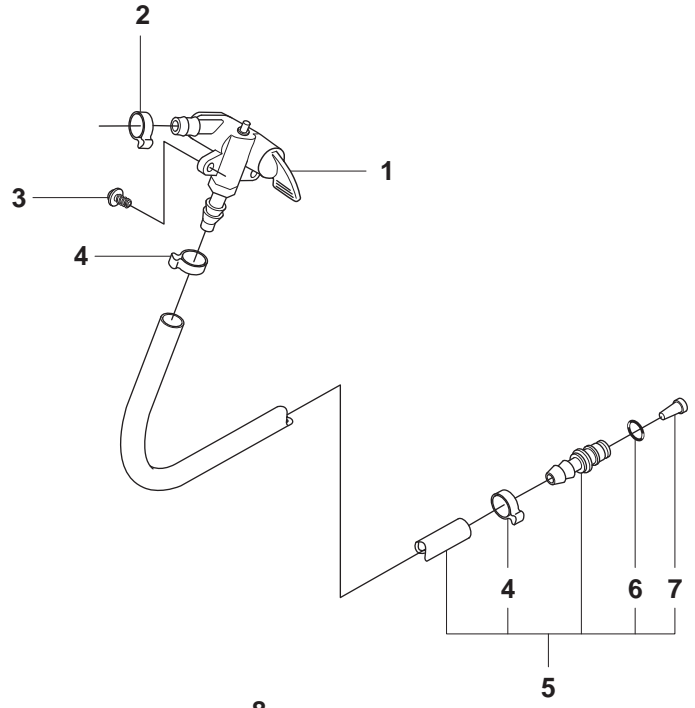
Pieces de rechange

Piezas de repuesto

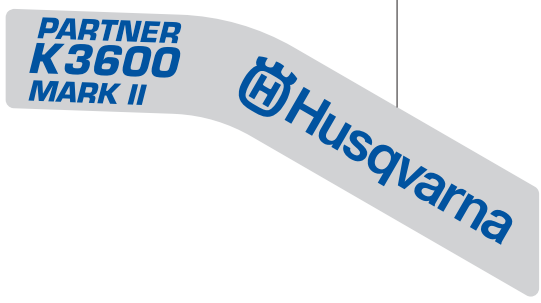
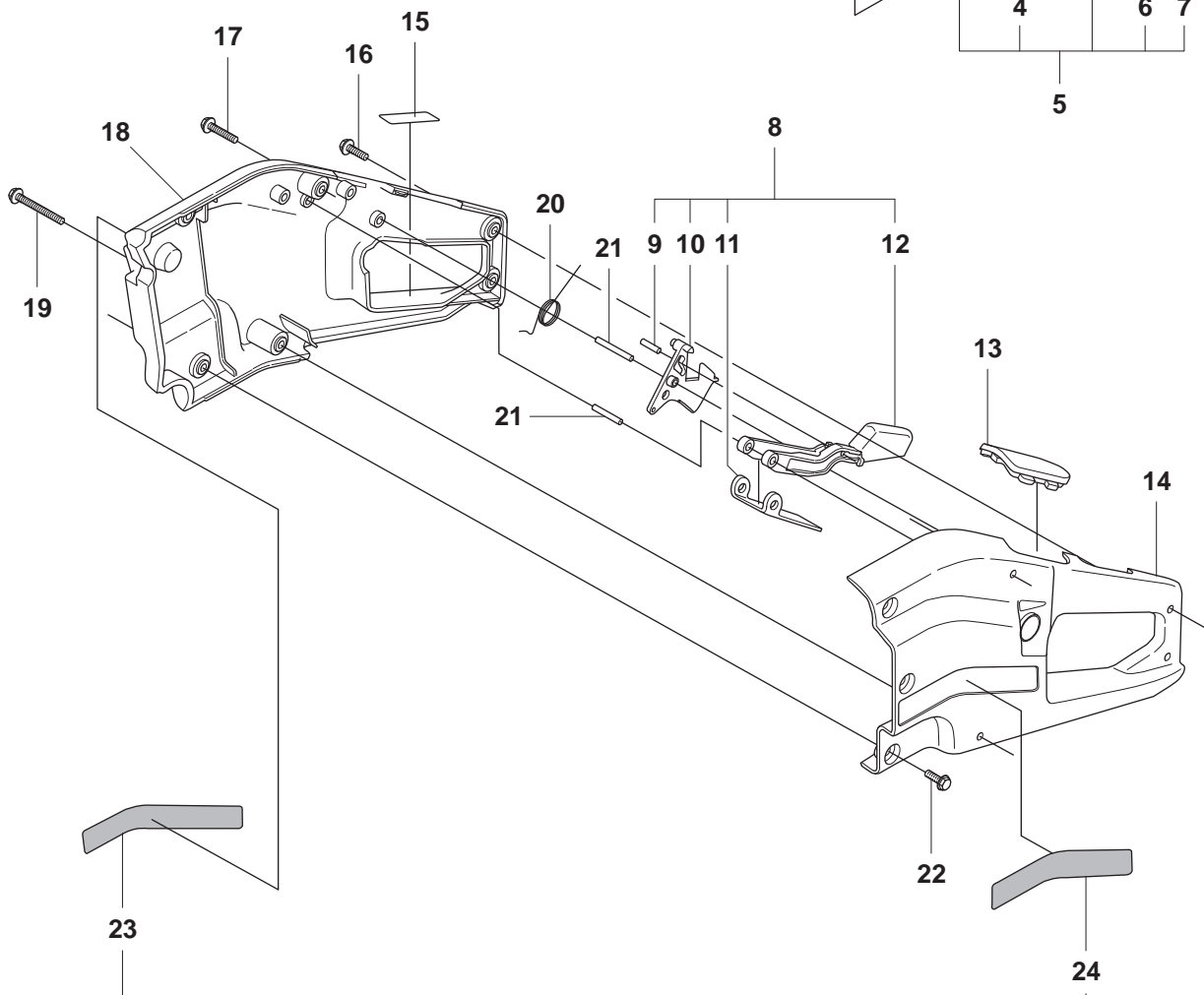
Ricambi

Peças sobresselente

**A** K3600MkII



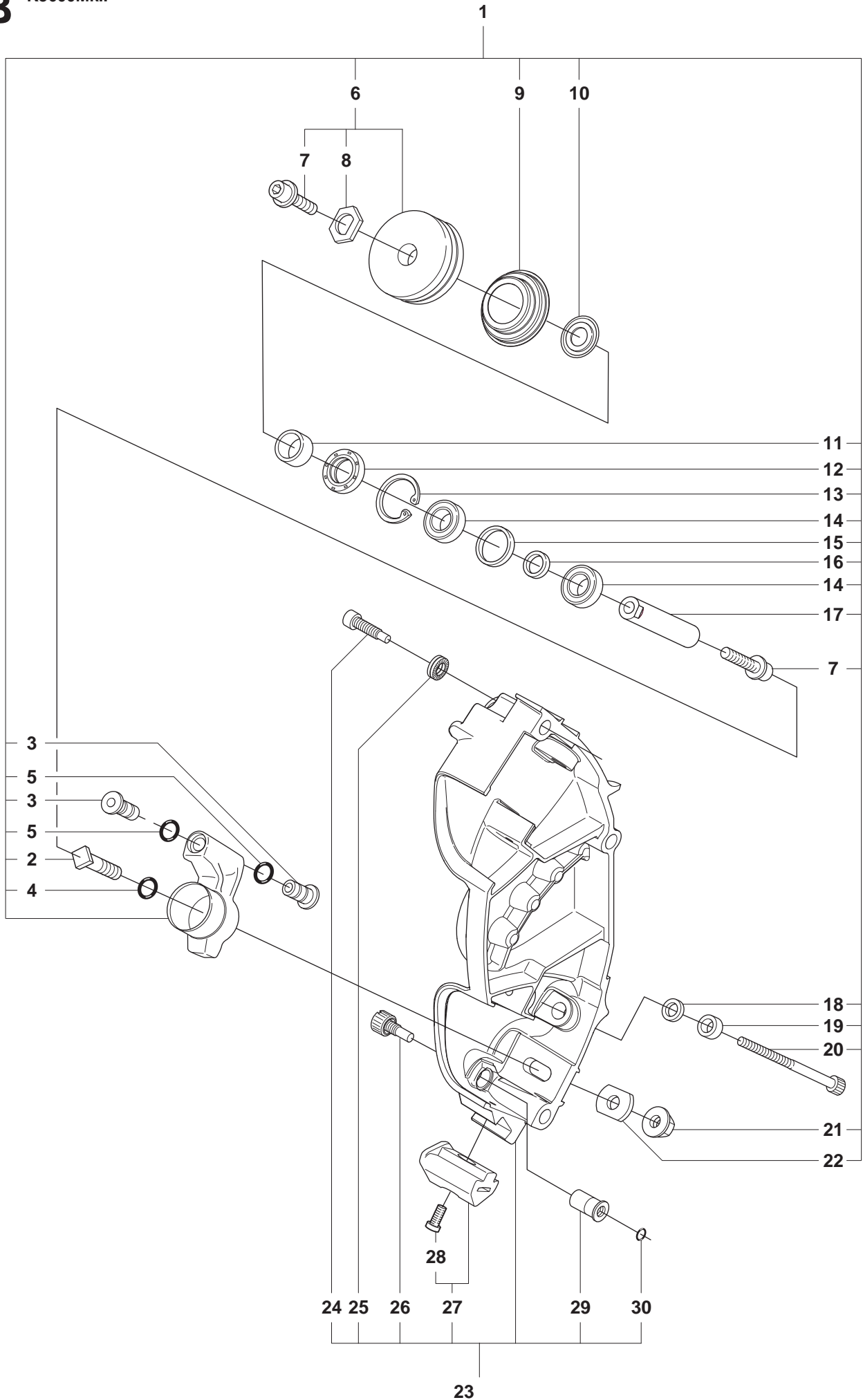
Max 150 bar (2200 psi)
   
 35-42 l/min. (9-11 gpm)
   
 CE



**Page A**  
**K3600 MkII**

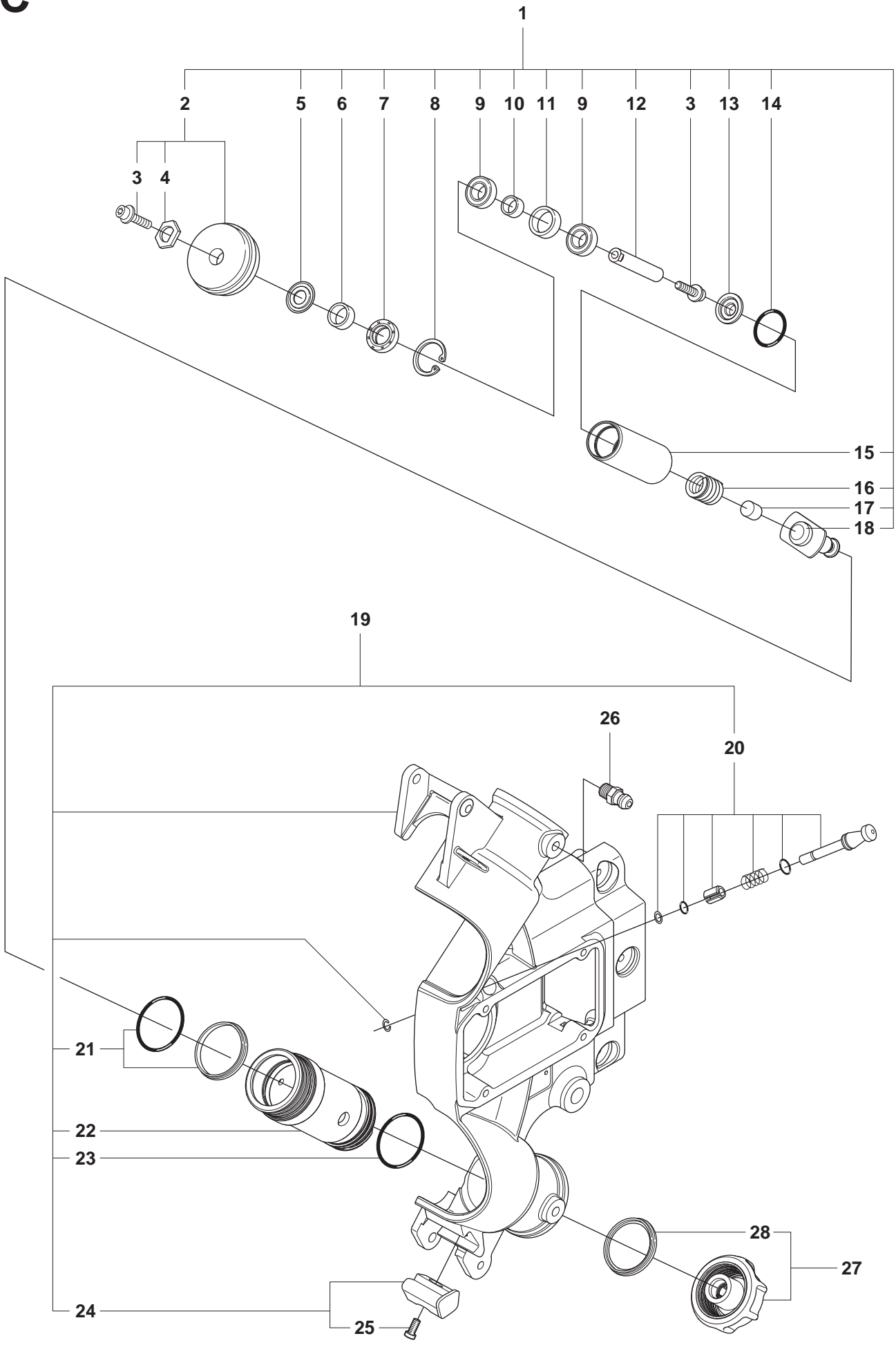
<b>Pos.</b>	<b>Part No.</b>	<b>Description</b>	<b>Quantity</b>	<b>Notes</b>
1	506 34 94-02	TAP	1	
2	506 09 56-03	HOSE CLAMP	1	
3	503 21 46-01	SCREW	2	
4	506 09 56-02	HOSE CLAMP	2	
5	506 29 31-01	WATER HOSE KIT	1	Incl. 4, 6, 7
6	503 26 30-21	O-RING	1	
7	506 29 88-01	FILTER	1	
8	506 37 76-02	THROTTLE TRIGGER	1	Incl. 9, 10, 11, 12
9	720 12 71-52	PIN	1	
10	506 20 34-03	THROTTLE TRIGGER	1	
11	506 31 63-01	PLATE	1	
12	506 27 21-02	THROTTLE LOCKOUT	1	
13	506 35 54-03	WINDOW	1	
14	506 24 52-03	HANDLE HALF LEFT	1	
15	544 87 32-01	LABEL WARNING	1	
16	503 20 00-04	SCREW COLLAR	4	
17	503 20 00-05	SCREW COLLAR	1	
18	506 24 53-03	HANDLE HALF RIGHT	1	
19	503 20 00-07	SCREW COLLAR	1	
20	506 26 26-01	TORSION SPRING	1	
21	720 13 16-06	PIN	2	
22	503 20 00-03	SCREW COLLAR	3	
23	544 87 29-01	LABEL	1	
24	544 87 30-01	LABEL	1	

**B** K3600MkII



**Page B**  
**K3600 MkII**

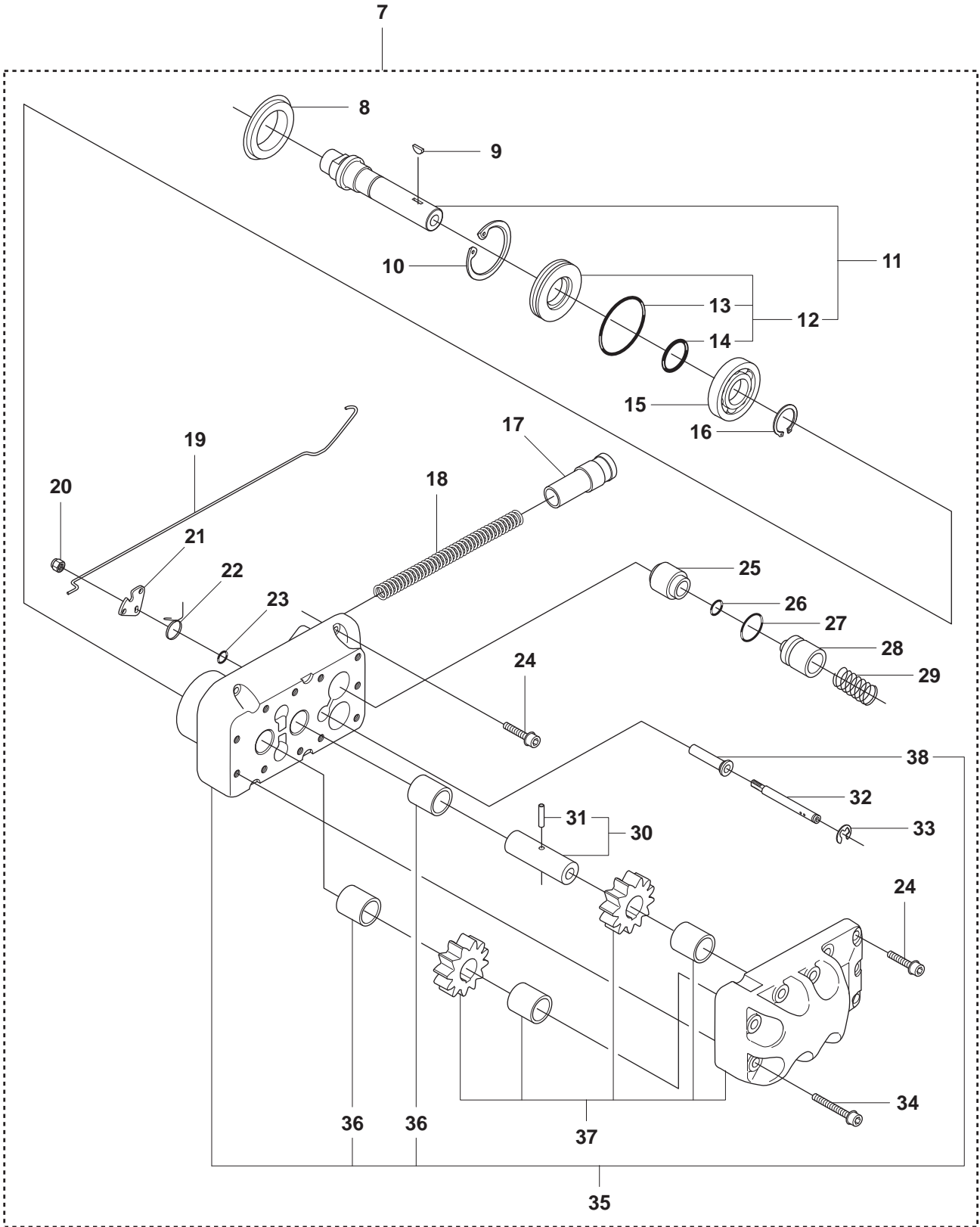
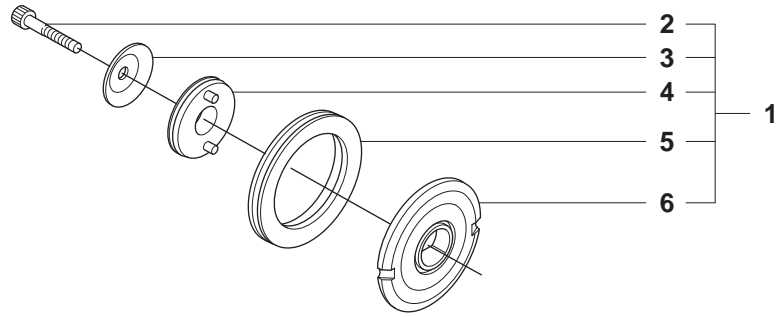
Pos.	Part No.	Description	Quantity	Notes
1	506 35 18-06	LEVER	1	Incl. 2 - 6, 9 - 23
2	506 34 64-01	SCREW	1	
3	506 33 49-03	SPACER TUBE	2	
4	503 26 30-08	O-RING	1	
5	503 26 30-26	O-RING	2	
6	506 35 21-02	SUPPORT ROLLER	1	Incl. 7, 8
7	503 20 13-18	COLLAR SCREW	1	
8	506 30 34-01	DRIVER	1	
9	506 39 95-01	SEALING	1	
10	506 32 17-01	WASHER	1	
11	506 37 93-02	SPACING SLEEVE	1	
12	503 26 20-01	SEALING RING	1	
13	735 31 28-10	CIRCLIP	1	
14	503 25 24-01	BALL BEARING	2	
15	506 31 68-02	SPACING SLEEVE	1	
16	506 30 33-02	SPACING SLEEVE	1	
17	506 30 29-02	SHAFT	1	
18	506 37 63-01	SPACER	1	
19	506 37 64-01	RUBBER BUSHING	1	
20	725 53 81-56	SCREW	1	
21	503 22 00-01	NUT FLANGE	1	
22	506 34 63-01	WASHER	1	
23	506 28 03-06	COVER	1	Incl. 24, 25, 26 27, 29, 30
24	503 20 54-35	SCREW	3	
25	503 23 04-03	WASHER	3	
26	506 30 14-02	ADJUSTING SCREW	2	
27	506 35 19-01	WEAR PROTECTION	1	Incl. 28
28	725 53 29-55	SCREW	1	
29	506 33 08-01	THREAD BUSHING	1	
30	740 42 04-00	O-RING	2	



**Page C**  
**K3600 MkII**

<b>Pos.</b>	<b>Part No.</b>	<b>Description</b>	<b>Quantity</b>	<b>Notes</b>
1	506 38 23-01	BEARING CAGE	1	Incl. 2, 3, 5 - 18
1	506 38 23-02	BEARING CAGE	1	Incl. 2, 3, 5 - 18. Sweden only
2	506 35 20-02	GUIDE ROLLER	1	Incl. 3, 4
2	506 35 20-03	GUIDE ROLLER	1	Incl. 3, 4. Sweden only
3	503 20 13-18	COLLAR SCREW	1	
4	506 30 34-01	DRIVER	1	
5	506 31 69-01	DUST COVER	1	
6	506 37 93-02	SPACING SLEEVE	1	
7	503 26 20-01	SEALING RING	1	
8	735 31 28-10	CIRCLIP	1	
9	503 25 24-01	BALL BEARING	2	
10	506 30 33-01	SPACING SLEEVE	1	
11	506 31 68-01	SPACING SLEEVE	1	
12	506 30 29-01	SHAFT	1	
13	506 38 11-01	CAP	1	
14	740 48 20-12	O-RING	1	
15	506 38 09-01	BEARING CAGE	1	
16	506 34 76-01	COMPRESSION SPRING	1	
17	506 30 35-01	BUMPER	1	
18	506 38 97-01	PIN	1	
19	506 36 83-05	CHASSIS	1	Incl. 2, 21, 22, 23, 24
20	506 30 09-01	LOCKING BUTTON	1	
21	506 34 39-01	WIPER	2	
22	544 07 76-01	SLEEVE	2	
23	740 48 25-02	O-RING	2	
24	506 35 19-02	WEAR PROTECTION	1	Incl. 25
25	725 53 29-55	SCREW	1	
26	738 88 10-01	LUBRICATION NIPPLE	2	
27	506 38 22-02	KNOB	1	Incl. 28
28	506 33 65-01	SEALING RING	1	

**D** K3600MkII

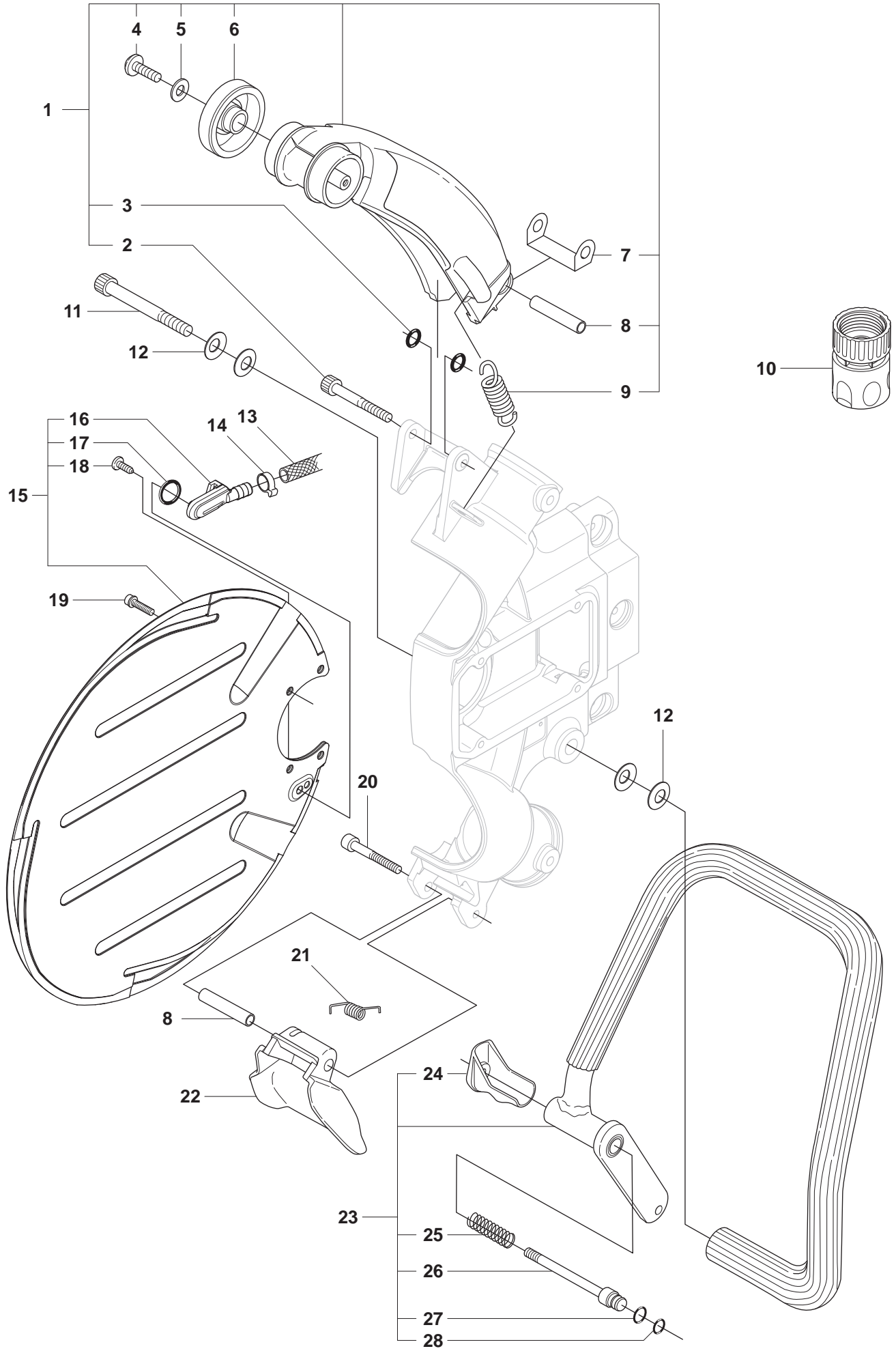




**Page D**  
**K3600 MkII**

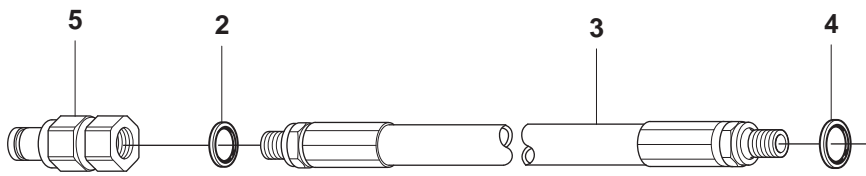
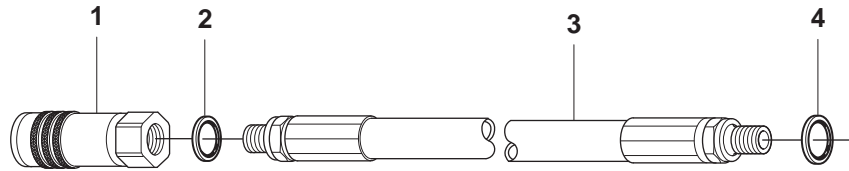
Pos.	Part No.	Description	Quantity	Notes
1	506 32 08-02	GEAR WHEEL ASSY	1	Incl. 2, 3, 4, 5, 6
2	725 53 76-55	SCREW	1	
3	506 13 95-12	WASHER	1	
4	506 31 22-01	DRIVER	1	
5	506 17 83-02	GEAR WHEEL	1	
6	506 25 65-02	FLANGE WASHER	1	
7	506 19 87-03	HYDRAULIC MOTOR	1	Incl. 8-11,
8	506 27 34-01	SEALING COLLAR	1	
9	735 88 06-00	WOODRUFF KEY	1	
10	735 31 31-10	CIRCLIP	1	
11	506 34 67-04	KIT	1	Incl. 12
12	506 30 11-14	SEALING	1	Incl. 13, 14
13	506 11 03-01	O-RING	1	
14	503 26 30-28	O-RING	1	
15	738 22 01-25	BALL BEARING	1	
16	735 31 14-00	CIRCLIP	1	
17	506 21 82-01	PLUNGE	1	
18	506 21 83-01	SPRING	1	
19	506 35 95-01	THROTTLE ROD	1	
20	732 25 12-01	NUT	1	
21	506 20 31-01	LEVER	1	
22	506 20 38-01	SPRING	1	
23	740 43 02-00	O-RING	1	
24	503 20 02-20	SCREW	9	
25	506 21 85-01	VALVE SEAT	1	
26	740 42 03-00	O-RING	1	
27	740 43 11-00	O-RING	1	
28	506 21 80-01	VALVE CONE	1	
29	506 21 81-01	SPRING	1	
30	506 32 00-01	SHAFT	1	Incl. 31
31	503 24 07-01	PIN	1	
32	506 21 59-01	VALVE SPINDLE	1	
33	735 31 08-20	E-RING	1	
34	503 20 02-30	SCREW	6	
35	506 23 35-02	HOUSING	1	Incl. 36, 37
36	506 11 05-01	BEARING	4	
37	506 30 12-01	CAP	1	
38	506 21 60-01	VALVE SLEEVE	1	

**E** K3600MkII



**Page E**  
**K3600 MkII**

<b>Pos.</b>	<b>Part No.</b>	<b>Description</b>	<b>Quantity</b>	<b>Notes</b>
1	506 24 69-05	BLADE GUARD	1	Incl. 2, 3, 4, 5, 6, 7, 8, 9
2	725 53 80-06	SCREW	1	
3	503 26 30-25	O-RING	2	
4	503 21 46-01	SCREW	2	
5	734 48 80-01	WASHER	2	
6	506 26 22-02	TORSION SPRING	2	
7	506 31 28-01	COVER PLATE	1	
8	506 31 45-01	SPACER TUBE	1	
9	506 29 23-01	DRAW SPRING	1	
10	506 26 60-02	WHEEL	1	
11	725 54 69-05	SCREW	1	
12	506 10 55-01	HOSE	4	
13	506 09 58-14	HOSE CLAMP	1	
14	506 09 56-03	COUPLER	1	
15	506 38 33-02	WATER BLADE	1	Incl. 16, 17, 18
16	506 38 29-01	NIPPLE	1	
17	503 26 30-21	O-RING	1	
18	729 52 89-71	SCREW	1	
19	725 53 27-55	SCREW	4	
20	725 53 79-56	SCREW	1	
21	506 25 75-01	SPRING	1	
22	506 25 68-02	SPLASH GUARD	1	
23	506 35 72-04	HANDLE ASSY	1	Incl. 24, 25, 26, 27, 28
24	506 35 73-02	GRIP	1	
25	506 24 95-01	BLADE GUARD	1	
26	544 13 74-01	PIN	1	
27	503 26 30-22	O-RING	1	
28	740 43 03-00	O-RING	1	



**Page F**  
**K3600 MkII**

<b>Pos.</b>	<b>Part No.</b>	<b>Description</b>	<b>Quantity</b>	<b>Notes</b>
1	506 10 96-21	QUICK COUPLING	1	
2	740 38 34-01	WASHER	2	
3	506 10 95-02	HYDRAULIC HOSE	2	
4	740 38 27-01	WASHER	2	

1

2

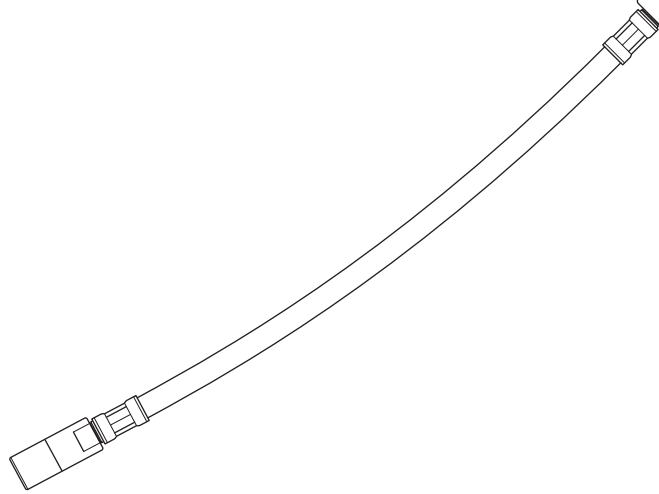
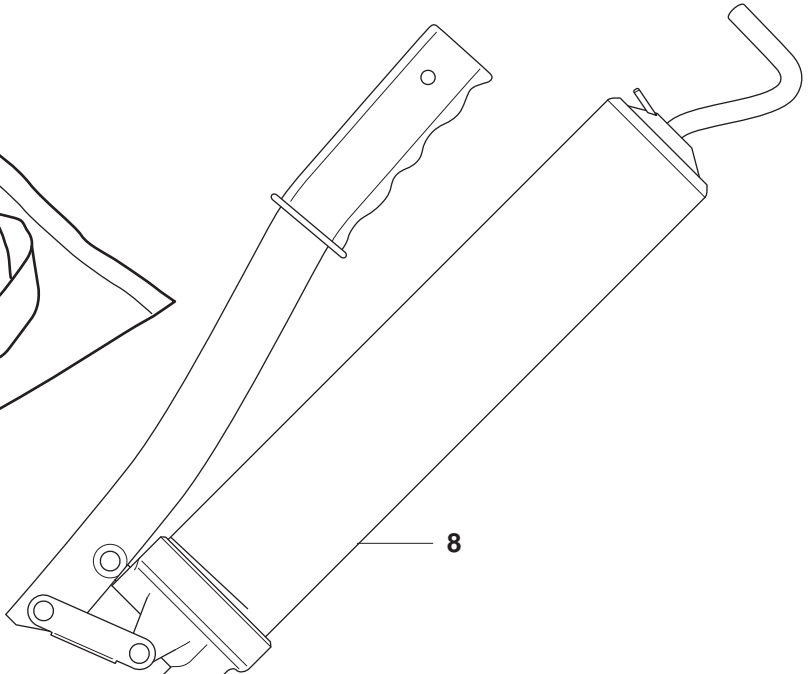
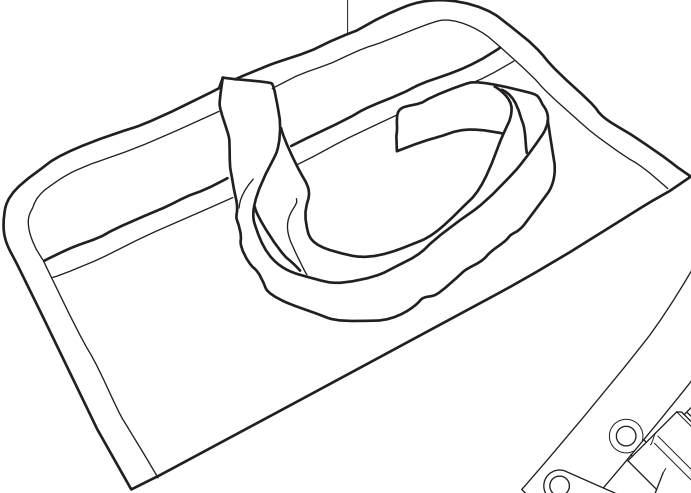
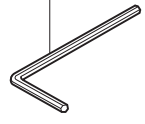
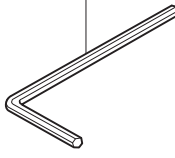
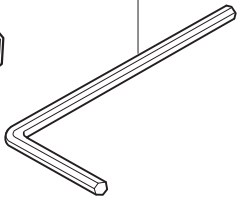
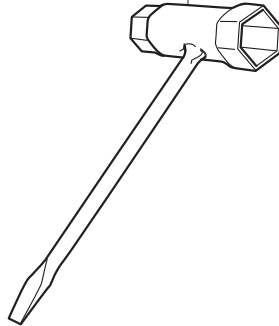
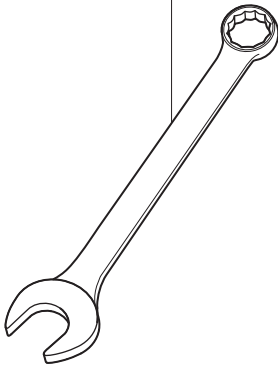
3

4

5

6

7



9



**Page G**  
**K3600 MkII**

<b>Pos.</b>	<b>Part No.</b>	<b>Description</b>	<b>Quantity</b>	<b>Notes</b>
1	506 36 38-02	TOOL KIT	1	Incl. 2, 3, 4, 5, 6, 7
2	506 35 52-01	KEY	1	19mm
3	501 19 22-01	TOOL CASING	1	
4	501 69 17-02	COMBINATION TOOL	1	13-19mm
5	506 36 36-01	L-SPANNER	1	6mm
6	506 38 37-02	L-SPANNER	1	5mm
7	502 21 58-01	L-SPANNER	1	4mm
8	506 38 49-02	LUBRICATION GUN	1	
9	544 08 04-02	GREASE TUBE	1	