

K3000

K3000 Wet

Reservdelar

Spare parts

Ersatzteile

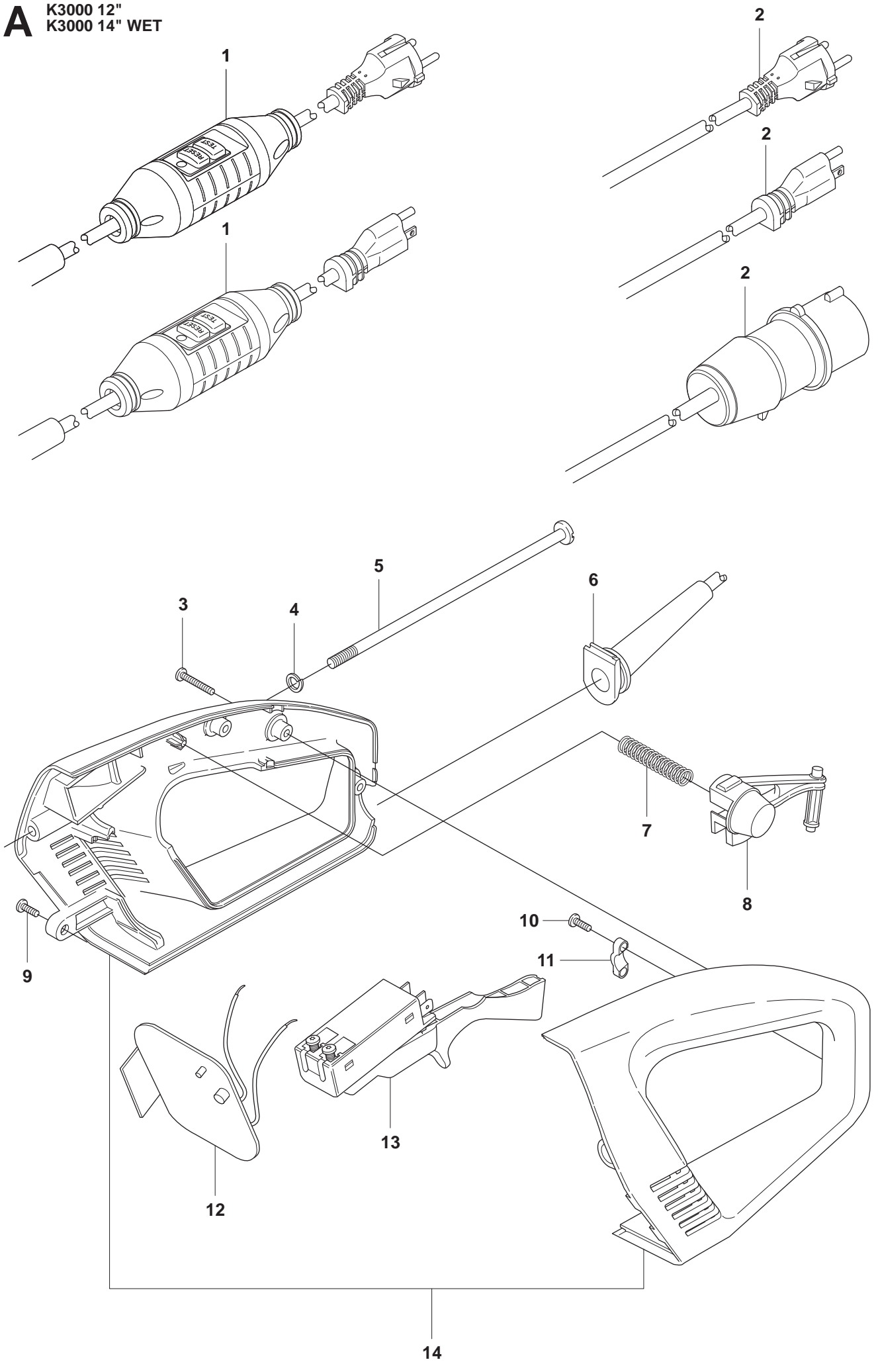
Pieces de rechange

Piezas de repuesto

Ricambi

Peças sobresselente

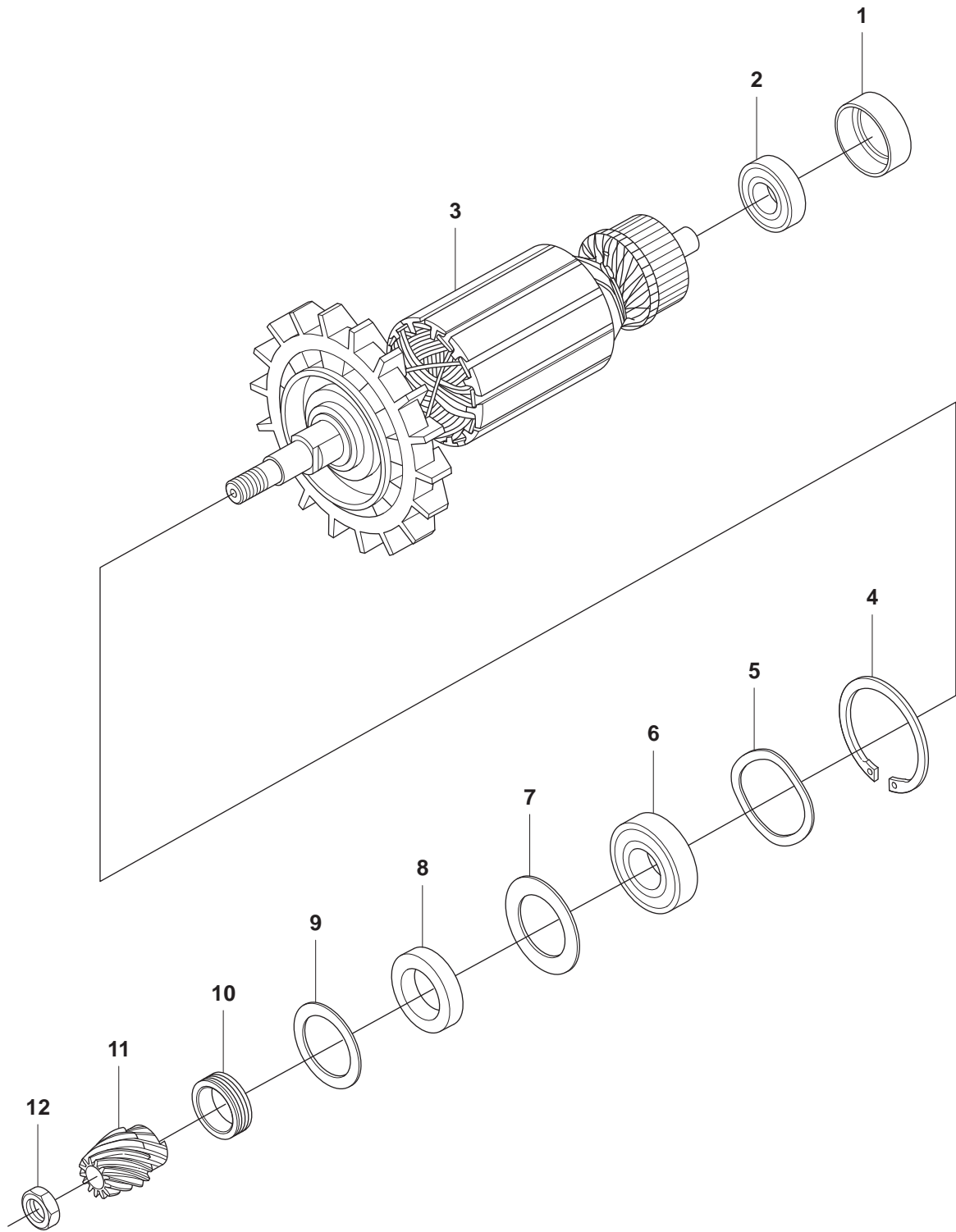
A K3000 12"
K3000 14" WET



Page A
K3000, K3000 Wet

| Pos. | Part No. | Description | Quantity | Notes | New Part |
|------|--------------|-------------------|----------|--------------|----------|
| 1 | 505 44 33-03 | CABLE ASSY | 1 | 230V | New Part |
| 1 | 510 18 13-02 | CABLE ASSY | 1 | 110V JP, USA | New Part |
| 2 | 505 52 02-11 | CABLE CPL | 1 | 230V | |
| 2 | 505 53 03-56 | CABLE CPL | 1 | 110V JP, USA | |
| 2 | 510 18 14-01 | CABLE CPL | 1 | 110V UK | New Part |
| 3 | 531 03 19-02 | SCREW | 3 | | |
| 4 | 735 11 46-50 | WASHER | 1 | | |
| 5 | 505 53 03-11 | SCREW | 1 | | |
| 6 | 544 90 05-01 | CABLE SLEEVE | 1 | 230V | |
| 7 | 531 03 18-85 | SPRING | 1 | | |
| 8 | 544 90 06-01 | LOCKING BUTTON | 1 | | |
| 9 | 724 13 27-55 | SCREW | 1 | | |
| 10 | 503 21 20-01 | SCREW | 2 | | |
| 11 | 531 03 18-87 | CLIP | 1 | | |
| 12 | 531 03 18-81 | ENGINE PROTECTION | 1 | 110V | |
| 12 | 531 03 18-82 | ENGINE PROTECTION | 1 | 230V | |
| 13 | 531 03 18-83 | SWITCH | 1 | | |
| 14 | 544 90 45-01 | HANDLE ASSY | 1 | | |

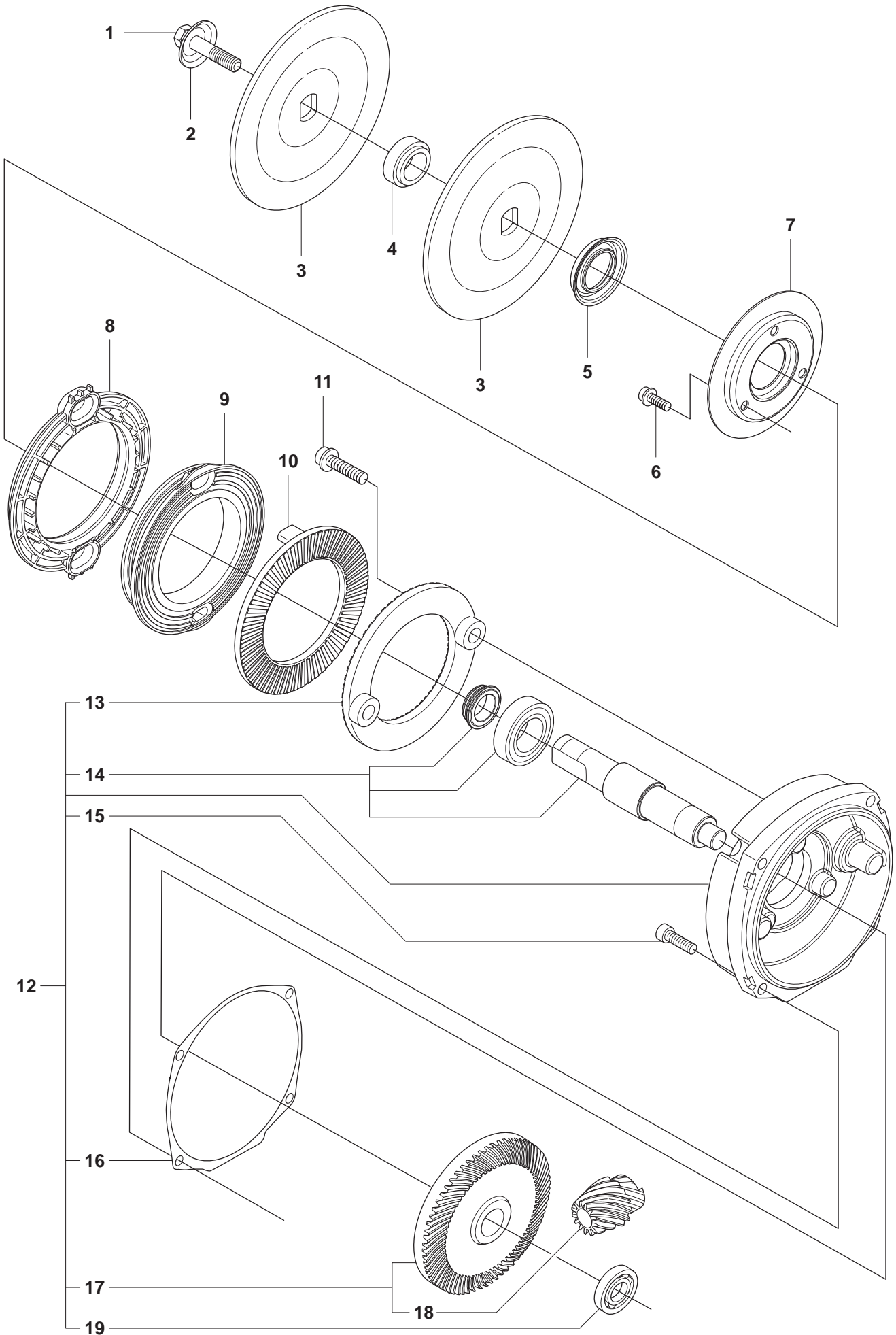
B K3000 12"
K3000 14" WET



Page B**K3000, K3000 Wet**

| Pos. | Part No. | Description | Quantity | Notes | New Part |
|-------------|-----------------|--------------------|-----------------|--------------|-----------------|
| 1 | 505 53 03-14 | RUBBER BUSHING | 1 | | |
| 2 | 503 25 09-01 | BALL BEARING | 1 | | |
| 3 | 506 22 50-10 | ARMATURE | 1 | 100 - 120V | |
| 3 | 506 22 50-20 | ARMATURE | 1 | 230V | |
| 4 | 735 31 33-10 | CIRCLIP | 1 | | |
| 5 | 505 53 03-51 | SPRING WASHER | 1 | | |
| 6 | 738 22 02-27 | BALL BEARING | 1 | | |
| 7 | 505 53 03-16 | SPACER | 1 | | |
| 8 | 505 53 03-41 | FELT JOINT | 1 | | |
| 9 | 505 53 03-52 | SPACER | 1 | | |
| 10 | 505 53 03-19 | SPACER | 1 | | |
| 11 | 506 09 86-02 | PINION | 1 | | |
| 12 | 503 22 10-08 | NUT | 1 | | |

C K3000 12"
K3000 14" WET



Page C**K3000, K3000 Wet**

| Pos. | Part No. | Description | Quantity | Notes | New Part |
|-------------|-----------------|----------------------|-----------------|-------------------|-----------------|
| 1 | 506 13 96-01 | COLLAR SCREW | 1 | | |
| 2 | 506 13 95-11 | WASHER | 1 | | |
| 3 | 506 02 87-01 | FLANGE WASHER | 2 | | |
| 4 | 506 37 96-20 | BUSHING | 1 | Diam 20mm | |
| 4 | 506 37 96-22 | BUSHING | 1 | Diam 22,2mm | |
| 4 | 506 37 96-25 | BUSHING | 1 | Diam 25,4mm | |
| 4 | 506 02 88-30 | BUSHING | 1 | Diam 30,5mm | |
| 5 | 506 32 06-01 | SEALING | 1 | | |
| 6 | 725 53 29-55 | SCREW | 3 | | |
| 7 | 506 26 65-01 | FLANGE | 1 | | |
| 8 | 506 30 42-01 | SPACER | 1 | 12" only | |
| 9 | 506 26 63-02 | LINING | 1 | | |
| 10 | 506 26 64-01 | SCREEN PATTERN FLANG | 1 | | |
| 11 | 503 20 02-12 | SCREW | 2 | | |
| 12 | 544 40 32-01 | GEAR SET | 1 | Incl. 13 - 17, 19 | |
| 13 | 506 28 84-01 | SCREEN PATTERN FLANG | 1 | | |
| 14 | 544 40 33-01 | SHAFT | 1 | | |
| 15 | 531 03 19-01 | SCREW | 4 | | |
| 16 | 505 53 03-10 | GASKET | 2 | | |
| 17 | 531 03 18-75 | GEAR WHEEL | 1 | Incl. 18 | |
| 18 | 506 09 86-02 | PINION | 1 | | |
| 19 | 738 22 00-15 | BALL BEARING | 1 | | |

D K3000 12"
K3000 14" WET

K3000
Wet

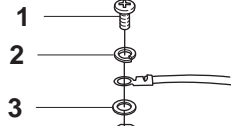
Husqvarna

K3000
ELECTRIC

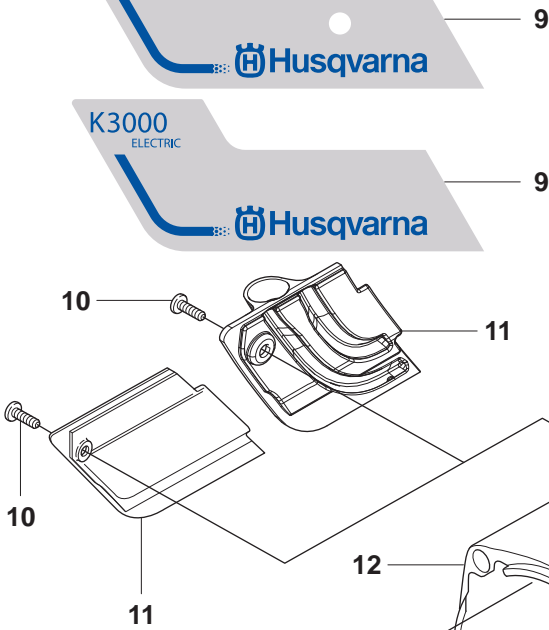
Husqvarna

K3000
ELECTRIC

13



4



10

10

11

12

6

5

8

7

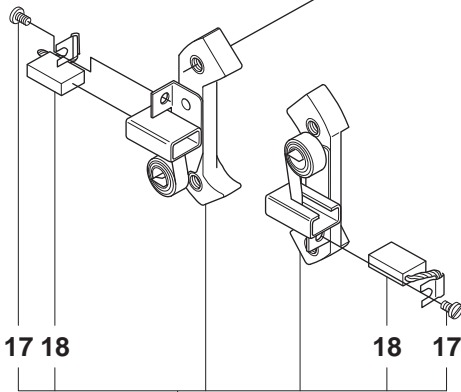
15

14

8

23

10

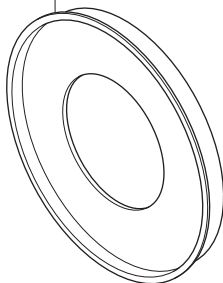


17 18

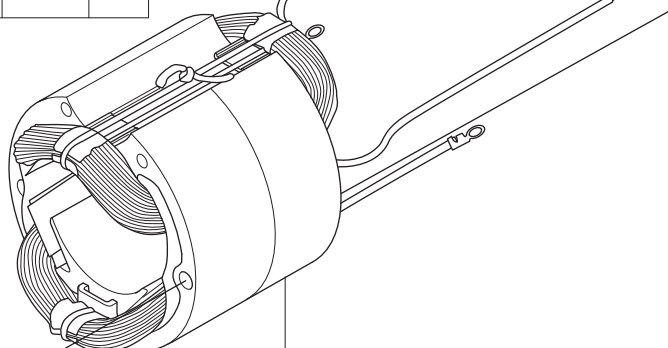
18 17

16

19



20



21

22

⚠ WARNING ⚠
Cutters can be dangerous!
For safe operations follow all safety precautions in operator manual.

- Only persons who have been instructed in the use of this cutter and who are familiar with all safety precautions in the Operator's Manual shall operate this cutter.
- Operator can cut across cables.
- Use only original cutting blades approved for forward cutting and for the maximum speed rating of cutter in accordance with operator manual.
- Use personal protective equipment as outlined in the Operator's Manual. Pay special attention to eye protection and hearing mask.
- Keep all fingers well away from the operating arm.

HUSQVARNA CONSTRUCTION PRODUCTS, SWEDEN

23

御注意

20mm
2.0mm^φ

この器具は 2kW (50Hz), 1.8kW (60Hz) 以上にてご利用ください。
切刃の際はブレイドを押し付け過ぎて、回転数が極端に落ちないように注意して下さい。

HUSQVARNA CONSTRUCTION PRODUCTS, SWEDEN

23

⚠ WARNING ⚠
Cutters can be dangerous!
For safe operations follow all safety precautions in operator manual.

- Only persons who have been instructed in the use of this cutter and who are familiar with all safety precautions in the Operator's Manual shall operate this cutter.
- Operator can cut across cables.
- Use only approved or original cutting equipment approved for forward cutting in this range.
- Use personal protective equipment as outlined in the Operator's Manual. Pay special attention to eye protection and hearing mask.
- Do not repeat machines for rails or wet cutting.

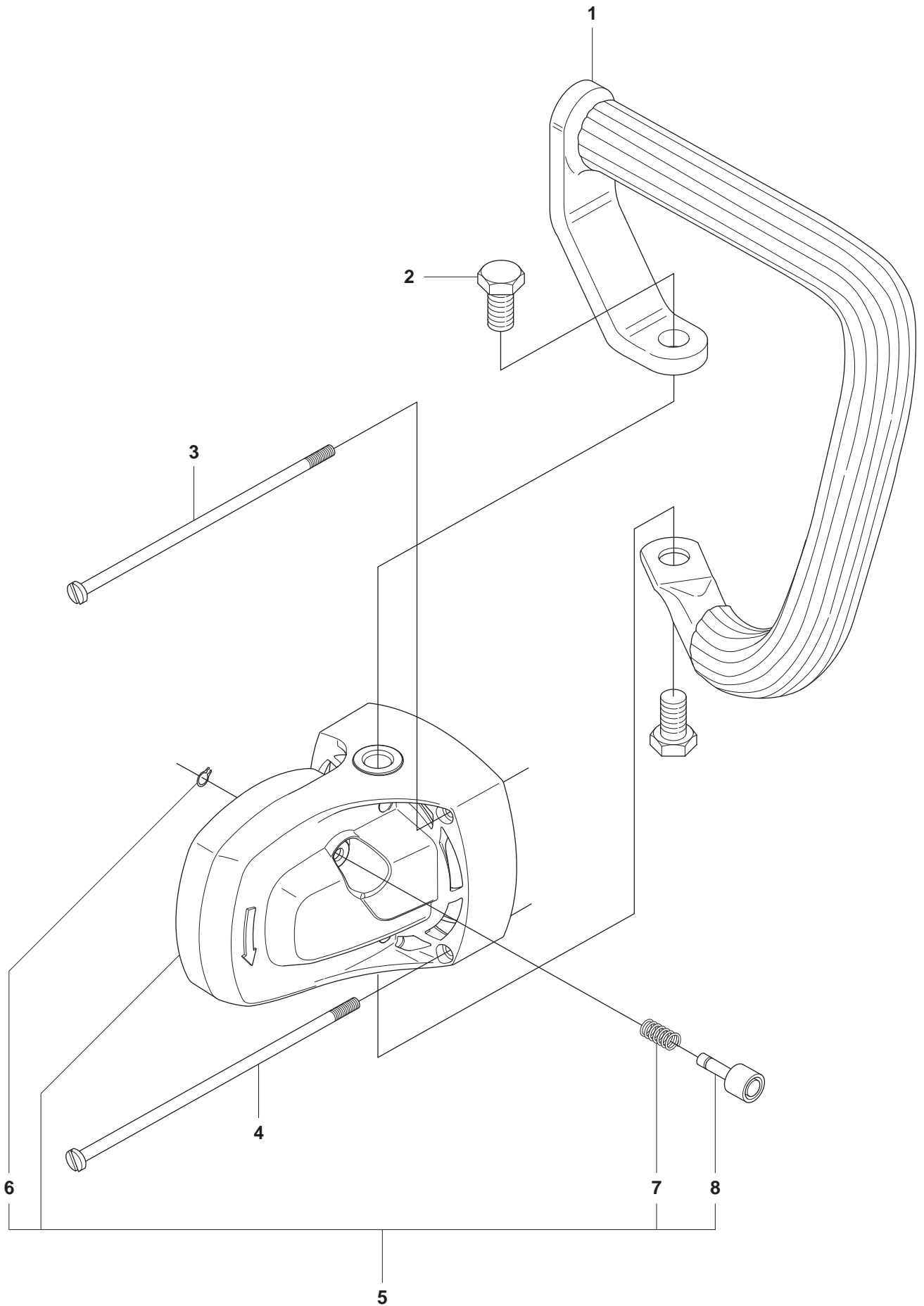
HUSQVARNA CONSTRUCTION PRODUCTS, SWEDEN



Page D**K3000, K3000 Wet**

| Pos. | Part No. | Description | Quantity | Notes | New Part |
|------|--------------|---------------------|----------|--------------|----------|
| 1 | 724 12 87-59 | SCREW | 1 | | |
| 2 | 735 21 36-01 | WASHER | 1 | | |
| 3 | 734 11 36-01 | WASHER | 1 | | |
| 4 | 531 03 18-91 | PIPE | 1 | | |
| 5 | 724 12 91-01 | SCREW | 4 | | |
| 6 | 735 11 36-50 | WASHER | 4 | | |
| 7 | 732 21 14-01 | LOCK NUT | 2 | | |
| 8 | 735 11 46-50 | WASHER | 2 | | |
| 9 | 544 90 33-01 | LABEL | 1 | Electric | |
| 9 | 544 90 33-04 | LABEL | 1 | Wet | |
| 10 | 729 57 76-01 | SCREW | 1 | | |
| 11 | 544 90 02-01 | LID | 1 | | |
| 11 | 505 12 24-01 | LID | 1 | Wet | New Part |
| 12 | 531 03 18-90 | MOTOR HOUSING | 1 | | |
| 13 | 544 90 33-02 | LABEL | 1 | | |
| 14 | 505 53 03-11 | SCREW | 1 | | |
| 15 | 544 89 94-01 | LID | 1 | | |
| 16 | 531 03 18-92 | BRUSH ROCKER | 1 | Incl. 17, 18 | |
| 17 | 506 22 58-02 | CARBON BRUSH | 2 | | |
| 18 | 723 22 85-81 | SCREW | 2 | | |
| 19 | 505 53 03-07 | AIR STREAM DIRECTOR | 1 | | |
| 20 | 506 22 53-01 | SCREW | 2 | | |
| 21 | 506 22 51-10 | FIELD COIL | 1 | 100 - 120V | |
| 21 | 506 22 51-20 | FIELD COIL | 1 | 230V | |
| 22 | 544 98 40-01 | LABEL WARNING | 1 | | |
| 23 | 506 38 44-15 | LABEL | 1 | JP | |
| 23 | 506 38 43-14 | LABEL | 1 | USA | |
| 23 | 506 38 43-24 | LABEL | 1 | USA Wet | |

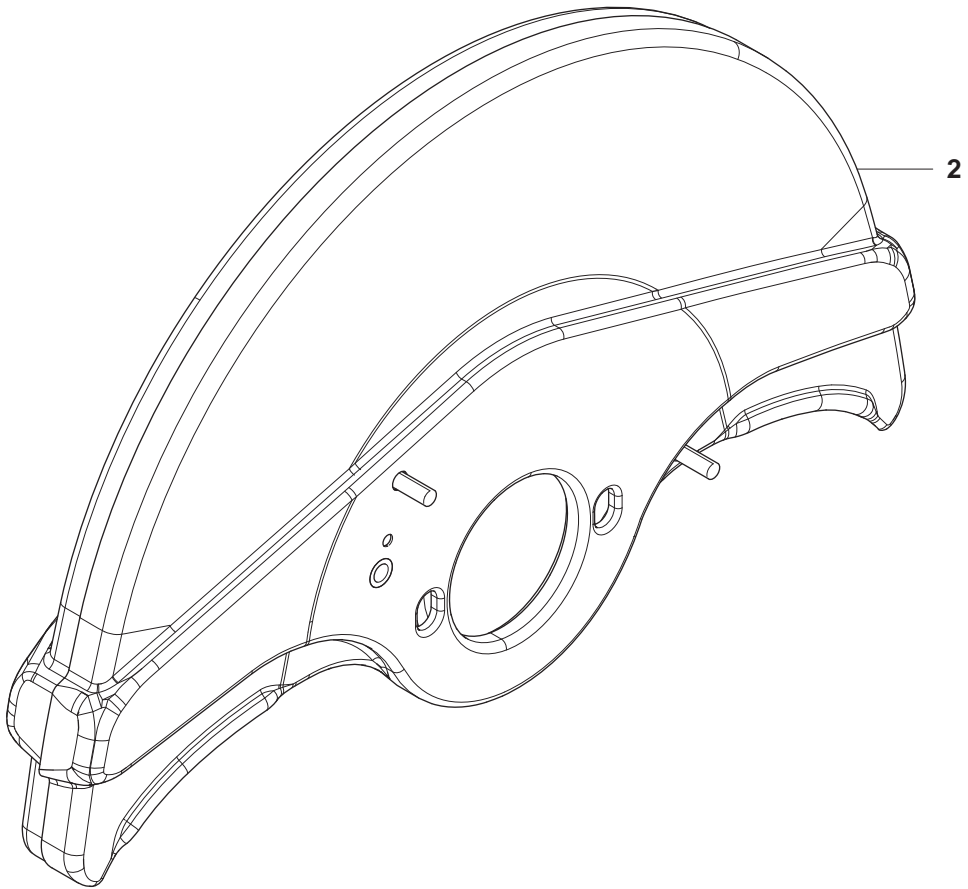
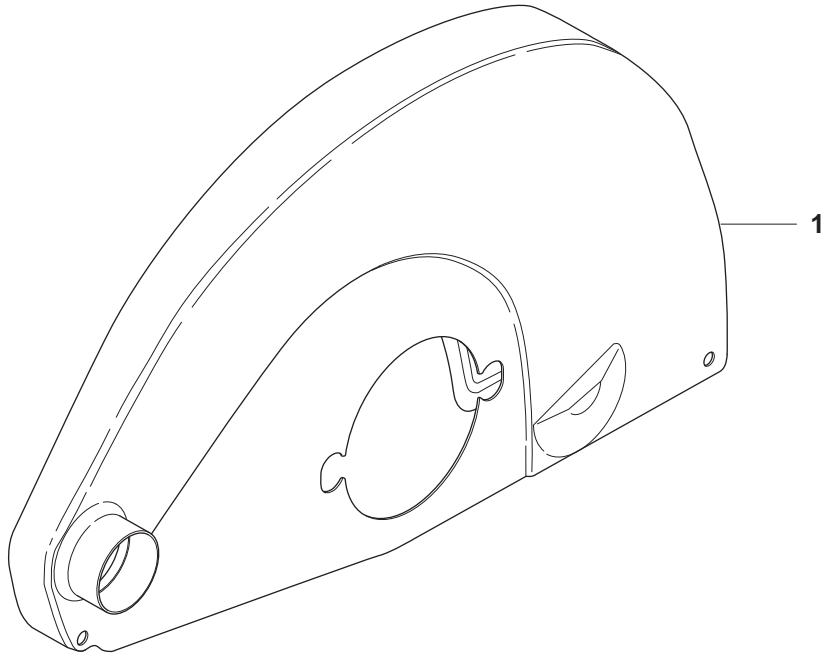
E K3000 12"
K3000 14" WET



Page E
K3000, K3000 Wet

| Pos. | Part No. | Description | Quantity | Notes | New Part |
|-------------|-----------------|--------------------|-----------------|--------------|-----------------|
| 1 | 506 15 03-03 | HANDLE | 1 | | |
| 2 | 531 03 12-76 | SCREW | 2 | | |
| 3 | 505 53 03-11 | SCREW | 1 | | |
| 4 | 531 03 18-94 | SCREW | 1 | | |
| 5 | 544 40 34-01 | GEAR HOUSING | 1 | Incl. 6 - 8 | |
| 6 | 735 31 08-00 | CIRCLIP | 1 | | |
| 7 | 531 03 18-23 | SPRING | 1 | | |
| 8 | 544 90 47-01 | SHAFT | 1 | | |

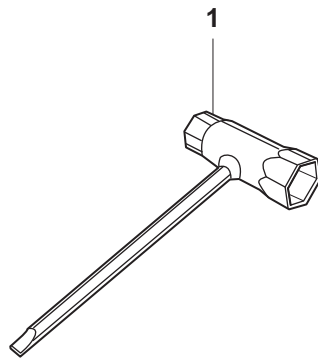
F K3000 12"
K3000 14" WET



Page F
K3000, K3000 Wet

| Pos. | Part No. | Description | Quantity | Notes | New Part |
|-------------|-----------------|--------------------|-----------------|--------------|-----------------|
| 1 | 506 15 00-02 | WHEEL GUARD | 1 | 12" | |
| 2 | 505 41 30-01 | WHEEL GUARD | 1 | 14" Wet | |

G K3000 12"
K3000 14" WET



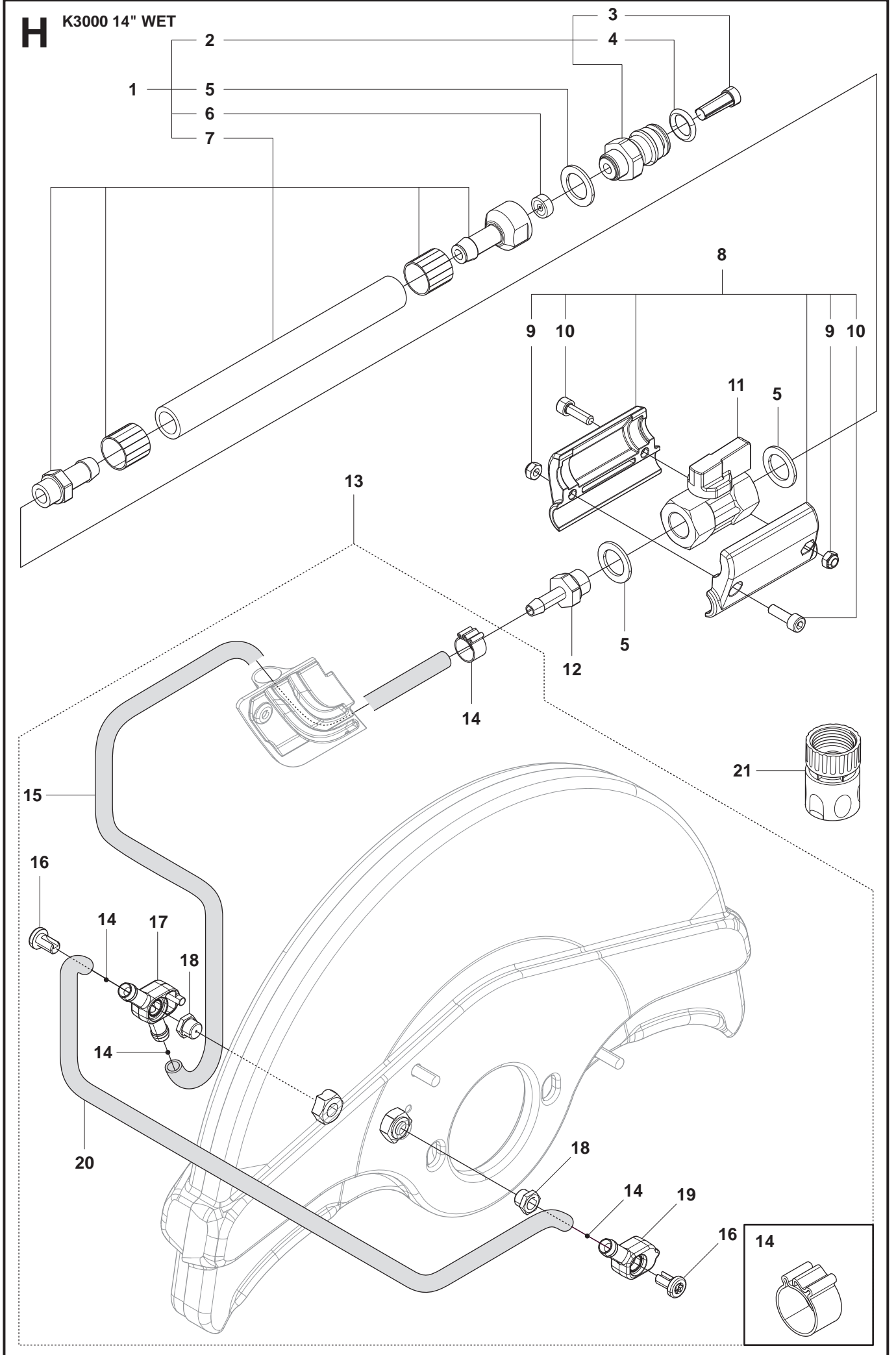
Page G

K3000, K3000 Wet

| Pos. | Part No. | Description | Quantity | Notes | New Part |
|-------------|-----------------|--------------------|-----------------|--------------|-----------------|
| 1 | 501 69 17-02 | COMBINATION TOOL | 1 | | |

H

K3000 14" WET



Page H
K3000, K3000 Wet

| Pos. | Part No. | Description | Quantity | Notes | New Part |
|------|--------------|--------------|----------|----------------|----------|
| 1 | 502 30 44-04 | HOSE ASSY | 1 | Incl. 2, 5 - 7 | New Part |
| 2 | 510 11 20-01 | NIPPLE | 1 | Incl. 3, 4 | New Part |
| 3 | 506 29 88-01 | FILTER | 1 | | |
| 4 | 505 10 35-01 | O-RING | 1 | | |
| 5 | 531 07 42-60 | FIBRE WASHER | 3 | | |
| 6 | 506 48 61-01 | FLOW CONTROL | 1 | | |
| 7 | 510 11 39-01 | HOSE ASSY | 1 | | |
| 8 | 510 20 51-01 | BRACKET ASSY | 1 | Incl. 9 - 10 | New Part |
| 9 | 732 21 14-01 | LOCK NUT | 2 | | New Part |
| 10 | 725 53 29-55 | SCREW | 2 | | New Part |
| 11 | 502 61 70-01 | VALVE | 1 | | |
| 12 | 505 35 32-01 | NIPPLE | 1 | | |
| 13 | 505 09 54-02 | HOSE KIT | 1 | Incl. 14 - 20 | New Part |
| 14 | 506 49 87-01 | HOSE CLAMP | 4 | | New Part |
| 15 | 506 60 68-08 | HOSE | 1 | 720 mm | |
| 16 | 504 63 46-01 | SCREW | 2 | | |
| 17 | 505 11 55-01 | HOUSING | 1 | | |
| 18 | 504 63 42-01 | NIPPLE | 2 | | |
| 19 | 504 63 45-01 | HOUSING | 1 | | |
| 20 | 506 60 68-07 | HOSE | 1 | 300 mm | |
| 21 | 503 26 60-03 | COUPLER | 1 | USA | New Part |
| 21 | 503 26 60-04 | COUPLER | 1 | | New Part |