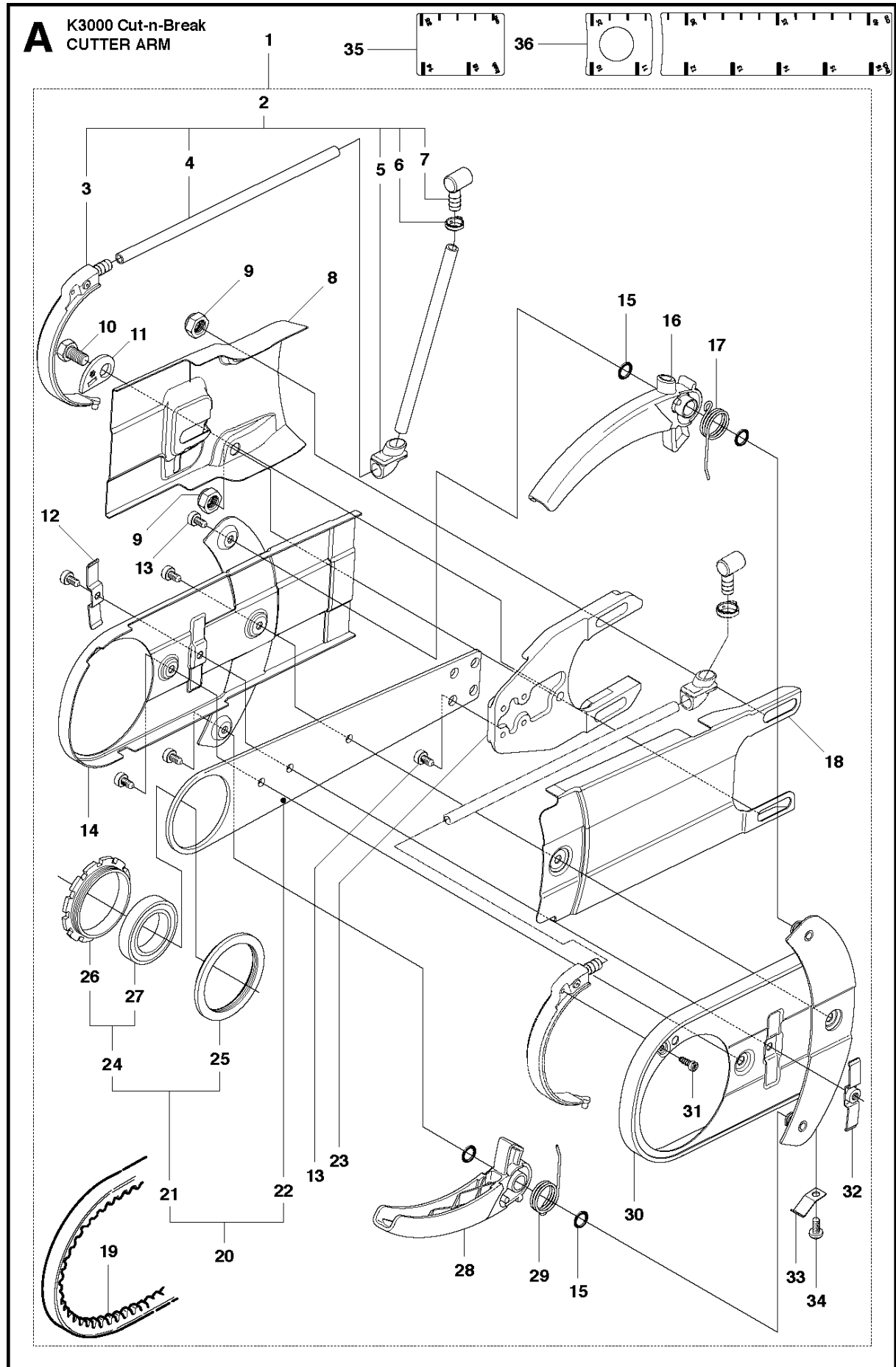




# SPARE PARTS LIST

## POWER CUTTERS

K3000 Cut-n-Break, 2013-06

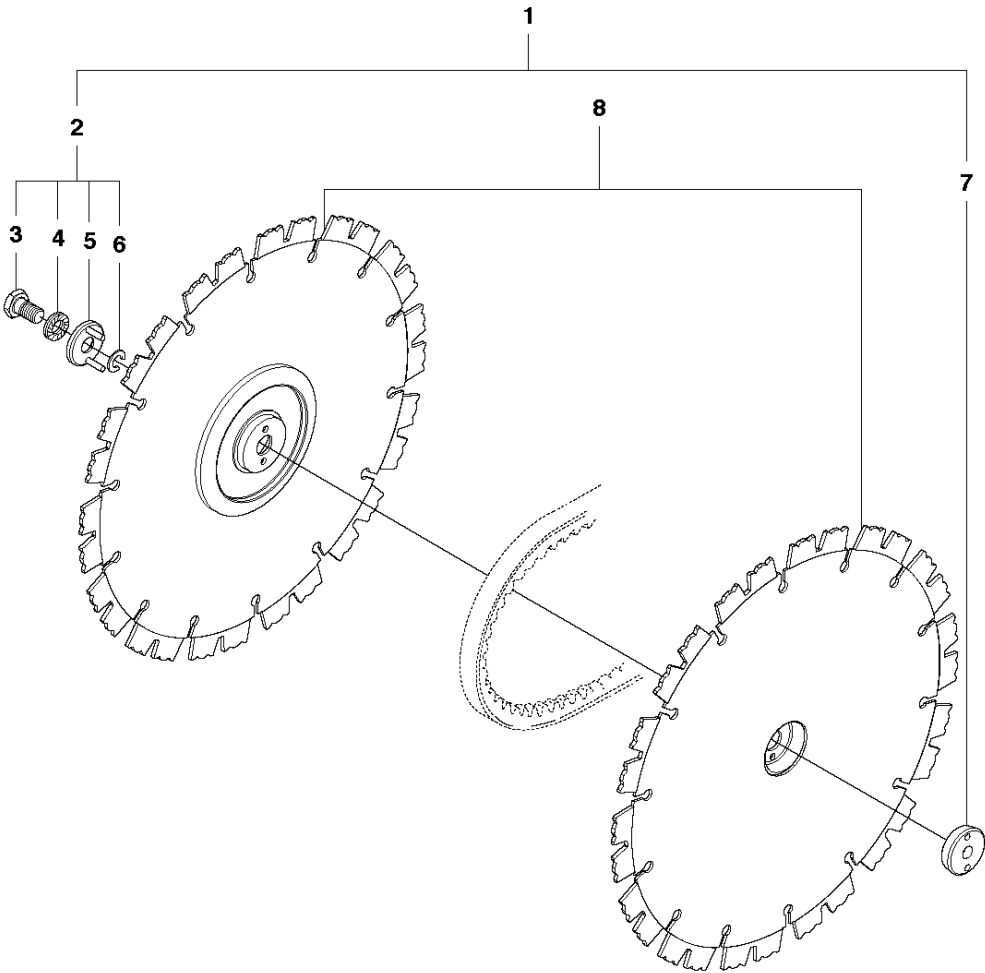


## CUTTER ARM

K3000 Cut-n-Break, 2013-06

| Ref | Part No      | Description        | Remark        | QTY KIT |
|-----|--------------|--------------------|---------------|---------|
| 1   | 504 61 31-02 | CUTTER ARM         | Incl. 2 - 34  | 1       |
| 2   | 544 10 50-05 | HOSE               | Incl. 3 - 7   | 1       |
| 3   | 504 87 52-01 | SEALING            |               | 1       |
| 4   | 544 04 17-02 | HOSE               |               | 1       |
| 5   | 506 40 57-02 | GROMMET            |               | 1       |
| 6   | 506 09 56-05 | HOSE CLAMP         |               | 1       |
| 7   | 506 40 98-02 | NIPPLE             |               | 1       |
| 8   | 544 95 24-01 | BELT GUARD         |               | 1       |
| 9   | 731 23 18-01 | HEXAGON NUT        |               | 2       |
| 10  | 725 24 45-71 | SCREW EHHM         |               | 1       |
| 11  | 544 42 98-01 | ECCENTRIC          |               | 1       |
| 12  | 506 40 56-01 | DEFLECTION LIMITER |               | 1       |
| 13  | 503 21 53-10 | SCREW ITXSCM       |               | 9       |
| 14  | 544 42 15-01 | BELT GUARD ASSY    |               | 1       |
| 15  | 503 26 30-08 | O-RING             |               | 4       |
| 16  | 506 40 64-03 | BLADE GUARD        |               | 1       |
| 17  | 506 40 61-01 | SPRING             |               | 1       |
| 18  | 544 42 14-01 | BELT GUARD ASSY    |               | 1       |
| 19  | 506 37 27-20 | BELT               |               | 1       |
| 20  | 577 34 17-01 | BAR                | Incl. 21 - 22 | 1       |
| 21  | 504 14 25-01 | KIT                | Incl. 24 - 25 | 1       |
| 22  | 574 44 75-01 | BAR PLATE          |               | 1       |
| 23  | 522 47 27-01 | BAR BRACKET        |               | 1       |
| 24  | 544 10 57-03 | BEARING CAGE       | Incl. 26 - 27 | 1       |
| 25  | 506 40 29-02 | BUSHING            |               | 1       |
| 26  | 506 40 28-02 | BEARING CAGE       |               | 1       |
| 27  | 544 10 59-01 | BEARING            |               | 1       |
| 28  | 506 40 65-02 | BLADE GUARD        |               | 1       |
| 29  | 506 40 61-02 | SPRING             |               | 1       |
| 30  | 506 40 46-02 | WEAR PROTECTION    |               | 1       |
| 31  | 503 21 28-10 | SCREW CCRPANT      |               | 1       |
| 32  | 506 40 56-02 | DEFLECTION LIMITER |               | 1       |
| 33  | 506 40 51-01 | STOP               |               | 1       |
| 34  | 724 12 84-01 | SCREW CRPANM       |               | 1       |
| 35  | 544 37 44-02 | LABEL              |               | 1       |
| 36  | 505 47 37-01 | LABEL              |               | 1       |

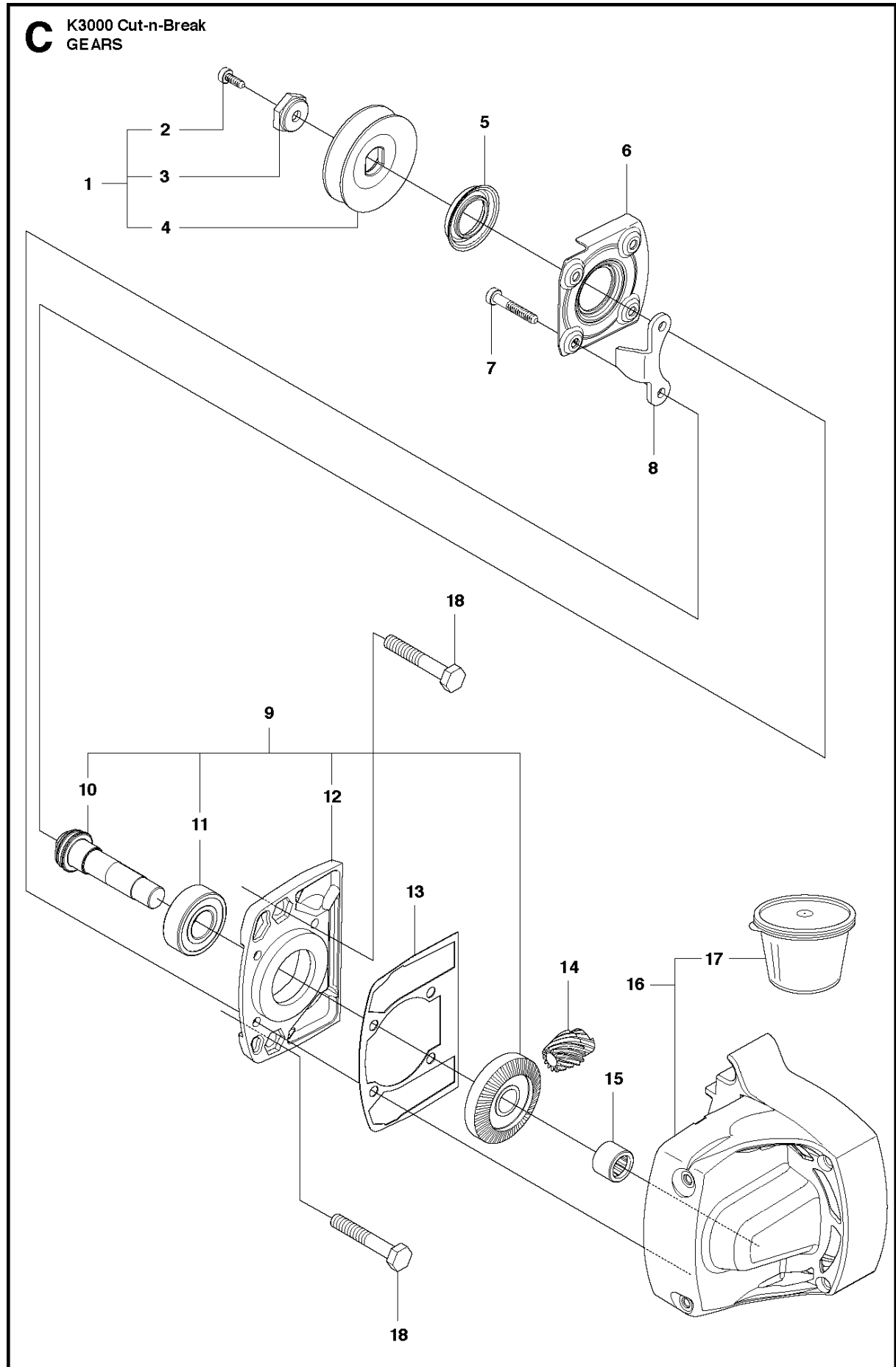
**B** K3000 Cut-n-Break  
CUTTING BLADE



## CUTTING BLADE

K3000 Cut-n-Break, 2013-06

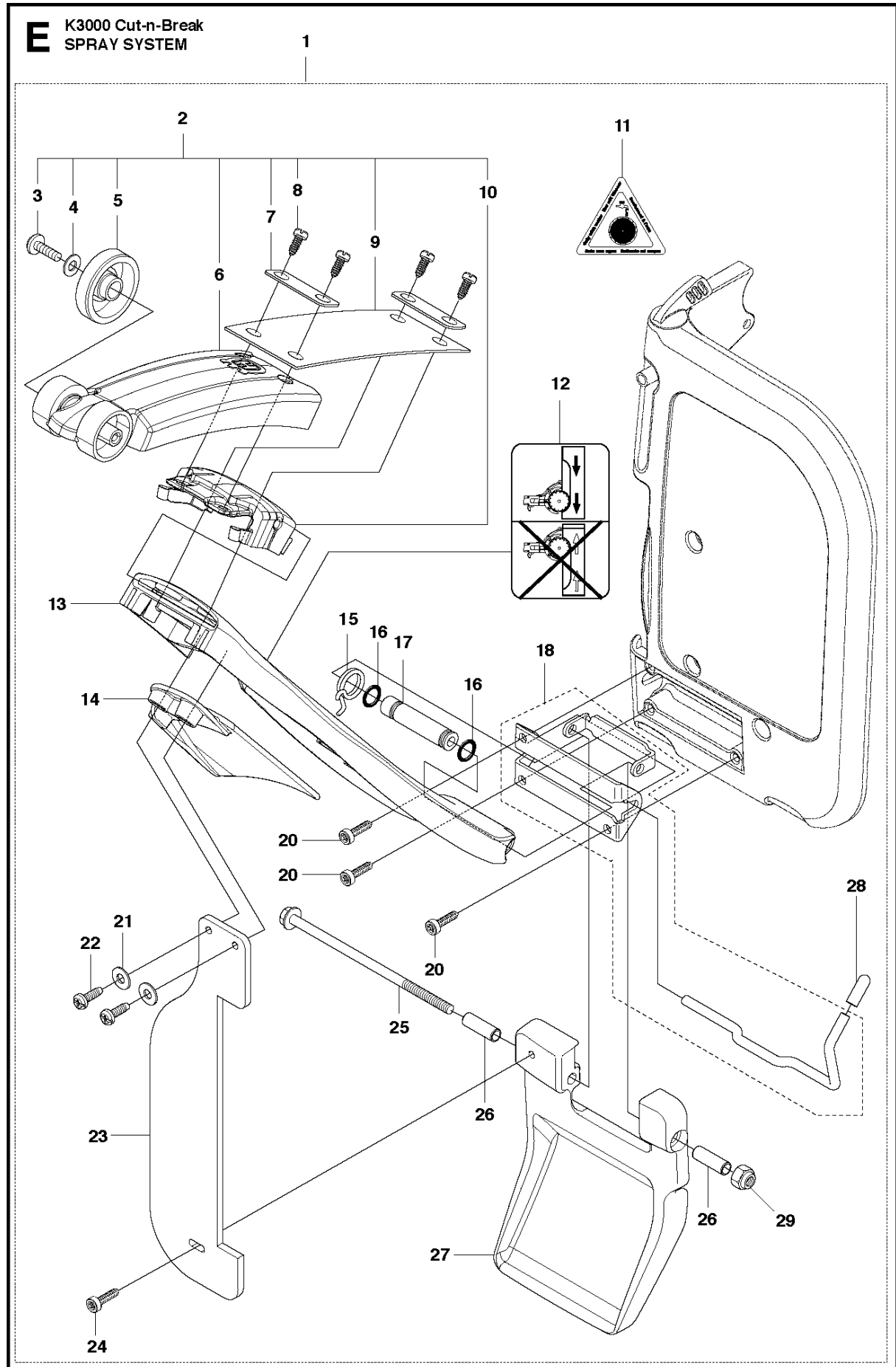
| Ref | Part No      | Description   | Remark     | QTY KIT |
|-----|--------------|---------------|------------|---------|
| 1   | 501 00 88-02 | SCREW KIT     | Incl. 2, 7 | 1       |
| 2   | 501 00 88-01 | SCREW KIT     |            | 1       |
| 3   | 506 40 25-02 | SCREW         |            | 1       |
| 4   | 503 23 04-03 | WASHER        |            | 1       |
| 5   | 544 26 53-01 | WASHER        |            | 1       |
| 6   | 735 31 10-41 | RETAINER RING |            | 1       |
| 7   | 506 40 24-01 | CENTRE NUT    |            | 1       |
| 8   | 574 83 62-02 | DIAMOND BLADE | EL35CNB    | 1       |
| 8   | 574 83 62-02 | DIAMOND BLADE | EL35CNB    | 1       |
| 8   | 574 83 62-03 | DIAMOND BLADE | EL70CnB    | 1       |
| 8   | 574 83 62-01 | DIAMOND BLADE | EL10CnB    | 1       |



## GEARS

K3000 Cut-n-Break, 2013-06

| Ref | Part No      | Description         | Remark        | QTY KIT |
|-----|--------------|---------------------|---------------|---------|
| 1   | 505 40 29-01 | DRIVING PULLEY ASSY | Incl. 2 - 4   | 1       |
| 2   | 544 21 84-20 | SCREW ITXSCM        |               | 1       |
| 3   | 504 03 83-01 | SPACING SLEEVE      |               | 1       |
| 4   | 544 43 39-01 | DRIVING PULLEY      |               | 1       |
| 5   | 506 32 06-01 | SEALING             |               | 1       |
| 6   | 544 43 41-01 | FLANGE              |               | 1       |
| 7   | 503 21 53-25 | SCREW ITXSCM        |               | 4       |
| 8   | 544 43 37-01 | BRACKET             |               | 1       |
| 9   | 544 42 66-01 | GEAR SET            | Incl. 10 - 12 | 1       |
| 10  | 544 42 64-01 | GEAR WHEEL SHAFT    |               | 1       |
| 11  | 583 95 33-01 | BALL BEARING        |               | 1       |
| 12  | 544 42 65-01 | GEAR CASE COVER     |               | 1       |
| 13  | 504 11 03-03 | GASKET              |               | 1       |
| 14  | 505 45 41-01 | PISTON              |               | 1       |
| 15  | 503 25 53-01 | NEEDLE BEARING      |               | 1       |
| 16  | 574 21 43-02 | GEAR HOUSING        | Incl. 17      | 1       |
| 17  | 574 20 30-01 | GREASE              |               | 1       |
| 18  | 725 24 53-71 | SCREW EHHM          |               | 2       |



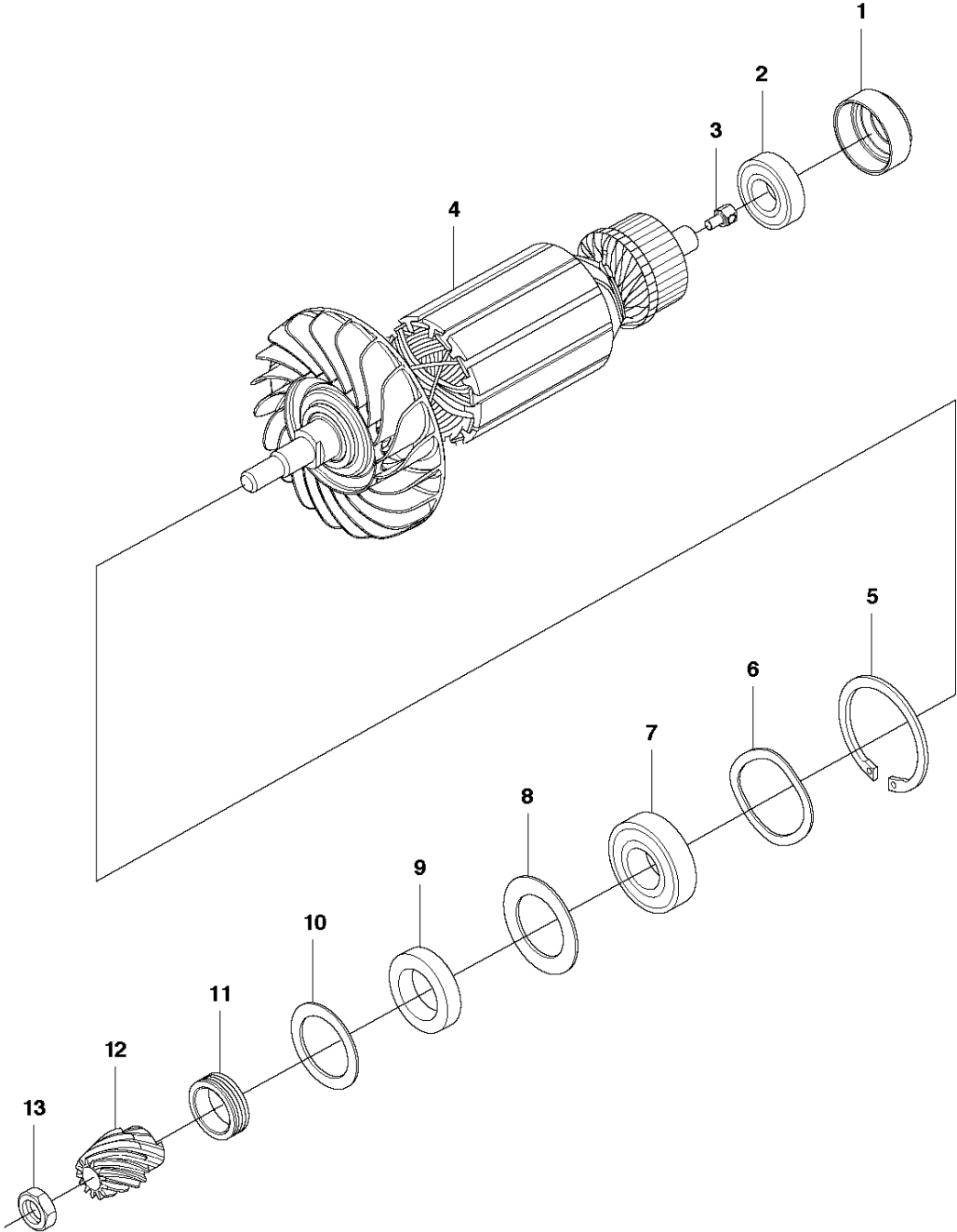


## SPRAY SYSTEM

K3000 Cut-n-Break, 2013-06

| Ref | Part No      | Description   | Remark           | QTY KIT |
|-----|--------------|---------------|------------------|---------|
| 1   | 504 61 29-02 | SPRAY GUARD   | Incl. 2, 11 - 28 | 1       |
| 2   | 510 05 66-01 | SPRAY GUARD   | Incl. 3 - 10     | 1       |
| 3   | 503 21 46-01 | SCREW         |                  | 2       |
| 4   | 734 48 80-01 | WASHER        |                  | 2       |
| 5   | 506 26 22-02 | WHEEL         |                  | 2       |
| 6   | 510 00 72-01 | SPRAY GUARD   |                  | 1       |
| 7   | 510 20 20-01 | WASHER        |                  | 2       |
| 8   | 503 21 27-16 | SCREW CRPANT  |                  | 4       |
| 9   | 510 20 24-01 | BAND          |                  | 1       |
| 10  | 510 00 73-01 | GUIDE         |                  | 1       |
| 11  | 504 79 36-01 | LABEL         |                  | 1       |
| 12  | 522 03 81-01 | DECAL         |                  | 1       |
| 13  | 544 97 60-02 | SPRAY GUARD   |                  | 1       |
| 14  | 504 04 94-01 | SPRAY GUARD   |                  | 1       |
| 15  | 506 40 60-01 | SPRING        |                  | 1       |
| 16  | 740 42 05-00 | O-RING        |                  | 2       |
| 17  | 506 40 37-01 | BUSHING       |                  | 1       |
| 18  | 587 29 30-01 | RETAINER      |                  | 1       |
| 20  | 504 90 94-14 | SCREW ITXSCT  |                  | 3       |
| 21  | 503 23 00-11 | WASHER        |                  | 2       |
| 22  | 503 21 27-13 | SCREW CCRPANT |                  | 2       |
| 23  | 525 83 37-01 | SPRAY GUARD   |                  | 1       |
| 24  | 510 26 92-16 | SCREW ITXSCT  |                  | 1       |
| 25  | 503 21 53-96 | SCREW ITXSCM  |                  | 1       |
| 26  | 522 55 85-01 | GUIDE BUSHING |                  | 2       |
| 27  | 505 14 86-01 | FENDER        |                  | 1       |
| 28  | 505 38 88-01 | COVER LID     |                  | 1       |
| 29  | 503 22 24-01 | LOCK NUT      |                  | 1       |

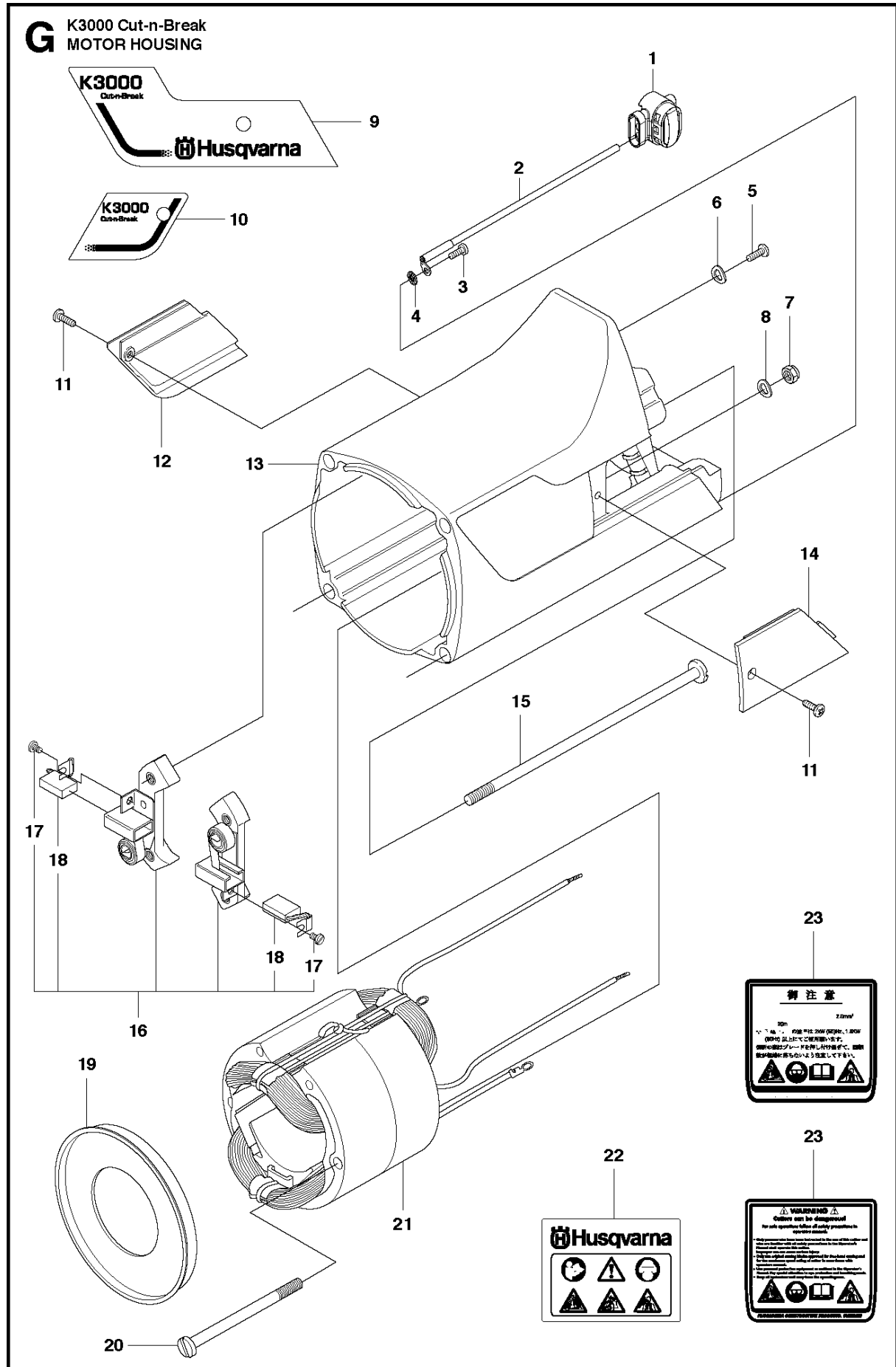
**F** K3000 Cut-n-Break  
MOTOR



## MOTOR

K3000 Cut-n-Break, 2013-06

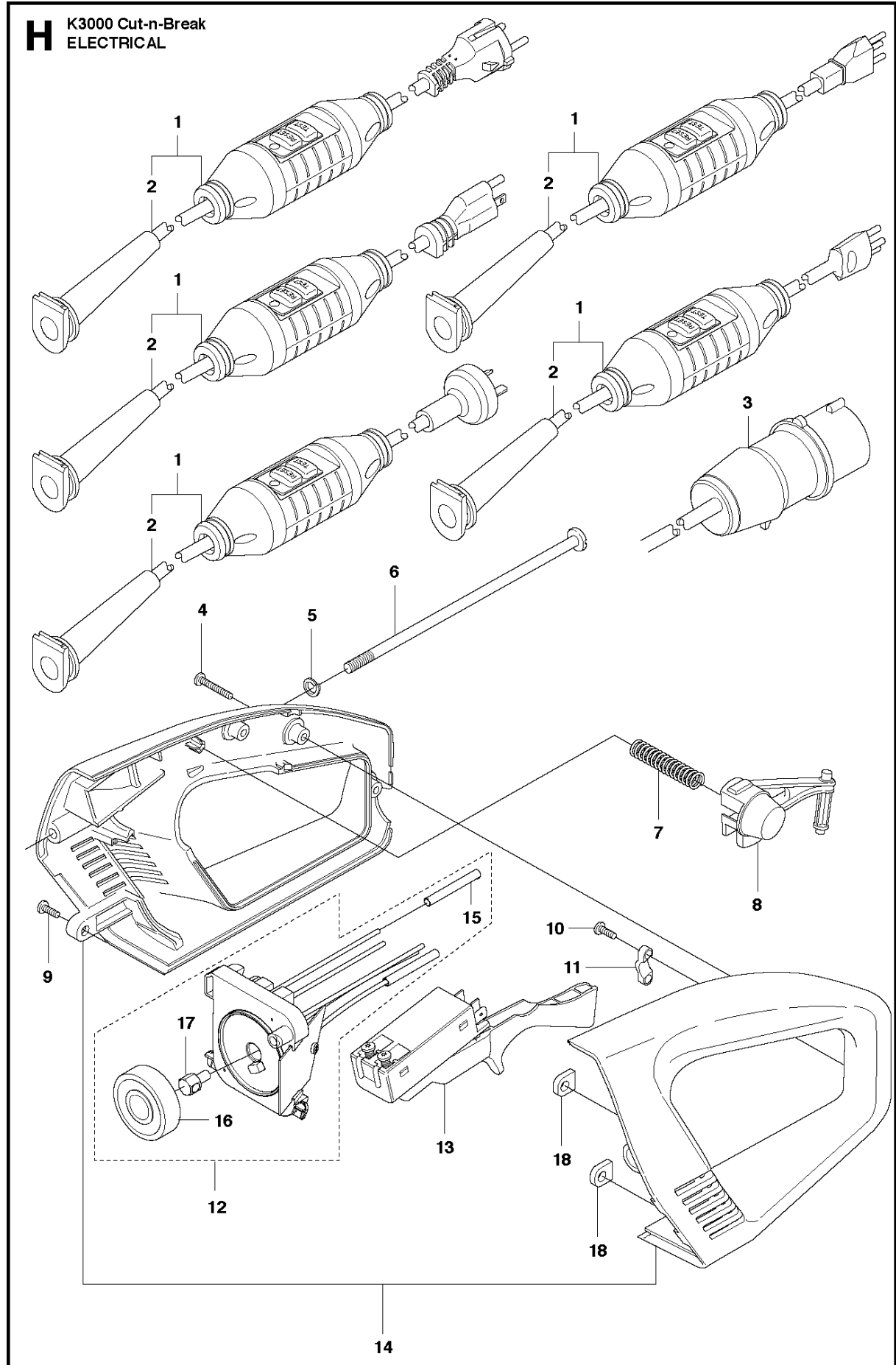
| Ref | Part No      | Description    | Remark     | QTY KIT |
|-----|--------------|----------------|------------|---------|
| 1   | 577 06 66-01 | RUBBER BUSHING |            | 1       |
| 2   | 503 25 09-01 | BEARING        |            | 1       |
| 3   | 579 25 62-01 | SCREW          |            | 1       |
| 4   | 575 98 92-01 | ROTOR          | 100 - 120V | 1       |
| 4   | 575 98 93-01 | ROTOR          | 230V       | 1       |
| 5   | 735 31 33-10 | CIRCLIP        |            | 1       |
| 6   | 505 53 03-51 | SPRING WASHER  |            | 1       |
| 7   | 583 95 33-01 | BALL BEARING   |            | 1       |
| 8   | 505 53 03-16 | SPACER         |            | 1       |
| 9   | 505 53 03-41 | FELT           |            | 1       |
| 10  | 505 53 03-52 | SPACER         |            | 1       |
| 11  | 505 53 03-19 | SPACER         |            | 1       |
| 12  | 506 09 86-02 | PISTON         |            | 1       |
| 13  | 523 12 24-02 | NUT            |            | 1       |



## MOTOR HOUSING

K3000 Cut-n-Break, 2013-06

| Ref | Part No      | Description         | Remark       | QTY KIT |
|-----|--------------|---------------------|--------------|---------|
| 1   | 501 98 02-01 | COUPLER             |              | 1       |
| 2   | 577 38 40-01 | CABLE ASSY          |              | 1       |
| 3   | 724 12 22-01 | SCREW CRPANM        |              | 1       |
| 4   | 735 21 24-01 | LOCK WASHER         |              | 1       |
| 5   | 724 12 91-01 | SCREW CRPANM        |              | 3       |
| 5   | 724 12 97-01 | SCREW CRPANM        |              | 1       |
| 6   | 735 11 36-50 | SPRING WASHER       |              | 4       |
| 7   | 732 21 14-01 | LOCK NUT            |              | 2       |
| 8   | 735 11 46-50 | SPRING WASHER       |              | 2       |
| 9   | 544 90 33-03 | LABEL               |              | 1       |
| 10  | 544 90 33-04 | LABEL               |              | 1       |
| 11  | 729 57 76-01 | SCREW CCRPANT       |              | 1       |
| 12  | 544 90 02-01 | LID                 |              | 1       |
| 13  | 544 89 87-01 | MOTOR HOUSING       |              | 1       |
| 14  | 544 89 94-01 | LID                 |              | 1       |
| 15  | 505 53 03-11 | SCREW               |              | 1       |
| 16  | 531 03 18-92 | BRUSH HOLDER        | Incl. 17, 18 | 1       |
| 17  | 723 22 85-81 | SCREW SLPANM        |              | 2       |
| 18  | 506 22 58-02 | CARBON BRUSH        |              | 2       |
| 19  | 505 53 03-07 | AIR STREAM DIRECTOR |              | 1       |
| 20  | 506 22 53-01 | SCREW               |              | 2       |
| 21  | 506 22 51-10 | STATOR ASSY         | 100 - 120V   | 1       |
| 21  | 506 22 51-20 | STATOR ASSY         | 230V         | 1       |
| 22  | 544 98 40-01 | LABEL               |              | 1       |
| 23  | 506 38 44-15 | LABEL               | JP           | 1       |
| 23  | 506 38 43-14 | LABEL               | USA          | 1       |

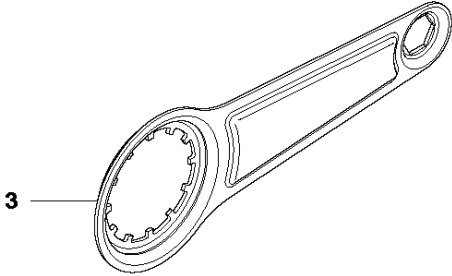
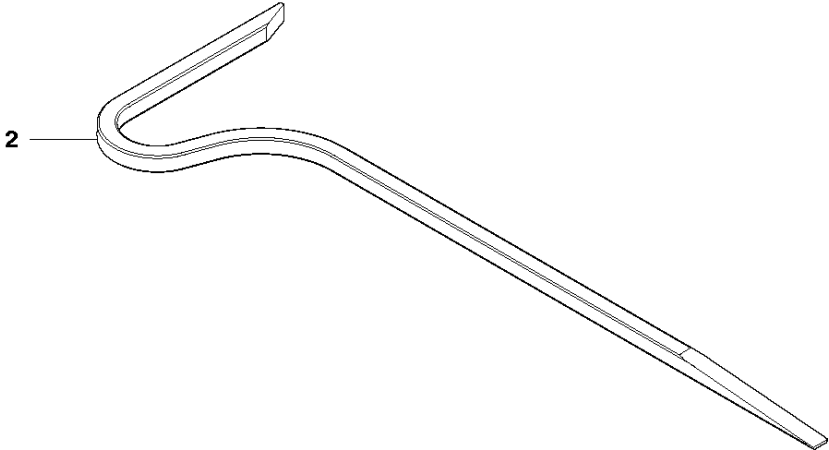
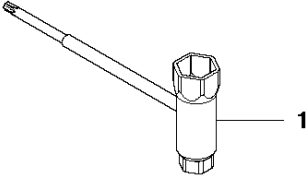


## ELECTRICAL

K3000 Cut-n-Break, 2013-06

| Ref | Part No      | Description    | Remark           | QTY | KIT |
|-----|--------------|----------------|------------------|-----|-----|
| 1   | 505 44 33-03 | CABLE          | 230V             | 1   |     |
| 1   | 510 18 13-02 | CABLE          | 110V JP, USA     | 1   |     |
| 1   | 521 90 72-03 | CABLE          | 230V AU          | 1   |     |
| 1   | 585 39 36-08 | CABLE          | 230V BR, incl. 2 | 1   |     |
| 1   | 521 90 74-03 | CABLE          | 230V, CH         | 1   |     |
| 2   | 577 41 18-01 | CABLE SLEEVE   | 230V             | 1   |     |
| 3   | 510 18 14-01 | CABLE          | 110V UK          | 1   |     |
| 4   | 531 03 19-02 | SCREW          |                  | 3   |     |
| 5   | 735 11 46-50 | SPRING WASHER  |                  | 1   |     |
| 6   | 505 53 03-11 | SCREW          |                  | 1   |     |
| 7   | 531 03 18-85 | SPRING         |                  | 1   |     |
| 8   | 544 90 06-01 | LOCKING BUTTON |                  | 1   |     |
| 9   | 724 13 27-55 | SCREW CRPANM   |                  | 1   |     |
| 10  | 503 21 20-01 | SCREW          |                  | 2   |     |
| 11  | 531 03 18-87 | CLIP           |                  | 1   |     |
| 12  | 587 03 22-01 | KIT            | 110V             | 1   |     |
| 12  | 587 03 22-02 | KIT            | 230V             | 1   |     |
| 13  | 531 03 18-83 | SWITCH         |                  | 1   |     |
| 14  | 544 90 45-01 | HANDLE ASSY    |                  | 1   |     |
| 15  | 578 03 26-01 | SLEEVE         |                  | 1   | 12  |
| 16  | 577 06 66-01 | RUBBER BUSHING |                  | 1   | 12  |
| 17  | 579 25 62-01 | SCREW          |                  | 1   | 12  |
| 18  | 577 52 52-01 | NUT            |                  | 2   |     |

**J** K3000 Cut-n-Break  
TOOLS





TOOLS

K3000 Cut-n-Break, 2013-06

| Ref | Part No      | Description | Remark | QTY KIT |
|-----|--------------|-------------|--------|---------|
| 1   | 506 38 26-01 | TOOL        |        | 2       |
| 2   | 544 17 80-03 | TOOL        |        | 1       |
| 3   | 544 17 81-01 | PULLER      |        | 1       |