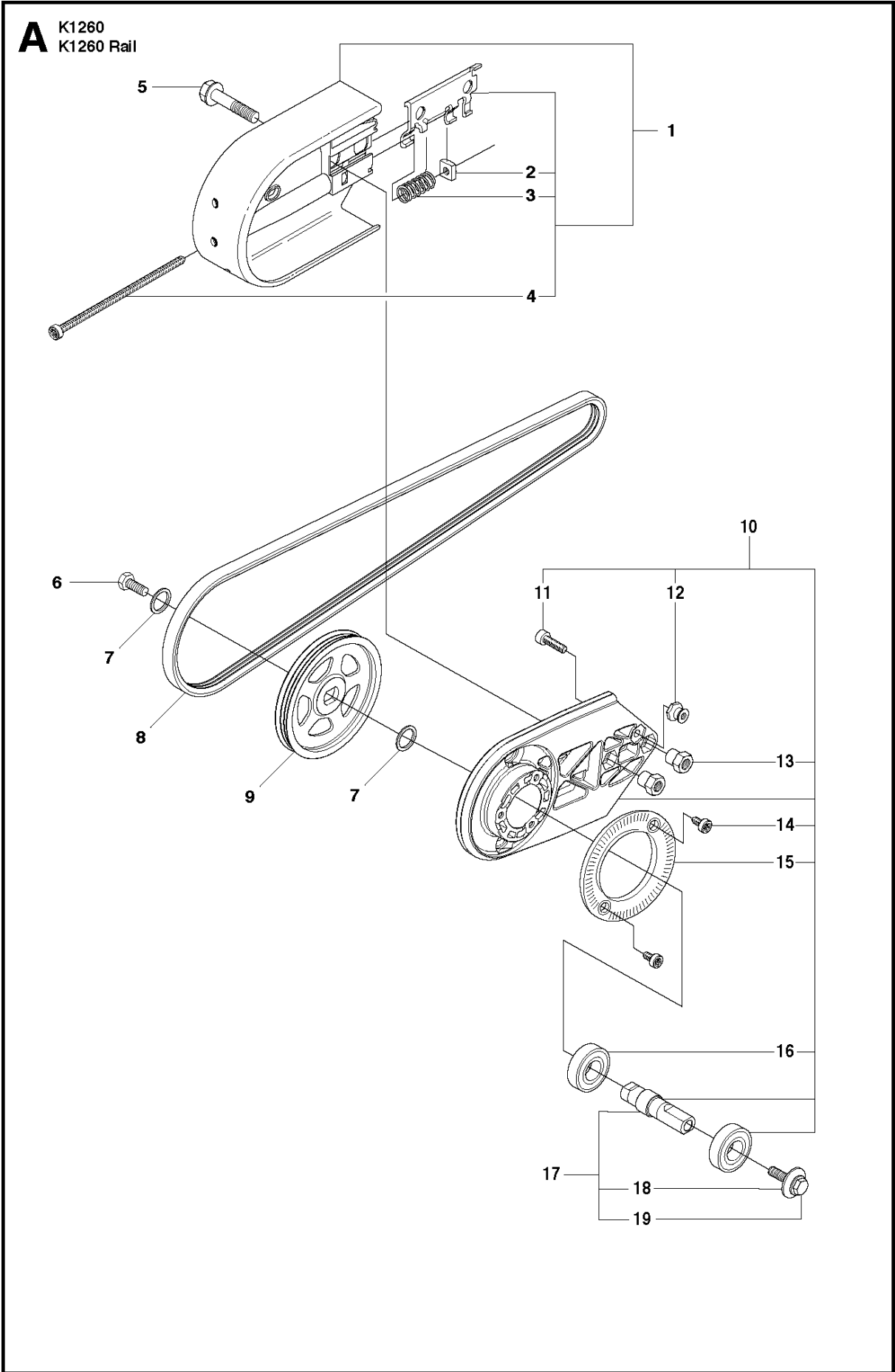




# SPARE PARTS LIST

POWER CUTTERS

K1260 Rail, 2010-10

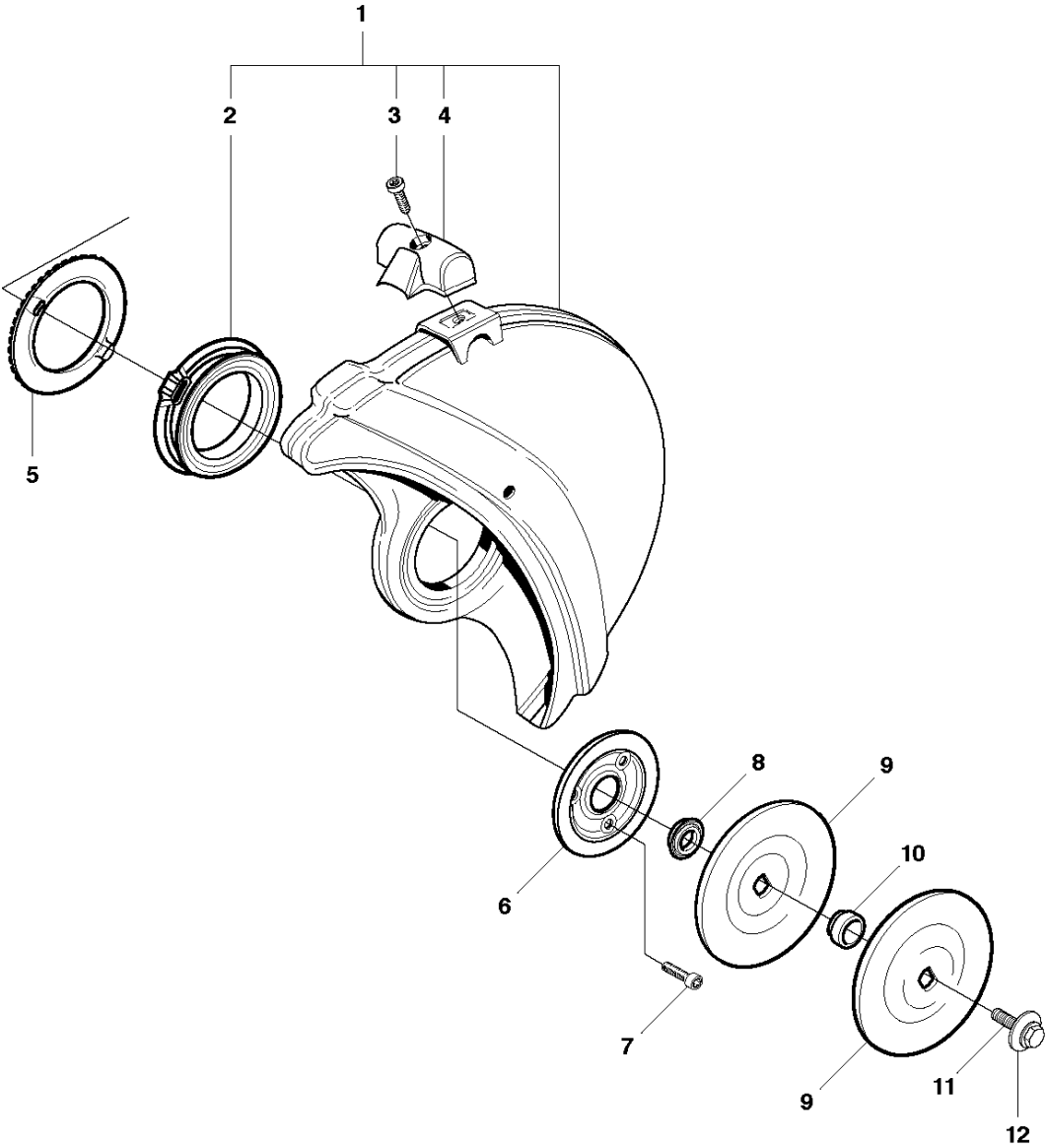


## BELT GUARD &amp; PULLEY

K1260 Rail, 2010-10

Ref	Part No	Description	Remark	QTY KIT
1	506 27 92-06	BELT GUARD	Incl. 2 - 4	1
1	506 27 92-07	BELT GUARD	"Rail 14""", Incl. 2 - 4"	1
1	506 27 92-08	BELT GUARD	"Rail 16""", Incl. 2 - 4"	1
2	506 40 93-01	NUT		1
3	506 26 68-01	COMPRESSION SPRING		1
4	503 20 72-05	SCREW CITXSCM		1
5	506 28 44-01	SCREW EHHFM		2
6	503 20 00-45	SCREW EHHFM		1
7	503 23 01-04	WASHER		2
8	544 97 63-01	BELT	"14""", 16""", Rail 14"""	1
8	544 97 63-02	BELT	"Rail 16"""	1
9	578 11 05-01	PULLEY		1
10	506 39 42-08	BEARING HOUSING	Incl. 11 - 15	1
11	505 57 41-16	SCREW ITXSCM		1
12	506 14 32-01	TORSION STOP		1
13	506 28 73-01	NUT		2
14	503 21 53-10	SCREW ITXSCM		2
15	506 28 84-01	SCREEN		1
16	583 95 33-01	BALL BEARING		2
17	506 29 83-65	SHAFT	Incl. 18 - 19	1
18	506 13 95-11	WASHER		1
19	506 13 96-01	SCREW EHHFM		1

**B** K1260  
K1260 Rail



13



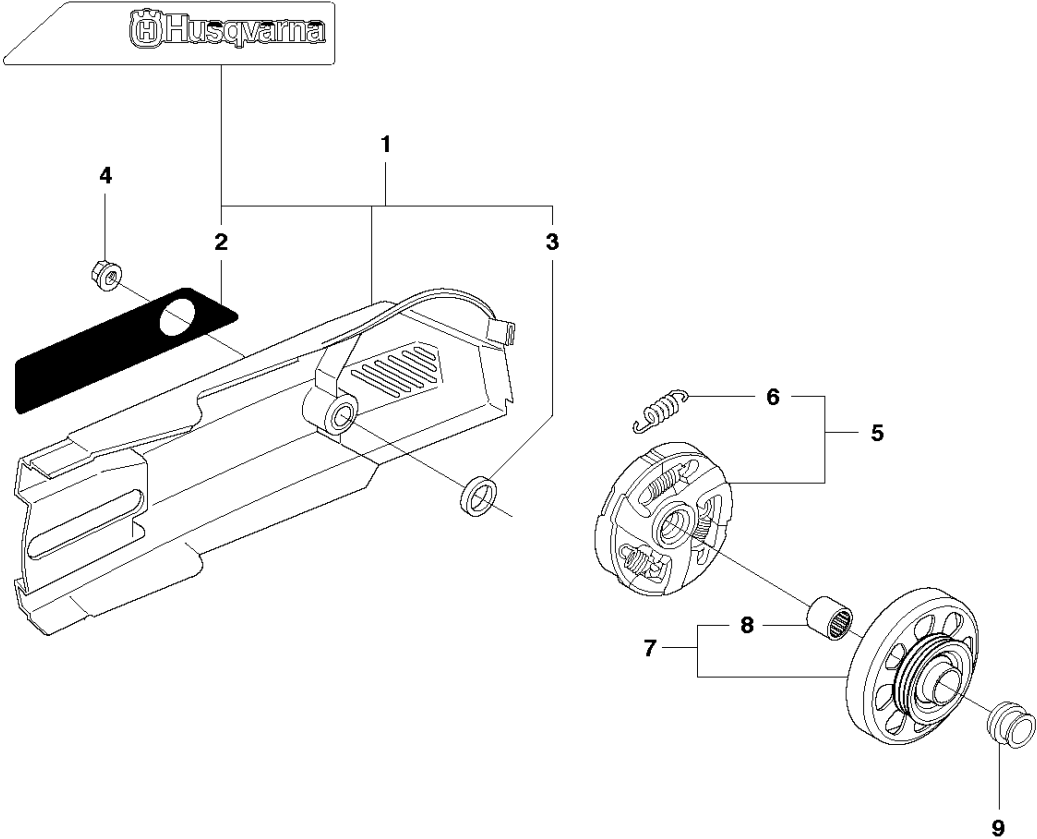
14

## WHEELS &amp; TIRES

K1260 Rail, 2010-10

Ref	Part No	Description	Remark	QTY KIT
1	506 34 05-44	BLADE GUARD	"14"" Incl. 2 - 4"	1
1	506 34 05-46	BLADE GUARD	"16"" Incl. 2 - 4"	1
1	506 34 05-54	BLADE GUARD	"14"" Rail, Incl. 2 - 4"	1
1	506 34 05-56	BLADE GUARD	"16"" Rail, Incl. 2 - 4"	1
2	506 26 63-02	LINING		1
3	503 21 53-20	SCREW ITXSCM		1
4	506 34 46-02	HANDLE		1
5	506 26 64-01	SCREEN		1
6	506 26 65-01	FLANGE		1
7	505 57 41-16	SCREW ITXSCM		3
8	506 32 48-01	SUPPORT FLANGE		1
9	506 02 87-01	FLANGE WASHER	Diam 105	1
9	506 07 09-01	FLANGE WASHER	Diam 119	1
10	506 37 96-20	KIT	Diam 20	1
10	506 37 96-22	KIT	Diam 22,2	1
10	506 37 96-25	KIT	Diam 25	1
10	506 02 88-30	BUSHING	Diam 30,5	1
11	506 13 96-01	SCREW EHHFM		1
12	506 13 95-11	WASHER		1
13	506 28 41-12	LABEL	"14"" Diam 20 mm"	1
13	506 28 41-14	LABEL	"14"" Diam 1""	1
13	506 28 41-22	LABEL	"16"" Diam 20 mm"	1
13	506 28 41-24	LABEL	"16"" Diam 1""	1
14	576 12 10-02	DECAL	"Japan 14""	1
14	576 12 10-03	DECAL	"Japan 16""	1

**C** K1260  
K1260 Rail

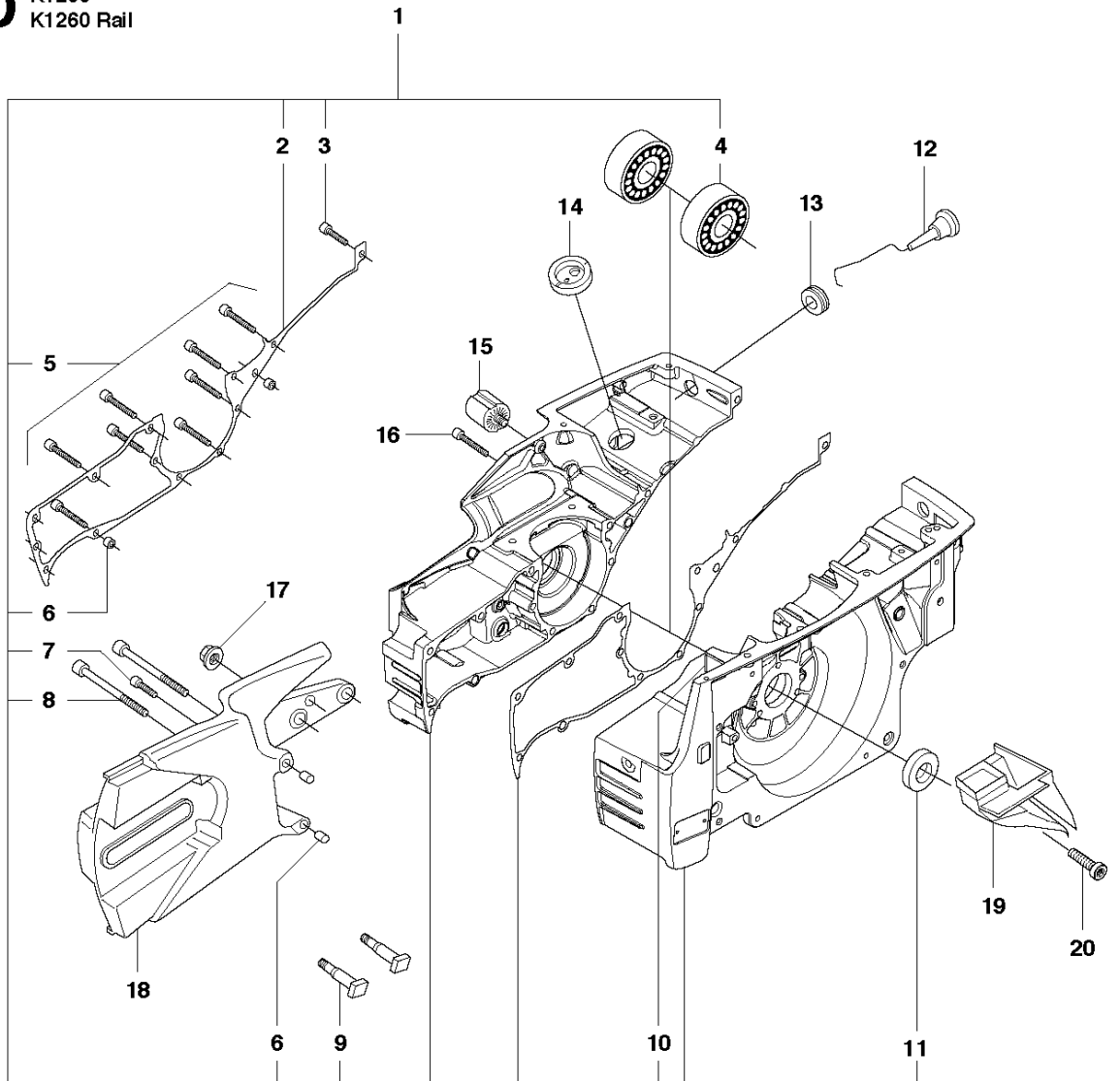


## BELT GUARD

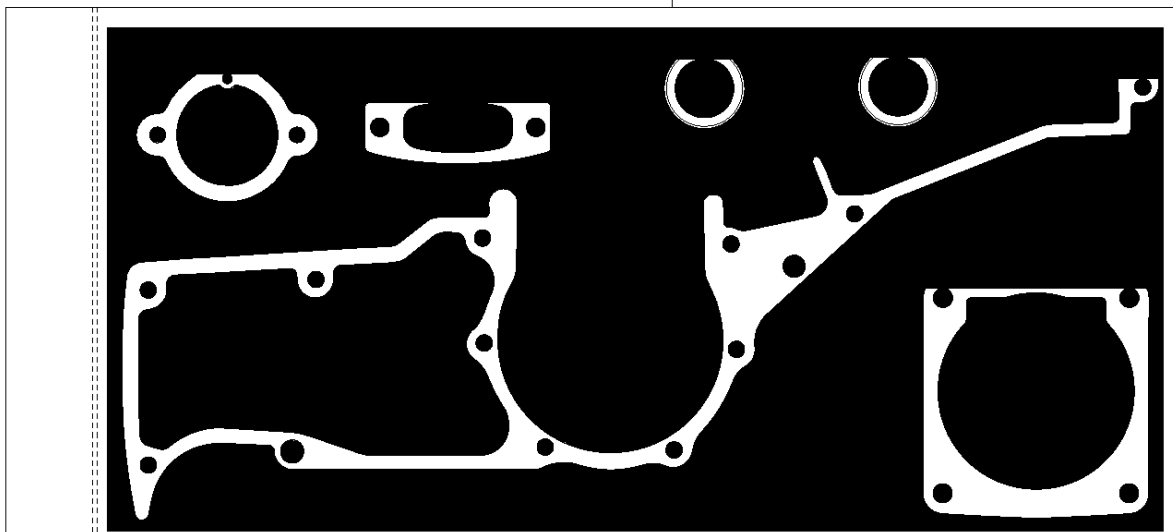
K1260 Rail, 2010-10

Ref	Part No	Description	Remark	QTY KIT
1	506 27 17-03	BELT GUARD	Incl. 2, 3	1
2	544 87 36-01	LABEL		1
3	506 26 84-01	SPACING SLEEVE		1
4	503 22 00-01	HEXAGON NUT		1
5	503 14 49-01	CLUTCH ASSY	Incl. 6	1
6	503 14 51-01	CLUTCH SPRING		3
7	540 05 28-01	DRIVE SPROCKET	"14"". Incl. 8"	1
7	540 05 28-03	DRIVE SPROCKET	"16"". Incl. 8"	1
8	503 25 38-01	NEEDLE BEARING		1
9	506 28 59-01	SPACING SLEEVE		1

**D** K1260  
K1260 Rail



21



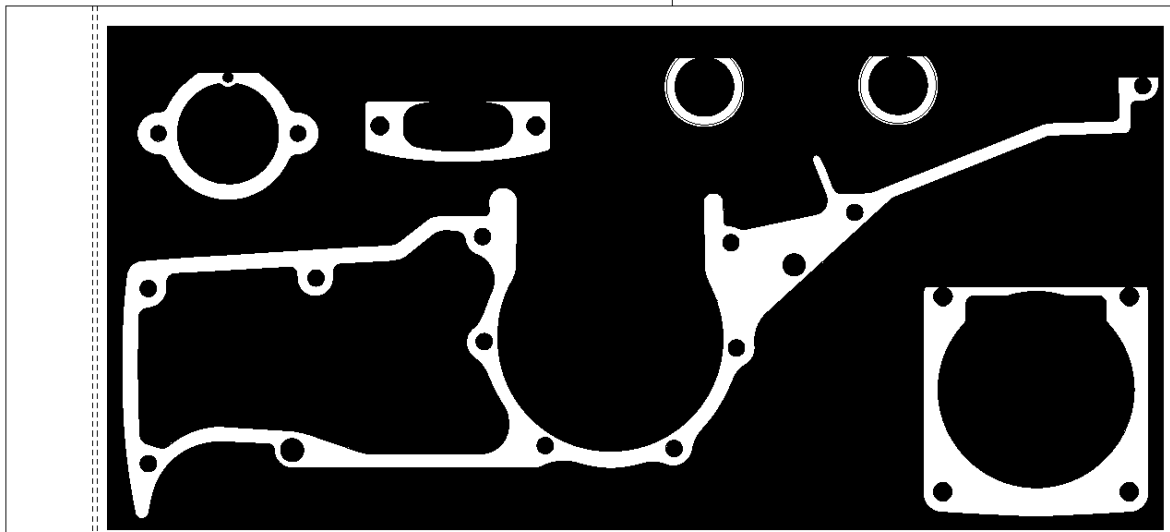
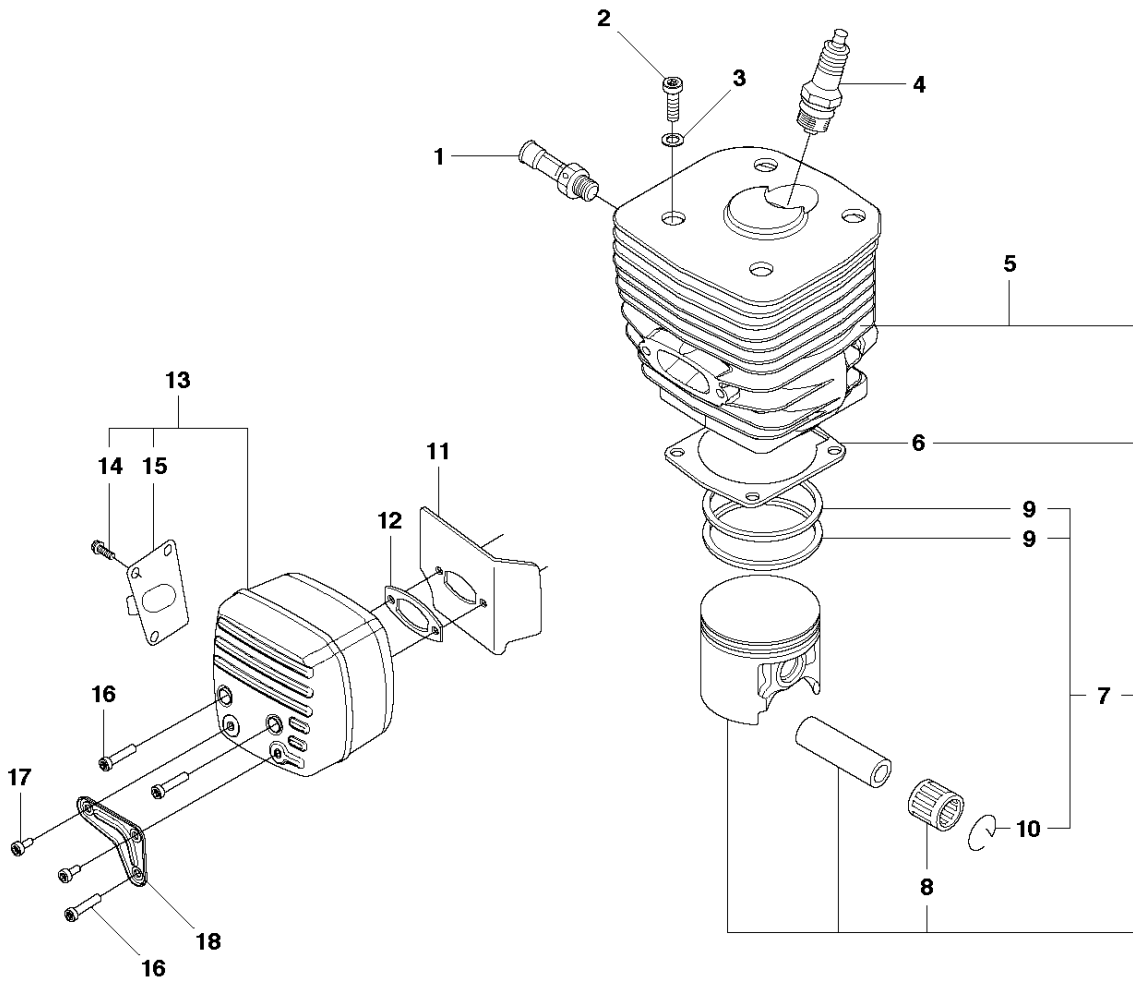


## CRANKCASE

K1260 Rail, 2010-10

Ref	Part No	Description	Remark	QTY KIT
1	576 22 39-01	CRANKCASE	Incl. 2-11	1
2	503 13 45-01	CRANKCASE		1
3	503 21 53-20	SCREW ITXSCM		1
4	503 25 00-02	BALL BEARING		2
5	503 21 53-41	SCREW ITXSCM		9
6	501 27 08-01	GUIDE BUSHING		4
7	503 21 53-21	SCREW ITXSCM		1
8	503 21 53-65	SCREW ITXSCM		2
9	501 81 57-01	BAR BOLT		2
10	721 42 06-00	SPRING PIN		1
11	503 26 02-05	SEALING RING		2
12	506 25 43-01	CHOKE CONTROL		1
13	503 14 54-02	GROMMET		1
14	503 13 20-01	GROMMET		1
15	501 26 97-04	ANTIVIBRATION ELEMENT		1
16	544 21 84-20	SCREW ITXSCM		1
17	503 22 00-01	HEXAGON NUT		1
18	506 24 14-04	CUTTER ARM		1
19	506 23 70-01	AIR NOZZLE		1
20	503 21 53-12	SCREW ITXSCM		1
21	506 29 24-03	GASKET KIT	Incl. 2, 11, 22 - 24	1
22	506 27 43-02	GASKET		1
23	503 13 13-05	GASKET		1
24	503 13 46-01	GASKET		1

**E** K1260  
K1260 Rail

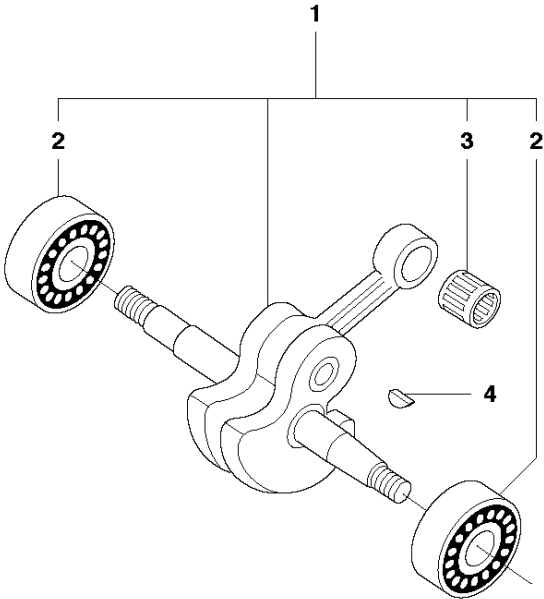


## CYLINDER, PISTON &amp; MUFFLER

K1260 Rail, 2010-10

Ref	Part No	Description	Remark	QTY KIT
1	503 66 56-01	DECOMPRESSION VALVE		1
2	516 00 24-01	SCREW UNC		4
3	503 23 00-05	WASHER		4
4	503 23 51-09	SPARK PLUG	RCJ 6Y	1
5	576 27 00-02	CYLINDER ASSY	Incl. 6 - 8	1
6	503 13 46-01	GASKET		1
7	501 89 41-03	PISTON ASSY	Incl. 9 - 10	1
8	503 13 29-01	NEEDLE HOLDER		1
9	503 28 90-26	PISTON RING		2
10	737 44 13-00	CIRCLIP		2
11	506 34 14-01	COOLING AIR CONDUCTOR		1
12	503 13 13-05	GASKET		1
13	505 41 79-01	MUFFLER ASSY	Incl. 14 - 15	1
14	574 56 04-01	SCREW EHHM		4
15	505 41 90-01	EXHAUST DUCT		1
16	544 21 84-20	SCREW ITXSCM		3
17	503 21 53-12	SCREW ITXSCM		2
18	502 85 08-01	SUPPORT		1
19	506 29 24-03	GASKET KIT	Incl. 6, 12, 20 - 22	1
20	506 27 43-02	GASKET		1
21	503 13 45-01	CRANKCASE		1
22	503 26 02-05	SEALING RING		2

**F** K1260  
K1260 Rail

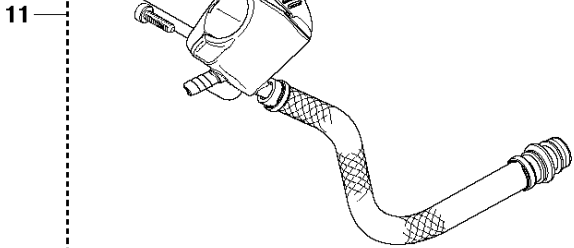
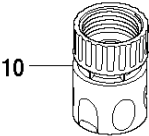
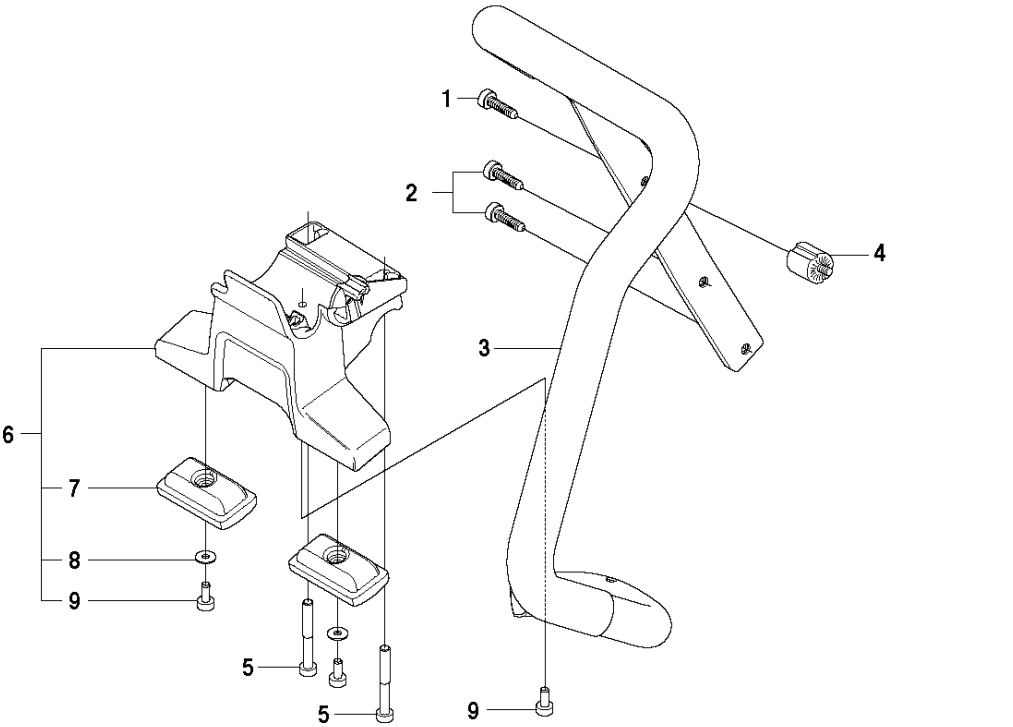


CRANKSHAFT

K1260 Rail, 2010-10

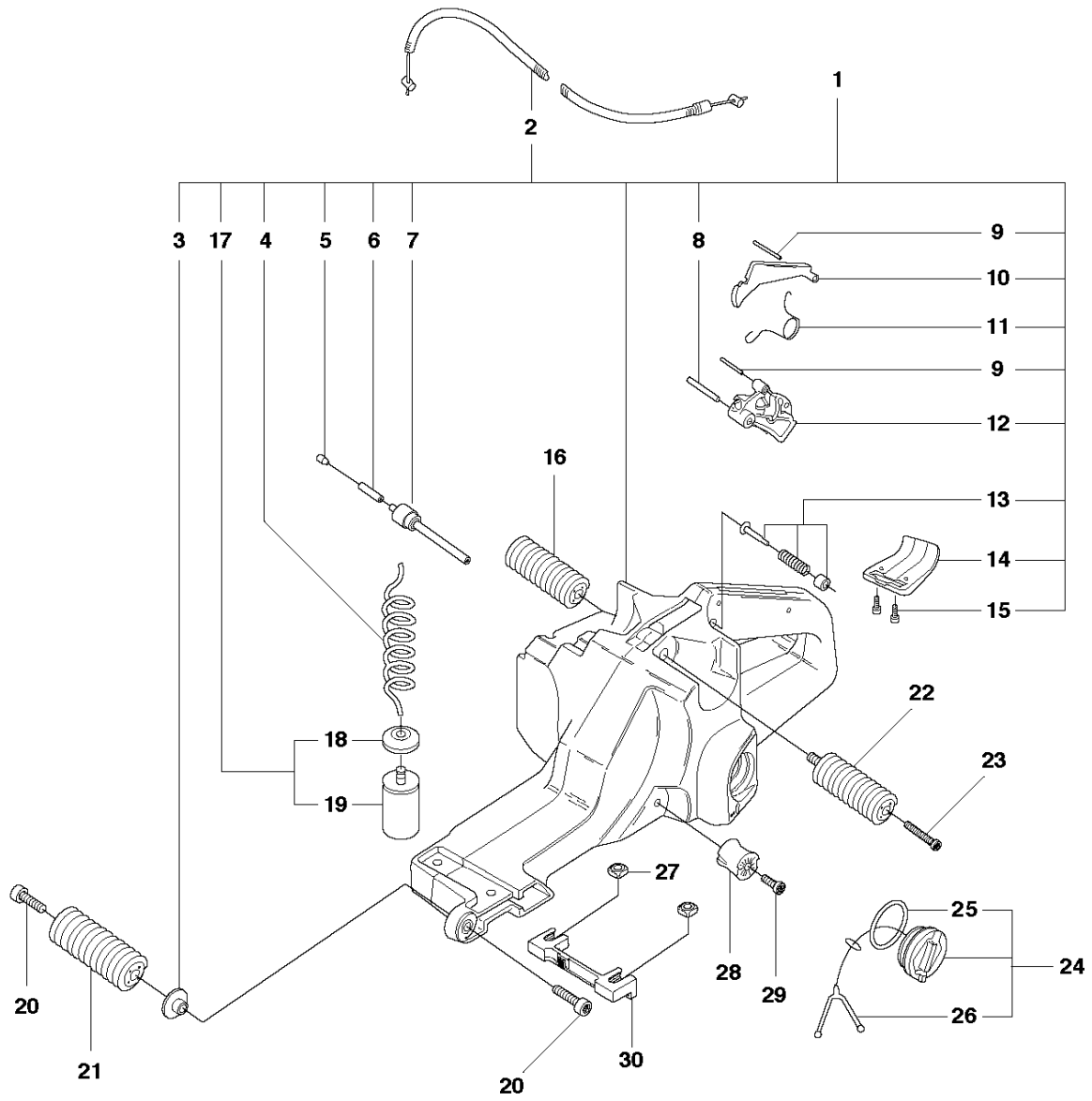
Ref	Part No	Description	Remark	QTY KIT
1	577 34 38-01	CRANKSHAFT	Incl. 2, 3	1
2	503 25 00-02	BALL BEARING		2
3	503 13 29-01	NEEDLE HOLDER		1
4	735 88 06-00	WOODRUFF KEY		1

**G** K1260  
K1260 Rail



Ref	Part No	Description	Remark	QTY KIT
1	503 21 53-10	SCREW ITXSCM		1
2	503 21 54-20	SCREW ITXSCT		2
3	521 95 48-01	HANDLE		1
4	501 26 97-04	ANTIVIBRATION ELEMENT		1
5	544 21 84-47	SCREW ITXSCM		2
6	525 82 04-01	GROUND SUPPORT	Incl. 7 - 9	1
7	544 81 16-01	BASE		2
8	734 11 47-41	WASHER		2
9	503 21 53-12	SCREW ITXSCM		3
10	503 26 60-03	COUPLER	USA, Canada	1
10	503 26 60-04	COUPLER		1
11	505 09 55-01	HOSE KIT		1

**H** K1260  
K1260 Rail



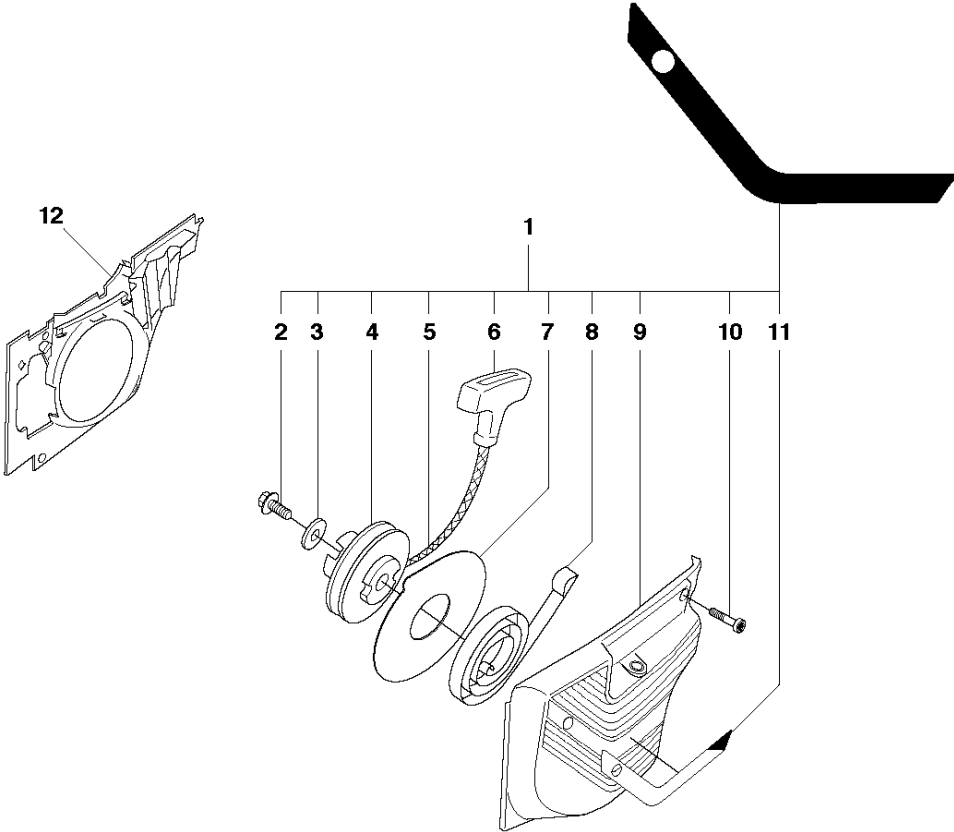


## FUEL TANK

K1260 Rail, 2010-10

Ref	Part No	Description	Remark	QTY KIT
1	503 14 21-06	TANK UNIT ASSY	Incl. 1 - 15, 17	1
2	506 28 98-01	THROTTLE CABLE ASSY		1
3	503 14 08-01	BUSHING		1
4	503 57 76-02	FUEL HOSE		1
5	504 35 72-01	PLUG		1
6	501 76 83-04	FUEL HOSE		1
7	506 29 39-01	TANK VENT		1
8	720 12 78-06	PARALLEL PIN		1
9	720 12 40-20	PARALLEL PIN		1
10	503 13 16-01	THROTTLE LOCKOUT		1
11	503 13 18-01	SPRING		1
12	503 13 36-01	THROTTLE CONTROL ASSY		1
13	503 14 23-01	SPÄRRSTIFT RES		1
14	506 23 34-01	SUPPORT		1
15	503 21 45-16	SCREW CRCSFT		2
16	503 13 26-02	ANTIVIBRATION ELEMENT		1
17	506 26 41-11	FUEL FILTER	Incl. 18 - 19	1
18	506 27 11-01	HOSE CLAMP		1
19	506 26 41-01	FUEL FILTER		1
20	503 21 53-25	SCREW ITXSCM		2
21	503 13 27-02	ANTIVIBRATION ELEMENT		1
22	503 13 25-02	ANTIVIBRATION ELEMENT		1
23	544 21 84-20	SCREW ITXSCM		2
24	506 25 59-03	TANK CAP ASSY	Incl. 25 - 26	1
25	506 29 21-01	GASKET		1
26	503 57 89-01	HOLDER		1
27	505 42 04-01	NUT		2
28	501 81 47-01	ANTIVIBRATION ELEMENT		1
29	503 21 53-12	SCREW ITXSCM		1
30	574 51 22-01	NUT LOCKING		1

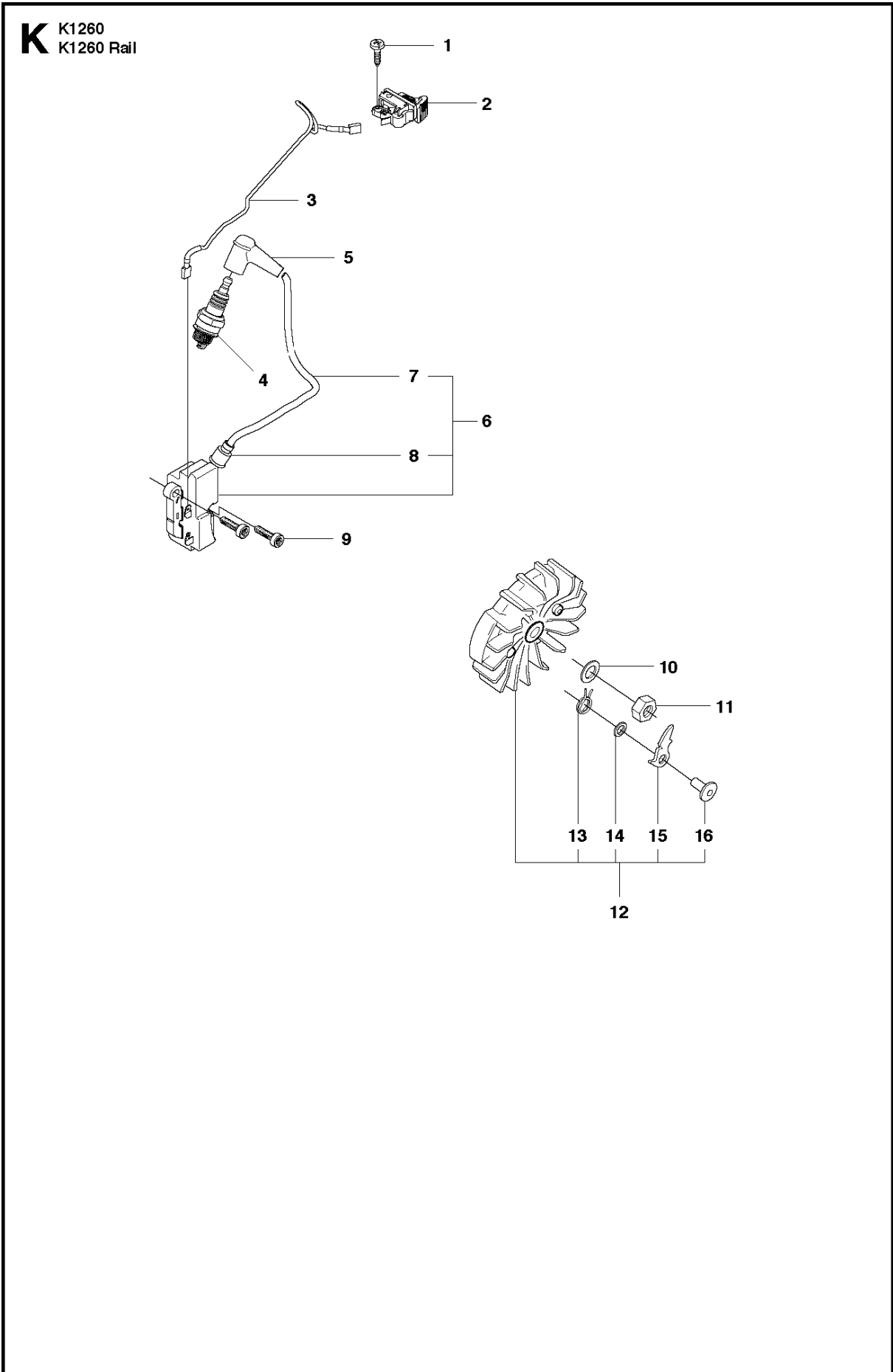
**J** K1260  
K1260 Rail



## STARTER

K1260 Rail, 2010-10

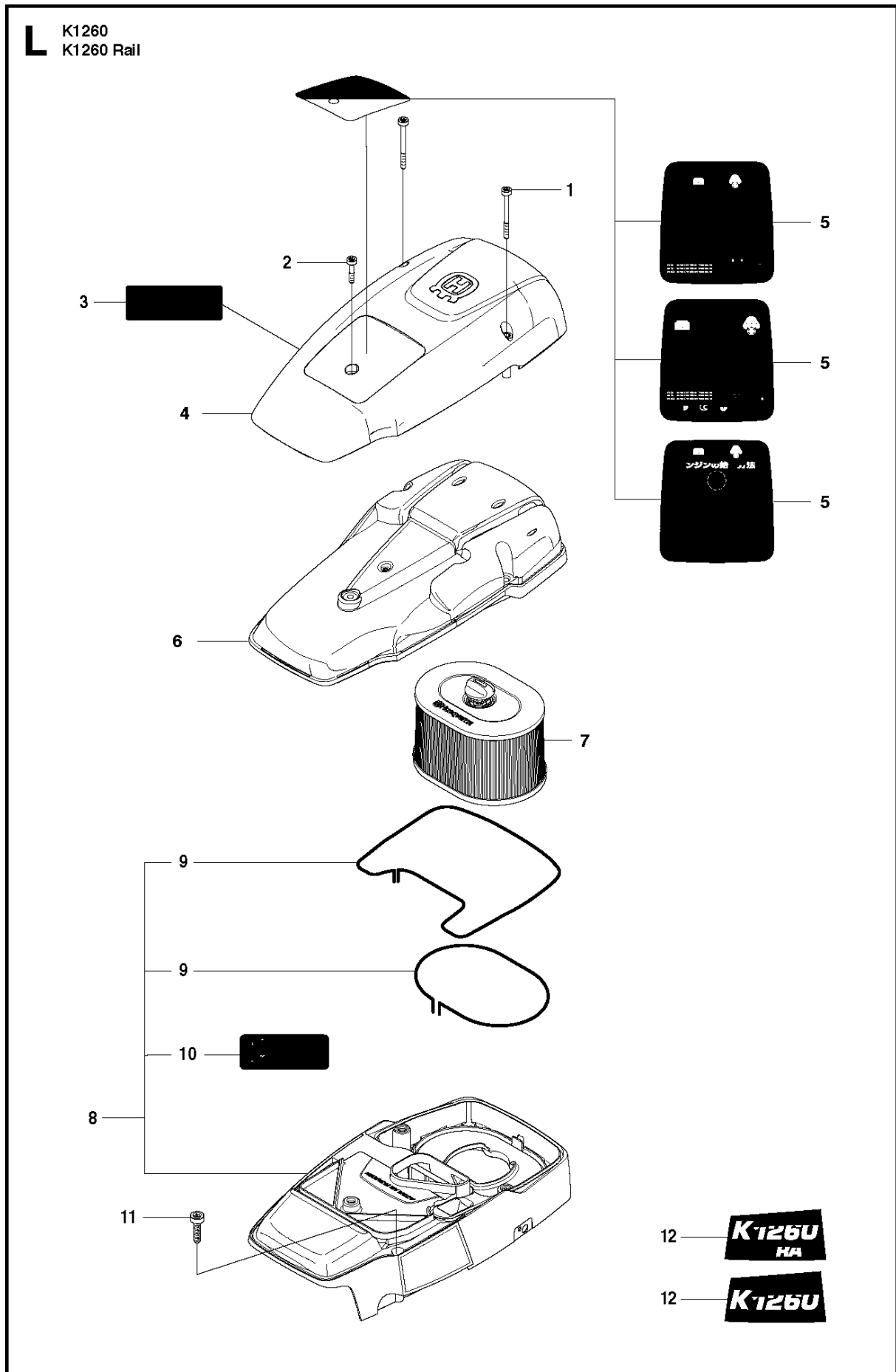
Ref	Part No	Description	Remark	QTY KIT
1	506 27 55-04	STARTER	Incl. 2 - 11	1
2	503 21 06-16	SCREW IHST		1
3	503 23 43-02	WASHER		1
4	501 89 67-01	STARTER PULLEY		1
5	506 33 56-25	STARTER CORD		1
5	506 33 56-50	STARTER CORD	50 meter	1
6	503 12 79-01	STARTER HANDLE		1
7	503 74 36-01	DAMPING DISC		1
8	503 13 50-01	RECOIL SPRING		1
9	506 25 58-02	STARTER COVER		1
10	503 21 53-26	SCREW ITXSCM		4
11	544 87 35-01	LABEL		1
12	501 89 59-02	AIR CONDUCTOR		1
12	501 89 59-03	LEDSKENA	Rail Stop Switch only	1



## IGNITION SYSTEM

K1260 Rail, 2010-10

Ref	Part No	Description	Remark	QTY KIT
1	503 21 28-06	SCREW CCRPANT		1
2	506 31 86-02	STOP SWITCH		1
3	501 83 98-03	CABLE		1
4	503 23 51-09	SPARK PLUG	RCJ 6Y	1
5	501 48 54-02	SPARK PLUG CAP		1
6	510 11 56-01	IGNITION MODULE	Incl. 7 - 8	1
7	506 38 78-34	IGNITION CABLE		1
8	505 27 75-16	ISOLERHATT		1
9	503 21 53-20	SCREW ITXSCM		2
10	735 11 73-50	SPRING WASHER		1
11	503 22 10-03	HEXAGON NUT		1
12	522 89 20-04	FLYWHEEL ASSY	Incl. 13 - 16	1
13	501 63 48-01	SPRING		2
14	503 23 00-42	WASHER		2
15	501 67 32-03	PAWL		2
16	506 00 69-01	SCREW		2

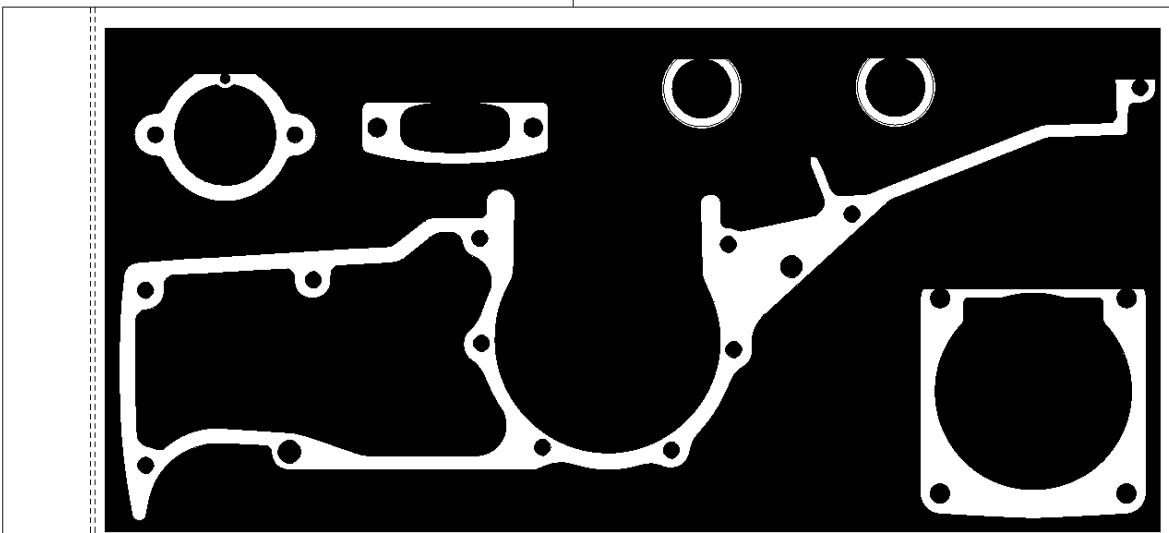
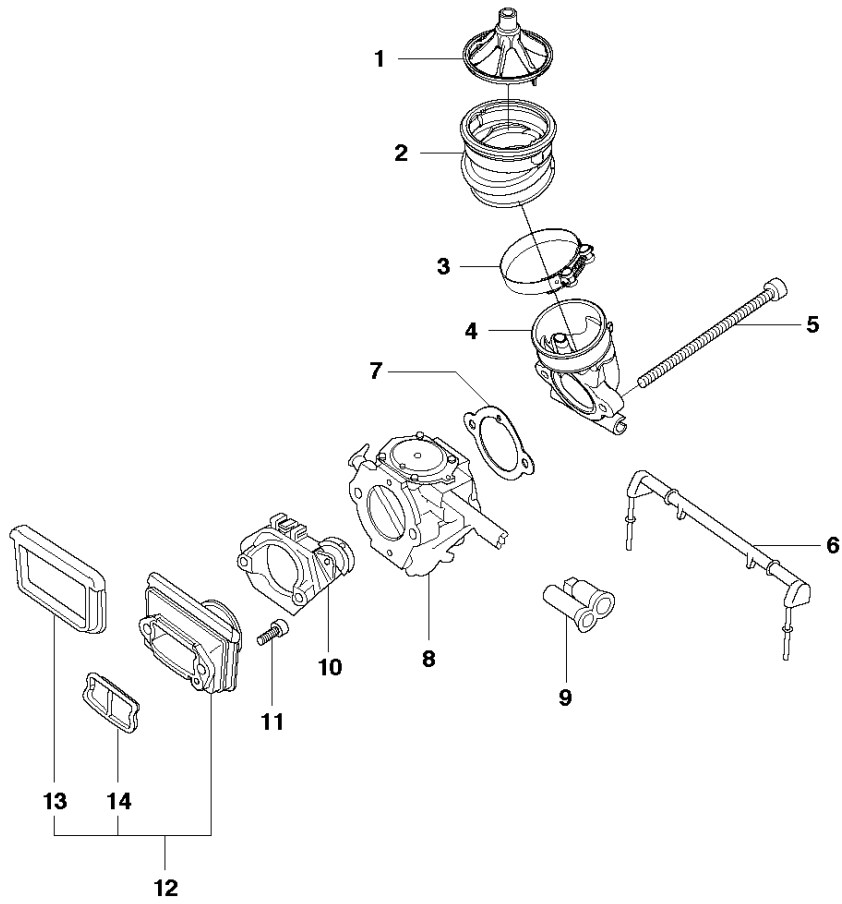


## AIR FILTER

K1260 Rail, 2010-10

Ref	Part No	Description	Remark	QTY KIT
1	503 21 53-56	SCREW ITXSCM		2
2	503 21 53-26	SCREW ITXSCM		1
3	525 76 35-02	DECAL		1
5	525 81 81-03	DECAL	USA	1
5	525 81 81-04	DECAL	Canada, CE	1
5	576 12 09-01	DECAL	Japan	1
4	525 32 18-01	COVER		1
6	525 32 16-01	FILTER COVER		1
7	510 24 41-05	AIR FILTER		1
8	576 55 32-01	CYLINDER COVER	Incl. 9 - 10	1
9	525 61 70-04	SEALING		2
10	544 87 38-01	LABEL		1
11	503 21 53-30	SCREW ITXSCM		5
12	525 81 69-01	LABEL	K1260	1
12	525 81 69-02	LABEL	K1260 Rail	1

**M** K1260  
K1260 Rail



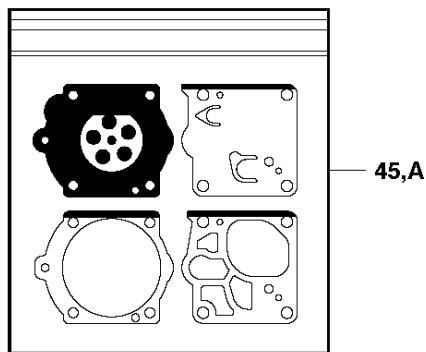
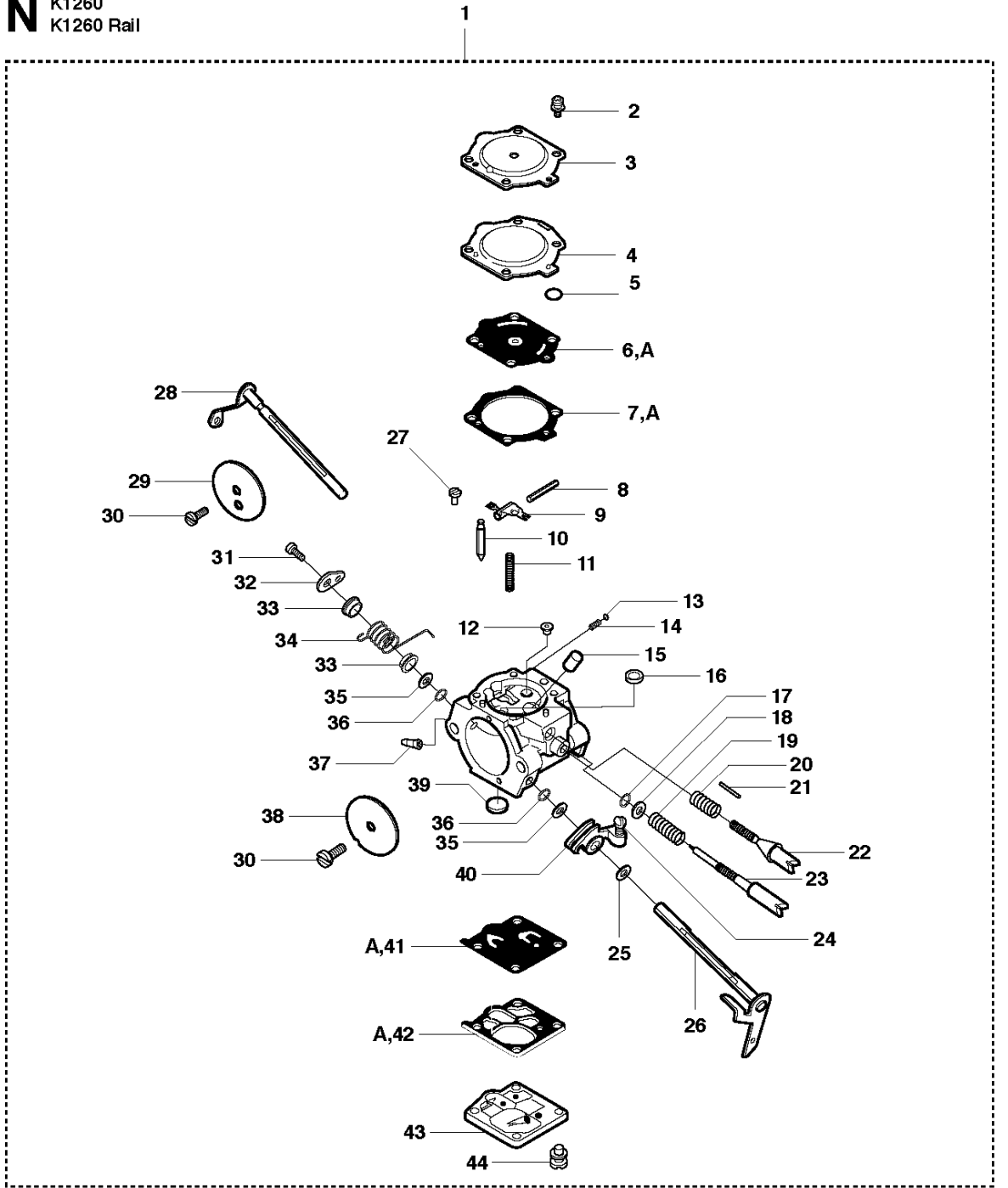


## CARBURETOR

K1260 Rail, 2010-10

Ref	Part No	Description	Remark	QTY KIT
18	503 13 45-01	CRANKCASE		1
19	503 13 46-01	GASKET		1
1	510 24 39-01	FILTER		1
2	510 24 38-01	BELLOWS		
3	505 28 33-07	HOSE CLAMP		1
4	510 24 37-01	INLET		1
5	504 90 94-65	SCREW ITXSCT		2
6	506 25 04-01	SUPPORT		1
7	506 27 43-02	GASKET		1
8	503 28 12-70	CARBURETTOR		1
9	506 25 46-01	CHISEL GUIDE		1
10	506 28 97-01	FLANGE		1
11	503 21 53-20	SCREW ITXSCM		2
12	506 27 52-02	FLANGE	Incl. 13 - 14	1
13	503 14 37-01	SEALING		1
14	506 31 38-01	INSERT		1
15	506 29 24-03	GASKET KIT	Incl. 7, 16 - 19	1
16	503 13 13-05	GASKET		1
17	503 26 02-05	SEALING RING		2

**N** K1260  
K1260 Rail

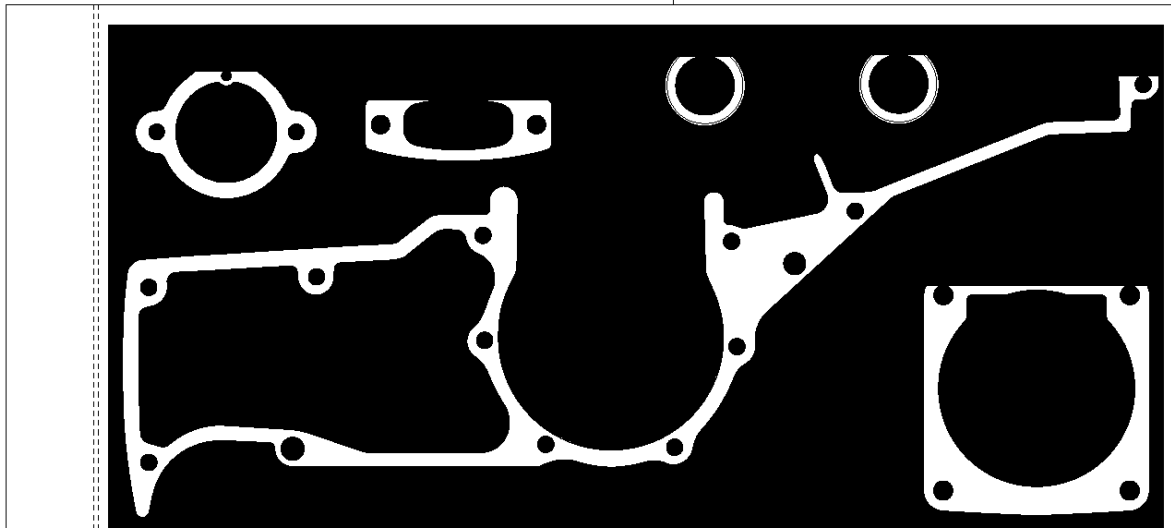
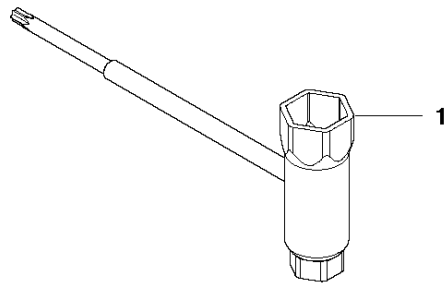


## CARBURETOR DETAILS

K1260 Rail, 2010-10

Ref	Part No	Description	Remark	QTY KIT
1	503 28 12-70	CARBURETTOR		1
2	537 00 31-01	SCREW		1
3	501 69 28-01	COVER		1
4	537 00 29-01	COVER		1
5	537 00 28-01	RING		1
6	503 63 28-01	DIAPHRAGM ASSY	Kit 45	1
7	501 46 75-01	GASKET	Kit 45	1
8	505 31 67-31	PIN-METERING LEVER		1
9	505 31 67-34	LEVER		1
10	503 56 34-01	INLET		1
11	576 76 90-01	SPRING		1
12	537 15 34-01	JET		1
13	501 46 85-01	BALL		1
14	501 46 84-01	SPRING		1
15	503 97 66-01	NOZZLE ASSY		1
16	503 57 42-01	PLUG		1
17	503 59 55-01	O-RING		1
18	503 59 72-01	WASHER		1
19	505 31 67-37	SPRING		1
20	503 63 31-01	SPRING		1
21	503 52 60-01	PIN THROTTLE STOP		1
22	503 63 29-01	SCREW IDLE SPEED		1
23	503 63 32-01	NEEDLE IDLE SPEED		1
24	503 59 65-01	SCREW		1
25	506 02 83-01	WASHER		1
26	503 59 59-01	SHAFT ASSY		1
27	505 31 67-17	SCREW		1
28	537 00 30-01	SHAFT ASSY		1
29	503 52 58-01	VALVE CHOKE		1
30	530 03 50-15	SCREW		2
31	503 19 22-01	SCREW PAN HD(M2.5X5)		1
32	503 59 56-01	LEVER		1
33	502 10 31-01	BUSHING		2
34	503 52 59-01	SPRING THROTT RETURN		1
35	505 31 67-48	WASHER		2
36	503 56 45-01	SEAL		2
37	503 59 84-01	FITTING		1
38	503 63 24-01	VALVE THROTTLE		1
39	501 66 61-01	SCREEN		1
40	503 59 57-01	LEVER		1
41	503 11 73-01	DIAPHRAGM PUMP	Kit 45	1
42	503 11 72-01	GASKET	Kit 45	1
43	503 59 58-01	COVER		1
44	503 11 75-01	SCREW		1
45	503 59 74-02	GASKET KIT		1

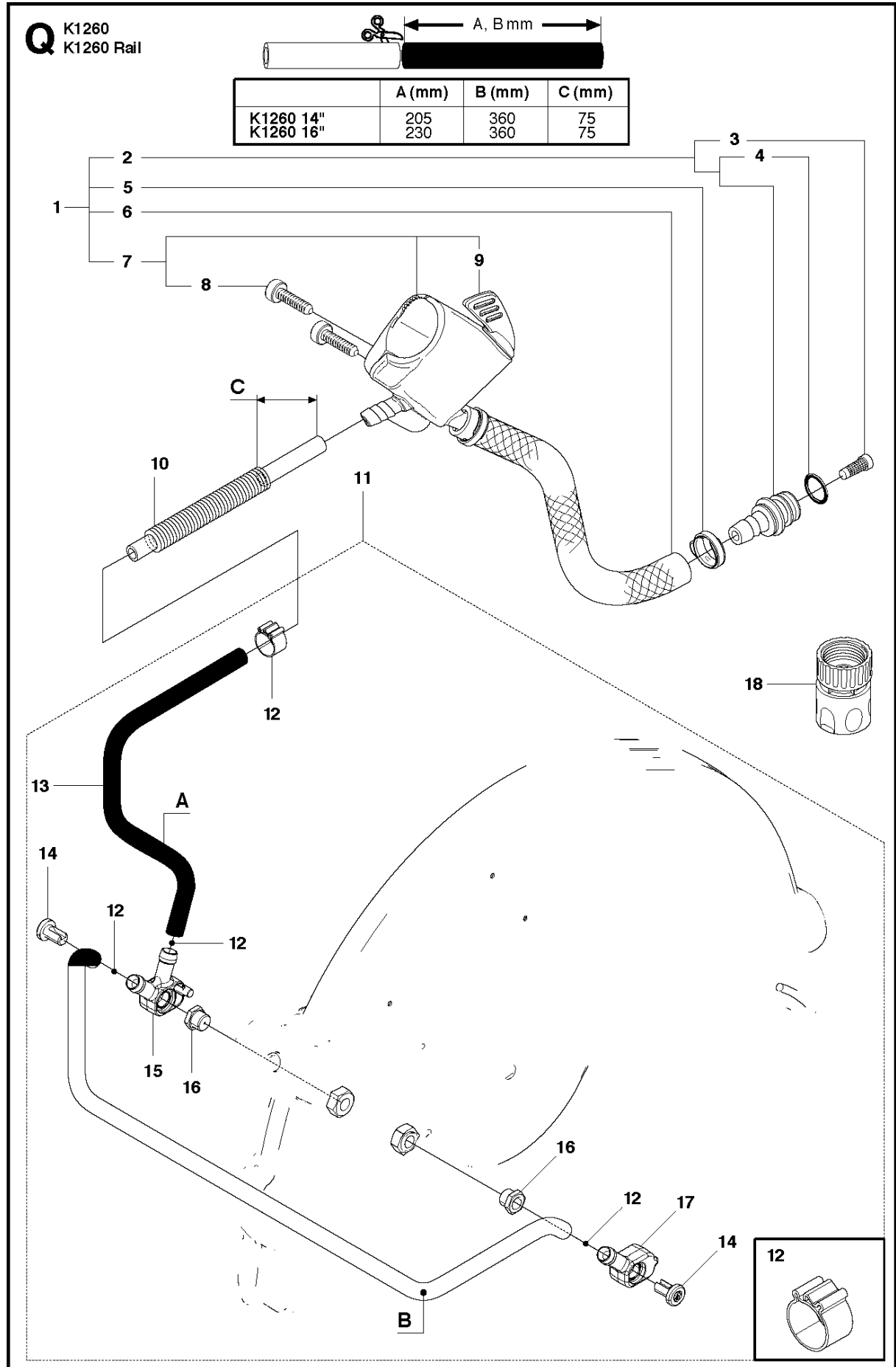
**P** K1260  
 K1260 Rail  
**Accessories**  
**Zubehöre**  
**Accessoires**  
**Accesorios**  
**Tillbehör**



## TOOLS

K1260 Rail, 2010-10

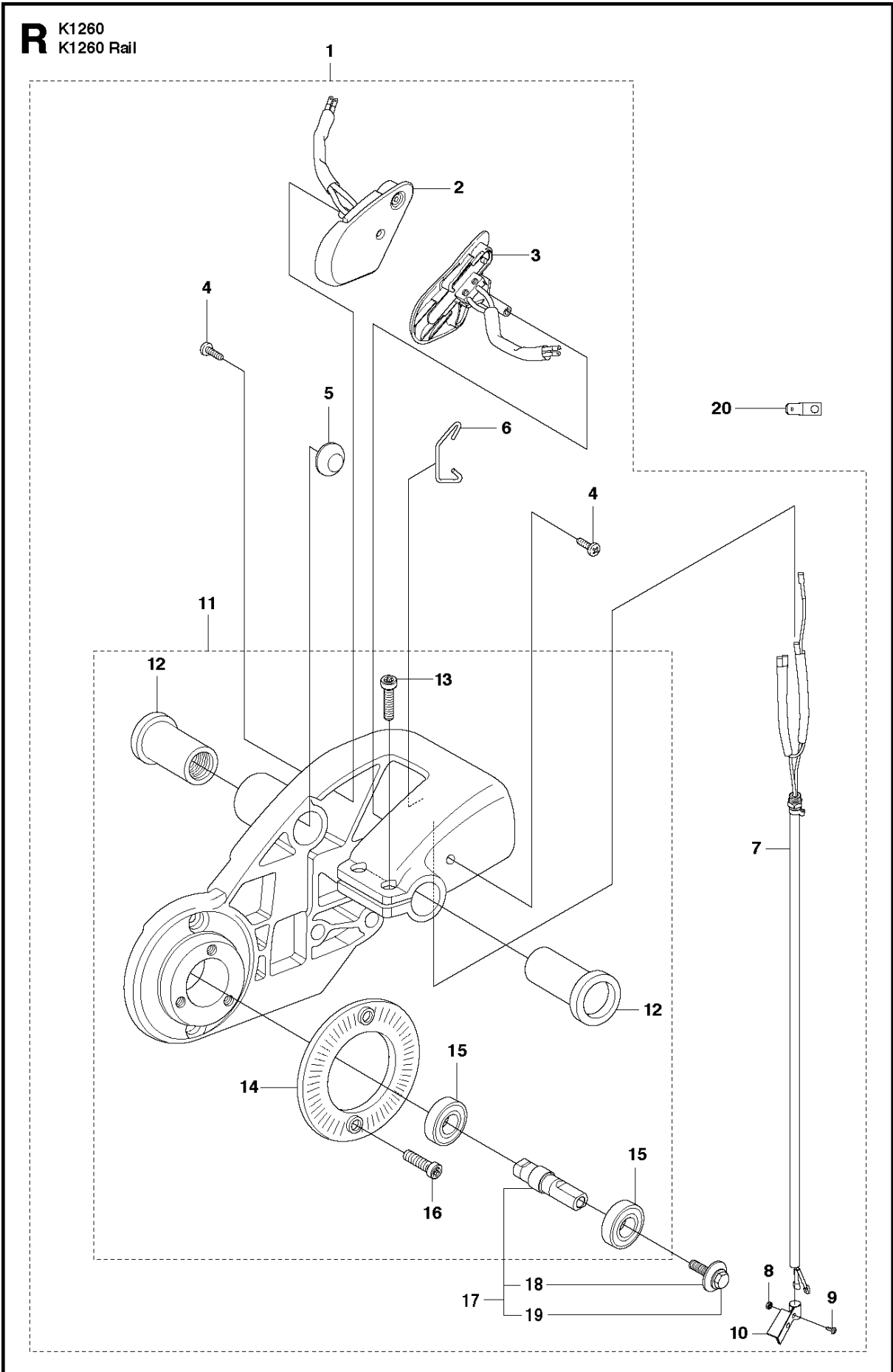
Ref	Part No	Description	Remark	QTY KIT
1	506 38 26-01	TOOL	Torx 27	1
2	506 29 24-03	GASKET KIT	Incl. 3 - 7	1
3	506 27 43-02	GASKET		1
4	503 13 13-05	GASKET		1
5	503 26 02-05	SEALING RING		2
6	503 13 45-01	CRANKCASE		1
7	503 13 46-01	GASKET		1



## WATER HOSE KIT

K1260 Rail, 2010-10

Ref	Part No	Description	Remark	QTY KIT
1	505 09 55-01	HOSE KIT	Incl, 2, 5-7	1
2	506 29 57-02	NIPPLE	Incl. 3, 4	1
3	506 29 88-01	FILTER		1
4	505 10 35-01	O-RING		1
5	506 49 87-02	HOSE CLAMP		1
6	506 60 75-01	HOSE		1
7	506 38 60-12	VALVE ASSY	Incl. 8	1
8	503 21 54-20	SCREW ITXSCT		2
9	505 52 42-01	VALVE SPINDLE		1
10	506 35 27-01	PROTECTIVE SPRING		1
11	505 09 54-01	HOSE KIT		1
12	506 49 87-01	HOSE CLAMP		4
13	506 60 68-06	HOSE	620 mm	1
14	504 63 46-01	SCREW ITXSCM		2
15	504 63 44-01	HOUSING		1
16	504 63 42-01	NIPPLE		2
17	504 63 45-01	HOUSING		1
18	503 26 60-03	COUPLER	USA, Canada	1
18	503 26 60-04	COUPLER		1





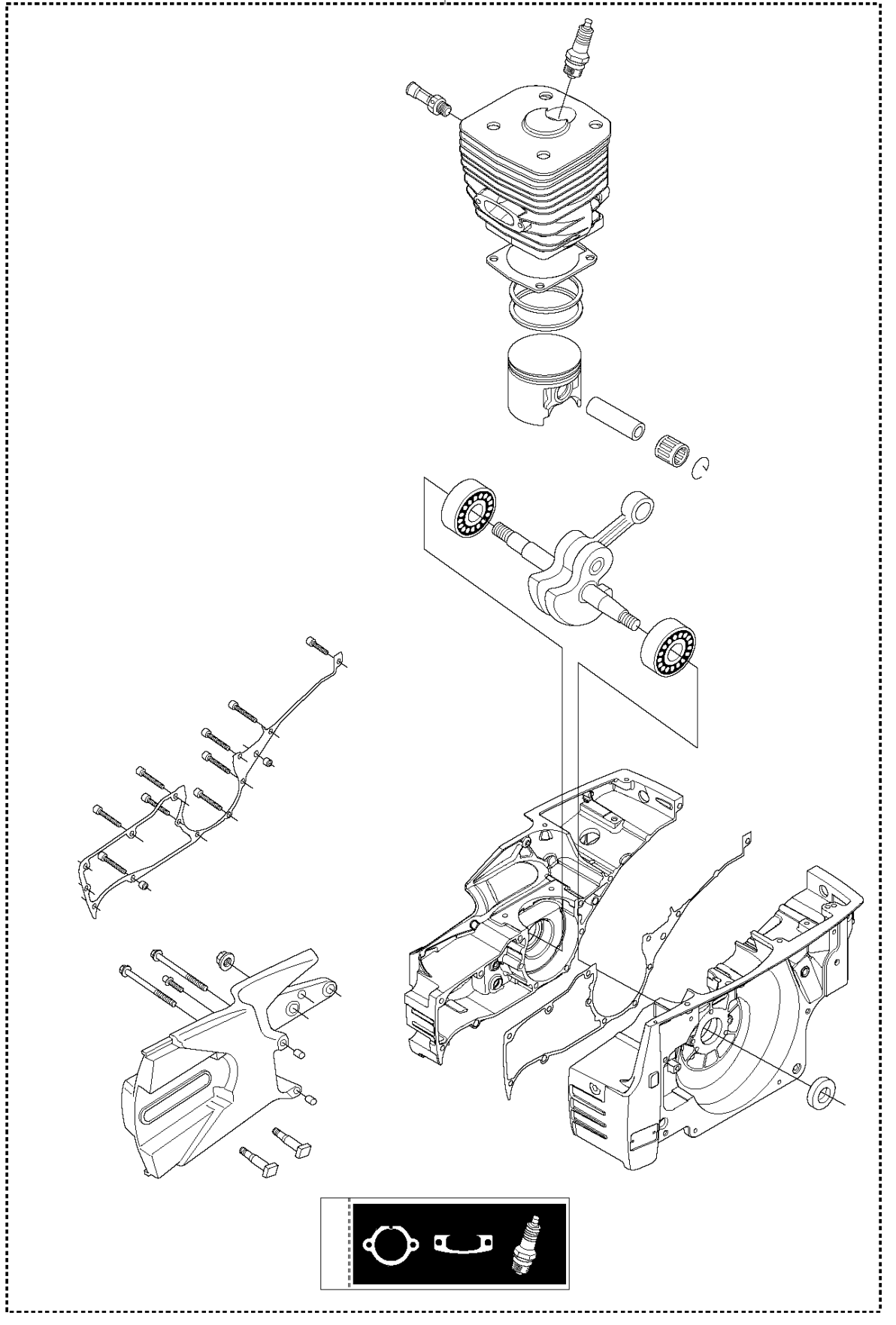
## HOUSING

K1260 Rail, 2010-10

Ref	Part No	Description	Remark	QTY KIT
19	506 13 96-01	SCREW EHHFM		1
20	535 03 94-01	CONNECTION		1
1	576 66 57-02	BEARING HOUSING ASSY	"14"" Rail Stop Switch, Incl. 2 - 11"	1
2	506 35 91-04	STOP SWITCH	RH	1
3	506 35 91-03	STOP SWITCH	LH	1
4	729 52 91-71	SCREW CRPANT		2
5	506 35 96-01	SPACING BLOCK		1
6	501 35 43-01	CLIP		1
7	506 35 90-01	WIRING		1
8	732 25 12-01	HEXAGON LOCKING NUT		1
9	724 12 87-59	SCREW CRPANM		1
10	506 35 80-01	BRACKET		1
11	576 66 57-01	BEARING HOUSING ASSY	"14"" Rail, Incl. 12 - 17"	1
11	576 66 57-03	BEARING HOUSING ASSY	"16"" Rail, Incl. 12 - 17"	1
11	576 66 57-04	BEARING HOUSING ASSY	"16"" Rail USA, Incl. 12 - 17"	1
12	506 22 75-01	SLEEVE		2
13	503 20 02-16	SCREW IHSCFM		2
14	506 28 84-01	SCREEN		1
15	583 95 33-01	BALL BEARING		2
16	503 21 53-10	SCREW ITXSCM		2
17	506 29 83-65	SHAFT	Incl. 18 - 19	1
18	506 13 95-11	WASHER		1

**S** K1260  
K1260 Rail

1



SHORT BLOCK

K1260 Rail, 2010-10

Ref	Part No	Description	Remark	QTY KIT
1	576 22 40-01	SHORT BLOCK		1