

## K1250 Active K1250 RAIL

Reservdelar

Spare parts

Ersatzteile

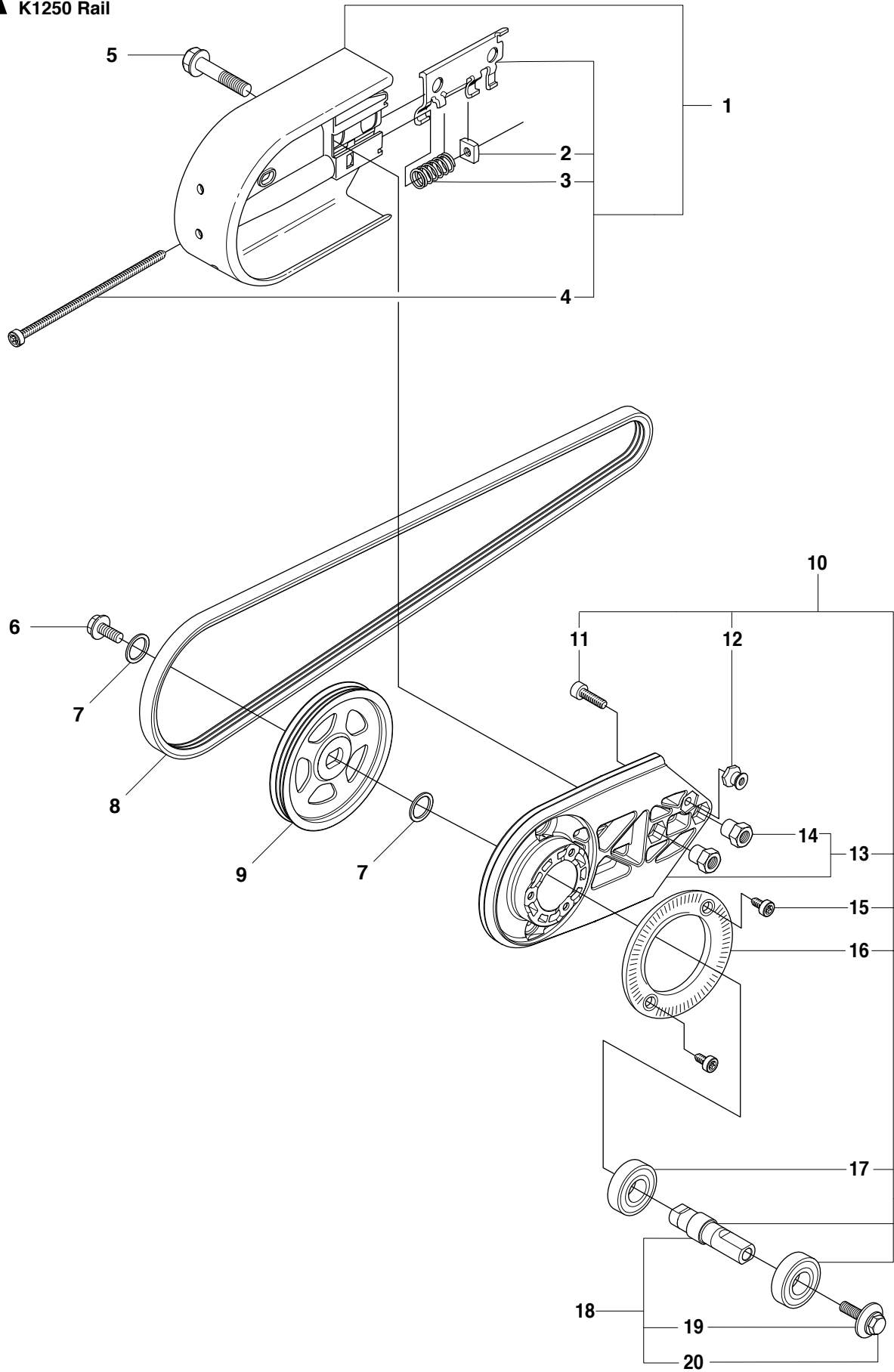
Pieces de rechange

Piezas de repuesto

Ricambi

Peças sobresselente

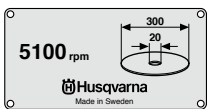
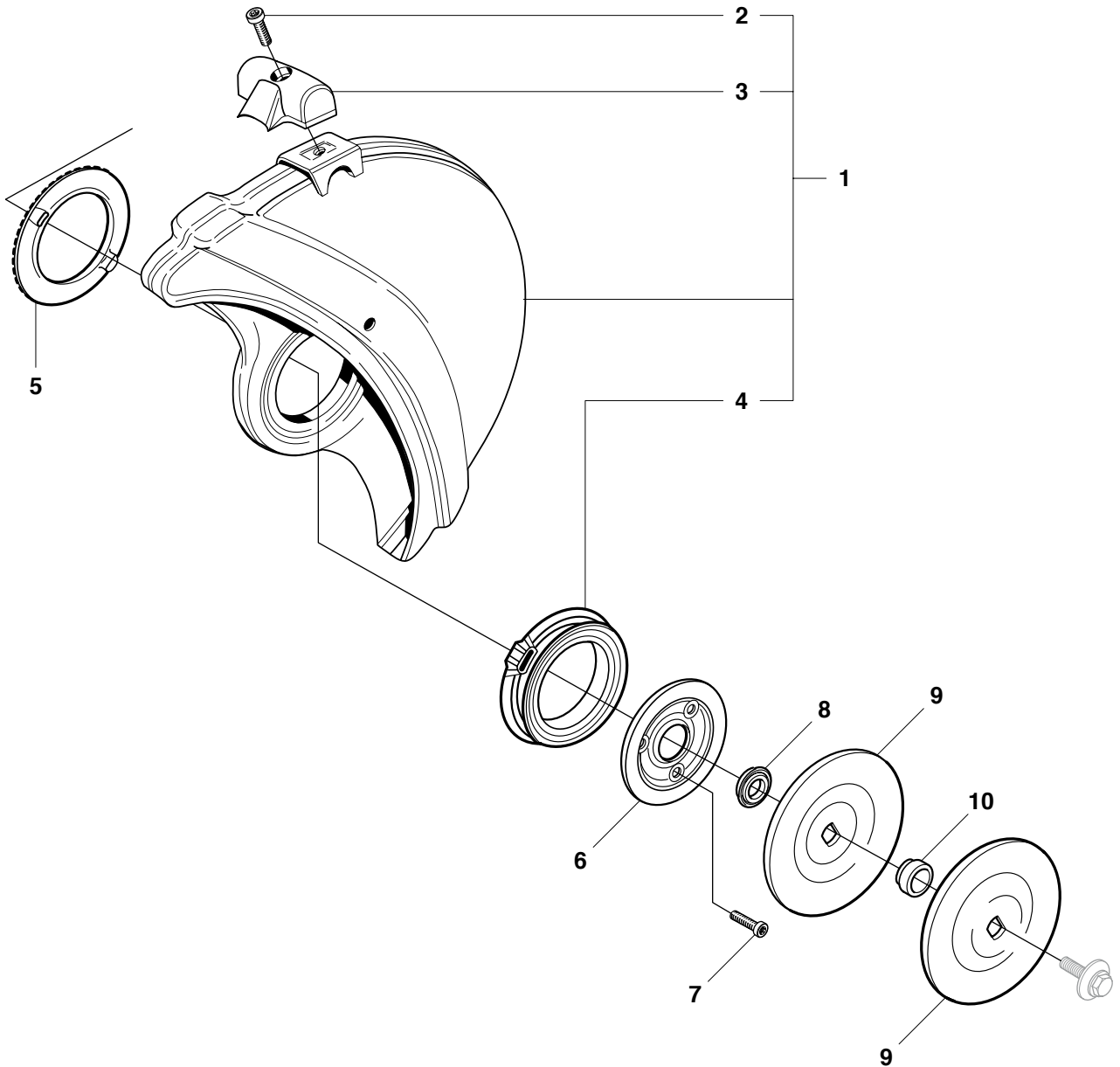
**A** K1250  
K1250 Rail



**Page A****K1250, K1250 Rail**

<b>Pos.</b>	<b>Part No.</b>	<b>Description</b>	<b>Quantity</b>	<b>Notes</b>	<b>New Part</b>
1	506 27 92-02	BELT GUARD	1	Incl. 2 - 4	
1	506 27 92-03	BELT GUARD	1	Rail 14", Incl. 2 - 4	
1	506 27 92-04	BELT GUARD	1	Rail 16", Incl. 2 - 4	
2	506 40 93-01	NUT	1		
3	506 26 68-01	COMPRESSION SPRING	1		
4	503 20 30-11	SCREW	1		
5	506 28 44-01	SCREW COLLAR	2		
6	503 20 00-45	SCREW COLLAR	1		
7	503 23 01-04	WASHER	2		
8	544 97 63-01	BELT	1	14", 16", Rail 14"	
8	544 97 63-02	BELT	1	Rail 16"	New Part
9	544 98 50-01	PULLEY	1		
11	725 53 29-55	SCREW	1		
10	506 39 42-08	BEARING HOUSING	1	Incl. 11 - 13, 15 - 17	New Part
12	506 14 32-01	TORSION STOP	1		
13	506 39 42-06	BEARING HOUSING	1	Incl. 14	
14	506 28 73-01	NUT	2		
15	503 20 07-12	SCREW	2		
16	506 28 84-01	SCREEN PATTERN FLANGE	1		
17	503 25 21-01	BALL BEARING	2		
18	506 29 83-65	SHAFT	1	Incl. 19 - 20	New Part
19	506 13 95-11	WASHER	1		
20	506 13 96-01	COLLAR SCREW	1		

**B** K1250  
K1250 Rail



11

**△ 取扱上のご注意 △**  
 パートナーカッターは、取扱いを誤ると危険を及ぼすことが  
 あります。安全作業のために取扱説明書に従って下さい。  
 ● このパートナーカッターは、以下の使用法、メンテナンス方法、安全法を守り、必ず  
 取扱いに注意して下さい。  
 ● 取扱説明書に従って、パートナーカッターとして設定された状態でのみ使用して下さい。  
 ● 取扱説明書に従って、パートナーカッターに付属の部品を必ず取り付けて下さい。  
 ● 取扱説明書に従って、必ず安全作業、安全作業、安全作業を守り、使用して下さい。  
 ● パートナーカッターは必ず取扱説明書に従って取り付けて下さい。  
 ● 取扱説明書に従って、必ず安全作業、安全作業、安全作業を守り、使用して下さい。  
 ● 取扱説明書に従って、必ず安全作業、安全作業、安全作業を守り、使用して下さい。  
 ● 取扱説明書に従って、必ず安全作業、安全作業、安全作業を守り、使用して下さい。

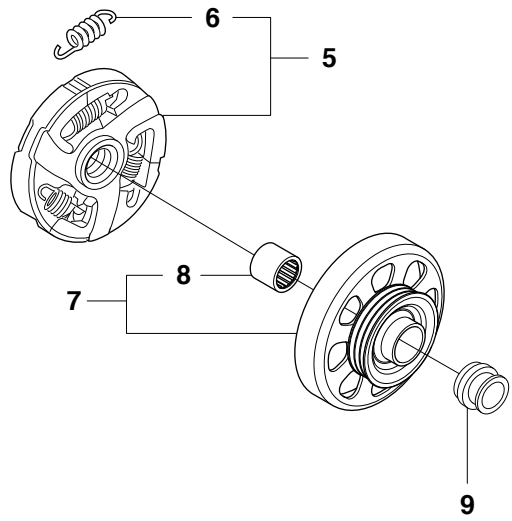
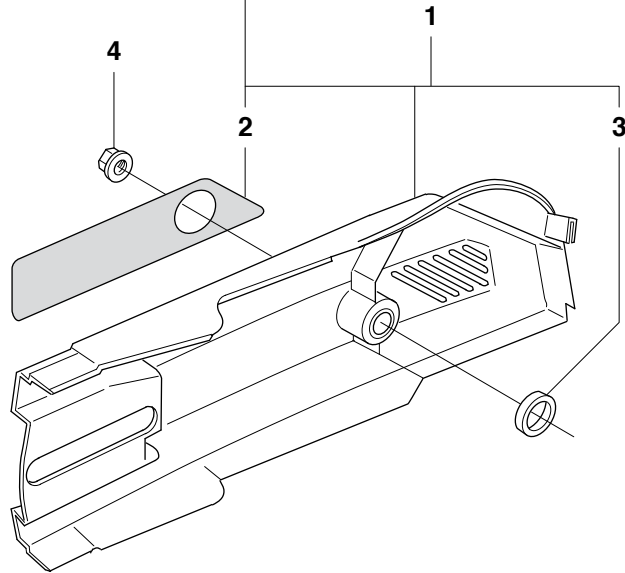
12

Husqvarna

**Page B**  
**K1250, K1250 Rail**

Pos.	Part No.	Description	Quantity	Notes	New Part
1	506 34 05-04	WHEEL GUARD ASSY	1	14"	
1	506 34 05-06	WHEEL GUARD ASSY	1	16"	
1	506 34 05-24	WHEEL GUARD ASSY	1	Rail 14"	
1	506 34 05-26	WHEEL GUARD ASSY	1	Rail 16"	
2	725 53 31-55	SCREW	1		
3	506 34 46-02	HANDLE	1		
4	506 26 63-02	LINING	1		
5	506 26 64-01	SCREEN PATTERN FLANG	1		
6	506 26 65-01	FLANGE	1		
7	725 53 29-55	SCREW	3		
8	506 32 48-01	SUPPORT FLANGE	1	K1250 A	
8	506 26 71-01	SUPPORT FLANGE	1	K1250 Rail	
9	506 02 87-01	FLANGE WASHER	1	Diam 105 mm	
9	506 07 09-01	WASHER	1	Diam 119 mm	
10	506 37 96-20	BUSHING	1	Diam 20 mm	
10	506 37 96-22	BUSHING	1	Diam 22,2 mm	
10	506 37 96-25	BUSHING	1	Diam 25 mm	
10	506 02 88-30	BUSHING	1	Diam 30,5 mm	
11	506 28 41-12	LABEL	1	14". Diam 20mm	
11	506 28 41-11	LABEL	1	14". Diam 22,2 mm	
11	506 28 41-14	LABEL	1	14". Diam 25,4mm	
11	506 28 41-22	LABEL	1	16". Diam 20mm	
11	506 28 41-21	LABEL	1	16". Diam 22,2mm	
11	506 28 41-24	LABEL	1	16". Diam 25,4mm	
12	576 12 10-02	LABEL	1	Japan, 14"	
12	576 12 10-03	LABEL	1	Japan, 16"	

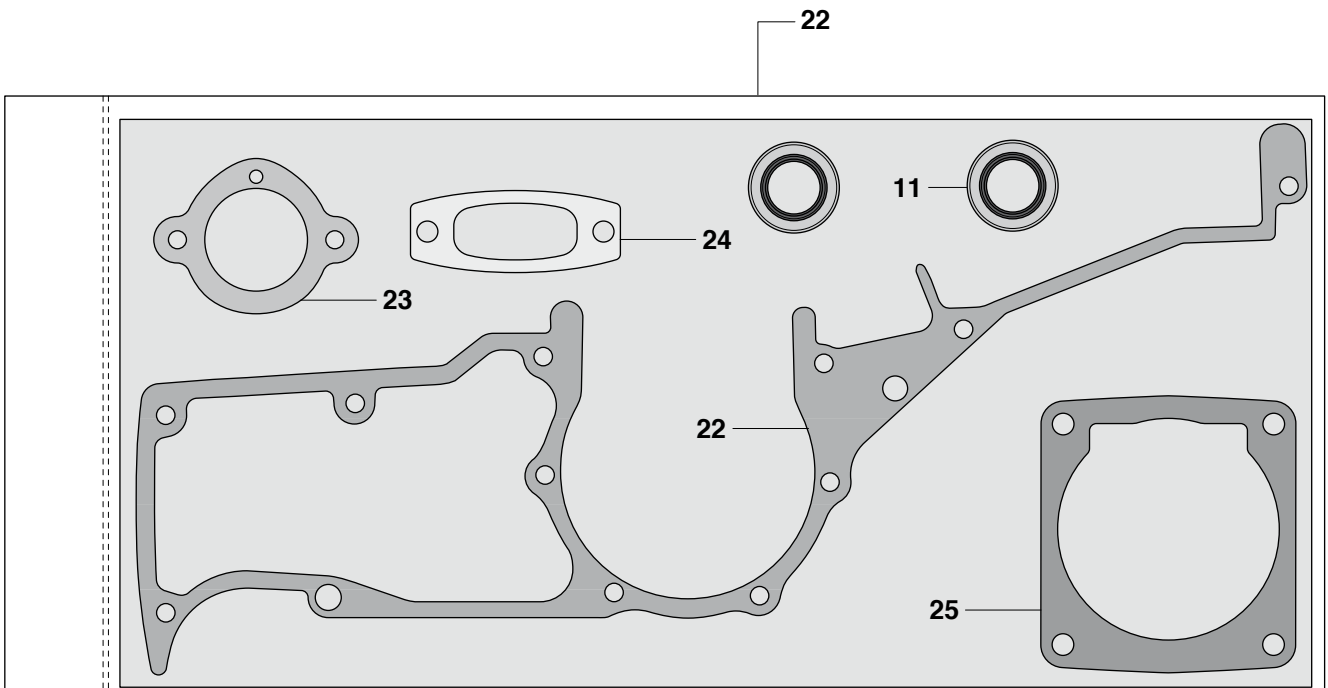
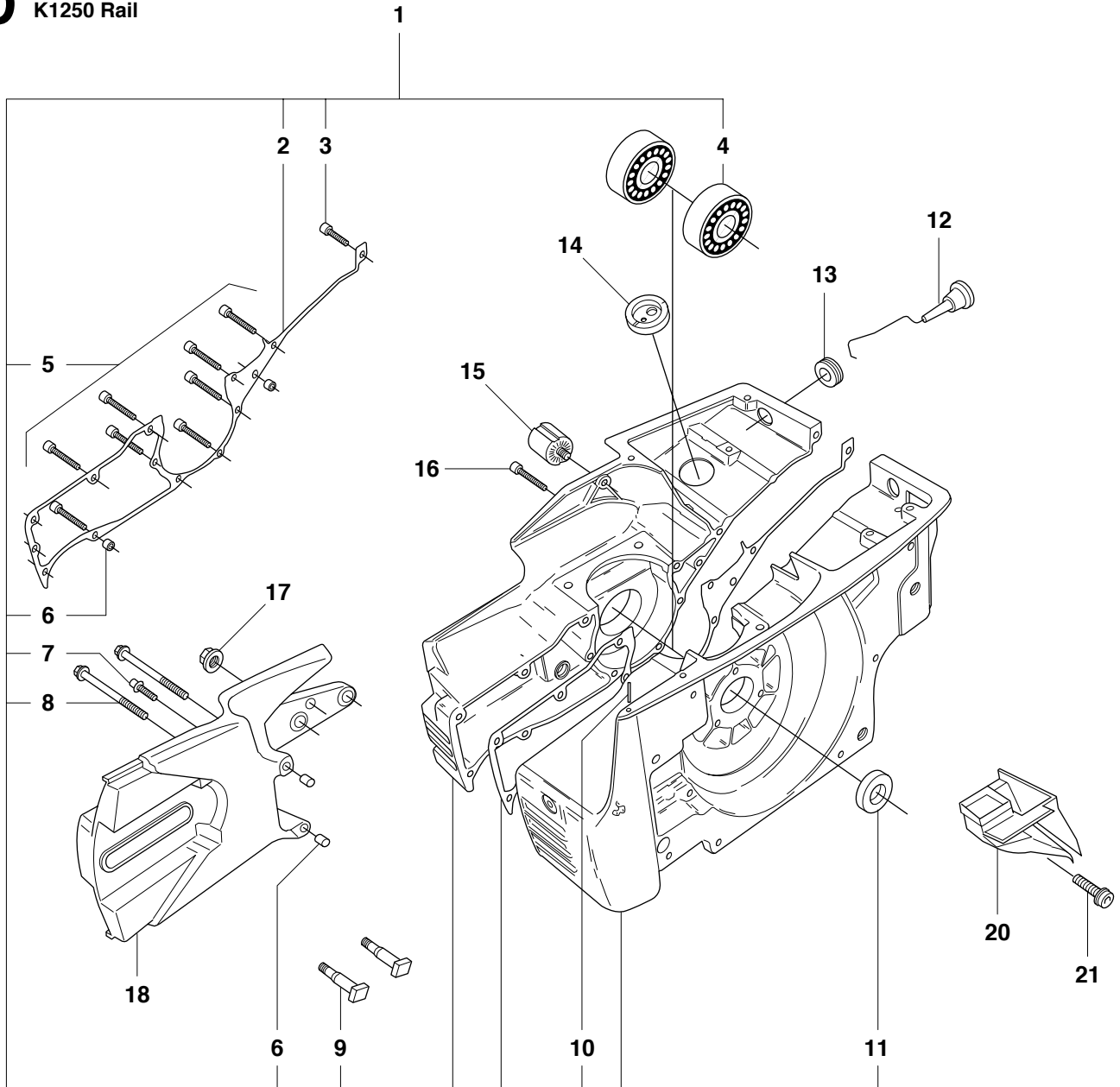
**C** K1250  
K1250 Rail



**Page C****K1250, K1250 Rail**

<b>Pos.</b>	<b>Part No.</b>	<b>Description</b>	<b>Quantity</b>	<b>Notes</b>	<b>New Part</b>
1	506 27 17-03	BELT GUARD	1	Incl. 2, 3	
2	544 87 36-01	LABEL	1		
3	506 26 84-01	SPACING SLEEVE	1		
4	503 22 00-01	NUT FLANGE	1		
5	503 14 49-01	CLUTCH ASSY	1	Incl. 6	
6	503 14 51-01	CLUTCH SPRING	3		
7	540 05 28-01	GEAR WHEEL ASSY	1	14". Incl. 8	
7	540 05 28-03	GEAR WHEEL ASSY	1	16". Incl. 8	
8	503 25 38-01	NEEDLE BEARING	1		
9	506 28 59-01	SPACING SLEEVE	1		

**D** K1250  
K1250 Rail

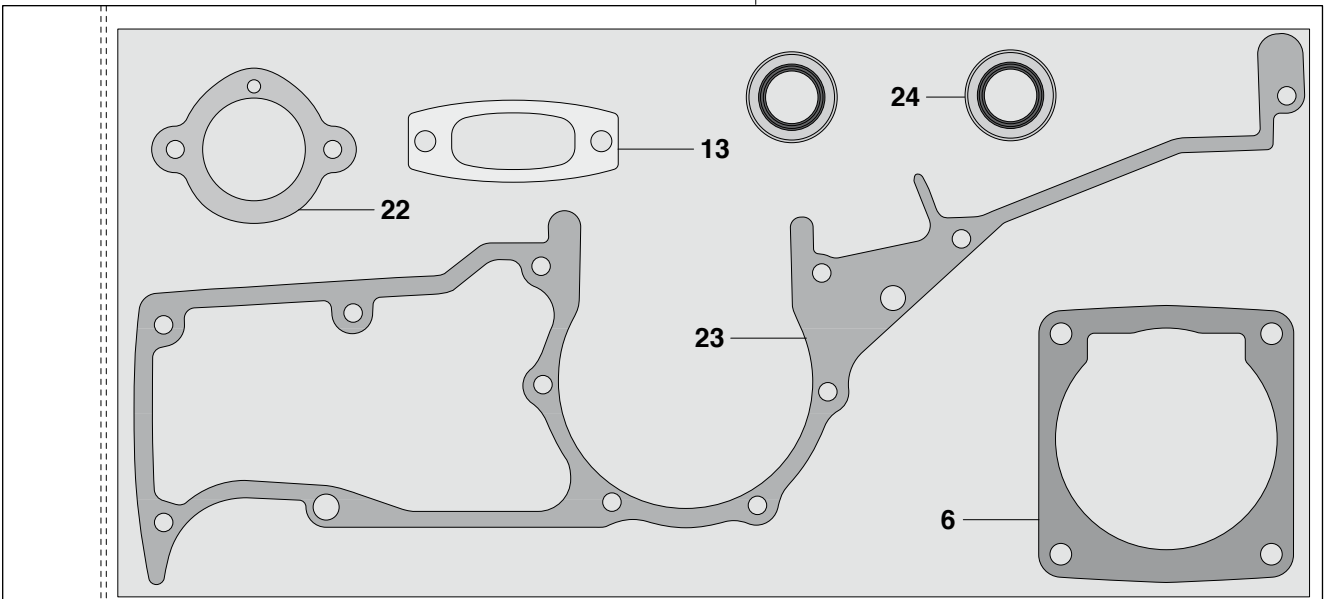
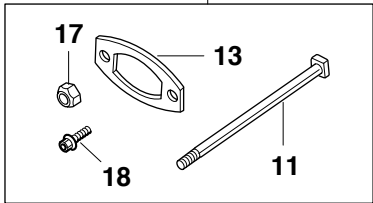
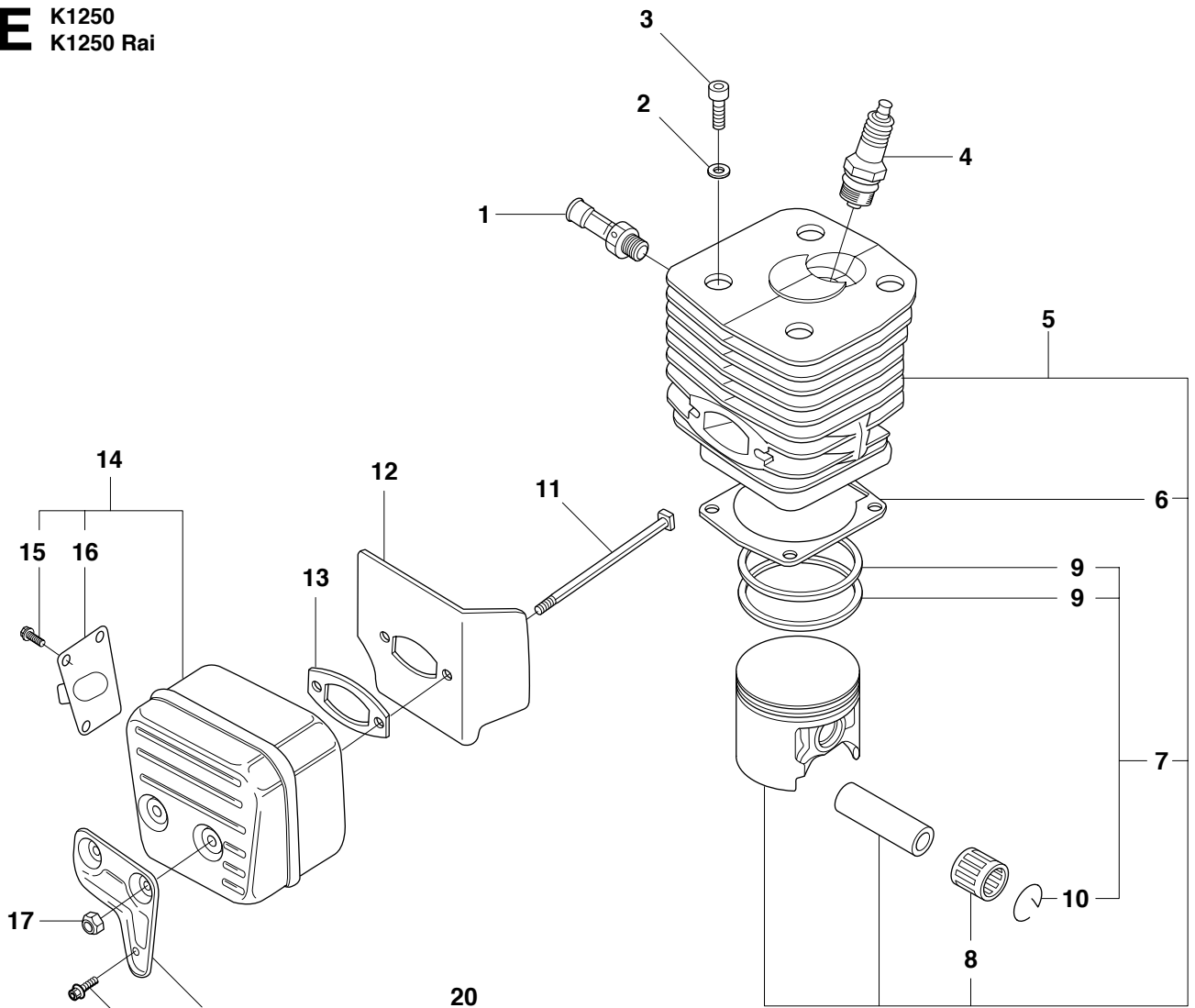




**Page D****K1250, K1250 Rail**

<b>Pos.</b>	<b>Part No.</b>	<b>Description</b>	<b>Quantity</b>	<b>Notes</b>	<b>New Part</b>
1	501 89 25-72	CRANKCASE	1	Incl. 2-11	
2	503 13 45-01	CRANKCASE GASKET	1	Gasket kit 22	
3	725 53 31-55	SCREW	3		
4	503 25 00-02	BALL BEARING	2		
5	725 53 39-55	SCREW	9		
6	501 27 08-01	GUIDE BUSHING	4		
7	503 20 02-20	SCREW	1		
8	503 20 02-65	SCREW	2		
9	501 81 57-01	BAR BOLT	2		
10	721 42 06-00	PIN	1		
11	503 26 02-05	SEALING RING	2	Gasket kit 22	
12	506 25 43-01	CHOKE CONTROL	1		
13	503 14 54-02	GROMMET	1		
14	503 13 20-01	GROMMET	1		
15	501 26 97-04	VIB.INSULATOR	1		
16	725 53 70-55	SCREW	1		
17	503 22 00-01	NUT FLANGE	1		
18	506 24 14-02	CUTTER ARM	1		
20	506 23 70-01	AIR NOZZLE	1		
21	503 20 02-12	SCREW	1		
22	506 29 24-02	GASKET KIT	1		
23	506 27 43-01	GASKET	1		
24	503 13 13-04	GASKET MUFFLER	1		
25	503 13 46-01	GASKET	1		

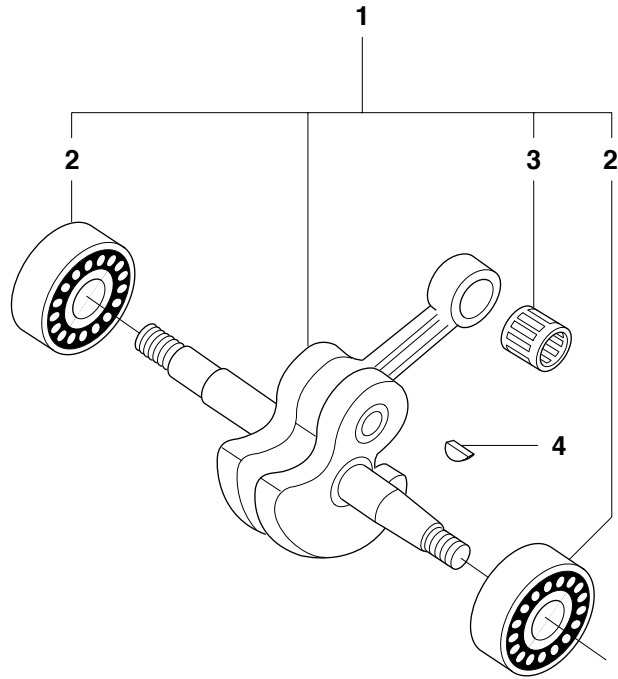
**E** K1250  
K1250 Rai



**Page E****K1250, K1250 Rail**

<b>Pos.</b>	<b>Part No.</b>	<b>Description</b>	<b>Quantity</b>	<b>Notes</b>	<b>New Part</b>
1	503 66 56-01	DECOMPRESSION VALVE	1		
2	503 23 00-05	WASHER STEEL	4		
3	503 21 60-25	SCREW	4		
4	503 23 51-09	SPARK PLUG	1	RCJ 6Y	
5	506 29 42-71	CYLINDER	1	Incl. 6 - 8	
6	503 13 46-01	GASKET	1	Gasket kit 21	
7	501 89 41-03	PISTON CPL	1	Incl. 9 - 10	
8	503 13 29-01	NEEDLE BEARING	1		
9	503 28 90-26	PISTON RING	2		
11	737 44 13-00	CIRCLIP	2		
11	503 21 64-01	SCREW	2		
12	506 34 14-01	COOLING PLATE	1		
13	503 13 13-04	GASKET MUFFLER	1	Gasket kit 21	
14	503 13 00-04	MUFFLER	1	Incl. 15 - 16	
15	729 53 40-01	SCREW	4		
16	506 27 49-01	EXHAUST DUCT	1		
17	503 22 20-07	LOCK NUT	2		
18	725 53 68-55	SCREW	1		
19	506 27 87-01	MUFFLER SUPPORT	1		
20	505 25 96-04	ASSAMBLY KIT MUFFLER	1	Incl. 11, 13, 17, 18	New Part
21	506 29 24-02	GASKET KIT	1	Incl. 6, 13, 22 - 24	
22	506 27 43-01	GASKET	1		
23	503 13 45-01	CRANKCASE GASKET	1		
24	503 26 02-05	SEALING RING	2		

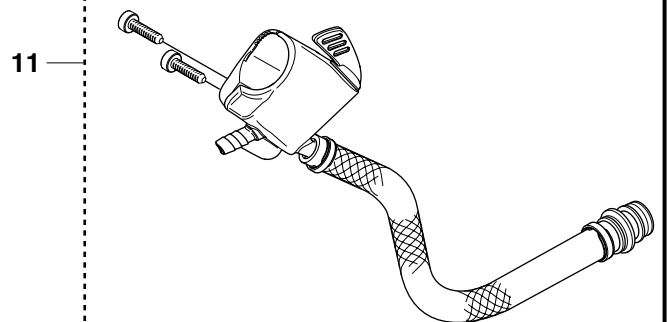
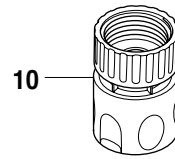
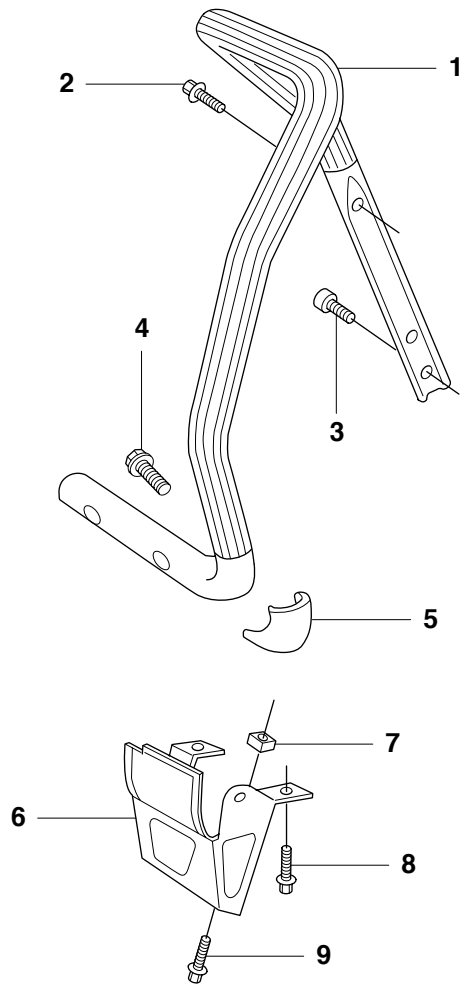
**F** K1250  
K1250 Rail



**Page F**  
**K1250, K1250 Rail**

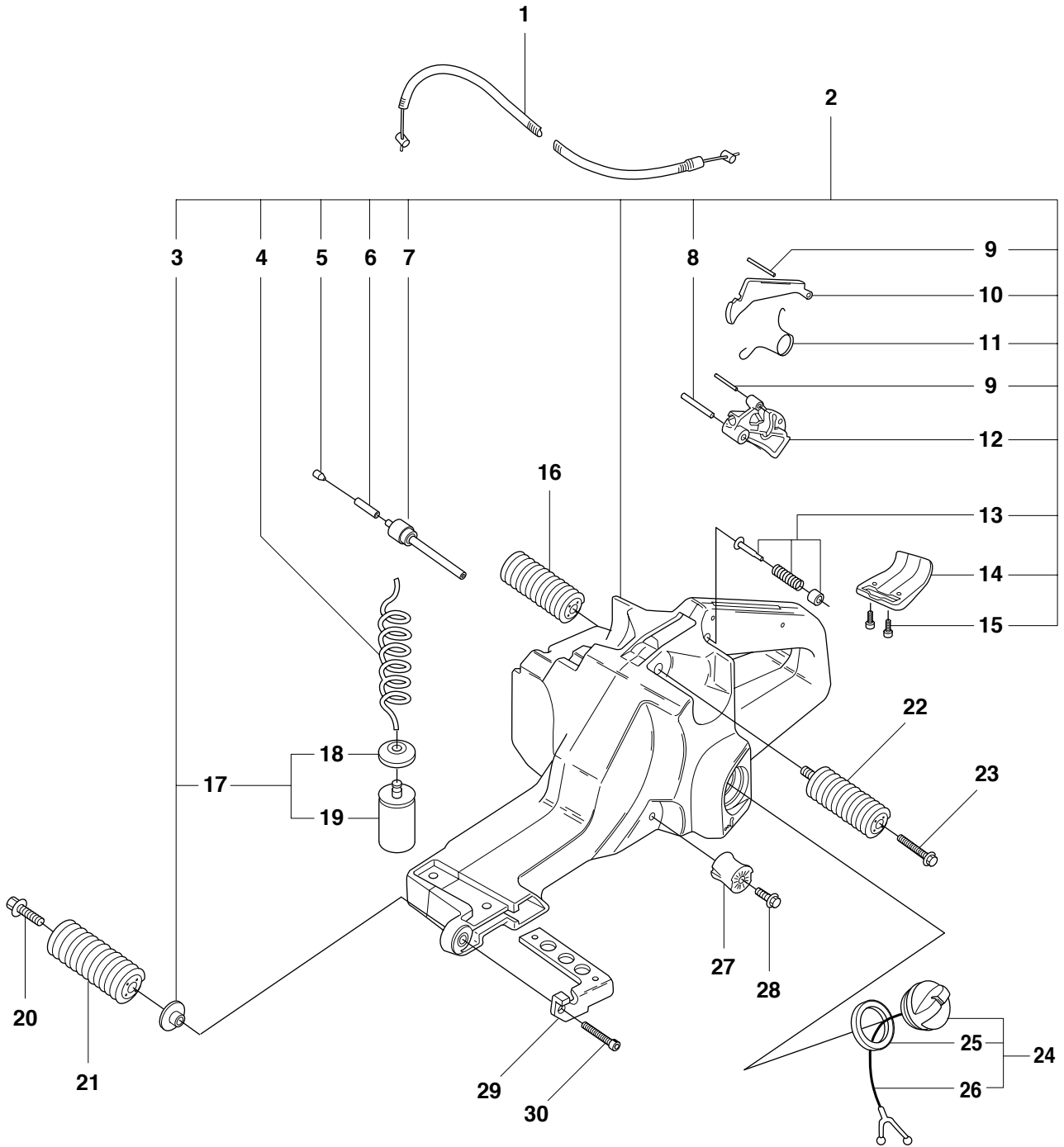
<b>Pos.</b>	<b>Part No.</b>	<b>Description</b>	<b>Quantity</b>	<b>Notes</b>	<b>New Part</b>
1	503 14 20-74	CRANKSHAFT ASSY	1	Incl. 2, 3	New Part
2	503 25 00-02	BALL BEARING	2		
3	503 13 29-01	NEEDLE BEARING	1		
4	735 88 06-00	WOODRUFF KEY	1		

**G** K1250  
K1250 Rail



**Page G****K1250, K1250 Rail**

<b>Pos.</b>	<b>Part No.</b>	<b>Description</b>	<b>Quantity</b>	<b>Notes</b>	<b>New Part</b>
1	506 25 53-02	HANDLE	1		
2	503 20 02-10	SCREW	1		
3	503 21 05-25	SCREW	2		
4	503 21 06-32	SCREW	4		
5	506 14 90-01	SUPPORT	1		
6	506 25 01-01	GROUND SUPPORT	1		
7	503 22 65-04	NUT	2		
8	725 53 70-55	SCREW	2		
9	503 20 03-12	SCREW	2		
10	503 26 60-03	COUPLER	1	USA, Canada	New Part
10	503 26 60-04	COUPLER	1		New Part
11	505 09 55-02	HOSE KIT	1		

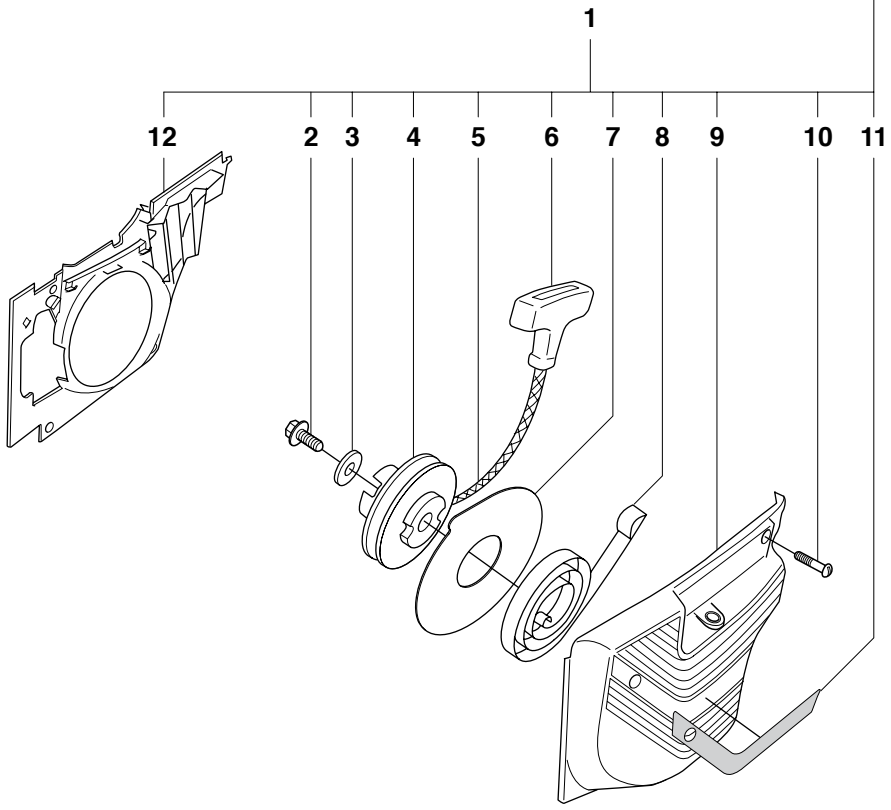
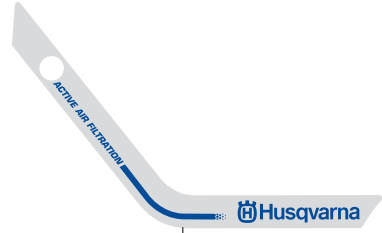




**Page H**  
**K1250, K1250 Rail**

Pos.	Part No.	Description	Quantity	Notes	New Part
1	506 28 98-01	THROTTLE WIRE	1		
2	503 14 21-06	TANK UNIT ASSY	1	Incl. 3 - 15, 17	
3	503 14 08-01	BUSHING	1		
4	503 57 76-02	FUEL HOSE	1		
5	504 35 72-01	SINTER PLUG	1		
6	501 76 83-04	FUEL HOSE	1		
7	506 29 39-01	TANK WENT	1		
8	720 12 78-06	PIN	1		
9	720 12 40-20	PARALLEL PIN	1		
10	503 13 16-01	THROTTLE LOCKOUT	1		
11	503 13 18-01	SPRING	1		
12	503 13 36-01	THROTTLE LEVER	1		
13	503 14 23-01	THROTTLE CATCH	1		
14	506 23 34-01	SUPPORT	1		
15	503 21 45-16	SCREW	2		
16	503 13 26-01	AV-ELEMENT	1		
17	506 26 41-11	FUEL FILTER	1	Incl. 18, 19	
18	506 27 11-01	HOSE CLAMP	1		
19	506 26 41-01	FUEL FILTER	1		
20	503 20 02-25	SCREW	1		
21	503 13 27-01	AV-ELEMENT	1		
22	503 13 25-01	AV-ELEMENT	1		
23	725 53 68-55	SCREW	2		
24	506 25 59-03	TANK CAP ASSY	1	Incl. 25, 26	
25	506 29 21-01	GASKET	1		
26	503 57 89-01	HOLDER	1		
27	501 81 47-01	ANTIVIBRATIONS ELEME	1		
28	503 20 02-12	SCREW	1		
29	503 14 05-01	STIFFENING PLATE	1		
30	503 20 02-30	SCREW	1		

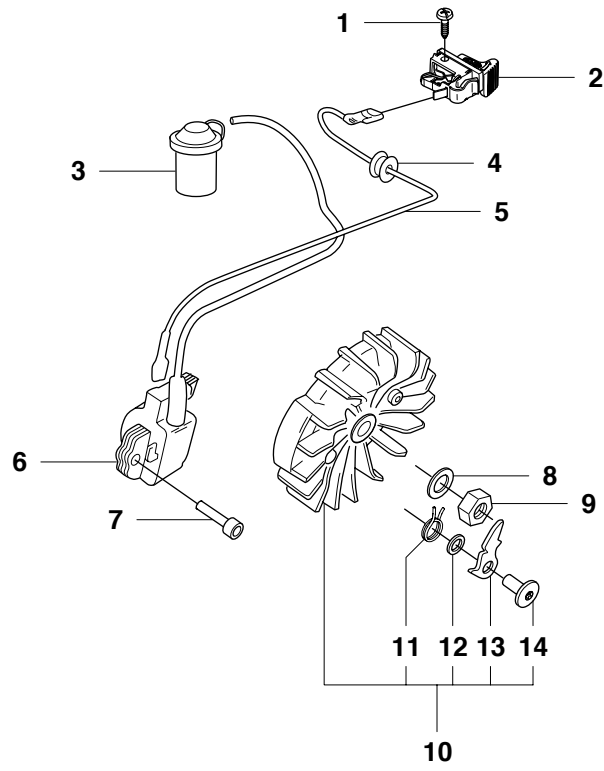
**J** K1250  
K1250 Rail



**Page J**  
**K1250, K1250 Rail**

<b>Pos.</b>	<b>Part No.</b>	<b>Description</b>	<b>Quantity</b>	<b>Notes</b>	<b>New Part</b>
1	506 27 55-03	STARTER	1	Incl. 2-12	New Part
2	503 21 06-16	SCREW	1		
3	503 23 43-02	WASHER	1		
4	501 89 67-01	STARTER PULLEY	1		
5	506 33 56-25	STARTER CORD	1		
6	503 12 79-01	STARTER HANDLE	1		
7	503 74 36-01	DISC	1		
8	503 13 50-01	RECOIL SPRING ASSY	1		
9	506 25 58-02	STARTER COVER	1		
10	503 20 34-25	SCREW	4		
11	544 87 35-01	LABEL	1		
12	501 89 59-02	AIR CONDUCTOR	1	K1250 A	
12	501 89 59-03	AIR CONDUCTOR	1	K1250 Rail Stop Switch	

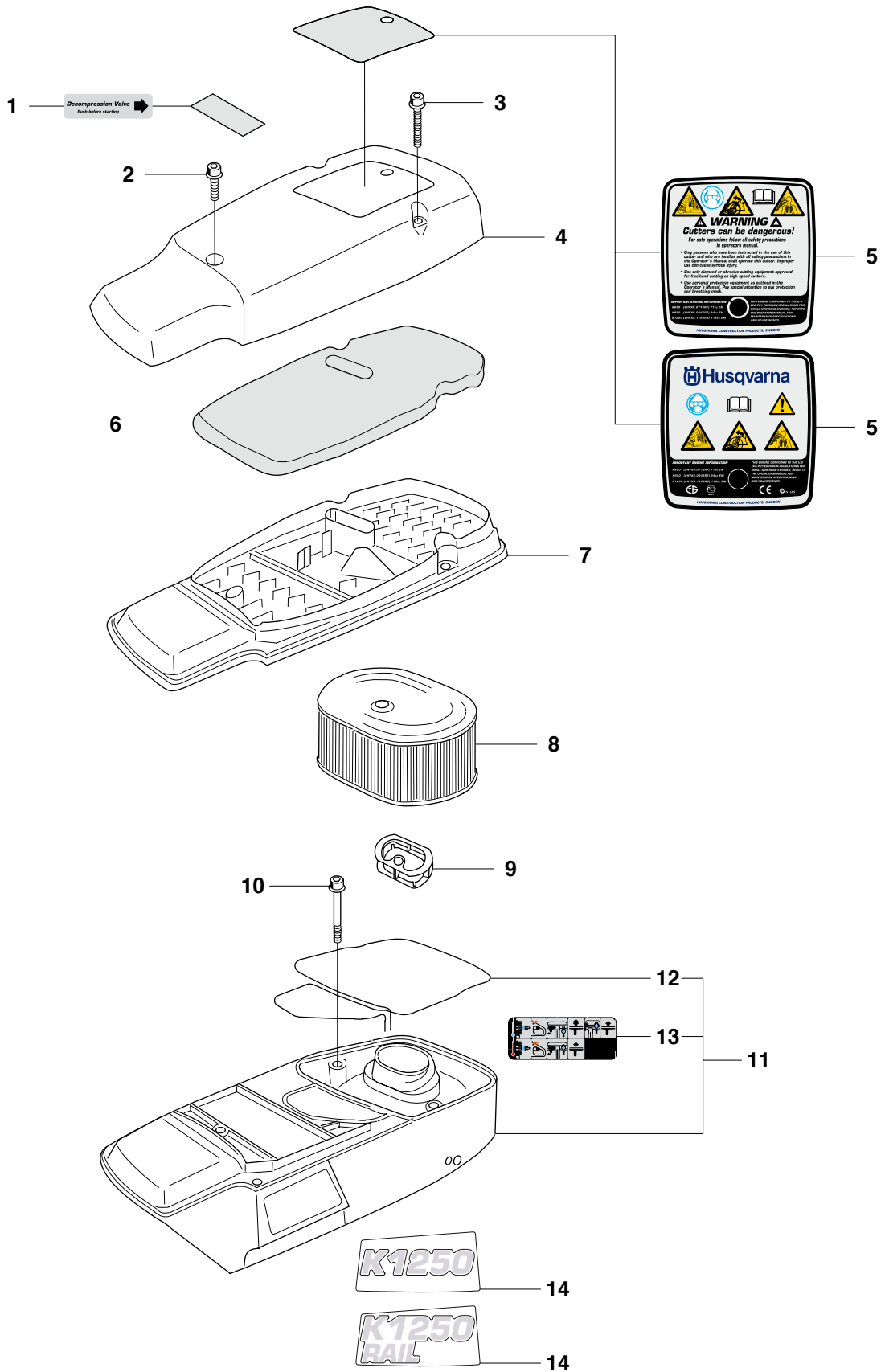
**K** K1250  
K1250 Rail



**Page K**  
**K1250, K1250 Rail**

<b>Pos.</b>	<b>Part No.</b>	<b>Description</b>	<b>Quantity</b>	<b>Notes</b>	<b>New Part</b>
1	503 21 90-08	SCREW	1		
2	506 31 86-02	STOP SWITCH	1		
3	501 48 54-02	SPARK PLUG CAP	1		
4	503 13 24-01	CABLE GROMMET	1		
5	501 83 98-03	CABLE	1		
6	544 01 88-01	IGNITION SYSTEM	1		
7	503 20 25-20	SCREW	1		
8	735 11 73-50	SPRING WASHER	1		
9	503 22 10-03	NUT	1		
10	501 89 50-03	FLYWHEEL ASSY	1	Incl. 11 - 14	
11	501 63 48-01	SPRING	2		
12	503 23 00-42	WASHER STEEL	2		
13	501 67 32-03	PAWL	2		
14	501 81 99-01	SCREW	2		

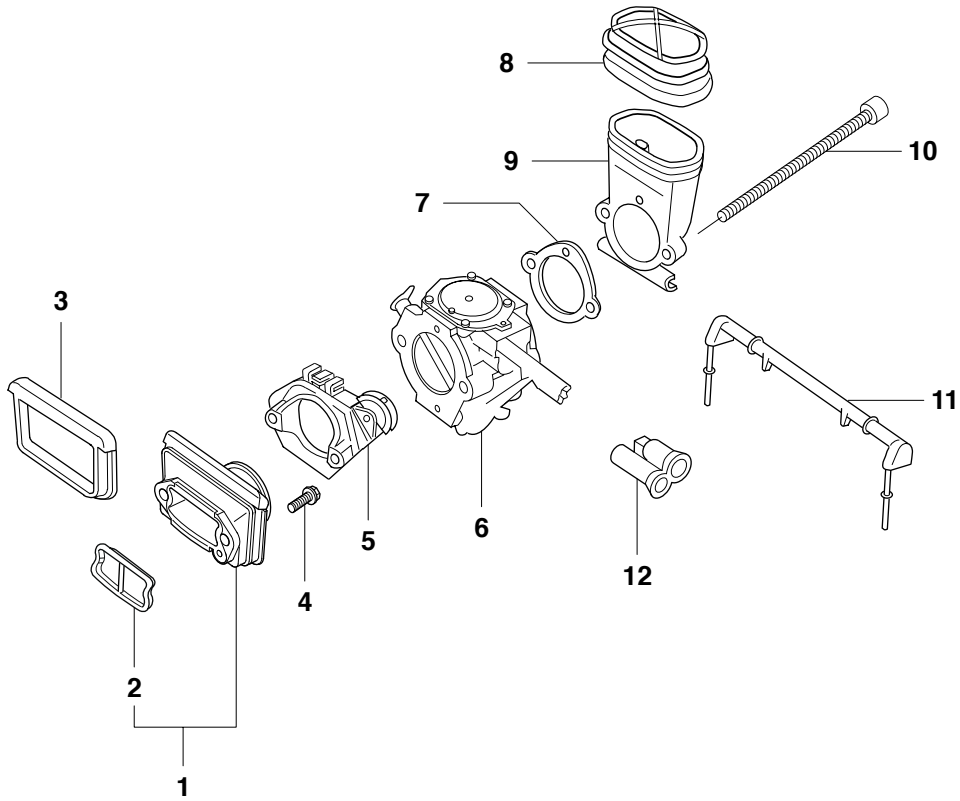
**L** K1250  
K1250 Rail



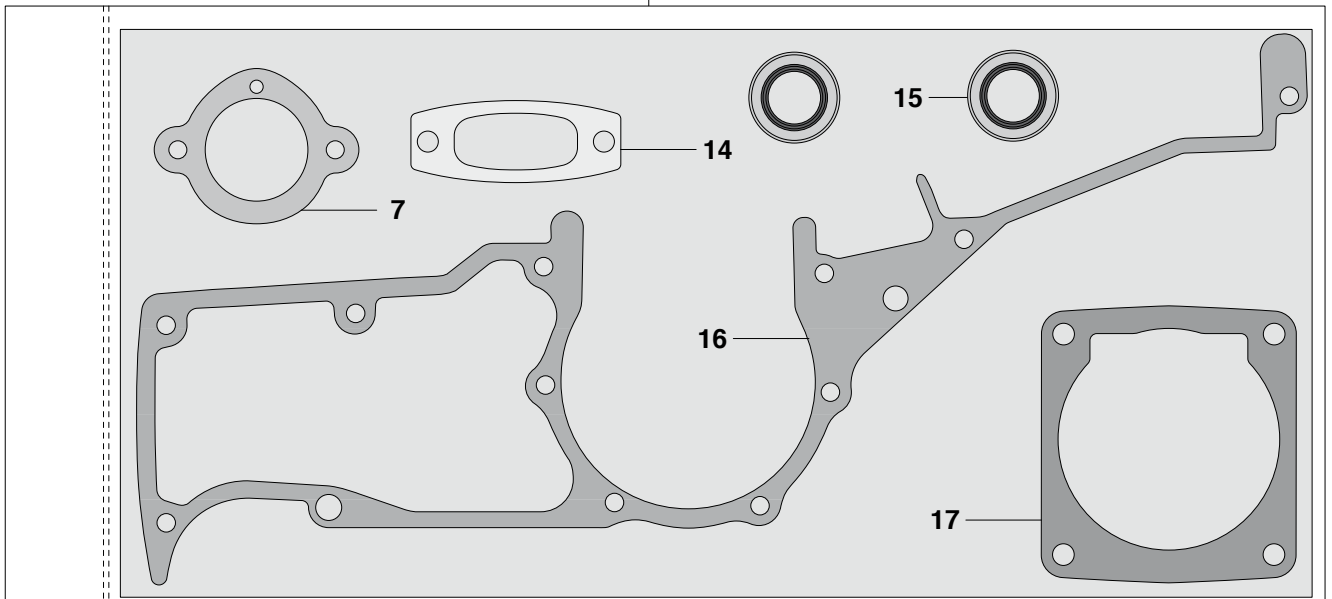
**Page L**  
**K1250, K1250 Rail**

<b>Pos.</b>	<b>Part No.</b>	<b>Description</b>	<b>Quantity</b>	<b>Notes</b>	<b>New Part</b>
1	544 87 46-02	LABEL	1		
2	503 20 34-25	SCREW	1		
3	503 20 34-55	SCREW	2		
4	506 25 56-02	FILTER COVER	1		
5	505 03 89-03	LABEL	1	EPA USA	New Part
5	505 03 89-04	LABEL	1	EPA Canada	New Part
6	506 26 87-01	PREFILTER	1		
7	506 25 57-02	FILTER BOTTOM	1		
8	506 23 18-03	AIR FILTER	1		
9	506 25 03-01	INSERT	1		
10	503 20 02-30	SCREW	4		
11	506 27 54-02	CYLINDER COVER	1	Incl. 12 - 13	
12	506 28 39-30	SEALING	1		
13	544 87 38-01	LABEL	1		
14	544 87 39-03	LABEL	1	K1250	New Part
14	544 87 39-04	LABEL	1	K1250 Rail	New Part

**M** K1250  
K1250 Rail



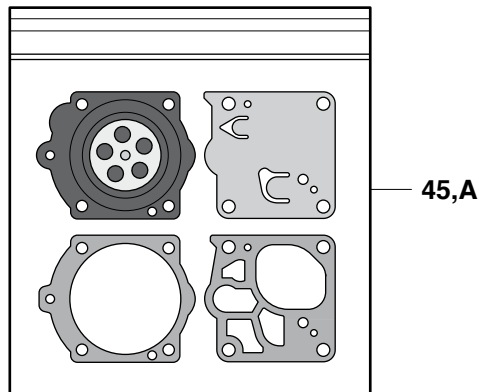
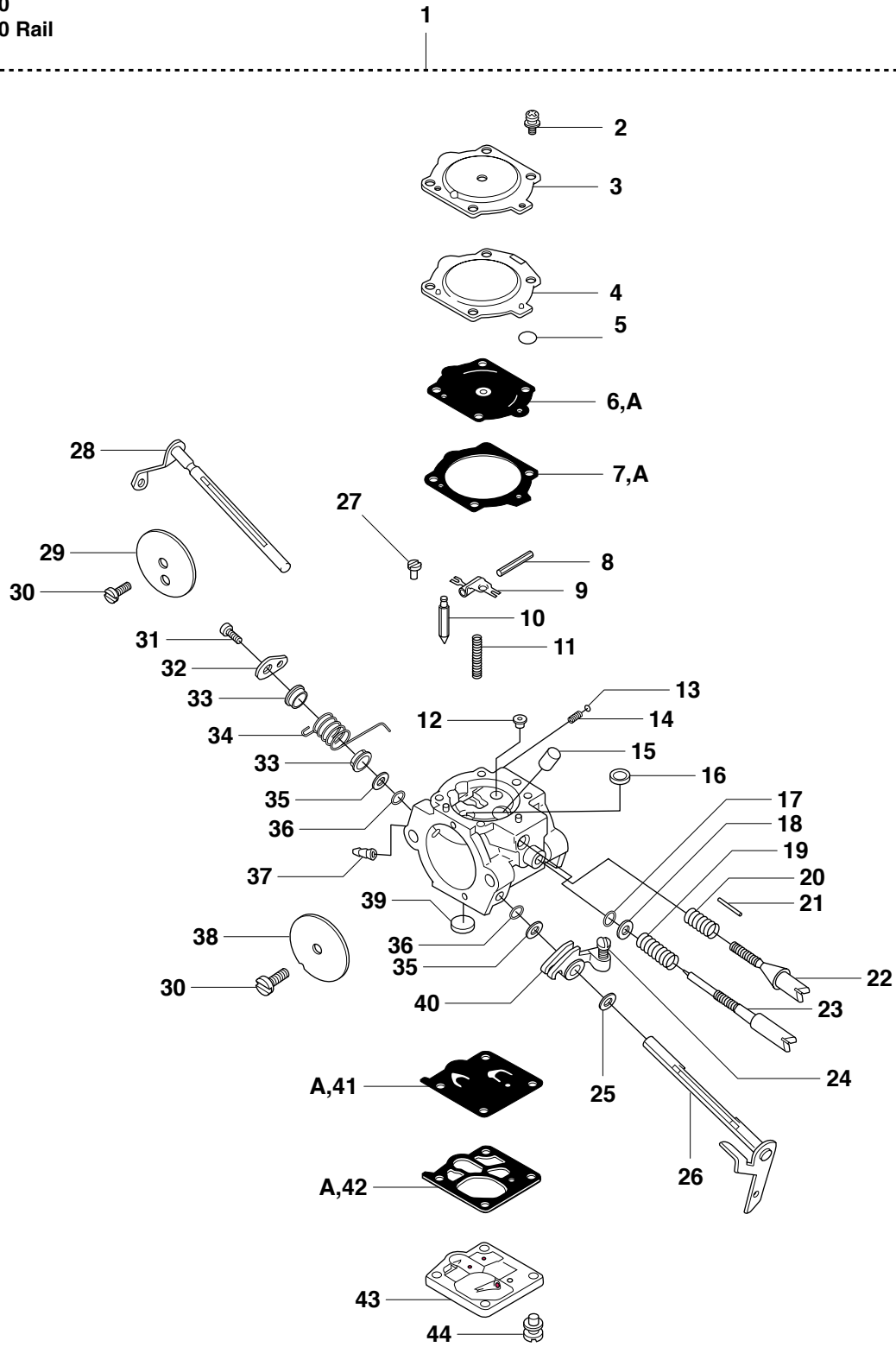
13





**Page M**  
**K1250, K1250 Rail**

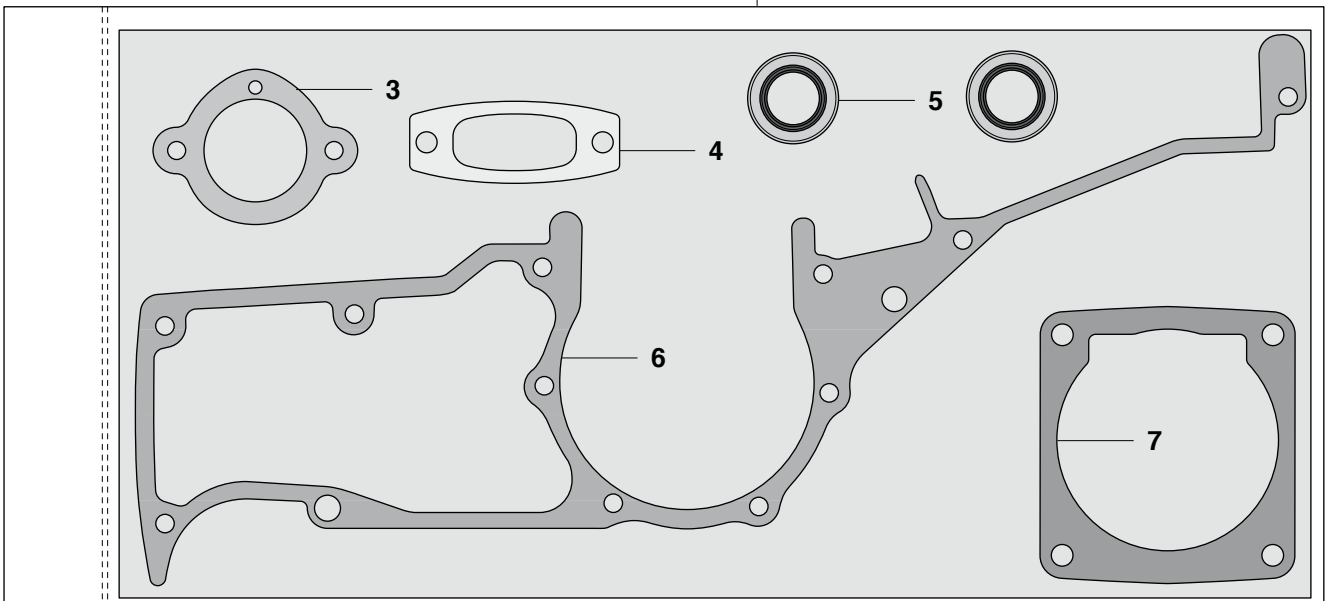
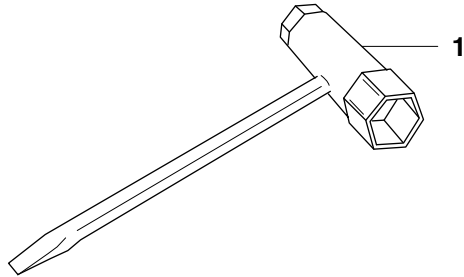
Pos.	Part No.	Description	Quantity	Notes	New Part
1	506 27 52-02	FLANGE	1	Incl. 2	New Part
2	506 31 38-01	INSERT	1		
3	503 14 37-01	SEALING	1		
4	503 20 02-20	SCREW	1		
5	506 28 97-01	FLANGE	1		
6	503 28 12-17	CARBURETTOR	1		
7	506 27 43-01	GASKET	1	Gasket kit 13	
8	506 25 02-01	BELLOWS	1		
9	506 24 13-01	INLET BEND	1		
10	503 21 75-65	SCREW	2		
11	506 25 04-01	SUPPORT	1		
12	506 25 46-01	CHISEL GUIDE	1		
13	506 29 24-02	GASKET KIT	1	Incl. 7, 14 - 17	
14	503 13 13-04	GASKET MUFFLER	1		
15	503 26 02-05	SEALING RING	2		
16	503 13 45-01	CRANKCASE GASKET	1		
17	503 13 46-01	GASKET	1		



**Page N**  
**K1250, K1250 Rail**

Pos.	Part No.	Description	Quantity	Notes	New Part
1	503 28 12-17	CARBURETTOR	1		
2	537 00 31-01	SCREW	1		
3	501 69 28-01	COVER-METERING DIAPH	1		
4	537 00 29-01	COVER	1		
5	537 00 28-01	RING	1		
6	503 63 28-01	DIAPHRAGM ASSY METER	1	Kit 45	
7	501 46 75-01	GASKET-METERING DIAP	1	Kit 45	
8	505 31 67-31	PIN-METERING LEVER	1		
9	505 31 67-34	LEVER-METERING	1		
10	503 56 34-01	VALVE INLET NEEDLE	1		
11	505 31 67-23	SPRING-METER.LEVER	1		
12	574 03 94-01	JET	1		New Part
13	501 46 85-01	BALL-CHOKE FRICTION	1		
14	501 46 84-01	SPRING-CHOKE FRICT.	1		
15	503 97 66-01	NOZZLE ASSY	1		
16	503 57 42-01	PLUG-WELCH	1		
17	503 59 55-01	O-RING	1		
18	503 59 72-01	WASHER	1		
19	505 31 67-37	SPRING-NEEDLE	1		
20	503 63 31-01	SPRING	1		
21	503 52 60-01	PIN THROTTLE STOP	1		
22	503 63 29-01	SCREW IDLE SPEED	1		
23	503 63 32-01	NEEDLE IDLE SPEED	1		
24	503 59 65-01	SCREW	1		
25	506 02 83-01	WASHER	1		
26	503 59 59-01	SHAFT ASS'Y THROTTLE	1		
27	505 31 67-17	SCREW-LEVER PIN	1		
28	537 00 30-01	SHAFT ASS'Y	1		
29	503 52 58-01	VALVE CHOKE	1		
30	530 03 50-15	SCREW-VALVE	2		
31	503 19 22-01	SCREW PAN HD(M2.5x5)	1		
32	503 59 56-01	LEVER THROTTLE	1		
33	502 10 31-01	BUSHING-THROTT.SPR.	2		
34	503 52 59-01	SPRING THROTT RETURN	1		
35	505 31 67-48	WASHER	2		
36	503 56 45-01	SEAL-THROTTLE SHAFT	2		
37	503 59 84-01	FITTING FUEL INLET	1		
38	503 63 24-01	VALVE THROTTLE	1		
39	501 66 61-01	SCREEN-INLET	1		
40	503 59 57-01	LEVER THROTTLE INNER	1		
41	503 11 73-01	DIAPHRAGM-PUMP	1	Kit 45	
42	503 11 72-01	GASKET-PUMP	1	Kit 45	
43	503 59 58-01	COVER-PUMP	1		
44	503 11 75-01	SCREW-PUMP COVER	1		
45	503 59 74-02	GASKET KIT	1		

**P** K1250  
K1250 Rail  
**Accessories**  
**Zubehöre**  
**Accessoires**  
**Accesorios**  
**Tillbehör**



**Page P**  
**K1250, K1250 Rail**

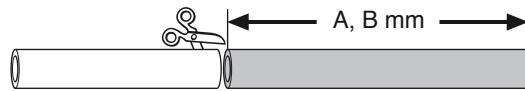
<b>Pos.</b>	<b>Part No.</b>	<b>Description</b>	<b>Quantity</b>	<b>Notes</b>	<b>New Part</b>
1	501 69 17-02	COMBINATION TOOL	1		
2	506 29 24-02	GASKET KIT	1		
3	506 27 43-01	GASKET	1		
4	503 13 13-04	GASKET MUFFLER	1		
5	503 26 02-05	SEALING RING	2		
6	503 13 45-01	CRANKCASE GASKET	1		
7	503 13 46-01	GASKET	1		



**Page Q**

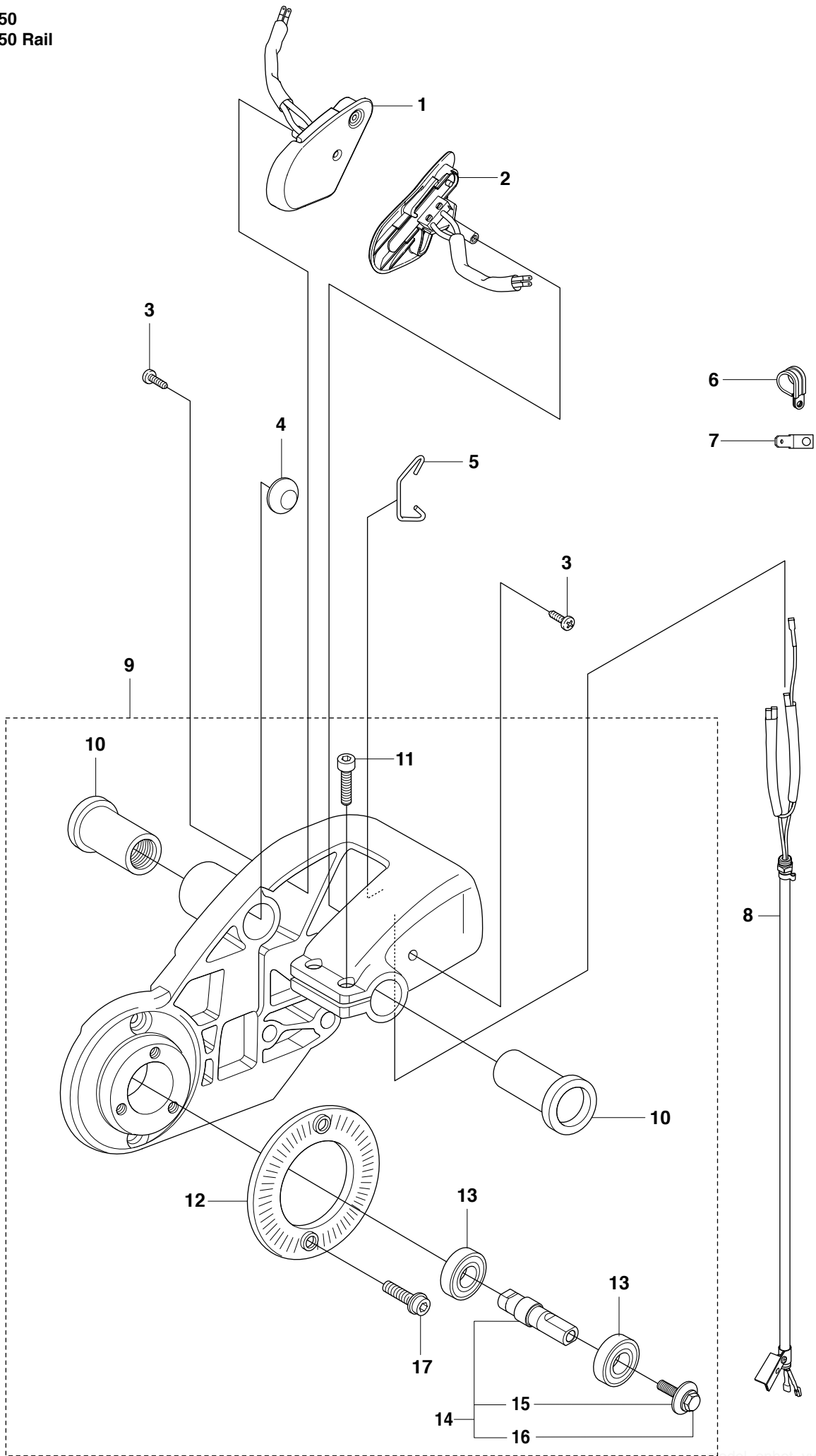
**K1250, K1250 Rail**

Pos.	Part No.	Description	Quantity	Notes	New Part
1	505 09 55-02	HOSE KIT	1	Incl. 2, 5 - 7	New Part
2	506 29 57-02	NIPPLE	1	Incl. 3, 4	New Part
3	506 29 88-01	FILTER	1		
4	505 10 35-01	O-RING	1		
5	506 49 87-02	HOSE CLAMP	1		
6	506 60 75-01	HOSE	1	L=230 mm	
7	506 31 77-31	VALVE ASSY	1	Incl. 8	
8	576 03 29-01	VALVE SPINDLE	1		New Part
9	503 21 06-19	SCREW	2		
10	506 35 27-01	PROTECTIVE SPRING	1		
11	505 09 54-01	HOSE KIT	1		
12	506 49 87-01	HOSE CLAMP	4		New Part
13	506 60 68-66	HOSE	1	L=720 mm	New Part
14	504 63 46-01	SCREW	2		New Part
15	504 63 44-01	HOUSING	1		New Part
16	504 63 42-01	NIPPLE	2		New Part
17	504 63 45-01	HOUSING	1		New Part
18	503 26 60-03	COUPLER	1	USA, Canada	New Part
18	503 26 60-04	COUPLER	1		New Part



	A (mm)	B (mm)	C (mm)
<b>K1250A 14"</b>	205	360	75
<b>K1250A 16"</b>	230	360	75

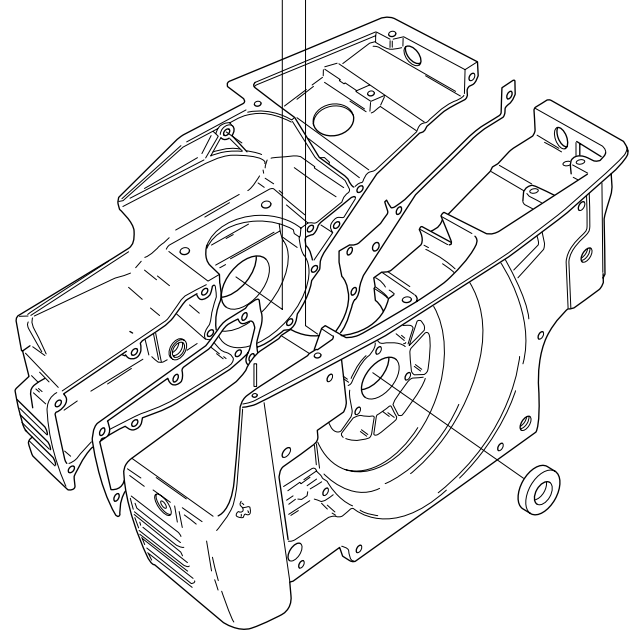
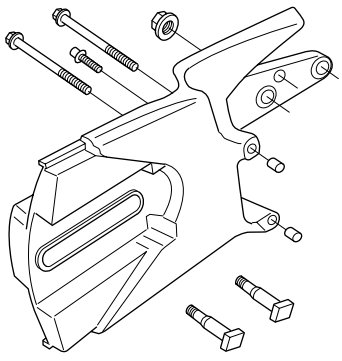
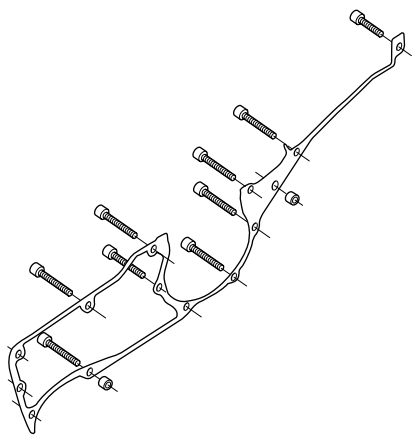
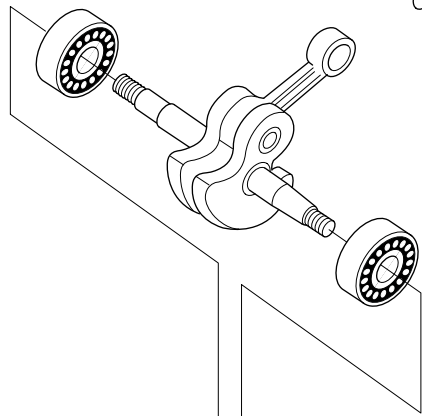
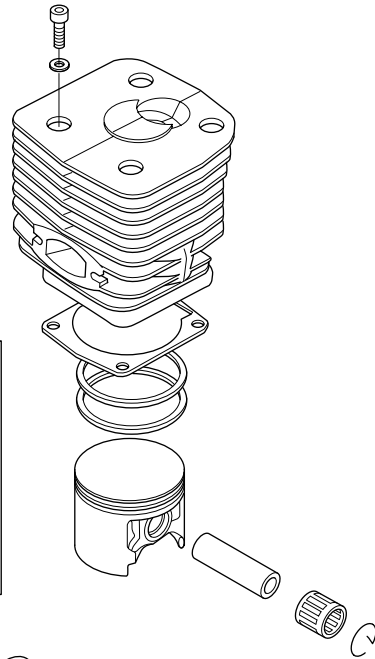
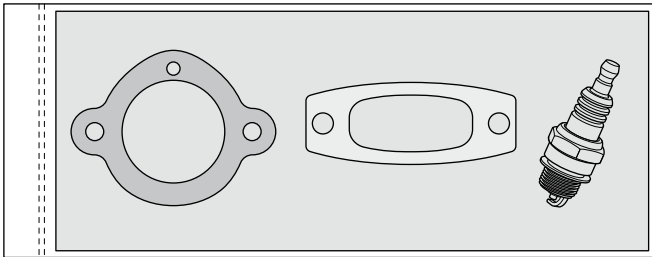
**R** K1250  
K1250 Rail





**Page R**  
**K1250, K1250 Rail**

<b>Pos.</b>	<b>Part No.</b>	<b>Description</b>	<b>Quantity</b>	<b>Notes</b>	<b>New Part</b>
1	506 35 91-04	STOP SWITCH	1	RH	New Part
2	506 35 91-03	STOP SWITCH	1	LH	New Part
3	729 53 27-71	SCREW	2		
4	506 35 96-01	SPACING BLOCK	1		
6	506 35 80-01	BRACKET	1		
7	535 03 94-01	CONNECTION PLATE	1		
8	506 35 90-01	WIRING	1		
9	544 88 75-01	BEARING HOUSING	1	14" Rail	
9	544 88 75-02	BEARING HOUSING	1	14" Rail Stop Switch, Incl. 10 - 14	New Part
9	544 88 75-03	BEARING HOUSING	1	16" Rail	
9	544 88 75-04	BEARING HOUSING	1	16" Rail Stop Switch, Incl. 10 - 14	New Part
9	544 88 75-11	BEARING HOUSING	1	16" Rail, USA only	New Part
10	506 22 75-01	SLEEVE	2		
11	503 20 02-16	SCREW	2		
12	506 28 84-01	SCREEN PATTERN FLANG	1		
13	503 25 21-01	BALL BEARING	2		
14	506 29 83-65	SHAFT	1	Incl. 15 - 16	New Part
15	506 13 95-11	WASHER	1		
16	506 13 96-01	COLLAR SCREW	1		
17	503 20 07-12	SCREW	1		



**Page S**

**K1250, K1250 Rail**

<b>Pos.</b>	<b>Part No.</b>	<b>Description</b>	<b>Quantity</b>	<b>Notes</b>	<b>New Part</b>
1	544 90 44-03	SHORT BLOCK	1		