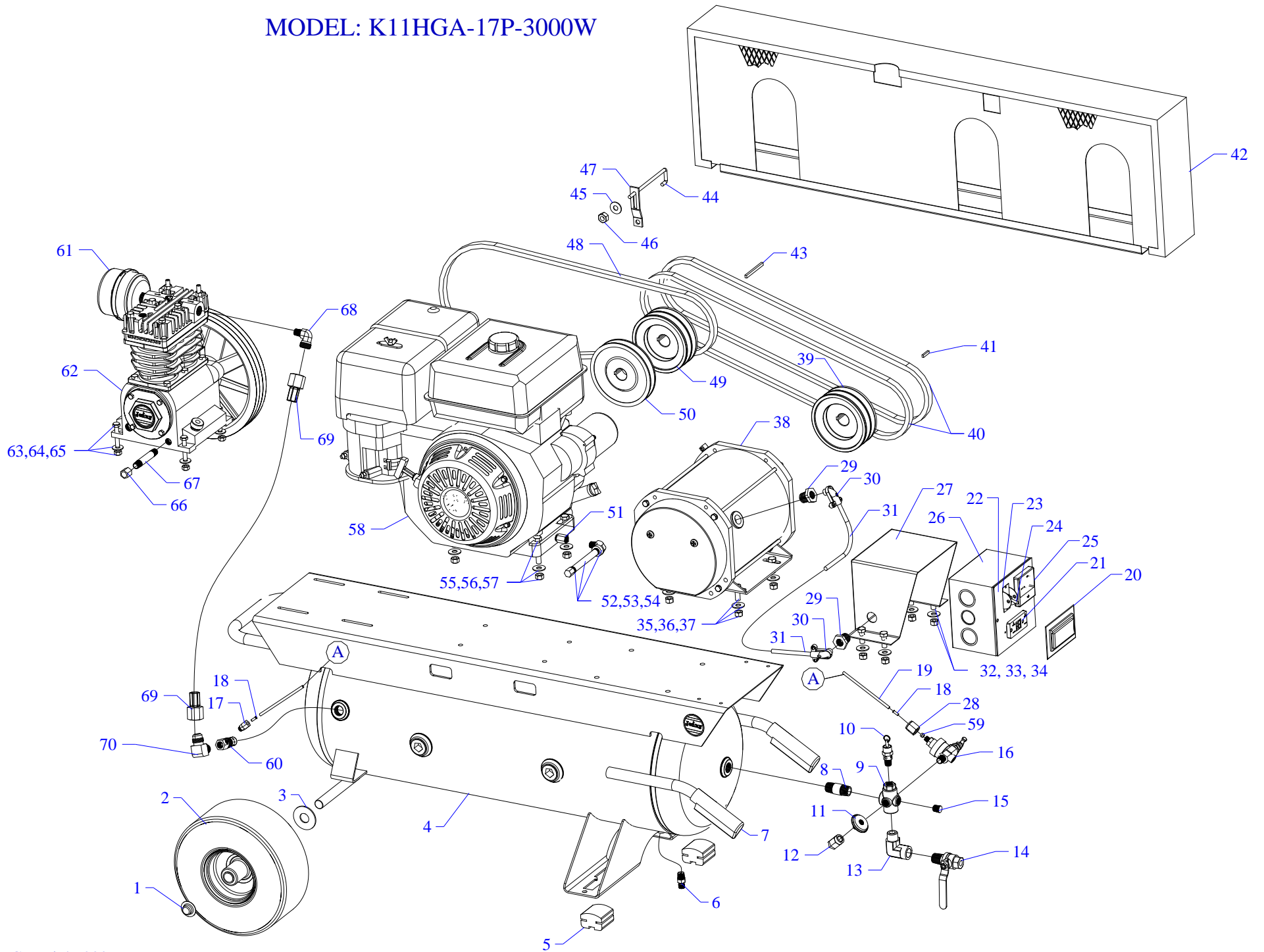


MODEL: K11HGA-17P-3000W



Parts List for Model K11HGA-17P-3000W

NOTE: The quantity number indicates the total number of pieces required for a complete unit repair.
When ordering parts give compressor model, serial number and part number. Order assemblies when possible.

<u>REF. NO.</u>	<u>PART NO.</u>	<u>DESCRIPTION</u>	<u>QTY.</u>
1	120-1257	NUT,PAL,ST,PL,3/4"	2
2	JP2643-F	WHEEL,PNEUMATIC,10"ODX3/4"ID,BALLBRNG	2
3	JP2036-03	WASHER,STEEL,3/4ID,SAE	2
4	411-1133	TANK,GENERATOR/PRTBLE,17G,UM,KG	1
5	104-1249	PAD,RUBBER,40D,11GA,1-1/4X1-7/8X2-1/2,WP	2
6	141-1058	DRAIN,PETCOCK,BRASS,1/4"NPTM,DC14	1
7	104-1072	GRIP,HANDLE,RUBBER,YELLOW,7/8",STERILE	2
8	122-1145	NIPPLE,STEEL,SCH 80,PLTD,1/2" X 1-1/2" L	1
9	220-1122	BLOCK,MANIFOLD,ZINC,6 HOLE,TAPPED,MC-6	1
10	141-1004	VALVE,SAFETY,ASME,1/4",165 PSI,SV165	1
11	142-1003	GAUGE,PSI,200#,BK MT,JENNY,1.5,1/4",PG14	1
12	121-1049	ELBOW,STREET,BRASS,1/4"NPT	1
13	122-1174	ELBOW,STREET,MI,PLTD,90 DEG,1/2"NPT	1
14	141-1078	VALVE,BALL,OUTLET,1/4 TURN,1/2"M X 1/2"F	1
15	122-1045	PLUG,SOCKET,HEX,ST,PLTD,1/4" NPT	1
16	141-1064	VALVE,UNLOADER,DSCHRG,W/PILOT,MAN,1/4	1
17	121-1025	CONNECTOR,MALE,COMPRESSION,BR,1/4TBX1/8"	1
18	121-1048	INSERT,TUBING,BRASS,1/4"OD NYLON	2
19	610-1091	TUBE,CONTROL,NYLON,W/SLEEVE,1/4"X39"LG	1
20	123-1120	COVER,ELECTRICAL,WEATHER PROOF,DPLX GEN	1
21	123-1121	RECEPTACLE,DUPLEX,GFCI,20A,125V	1
22	150-1124	PANEL,CONTROL,COMPRESSOR/GENERATOR,3KW	1
23	140-1117	GUARD,SWITCH,TOGGLE,STEEL,PLATED,15/32"	1

Parts List for Model K11HGA-17P-3000W

NOTE: The quantity number indicates the total number of pieces required for a complete unit repair.
When ordering parts give compressor model, serial number and part number. Order assemblies when possible.

<u>REF. NO.</u>	<u>PART NO.</u>	<u>DESCRIPTION</u>	<u>QTY.</u>
24	140-1160	SWITCH,TOGGLE,W/OVERLOAD,250VAC,30AMP	1
25	140-1161	METER,VOLTAGE,MOUNT,PANEL,0-300VAC	1
26	140-1071	BOX,JUNCTION,STEEL,GALV,NEMA1,ASG6X6X4	1
27	230-1195	COMP 3KW ELEC GENER RAINCOVER	1
28	121-1082	NUT,COMPRESSION,TUBING,BRASS,1/4"	2
29	122-1071	BUSHING,REDUCER,HEX,ST,PLTD,3/4" X 1/2"N	2
30	123-1032	CONNECTOR,CABLE,BX,90 DEG,3/8"	2
31	123-1003	WIRE,ASSY,BX,14/2,WITH GROUND	2FT
32	120-1005	SCREW,FLANGE,HEX,SERR,ST,PLTD,1/4-20X3/4	4
33	120-1071	WASHER,FLAT,STEEL,PLATED,USS,1/4"	4
34	120-1116	NUT,LOCK,FLANGE,HEX,SERR,ST,PLTD,1/4-20	4
35	120-1021	SCREW,FLANGE,HEX,SERR,ST,PLTD,5/16-18X1	4
36	120-1119	NUT,LOCK,FLANGE,HEX,SERR,ST,PLTD,5/16-18	4
37	120-1075	WASHER,FLAT,STEEL,PLATED,5/16"	4
38	150-1126	GENERATOR,AC,3KW,115-230V,1725RPM	1
39	154-1044	PULLEY,CI,DG,4.0PDA,1-1/8ID,2AK44 X1-1/8	1
40	154-4L380	BELT,VEE,A36,4L-380	2
41	120-1194	KEY,STEEL,BLACK,1/4X1/4X1-1/2	2
42	320-1127	BELTGUARD 17 GL GENERATOR BLUE REPLACEME	1
43	120-1194	KEY,STEEL,BLACK,1/4X1/4X1-1/2	1
44	120-1219	BOLT,"J",ST,PL,1/4-20 X 5-9/16 LENGTH	1
45	120-1071	WASHER,FLAT,STEEL,PLATED,USS,1/4"	1
46	120-1116	NUT,LOCK,FLANGE,HEX,SERR,ST,PLTD,1/4-20	1

Parts List for Model K11HGA-17P-3000W

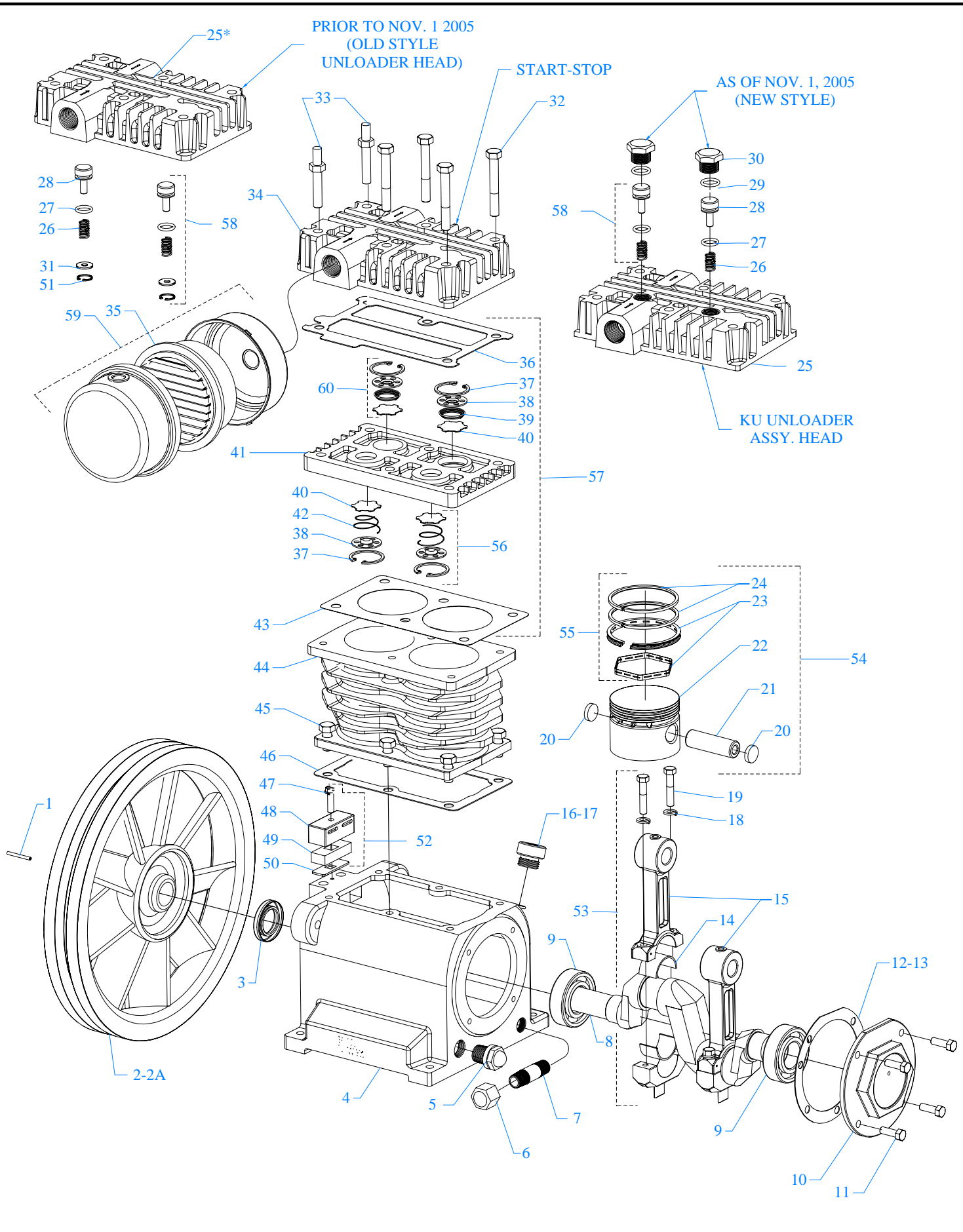
NOTE: The quantity number indicates the total number of pieces required for a complete unit repair.
When ordering parts give compressor model, serial number and part number. Order assemblies when possible.

<u>REF. NO.</u>	<u>PART NO.</u>	<u>DESCRIPTION</u>	<u>QTY.</u>
47	109-1192	BELTGUARD BRACKET,GENERATOR	1
48	154-4L560	BELT,VEE,A54,4L-560	1
49	154-1243	PULLEY,CI,DG,4.70PDA,1ID,2AK51X1	1
50	154-1244	PULLEY,CI,SG,3.70PDA,1ID,AK41X1	1
51	150-1183	ADAPTER,DRAIN,OIL,BRASS,8&11HP,HONDA	1
52	121-1049	ELBOW,STREET,BRASS,1/4"NPT	1
53	122-1221	NIPPLE,STEEL,SCH 40,PLATED,1/4" x 9" L	1
54	122-1126	CAP,HEX,MI,PLATED,1/4"NPT	1
55	120-1018	SCREW,FLANGE,HEX,SERR,ST,PLD,5/16-18X3/4	4
56	120-1075	WASHER,FLAT,STEEL,PLATED,5/16"	4
57	120-1119	NUT,LOCK,FLANGE,HEX,SERR,ST,PLTD,5/16-18	4
58	131-1023	ENGINE,GAS,HONDA,11 HP,E/S,GX340K1QAE2	1
59	121-1080	SLEEVE,COMPRESSION,BRASS,1/4"	2
60	141-1034	VALVE,CHECK,INSERT,1/2"M X3/8"F,W/1/8"PT	1
61	320-1121	FILTER,AIR,2PC,W/SILENCER&FILTER,G154	1
62	421-1102	PUMP,CMPSR,PISTON,REPLCMT,BLUE,KU	1
63	120-1009	SCREW,CAP,HEXHD,GR5,ST,PLTD,1/4-20X1-1/4	4
64	120-1071	WASHER,FLAT,STEEL,PLATED,USS,1/4"	4
65	120-1116	NUT,LOCK,FLANGE,HEX,SERR,ST,PLTD,1/4-20	4
66	122-1083	CAP,HEX,STEEL,1/4"NPT	1
67	122-1032	NIPPLE,STEEL,SCH 40,1/4" X 3" L	1
68	122-1052	ELBOW,STREET,MI,PLTD,90 DEG,1/2"NPT	1
69	360-1392	AFTERCOOLER,HOSE,SS,TEFLON,5/8"ODX19"L	1

Parts List for Model K11HGA-17P-3000W

NOTE: The quantity number indicates the total number of pieces required for a complete unit repair.
When ordering parts give compressor model, serial number and part number. Order assemblies when possible.

<u>REF. NO.</u>	<u>PART NO.</u>	<u>DESCRIPTION</u>	<u>QTY.</u>
70	121-1015	ELBOW,MALE,BRASS,5/8-45SAEX1/2"NPTM	1
NOT SHOWN	634-2893907	FILTER,17210-ZE3-010	1
NOT SHOWN	610-1225	KIT,ELEMENT,FILTER,G54E,PKG OF 4,G54EP	1
NOT SHOWN	105-1209	OIL,PUMP,SYNTHETIC,BLUE,1 QUART,ESQ	1



MODEL K & KU
 Two Cylinder Single Stage
 2-1/2" Bore X 2" Stroke

Parts List for Model K & KU Pump Assembly

NOTE: The quantity number indicates the total number of pieces required for a complete unit repair.
When ordering parts give compressor model, serial number and part number. Order assemblies when possible.

<u>REF. NO.</u>	<u>PART NO.</u>	<u>DESCRIPTION</u>	<u>QTY.</u>
1	120-1163	PIN,ROLLED,COILED,STL,BLK,1/4ODX1L,K25	1
2	220-1093	FLYWHEEL,K PUMP,CI,10-3/8,1 GROOVE,K23A	1
2A	220-1090	FLYWHEEL,GT PUMP,CI,13-1/4,2 GROOVE,G23 (KC Pump)	1
3	150-1036	SEAL,OIL,LIP,SINGLE,0.875 DIA,K11E	1
4	220-1009	CRANKCASE,K PUMP,CI,W/SIGHT GLASS,K1	1
5	160-1076	GAUGE,SIGHT,LEVEL,OIL,3/8"NPT,LO-M49	1
6	122-1083	CAP,HEX,MI,1/4"NPT	1
7	122-1032	NIPPLE,STEEL,SCH 40,1/4" X 3" L	1
8	220-1010	CRANKSHAFT,K PUMP,CI,MACHINED,K20A	1
9	150-1000	BEARING,BALL,K9	2
10	220-1001	CAP,BEARING,K PUMP,CI,MACHINED,K2	1
11	120-1004	SCREW,CAP,HEXHD,GR5,ST,BLK,1/4-20X3/4 (10FT-LB)	4
12	104-1000-01	GASKET,CAP,BEARING,F&K&G PUMP,1/32THK,L3	1
13	104-1000-02	GASKET,CAP,BEARING,F&K&G PUMP,1/64THK,L4	1
14	150-1011	BEARING,ROD,CONNECTING,PUMP,F,K,G	4
15	310-1001-02	ROD,CONNECTING,WO/BRNG INSERT,L21L&L21K	2
16	610-1029	PLUG,CRANKCASE,FILL,OIL,W/O-RING,K14	1
17	104-1016	RING,O,BUNA-N,5/8"IDX13/16"ODX3/32"THK	1
18	120-1068	WASHER,LOCK,SPLIT,ST,BLK,HIGH CLLR,1/4"	4
19	120-1010	SCREW,CAP,HEXHD,GR5,ST,BLK,1/4-20X1-1/4 10 FT-LB	4
20	104-1103	BUMPER,WRIST PIN,PLASTIC,K36A	4
21	150-1005	PIN,PISTON,STEEL,HARDENED,K35	2
22	220-1005	PISTON,PUMP,ALUMINUM,MACHINED,K32	2

Parts List for Model K & KU Pump Assembly

NOTE: The quantity number indicates the total number of pieces required for a complete unit repair.
When ordering parts give compressor model, serial number and part number. Order assemblies when possible.

<u>REF. NO.</u>	<u>PART NO.</u>	<u>DESCRIPTION</u>	<u>QTY.</u>
23	610-1065	KIT,RING,OIL,W/EXPANDER,ASSY,K34	2
24	150-1003	RING,COMPRESSION,PISTON,STEEL,EBA 22,K33	4
25	220-1016	HEAD,UNLOADING,G PUMP,CI,6HOLES,LU80	1
26	150-1020	SPRING,VALVE,UNLOADER,INTAKE, KU83	2
27	104-1020	RING,O,SILICON,7/16"IDX5/8"ODX3/32"THK	2
28	150-1028	PISTON,UNLOADER,VALVE,BRASS,KU81	2
29	104-1015	RING,O,BUNA-N,1/2"IDX11/16"ODX3/32"THK	2
30	122-1051	PLUG,HEX ,BRASS,11/16-16 UN-2B X .550	2
31	150-1042	WASHER,BRASS,1/32X 0.605ODX1/4 ID,KU84	2
32	120-1028	SCREW,CAP,HEXHD,GR5,ST,BLK,5/16-18X2-1/4 (22 FT-LB)	4
33	120-1252	BOLT,STUD,HEX,ST,5/16-18X2-1/4X5/8,K52-1 (22 FT-LB)	2
34	310-1004	HEAD,START/STOP,G PUMP,REPLACEMNT,L50	1
35	150-1104	ELEMENT,FILTER,AIR,COMPRESSOR,JENNY,G54E	1
36	104-1008	GASKET,HEAD,K&G&W PUMP,1/32THK,L51	1
37	150-1041	RETAINER,VALVE,STEEL,PAS,0.062"THK,K43	4
38	109-1010	VALVE,BUMPER,STEEL,K44	4
39	150-1018	SPRING,CONE,SS,VALVE,DISCHARGE,K46	2
40	109-1011	VALVE,DISC,STAINLESS STEEL,K47	4
41	220-1013	PLATE,VALVE,L PUMP,CI,MACHINED,L40	1
42	150-1017	SPRING,CONE,SS,VALVE,INTAKE,K45	2
43	104-1007	GASKET,PLATE,VALVE,K&G&W PUMP,1/32TK,L41	1
44	360-1150	CYLINDER,K PUMP,CI,PAINTED,BLUE,K30	1
45	120-1017	SCREW,CAP,HEXHD,GR5,ST,BLK,5/16-18X3/4 (15FT-LB)	6

Parts List for Model K & KU Pump Assembly

NOTE: The quantity number indicates the total number of pieces required for a complete unit repair.
When ordering parts give compressor model, serial number and part number. Order assemblies when possible.

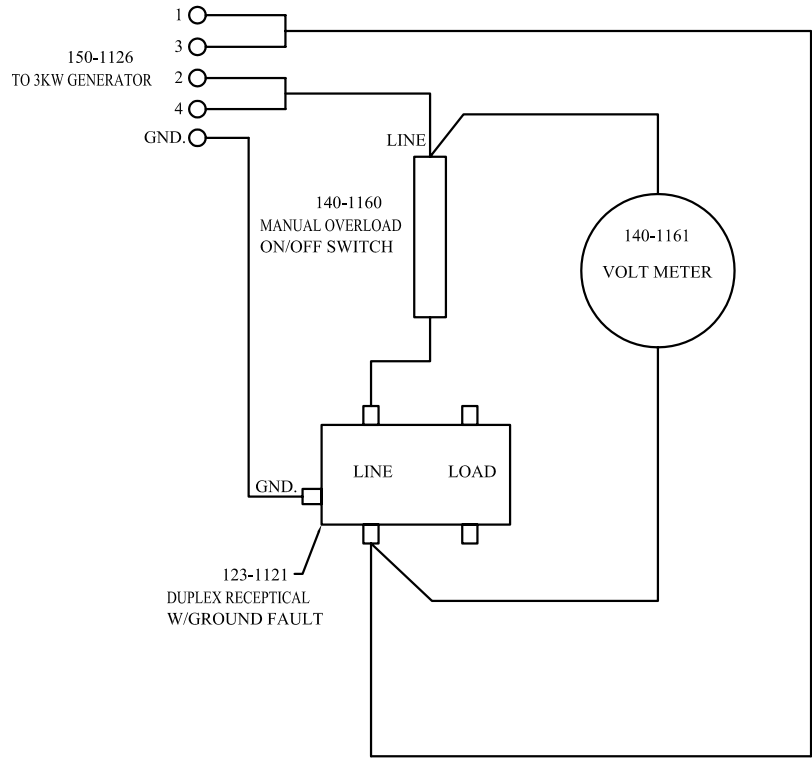
<u>REF. NO.</u>	<u>PART NO.</u>	<u>DESCRIPTION</u>	<u>QTY.</u>
46	104-1006	GASKET,CYLINDER,K&G&W PUMP,1/32THK,K31	1
47	132776	SCREW,MACH,RND HD,SLTD,ST,PL,#8-32X1"	1
48	104-1264	RETAINER,BREATHER,CRANKCASE,PLASTIC,BLUE	1
49	104-1265	FILTER,AIR,BREATHER,CRANKCASE,INSERT	1
50	104-1266	SEAL,BREATHER,CRANKCASE,FILTERED,RUBBER	1
51	120-1167	RETAINER,INTERNAL,ST,0.035X 0.665,KU85	2
Assemblies			
52	610-1410	BREATHER,CRANKCASE,W/HOUSING&FILTER&SEAL Includes 47, 48, 49, 50	1
53	610-1411	ROD,CONNECTING,W/BEARNG INSERT,L21L&L21K INCLUDES 14(2), 15, 18(2), 19(2)	2
54	610-1028	PISTON,W/RINGS&PIN,ASSY,K132 INCLUDES 20 (2), 21, 22, 23, 24 (2)	2
55	610-1020	KIT,PUMP,RING,PISTON,F&K&G&W PUMP,K133 INCLUDES 23 (2), 24 (4)	1
56	610-1031	VALVE,SUCTION,ASSY,K145 INCLUDES 37, 38, 40, 42	2
57	610-1045	PLATE,VALVE,W/VALVES,ASSY,L140 INCLUDES 36, 41, 43, 56(2), 60(2)	1
58	610-1042	VALVE,UNLOADER,HEAD,PUMP,ASSY,KU181 INCLUDES 26, 27, 28, 31, 51	2
59	320-1121	FILTER,W/DECALS,ASSY,G154S	1
60	610-1032	VALVE,DISCHARGE,ASSY,K146 INCLUDES 37, 38, 39, 40	2
61	610-1026	KIT,GASKET,K PUMP,ASSY,K100A INCLUDES 12,13,36,43,46	1
NOT SHOWN	610-1123	KIT,BASIC,REPAIR,KU PUMP,K101 W/G54E INCLUDES 35, 52, 55, 56(2), 60(2), 61	1
NOT SHOWN	610-1304	KIT,BASIC,REPAIR,KU PUMP,W/G54E,KU101G	1

Parts List for Model K & KU Pump Assembly

NOTE: The quantity number indicates the total number of pieces required for a complete unit repair.
When ordering parts give compressor model, serial number and part number. Order assemblies when possible.

<u>REF. NO.</u>	<u>PART NO.</u>	<u>DESCRIPTION</u>	<u>QTY.</u>
		INCLUDES 35, 52, 55(2), 56(2), 58(2), 60(2), 61 W/G54E	
NOT SHOWN	105-1209	OIL,PUMP,SYNTHETIC,BLUE,1 QUART,ESQ	1
NOT SHOWN	610-1226	KIT,FILTER,ASSY,G154,PKG OF 4,G154P	1
NOT SHOWN	610-1186	KIT,ELEMENT,FILTER,L54E,PKG OF 4,L54EP	1
NOT SHOWN	150-1010	ELEMENT,FILTER,AIR,COMPRESSOR,JENNY,L54E	1

REVISION				
REV	DESCRIPTION	DATE	BY	APPROVED



Itn	Qty	Description	Dwg. No.	Material	Size	Remarks		
DESIGN								
DRAWN		BRAD MILLER	6.15.07					
CHECKED								
APPR'V'D								
TOLERANCE				TITLE WIRING DIAGRAM				
<u>INCHES</u> .X= +/--.030 .XXX= +/--.005 .XX= +/--.015 .XXXX= +/--.0005 ANGLES = +/-1/4° MACHINE FINISH ✓ ¹²⁵				<u>METRIC</u> .X= +/-1.0 .XXX= +/-0.1 .XX= +/-0.5 .XXXX= +/-0.02 ANGLES = +/-1/4°				
3KW GENERATOR				SCALE	DRAWING NO.	SIZE	SH 1	REV.
FILE NAME 621-GENR				1=1.5	621-GENR	A	OF 1	