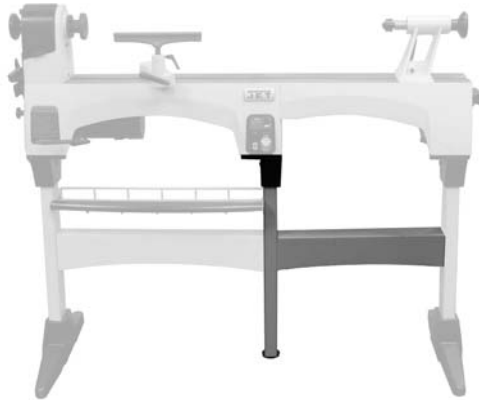




Assembly Instructions and Parts List
Stand Extension for JWL-1221VS Lathe
Stock No. 719203



⚠WARNING Read and understand the entire owner's manual that accompanied your JWL-1221VS lathe before attempting assembly or operation of accessories.

Inspect contents for shipping damage. Report any damage or part shortages to your distributor. Do not discard shipping materials until accessory is set up and functioning properly.

Shipping contents

- 1 Cross bar
- 1 Tube
- 1 Bracket
- 2 Socket head button screws, 5/16x1
- 4 Socket head button screws, 5/16x1/2
- 4 Lock washers, 5/16"
- 6 Flat washers, 5/16"
- 1 Leveling pad with nut
- 2 Socket head cap screws, 5/16x1

Tools required for assembly

5mm and 6mm hex keys ("Allen wrenches")
Adjustable wrench

Assembly

(Parts in brackets refer to index numbers in the exploded view. Refer to document M-719201 for

instructions on assembling optional Bed Extension to lathe).

1. If not already mounted, screw leveling pad with nut [4/3] into bottom of tube [2]. The leveling pad can be adjusted for height, and the nut tightened up against the tube to secure the setting.
2. Remove the right leg from your lathe. **WARNING: Use an assistant or block up the lathe to support it during these procedures!**
3. Install the leg just removed to the end of the bed extension.
4. Install the middle leg beneath center of lathe with two 5/16x1-1/4 hex cap screws [8], lock washers [6], and flat washers [7]. Secure tool tray and cross bar to this middle leg.
5. Install new cross bar [9] between legs with four 5/16x1/2 socket head button screws [5] and flat washers [7] and tighten.

JET

427 New Sanford Road
LaVergne, Tennessee 37086
Ph.: 800-274-6848
www.jettools.com

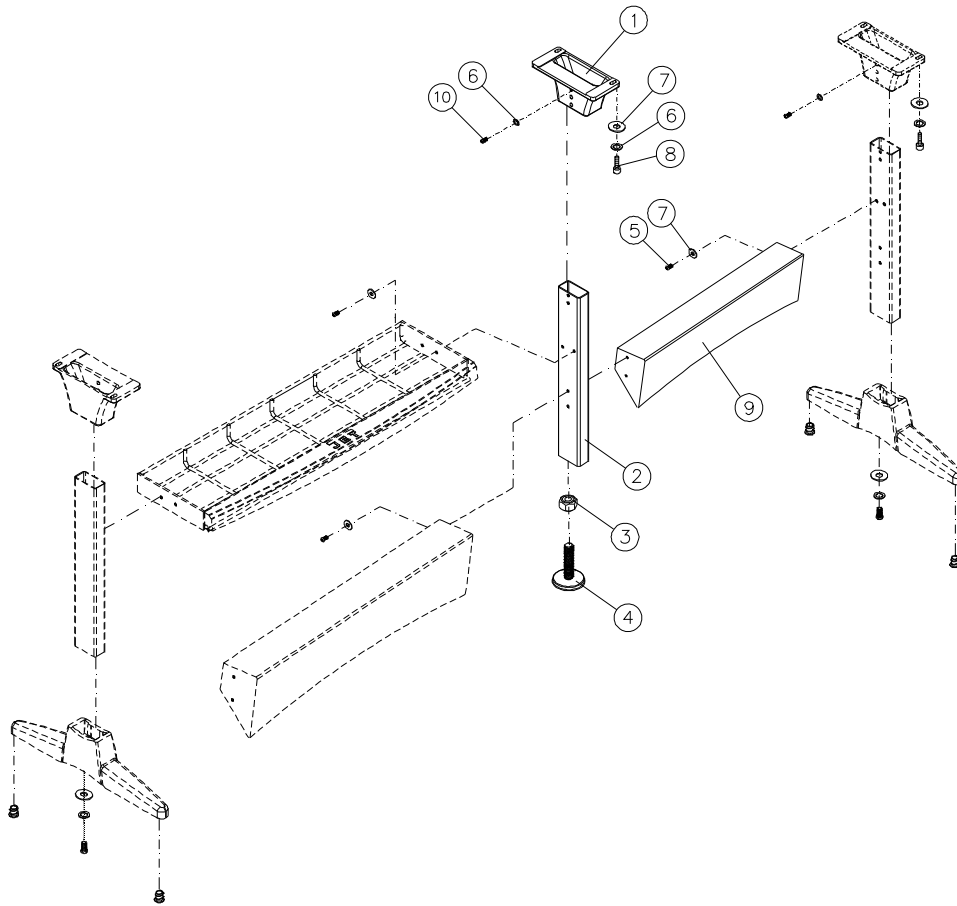
Part No. M-719203
Revision A1 02/2014
Copyright © 2014 JET

Specifications

Stock number	719203
Assembled dimensions	119 x 229 x 719 mm (4.7"L x 9"W x 28.3"H)
Net weight	8.5 kg (18.74 lb)
Shipping dimensions	760 x 300 x 165 mm (29.92 x 11.81 x 6.50")
Shipping weight	10.5 kg (23.15 lb)

Specifications were current at time of publication, but because of our policy of continuous improvement, JET reserves the right to change specifications at any time and without prior notice, without incurring obligations.

719203 Stand extension for JWL-1221VS lathe



Index No	Part No	Description	Size	Qty
1	JWL1221VS-401	Upper Bracket		1
2	JWL1221VS-602	Tube		1
3	TS-0561031	Hex Nut	3/8"	1
4	JWL1642-206	Leveling Pad		1
5	TS-0255021	Socket Head Button Screw	5/16"-18x1/2"	4
6	TS-0720081	Lock Washer	5/16"	4
7	TS-0680031	Flat Washer	5/16"	6
8	TS-0208071	Socket Head Cap Screw	5/16"-18x1-1/4"	2
9	JWL1221VS-609	Cross Bar		1
10	JWL1221VS-417	Socket Head Button Screw	5/16"-18x1"	2

To order parts or reach our service department, call 1-800-274-6848 Monday through Friday (see our website for business hours, www.jettools.com). Having the Model Number and Serial Number of your machine available when you call will allow us to serve you quickly and accurately.