



Operating Instructions and Parts Manual

10x15-inch Woodworking Lathe

Models JWL-1015, JWL-1015VS



model JWL-1015VS shown



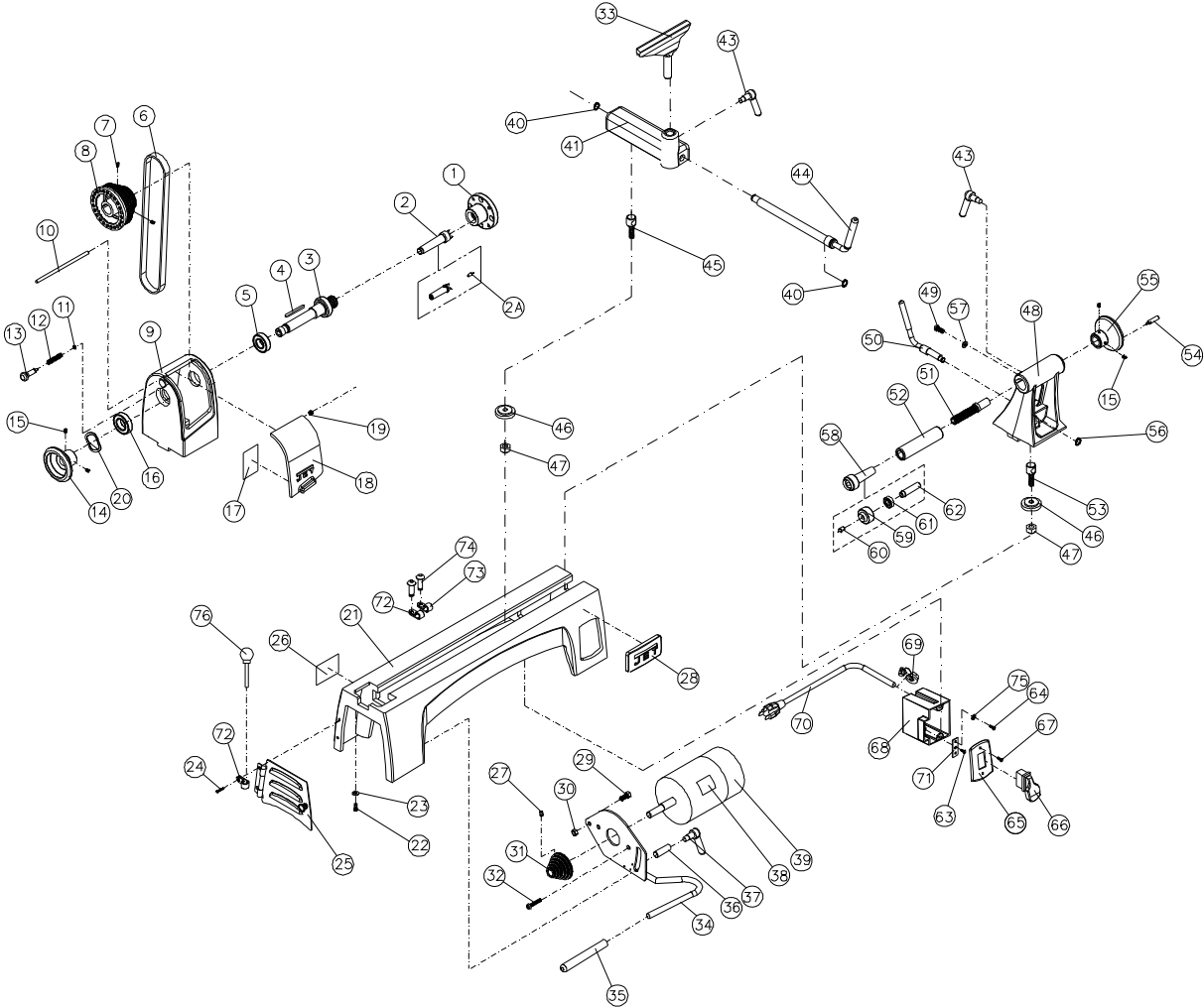
JET
427 New Sanford Road
LaVergne, Tennessee 37086
Ph.: 800-274-6848
www.jettools.com

Part No. M-719100
Revision A1 02/2014
Copyright © 2014 JET

16.0 Replacement Parts

Replacement parts are listed on the following pages. To order parts or reach our service department, call 1-800-274-6848 Monday through Friday (see our website for business hours, www.jettools.com). Having the Model Number and Serial Number of your machine available when you call will allow us to serve you quickly and accurately.

16.1.1 JWL-1015 Lathe – Exploded View

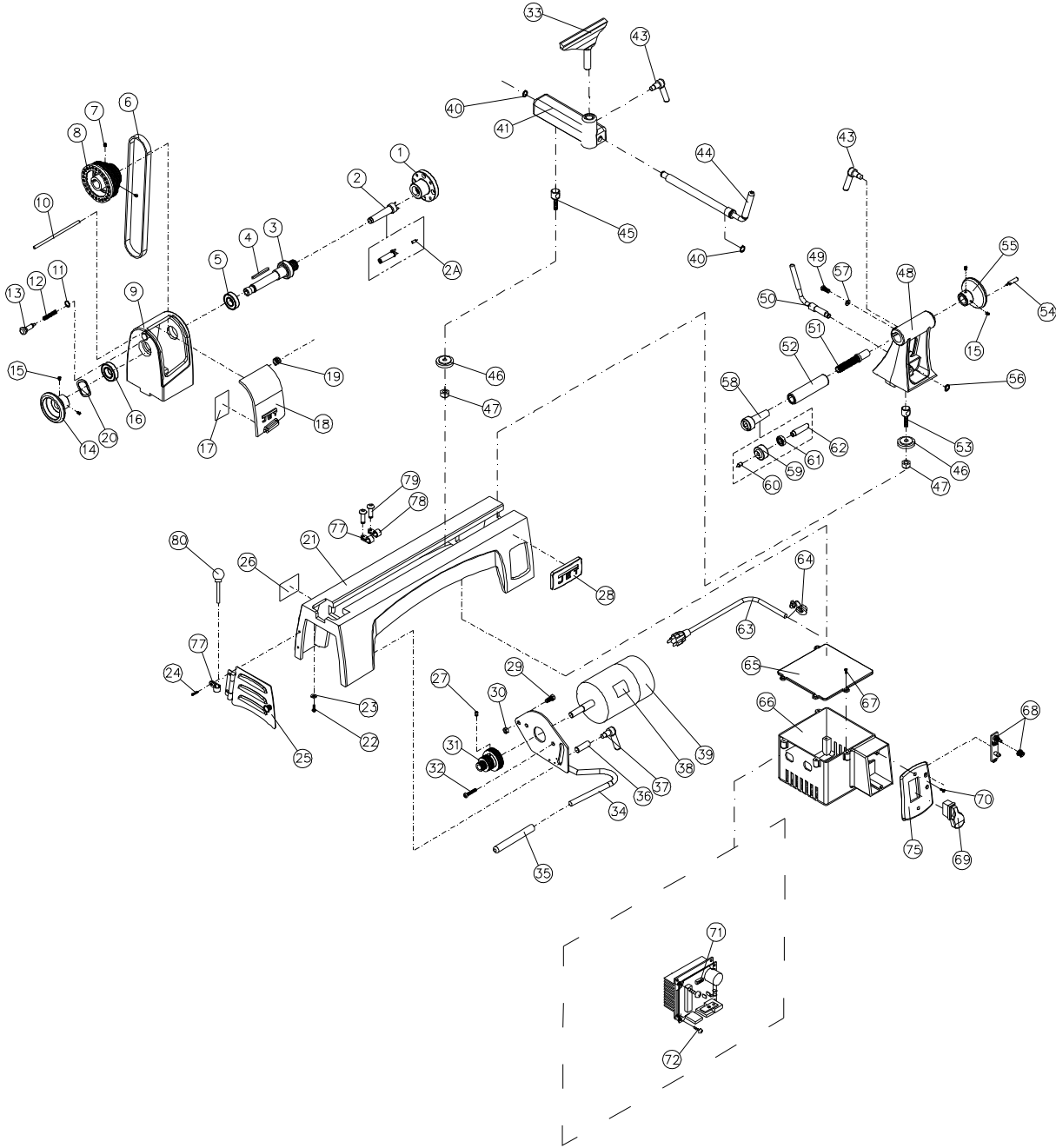


16.1.2 JWL-1015 Lathe – Parts List

Index No	Part No	Description	Size	Qty
	JWL1015-HA	Headstock Assembly (includes #3 thru #20)		1
1	JML-2	Faceplate	3"	1
2	JML-3	Spur Center	MT2	1
2A	JML-3A	Center Point for Spur Center		1
3	JML-4	Spindle	1" x 8 TPI	1
4	JML-5	Key	5x25mm	1
5	BB-6005VV	Ball Bearing	6005VV	1
6	JML-20	V-Belt	240J	1
7	TS-0267041	Socket Set Screw	1/4"-20x3/8"	2
8	JWL1015-108	Spindle Pulley		1
9	JWL1015-109	Headstock		1
10	JWL1015-110	Pin		1
11	JML1014-187	C-Ring	STW-9	1
12	JML1014-188	Spring		1
13	JML1014-189	Index Pin		1
14	JWL1221VS-123	Handwheel		1
15	TS-0267021	Set Screw	1/4"-20x1/4"	4
16	BB-6004VV	Ball Bearing	6204VV	1
17	JWL1015-117	Speed Label		1
18	JWL1015-118	Pulley Access Door		1
19	JWL1015-119	Spring		1
20	JML-8	Wave Washer		1
21	JWL1015-121	Bed		1
22	TS-0207061	Socket Head Cap Screw	1/4"-20x1"	4
23	TS-0720071	Lock Washer	1/4"	4
24	JWL1015-124	Socket Head Button Screw	#10-24x1/4"	2
25	JWL1015-125	Motor Access Door		1
26	JWL1015-126	I.D Label		1
27	TS-0267041	Socket Set Screw	1/4"-20x3/8"	2
28	JET-92	JET Logo with 3M Adhesive	92x38mm	1
29	TS-0051051	Hex Cap Screw	5/16"-18x1"	1
30	TS-0640081	Nylon Lock Hex Nut	5/16"-18	1
31	JML-28	Motor Pulley		1
32	JWL1015-132	Socket Head Flat Screw	1/4"-20x1/2"	2
33	JML-42	Tool Rest	6"	1
34	JWL1015-134	Motor Bracket		1
35	JWL1221VS-266	Rubber Cover		1
36	JWL1015-136	Bushing		1
37	JWL1015-137	Lock Handle Assembly, Motor Plate		1
38	JWL1015-138	Motor Label		1
39	JWL1015-139	Motor	1/2HP, 1Ph, 115V	1
	JML-35-1	Capacitor (not shown)	25µf,250 VAC	1
	JML-35-2	Capacitor Cover (not shown)		1
	JML-35-3	Motor Fan Cover (not shown)		1
	JWL1015-TBA	Toolrest Base Assembly (includes #40 thru #47)		2
40	JML-49	C-Ring	STW-12	2
41	JWL1015-141	Tool Rest Body		1
43	JML-59A	Lock Handle Assembly	5/16"-18x3/4"	2
44	JML-50	Eccentric Locking Rod		1
45	JML-43	Bolt		1
46	JML-44	Clamp		2
47	JML-81	Clamp Nut		2
	JWL1015-TA	Tailstock Assembly (includes #15,43,46 thru #57)		1
48	JWL1015-148	Tailstock		1
49	TS-0255031	Socket Head Button Screw	5/16"-18x5/8"	1
50	JML-58	Eccentric Rod, Tailstock		1
51	JWL1015-151	Lead Screw		1
52	JML-55	Quill		1
53	JML-64	Bolt		1
54	JWL1221VS-222	Handle		1

Index No	Part No	Description	Size	Qty
55	JWL1221VS-223	Handwheel		1
56	JML-63	C-Ring	STW-10	1
57	TS-0680031	Flat Washer	5/16"	1
58	708331	Live Center Assembly (<i>includes #59 thru #62</i>)		1
59	JML-52	Live Center Head		1
60	JML-52A	Center Point for Live Center		1
61	BB-6002ZZ	Ball Bearing	6002ZZ	1
62	JML-54	Live Center Shaft		1
63	JWL1015-163	Tapping Screw	M3.5x6mm	1
64	TS-1533032	Pan Head Screw	M5x10	2
65	JWL1015-165	Switch Cover		1
66	994534	On-Off Switch		1
67	TS-081C052	Pan Head Screw	#10-24x3/4"	2
68	JWL1015-168	Switch Box		1
69	JWL1221VS-320	Strain Relief	6B3-2	2
70	JWL1015-170	Power Cord		1
71	JWL1015-171	Ground Plate		1
72	JWL1015-172	Clamp	5/16"	2
73	JWL1221VS-276	Clamp	1/2"	1
74	TS-081C022	Pan Head Screw	#10-24x3/8"	2
75	TS-0733041	External Tooth Lock Washer	1/4"	2
76	JML-11	Knockout Rod		1
77	JWL1221VS-211	Warning Label (not shown)		1

16.2.1 JWL-1015VS Lathe – Exploded View



16.2.2 JWL-1015VS Lathe – Parts List

Index No	Part No	Description	Size	Qty
	JWL1015VS-HA	Headstock Assembly (includes #1 thru #20)		1
1	JML-2	Faceplate	3"	1
2	JML-3	Spur Center	MT2	1
2A	JML-3A	Center Point for Spur Center		1
3	JML-4	Spindle	1" x 8 TPI	1
4	JML-5	Key	5x25mm	1
5	BB-6005VV	Ball Bearing	6005VV	1
6	JML-20	V-Belt	240J	1
7	TS-0267041	Socket Set Screw	1/4"-20x3/8"	2
8	JWL1015VS-108	Spindle Pulley		1
9	JWL1015-109	Headstock		1
10	JWL1015-110	Pin		1
11	JML1014-187	C-Ring	STW-9	1
12	JML1014-188	Spring		1
13	JML1014-189	Index Pin		1
14	JWL1221VS-123	Handwheel		1
15	TS-0267021	Set Screw	1/4"-20x1/4"	4
16	BB-6004VV	Ball Bearing	6204VV	1
17	JWL1015VS-117	Speed Label		1
18	JWL1015-118	Pulley Access Door		1
19	JWL1015-119	Spring		1
20	JML-8	Wave Washer		1
21	JWL1015-121	Bed		1
22	TS-0207061	Socket Head Cap Screw	1/4"-20x1"	4
23	TS-0720071	Lock Washer	1/4"	4
24	JWL1015-124	Socket Head Button Screw	#10-24x1/4"	2
25	JWL1015-125	Motor Access Door		1
26	JWL1015VS-126	I.D Label		1
27	TS-0267041	Socket Set Screw	1/4"-20x3/8"	2
28	JET-92	JET Logo with 3M Adhesive	92x38mm	1
29	TS-0051051	Hex Cap Screw	5/16"-18x1"	1
30	TS-0640081	Nylon Lock Hex Nut	5/16"-18	1
31	JWL1015VS-131	Motor Pulley		1
32	TS-0254021	Socket Head Button Screw	1/4"-20x1/2"	2
33	JML-42	Tool Rest	6"	1
34	JWL1015-134	Motor Bracket		1
35	JWL1221VS-266	Rubber Cover		1
36	JWL1015-136	Bushing		1
37	JWL1015-137	Lock Handle Assembly, Motor Plate		1
38	JWL1015VS-138	Motor Label		1
39	JWL1015VS-139	Motor	1/2 HP	1
	JWL1015VS-MCB	Motor Carbon Brush with Cap (not shown)		2
	JWL1015VS-MFC	Motor Fan Cover (not shown)		1
	JWL1015VS-MF	Motor Fan (not shown)		1
	JWL1015-TBA	Toolrest Base Assembly (includes #40 thru #47)		2
40	JML-49	C-Ring	STW-12	2
41	JWL1015-141	Tool Rest Body		1
43	JML-59A	Lock Handle Assembly	5/16"-18x3/4"	2
44	JML-50	Eccentric Locking Rod		1
45	JML-43	Bolt		1
46	JML-44	Clamp		2
47	JML-81	Clamp Nut		2
	JWL1015-TA	Tailstock Assembly (includes #15,43,46 thru #57)		1
48	JWL1015-148	Tailstock		1
49	TS-0255031	Socket Head Button Screw	5/16"-18x5/8"	1
50	JML-58	Eccentric Rod, Tailstock		1
51	JWL1015-151	Lead Screw		1
52	JML-55	Quill		1
53	JML-64	Bolt		1
54	JWL1221VS-222	Handle		1

Index No	Part No	Description	Size	Qty
55	JWL1221VS-223	Handwheel		1
56	JML-63	C-Ring	STW-10	1
57	TS-0680031	Flat Washer	5/16"	1
58	708331	Live Center Assembly (<i>includes #59 thru #62</i>)		1
59	JML-52	Live Center Head		1
60	JML-52A	Center Point for Live Center		1
61	BB-6002ZZ	Ball Bearing	6002ZZ	1
62	JML-54	Live Center Shaft		1
	JWL1015VS-CA	Controller Assembly (<i>includes #63 thru #75</i>)		1
63	JWL1015VS-163	Power Cord		1
64	JWL1221VS-320	Strain Relief	6B3-2	2
65	JWL1015VS-165	Plate		1
66	JWL1015VS-166	Switch Cover		1
67	JWL1015VS-167	Tapping Screw	M3x12	4
68	JWL1015VS-168	Control Potentiometer Assembly		1
69	JWL1221VS-308	On-Off Switch		1
70	JWL1015VS-170	Tapping Screw		2
71	JWL1015VS-171	Circuit Board Assembly		1
72	JWL1221VS-302	Tapping Screw	M3x19	4
73	JWL1015VS-174	Connect Cord (VR to PC board; not shown)		1
74	JWL1221VS-324	Connect Cord (Power cord to PC board; not shown)		1
75	JWL1015VS-175	Switch Cover		1
77	JWL1015-172	Clamp	5/16"	2
78	JWL1221VS-276	Clamp	1/2"	1
79	TS-081C022	Pan Head Screw	#10-24x3/8"	2
80	JML-11	Knockout Rod		1
81	JWL1221VS-211	Warning Label (not shown)		1



427 New Sanford Road
LaVergne, Tennessee 37086
Phone: 800-274-6848
www.jettools.com