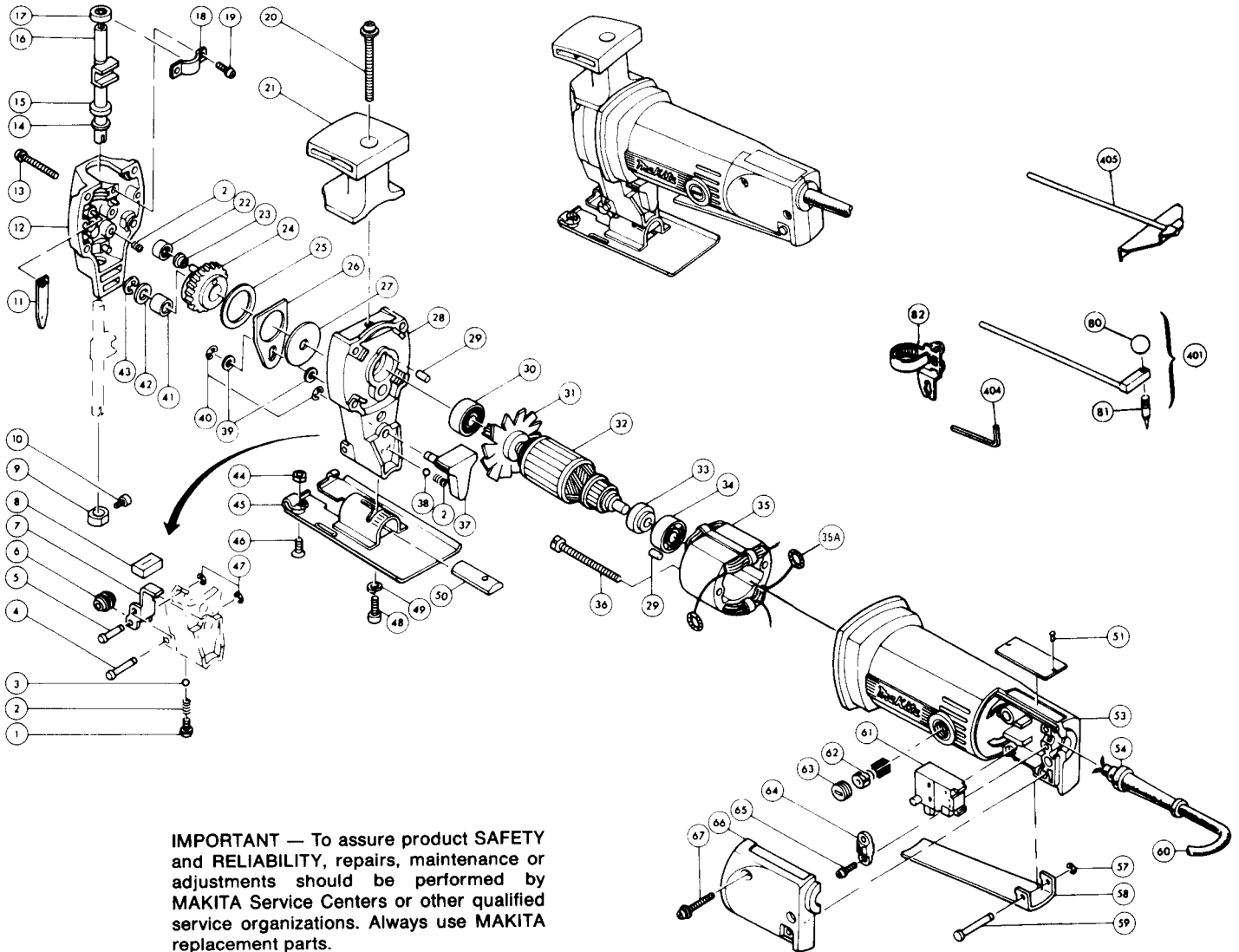




ORBITAL JIG SAW (0 - 3400SPM) Model JV2000



IMPORTANT — To assure product SAFETY and RELIABILITY, repairs, maintenance or adjustments should be performed by MAKITA Service Centers or other qualified service organizations. Always use MAKITA replacement parts.

Item No.	Part No.	No. Used	Description	Item No.	Part No.	No. Used	Description
1	911201-4	1	PAN HEAD SCREW M5x8	35A	654018-9	2	GARTER SPRING
2	231314-8	6	COMPRESSION SPRING 4	36	*		*
3	216001-0	1	STEEL BALL 3.5	37	272213-5	1	LEVER 30
4	256631-5	1	PIN 4	38	216001-0	1	STEEL BALL 3.5
5	256630-7	1	PIN 4	39	253726-5	2	FLAT WASHER 6
6	321390-1	1	ROLLER	40	961011-9	2	STOP RING E-4
7	133585-2	1	ROLLER ASSEMBLY (Include Item 5 — 7, 47)	41	212005-0	1	NEEDLE BEARING 810
8	423041-3	1	SPONGE 12-21	42	253834-2	1	FLAT WASHER 6
9	321388-8	1	BLADE SET	43	961012-7	1	STOP RING E-6
10	922112-8	1	H.S.H. BOLT M4x10	44	931202-6	1	HEX. NUT M5
11	341763-2	2	PLATE	45	164740-5	1	BASE
12	157879-1	1	GEAR HOUSING COVER (With 2 ea. of PIN 256723-0, SPRING PIN 951057-3)	46	251951-2	1	H. BOLT M5x10
13	911161-0	4	PAN HEAD SCREW M4x35	47	961017-7	1	STOP RING E-3
14	**	1	WASHER 8	48	922147-9	1	H. BOLT M4x25
15	**	1	**	49	942051-6	1	SPRING WASHER 4
16	**	1	**	50	315365-0	1	CLAMP PLATE
17	211080-3	1	BALL BEARING 805	51	953106-2	1	RIVET
18	341762-4	1	HOLDER	53	*		* MOTOR HOUSING
19	911106-8	2	PAN HEAD SCREW M4x8	54	682500-8	1	CORD GUARD
20	911378-5	1	PAN HEAD SCREW M6x55	57	961017-7	1	STOP RING E-3
21	411790-4	1	TOP HANDLE	58	341759-3	1	SWITCH LEVER
22	212014-9	1	NEEDLE BEARING 407	59	256626-8	1	PIN 4
23	321389-6	1	BUSH 4	60	664013-1	1	CORD with Plug (2x18x8; SJT)
24	153140-4	1	GEAR	61	651822-7	1	SWITCH
25	253833-4	1	FLAT WASHER 28	62	643072-8	2	CARBON BRUSH (CB — 72)
26	341761-6	1	CAM PLATE	63	643550-8	2	BRUSH CAP
27	253835-0	1	FLAT WASHER 8	64	687001-1	1	STRAIN RELIEF
28	156805-7	1	GEAR HOUSING (With LABEL 816069-2, PIN 256116-1, PIN 256418-5, & 2 ea. SPRING PIN 951051-5)	65	911131-9	2	PAN HEAD SCREW M4x18
29	263002-9	2	RUBBER PIN 4	66	411898-4	1	SWITCH COVER
30	211033-2	1	BALL BEARING 608LB	67	911158-9	2	PAN HEAD SCREW M4x30
31	241081-7	1	FAN	80	271601-3	1	KNOB
32	611456-8	1	ARMATURE ASS'Y (Include Item 30 — 34)	81	323223-6	1	GUIDE PIN
33	681614-0	1	INSULATION WASHER	82	410048-8	1	WRENCH HOLDER
34	211028-5	1	BALL BEARING 627LB				
35	621456-0	1	FIELD with Item 35A				
				ACCESSORIES			
				401	123030-5		CIRCULAR GUIDE
				404	783201-2		HEX WRENCH
				405	164113-2		GUIDE RULE

SERVICE CHANGE

1. Change on Motor Housing.

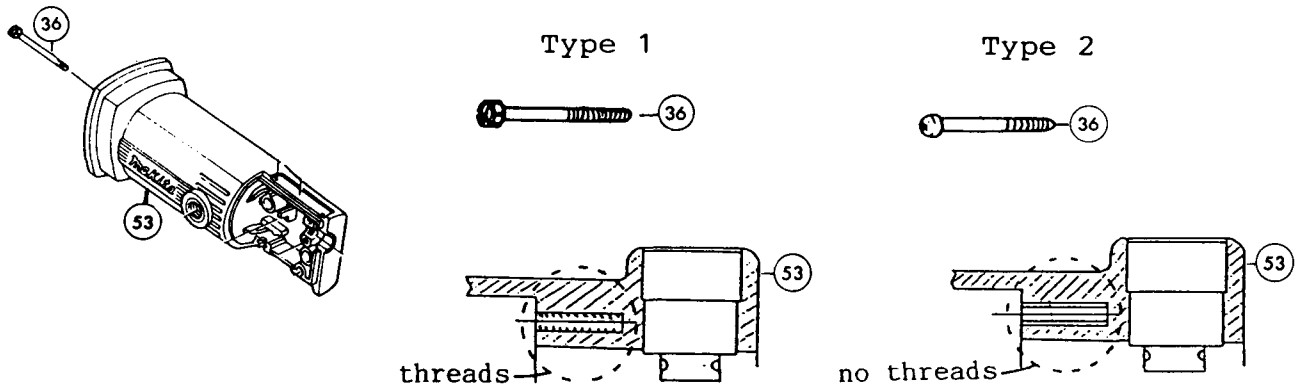


Fig.	Description	Type 1	Type 2
36	_____	Part #925183-4 Hex Bolt M4x55	Part #265891-8 Tap Screw M4x55
53	Motor Housing	Part #156804-9 (Discontinued)	Part #157722-4

The above parts are completely interchangeable as a set.

SERVICE CHANGE

2. Change on Slider and Gear Housing Cover.

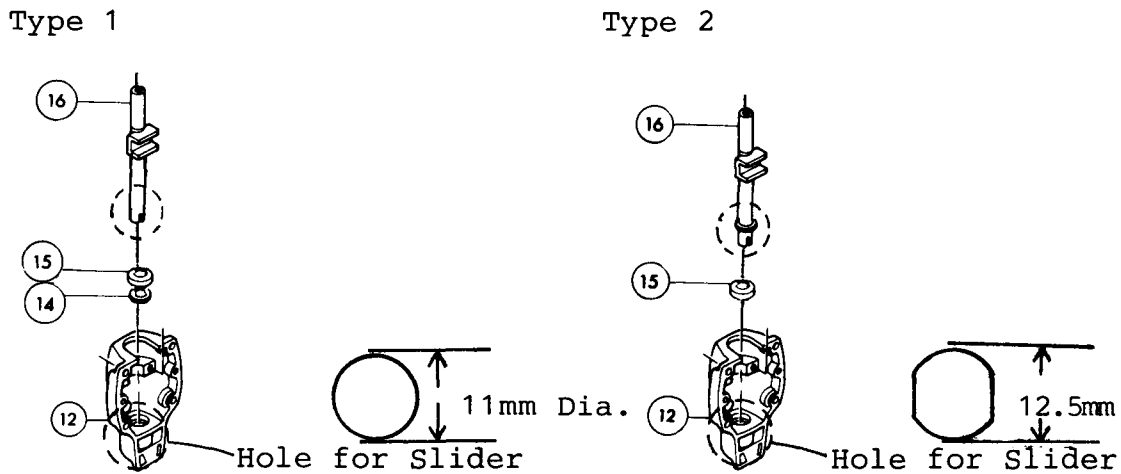


Fig.	Description	Type 1	Type 2
12	Gear Housing Cover	Part #156806-5 (Discontinued)	Part #157879-1
14	Flat Washer 8	Part #261051-0	_____
15	_____	Part #443008-5 Felt	Part #423167-1 Dust Seal
16	Slider	Part #168134-6 (Discontinued)	Part #168190-6

The above parts are completely interchangeable as a set, except Type 2 Gear Housing Cover is interchangeable individually.