



# Operating Instructions and Parts Manual Step Pulley Turret Mill

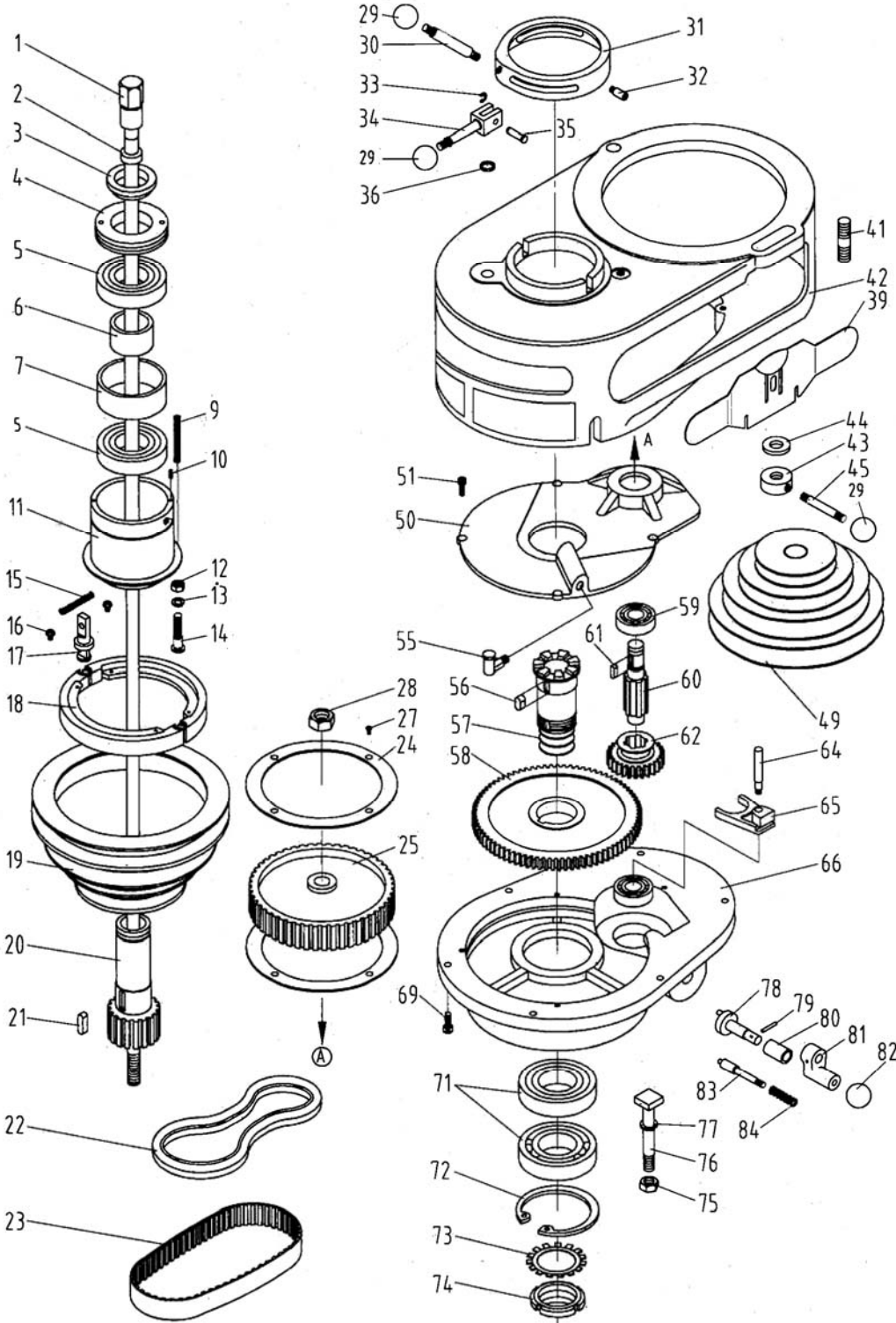
Model JTM-1, JTM-2



**JET**  
427 New Sanford Road  
LaVergne, Tennessee 37086  
Ph.: 800-274-6848  
[www.jettools.com](http://www.jettools.com)

**Part No. M-690082**  
Revision G2 12/2014  
Copyright © 2014 JET

### 15.1.1 Upper Head Assembly – Exploded View

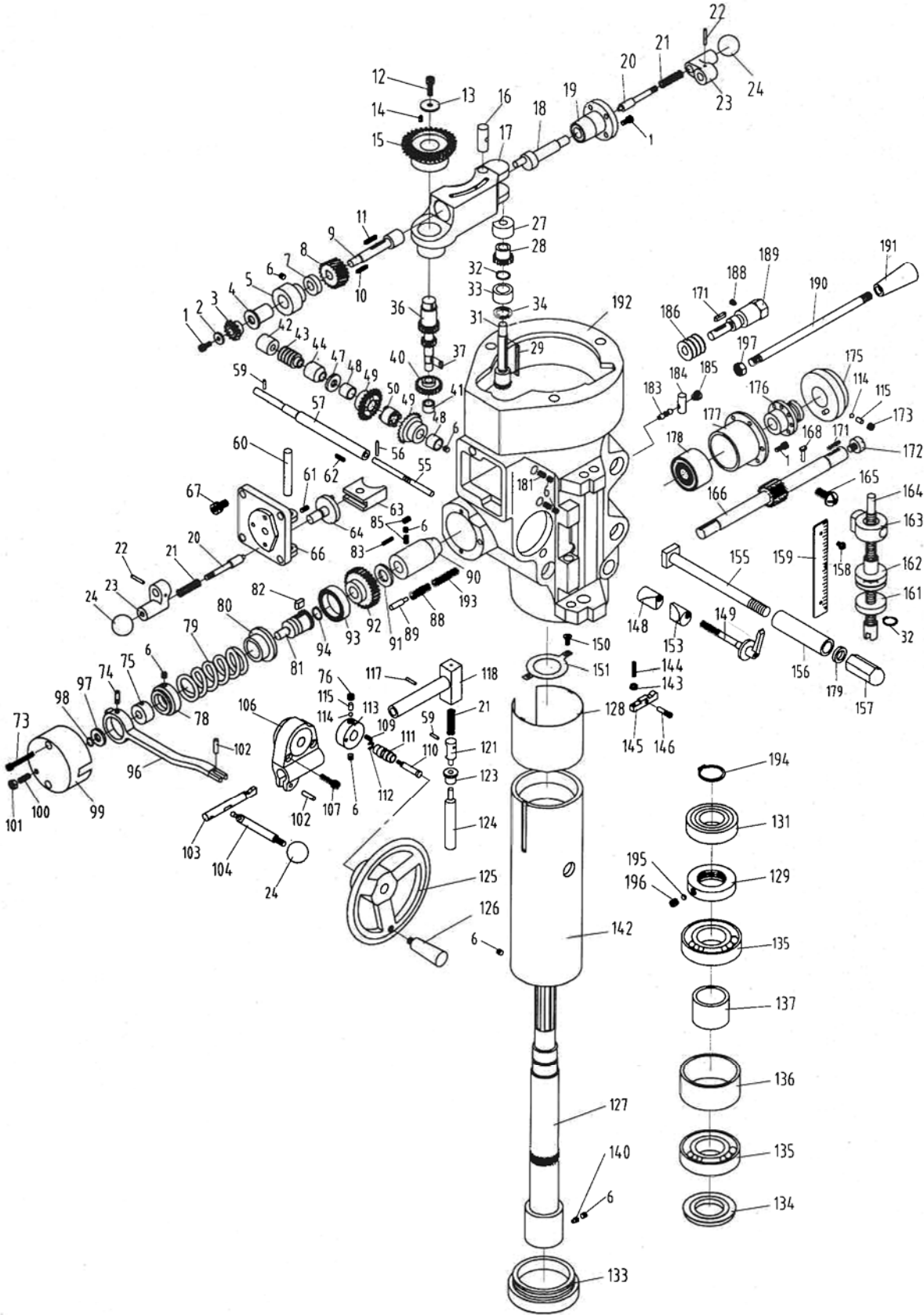


## 15.1.2 Upper Head Assembly – Parts List

| Index No | Part No      | Description                   | Size       | Qty |
|----------|--------------|-------------------------------|------------|-----|
| 1        | LA-072       | Draw Bar                      | R8         | 1   |
| 2        | JTM4VS-A002B | Draw Bar Washer               |            | 1   |
| 3        | LA-071       | Upper Bearing Lock Nut        |            | 1   |
| 4        | LA-070       | Bearing Sleeve Lock Nut       |            | 1   |
| 5        | BB-6207ZZ    | Ball Bearing                  | 6207-ZZ    | 2   |
| 6        | LA-068       | Upper Bearing Spacer (small)  |            | 1   |
| 7        | LA-069       | Upper Bearing Spacer (large)  |            | 1   |
| 9        | LA-169       | Compression Spring            |            | 4   |
| 10       | TS-1520041   | Set Screw                     | M3x10      | 4   |
| 11       | LA-066       | Spindle Pulley Bearing Sleeve |            | 1   |
| 12       | TS-0571021   | Hex Jam Nut                   | 5/16"      | 1   |
| 13       | TS-0720081   | Lock Washer                   | 5/16"      | 1   |
| 14       | LA-034       | Brake Ring Screw              |            | 1   |
| 15       | LA-036       | Spring                        |            | 2   |
| 16       | BUTW31612    | Screw                         | 3/16"x1/2" | 4   |
| 17       | LA-037       | Brake Lock Stud               |            | 1   |
| 18       | LA-035       | Brake Assembly                |            | 1   |
| 19       | LA-065       | Spindle Pulley (four-step)    |            | 1   |
| 20       | LA-064       | Spindle Pulley Hub            |            | 1   |
| 21       | JTM1-021     | Key                           | 6x6x25mm   | 1   |
| 22       | VB-A33       | V-belt                        | A33        | 1   |
| 23       | VB225L100    | Timing Belt                   | 225L       | 1   |
| 24       | LA-027       | Timing Belt Flange            |            | 2   |
| 25       | LA-028       | Timing Belt Pulley            |            | 1   |
| 27       | JTM1-C27     | Flat Head Screw               |            | 8   |
| 28       | TS-0571072   | Hex Jam Nut                   | 5/8"-18NF  | 1   |
| 29       | LA-006       | Plastic Ball                  |            | 3   |
| 30       | LA-074       | Spindle Clutch Lever          |            | 1   |
| 31       | LA-073       | Cam Ring                      |            | 1   |
| 32       | JTM1-032     | Cam Ring Pin                  |            | 2   |
| 33       | JTM1-C33     | E-Ring                        |            | 1   |
| 34       | LA-039       | Brake Lock Handle             |            | 1   |
| 35       | LA-038       | Brake Lock Pin                |            | 1   |
| 36       | TS-0680061   | Washer                        | 1/2"       | 1   |
| 37       | JTM1-037     | Spindle Speed Plate (JTM-1)   |            | 1   |
|          | JTM1-037A    | Spindle Speed Plate (JTM-2)   |            | 1   |
| 39       | JTM1-039A    | Belt Guard                    |            | 2   |
| 41       | LA-012       | Motor Mount Studs             |            | 2   |
| 42       | LA-015       | Belt Housing                  |            | 1   |
| 43       | LA-007       | Motor Lock Nut                |            | 2   |
| 44       | LA-008       | Washer                        |            | 1   |
| 45       | LA-009       | Motor Lock Nut Handle         |            | 4   |
| 49       | LA-011       | Motor Pulley (four-step)      |            | 1   |
| 50       | LA-013       | Gear Housing Cover            |            | 1   |
| 51       | JTM1-C51     | Hex Socket Cap Screw          | M5x14      | 4   |
| 55       | JTM1-055     | Oil Cup                       |            | 1   |
| 56       | JTM1-C56     | Key                           |            | 1   |
| 57       | LA-062       | Spindle Gear Hub              |            | 1   |
| 58       | LA-061       | Spindle Bull Gear Assembly    |            | 1   |
| 59       | BB-6203ZZ    | Ball Bearing                  |            | 1   |
| 60       | LA-026       | Shaft                         |            | 1   |
| 61       | JTM1-061     | Key                           | 5x5x15mm   | 1   |
| 62       | LA-025       | Gear                          |            | 1   |
| 63       | BB-6203ZZ    | Ball Bearing                  |            | 1   |
| 64       | LA-032       | Dowel Pin                     |            | 1   |
| 65       | LA-031       | Back Gear Shifter Fork        |            | 1   |
| 66       | LA-014       | Gear Housing                  |            | 1   |
| 69       | TS-1503041   | Hex Socket Cap Screw          | M6x16      | 6   |
| 71       | BB-6208ZZ    | Ball Bearing                  |            | 2   |
| 72       | JTM1-C72     | Snap Ring                     |            | 1   |

| Index No | Part No     | Description                               | Size             | Qty |
|----------|-------------|---|------------------|-----|
| 73       | JTM1-C73    | Lock Washer                               |                  | 1   |
| 74       | LA-059      | Bearing Lock Nut                          |                  | 1   |
| 75       | JTM1-C75    | Hardened Nut                              | 7/16"            | 1   |
| 76       | LA-045      | T-Bolt                                    |                  | 3   |
| 77       | JTM1-C77    | Bolt Washer                               |                  | 3   |
| 78       | LA-001      | Shift Crank                               |                  | 1   |
| 79       | JTM-C79     | Spring Pin                                |                  | 1   |
| 80       | LA-044      | Back Gear Shift Bushing                   |                  | 1   |
| 81       | LA-003      | Shaft Crank Handle                        |                  | 1   |
| 82       | LA-006      | Plastic Ball                              |                  | 1   |
| 83       | LA-004      | Gearshift Plunger                         |                  | 1   |
| 84       | LA-005      | Compression Spring                        |                  | 1   |
|          | JTM1-M2     | Motor (not shown)                         | 2HP 3PH 220V     | 1   |
|          | JTM1-598    | Fwd/Rev Switch (not shown)                | for 3PH, 2/4P    | 1   |
|          | JTM1-598A   | Switch Speed Plate (not shown)            |                  | 1   |
|          | JTM1-598B   | Switch Knob (not shown)                   |                  | 1   |
|          | JTM1-598C   | Switch Bracket (not shown)                |                  | 1   |
|          | JTM1-598D   | Metal Switch Box (not shown)              |                  | 1   |
|          | JTM2-M1     | Motor (not shown)                         | 2HP 1PH 115/230V | 1   |
|          | JTM2-SC     | Start Capacitor                           | 500MFD, 125AC    | 1   |
|          | JTM2-598CP  | Switch Assembly CP (not shown)            |                  | 1   |
|          | JTM2-599    | Fwd/Rev Switch (not shown)                | for 1PH          | 1   |
|          | JTM2-599A   | Switch Plate (not shown)                  |                  | 1   |
|          | JTM2-599B   | Switch Plate Mounting Screw (not shown)   |                  | 1   |
|          | JTM2-599C   | Motor – Switch Wiring Harness (not shown) |                  | 1   |
|          | BD1325R-X02 | Centrifugal Switch (not shown)            |                  | 1   |

15.2.1 Head Assembly – Exploded View



## 15.2.2 Head Assembly – Parts List

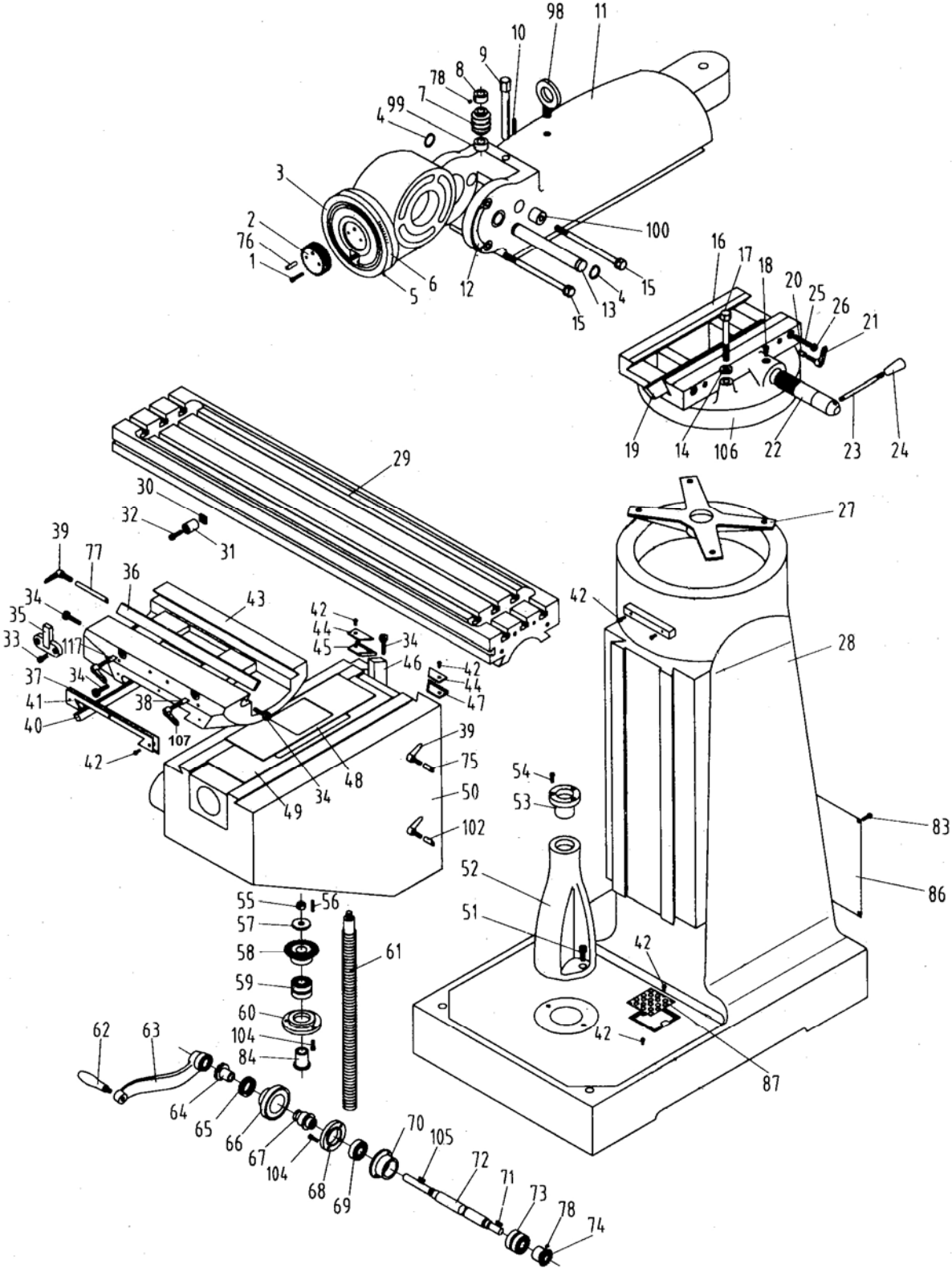
| Index No | Part No    | Description   | Size     | Qty |
|----------|------------|---|----------|-----|
|          | LA-166A    | Worm Gear Cradle Assembly (includes #1-17,36,37,40) |          | 1   |
| 1        | TS-1533042 | Screw   | M5x10    | 6   |
| 2        | HA-002     | Bevel Pinion Washer                                 |          | 1   |
| 3        | HA-003     | Feed Gear   |          | 1   |
| 4        | LA-161     | Shaft Sleeve  |          | 1   |
| 5        | LA-162     | Worm Cradle Bushing                                 |          | 1   |
| 6        | TS-1523011 | Set Screw   | M6x6     | 9   |
| 7        | LA-163     | Worm Gear Spacer                                    |          | 1   |
| 8        | LA-164     | Feed Drive Worm Gear                                |          | 1   |
| 9        | LA-165     | Worm Gear Shaft                                     |          | 1   |
| 10       | HA-010     | Worm Shaft Key                                      | 3x3x8mm  | 1   |
| 11       | HA-011     | Key   | 3x3x20mm | 1   |
| 12       | HA-012     | Lock Nut  | M6x16    | 1   |
| 13       | HA-013     | Washer  |          | 1   |
| 14       | HA-014     | Cluster Gear key                                    | 3x3x8.5  | 1   |
| 15       | LA-154     | Feed Reverse Bevel Gear                             |          | 1   |
| 16       | LA-167     | Feed Engage Pin                                     |          | 1   |
| 17       | LA-166     | Worm Gear Cradle                                    |          | 1   |
| 18       | LA-033     | Worm Gear Throw-out                                 |          | 1   |
| 19       | LA-002     | Shift Sleeve  |          | 1   |
| 20       | LA-004     | Plunger   |          | 2   |
| 21       | LA-005     | Spring  |          | 3   |
| 22       | HA-022     | Spring Pin  | 3x22mm   | 2   |
| 23       | LA-003     | Cam Rod   |          | 2   |
| 24       | LA-006     | Plastic Ball  |          | 3   |
| 27       | LA-147     | Upper Bushing                                       |          | 1   |
| 28       | LA-144     | Cluster Gear Assembly                               |          | 1   |
| 29       | HA-029     | Cluster Gear Key                                    | 3x3x45mm | 1   |
| 31       | LA-143     | Cluster Gear Shaft                                  |          | 1   |
| 32       | HA-032     | Snap Ring   |          | 2   |
| 33       | LA-142     | Bevel Gear Bushing                                  |          | 1   |
| 34       | LA-141     | Thrust Spacer                                       |          | 1   |
| 36       | LA-156     | Feed Drive Gear                                     |          | 1   |
| 37       | HA-037     | Key   | 3x3x10mm | 1   |
| 40       | LA-157     | Feed Drive Gear                                     |          | 1   |
| 41       | HA-041     | Needle Bearing                                      |          | 1   |
| 42       | LA-168     | Bushing   |          | 1   |
| 43       | LA-139     | Worm  |          | 1   |
| 44       | LA-138     | Feed Worm Shaft Bushing                             |          | 1   |
| 47       | LA-137     | Bevel Gear Thrust Spacer                            |          | 1   |
| 48       | LA-134     | Bushing   |          | 2   |
| 49       | LA-135     | Feed Reverse Bevel Gear                             |          | 2   |
| 50       | LA-136     | Feed Reverse Clutch                                 |          | 1   |
| 55       | LA-132     | Reverse Clutch Rod                                  |          | 1   |
| 56       | HA-056     | Spring Pin  | 3x20mm   | 1   |
| 57       | LA-133     | Feed Worm Shaft                                     |          | 1   |
| 59       | HA-059     | Spring Pin  | 3x12mm   | 2   |
| 60       | LA-150     | Feed Shift Rod                                      |          | 1   |
| 61       | TS-1522031 | Set Screw   | M5x10    | 1   |
| 62       | HA-062     | Key   | 3x3x15mm | 1   |
| 63       | LA-149     | Feed Gear Shift Fork                                |          | 1   |
| 64       | LA-151     | Cluster Gear Shift Crank                            |          | 1   |
| 66       | LA-148     | Cluster Gear Cover                                  |          | 1   |
| 67       | TS-1504011 | Hex Socket Cap Screw                                | M8x10    | 4   |
| 73       | TS-1502081 | Hex Socket Cap Screw                                | M5x35    | 2   |
| 74       | LA-081     | Clutch Ring Pin                                     |          | 2   |
| 75       | LA-080     | Clutch Ring   |          | 1   |
| 76       | TS-1524011 | Set Screw   | M8x8     | 1   |
| 78       | LA-082     | Overload Clutch Lookout                             |          | 1   |
| 79       | LA-083     | Safety Clutch Spring                                |          | 1   |

| Index No | Part No    | Description                       | Size     | Qty |
|----------|------------|-----------------------------------|----------|-----|
| 80       | LA-084     | Overload Clutch                   |          | 1   |
| 81       | LA-085     | Overload Clutch Sleeve            |          | 1   |
| 82       | LA-090     | Key                               |          | 1   |
| 83       | TS-1532052 | Pan Head Machine Screw            | M4x16    | 3   |
| 85       | TS-1523031 | Set Screw                         | M6x10    | 2   |
| 88       | LA-169     | Spring                            |          | 1   |
| 89       | LA-089     | Spring Plunger                    |          | 1   |
| 90       | LA-123     | Pinion Shaft Bushing              |          | 1   |
| 91       | LA-122     | Spacer                            |          | 1   |
| 92       | LA-087     | Overload Clutch Worm Gear (Brass) |          | 1   |
| 93       | LA-086     | Overload Clutch Ring              |          | 1   |
| 94       | HA-094     | Snap Ring                         |          | 1   |
| 96       | LA-079     | Trip Lever                        |          | 1   |
| 97       | LA-078     | Washer                            |          | 1   |
| 98       | HA-098     | Snap Ring                         |          | 1   |
| 99       | LA-076     | Clutch Arm Cover                  |          | 1   |
| 100      | TS-1523051 | Set Screw                         | M6x10    | 1   |
| 101      | HA-101     | Lock Nut                          |          | 1   |
| 102      | LA-077     | Pin                               |          | 3   |
| 103      | LA-091     | Cam Rod                           |          | 1   |
| 104      | LA-100     | Trip Handle                       |          | 1   |
| 106      | LA-092     | Feed trip Bracket                 |          | 1   |
| 107      | TS-1503051 | Hex Socket Cap Screw              | M6x20    | 2   |
| 109      | HA-109     | Key                               | 3x3x10mm | 1   |
| 110      | LA-130     | Feed Reverse Knob Stud            |          | 1   |
| 111      | LA-131     | Reverse Knob                      |          | 1   |
| 112      | HA-112     | Snap Ring                         |          | 1   |
| 113      | LA-129     | Handwheel Clutch                  |          | 1   |
| 114      | SB-3/16    | Steel Ball                        | 3/16"    | 2   |
| 115      | HA-115     | Spring                            |          | 2   |
| 117      | HA-117     | Spring Pin                        |          | 1   |
| 118      | LA-093     | Cam Rod Sleeve Assembly           |          | 1   |
| 121      | LA-095     | Trip Plunger                      |          | 1   |
| 123      | LA-121A    | Bushing                           |          | 1   |
| 124      | LA-097     | Feed Trip Plunger                 |          | 1   |
| 125      | LA-126     | Handwheel                         |          | 1   |
| 126      | LA-125     | Handle                            |          | 1   |
| 127      | LA-050A    | Spindle                           |          | 1   |
| 128      | LA-060     | Quill Skirt                       |          | 1   |
| 129      | LA-048     | Lock Nut                          |          | 1   |
| 131      | BB-6206ZZ  | Ball Bearing                      | 6206-ZZ  | 1   |
| 133      | LA-051     | Nose Piece                        |          | 1   |
| 134      | LA-052     | Spindle Shield                    |          | 1   |
| 135      | BB-7207C   | Ball Bearing                      |          | 2   |
| 136      | LA-054     | Bearing Spacer (large)            |          | 1   |
| 137      | LA-053     | Bearing Spacer (small)            |          | 1   |
| 140      | LA-172     | Set Screw                         |          | 1   |
| 142      | LA-058     | Quill                             |          | 1   |
| 143      | TS-154021  | Hex Nut                           | M4       | 1   |
| 144      | TS-1521071 | Set Screw                         | M4x20    | 1   |
| 145      | LA-098     | Feed Trip Lever                   |          | 1   |
| 146      | LA-099     | Trip Lever Pin                    |          | 1   |
| 148      | LA-111     | Quill Lock Sleeve                 |          | 1   |
| 149      | LA-109     | Lock Handle                       |          | 1   |
| 150      | HA-150     | Screw                             | M5x10    | 2   |
| 151      | LA-057     | Felt Washer                       |          | 1   |
| 153      | LA-110     | Quill Lock Sleeve                 |          | 1   |
| 155      | LA-043     | T-Bolt Assembly                   |          | 4   |
| 156      | LA-046     | Spacer                            |          | 4   |
| 157      | LA-040     | Lock Nut                          |          | 4   |
| 158      | HA-158     | Screw                             | M4x5     | 2   |
| 159      | LA-118     | Micrometer Scale                  |          | 1   |

| Index No | Part No    | Description                               | Size            | Qty |
|----------|------------|---|-----------------|-----|
| 161      | LA-115     | Quill Micro-Stop Nut                      |                 | 1   |
| 162      | LA-116     | Micrometer Nut                            |                 | 1   |
| 163      | LA-117     | Quill Stop Knob                           |                 | 1   |
| 164      | LA-112     | Quill Micro-Screw                         |                 | 1   |
| 165      | LA-165A    | Screw                                     | 3/8-24UNF x 3/4 | 1   |
| 166      | LA-101     | Quill Pinion Shaft                        |                 | 1   |
| 168      | LA-101A    | Pin                                       |                 | 1   |
| 171      | HA-171     | Key                                       |                 | 2   |
| 172      | LA-107     | Pinion Shaft Hub                          |                 | 1   |
| 173      | TS-0270021 | Set Screw                                 | 5/16"x1/4"      | 1   |
| 175      | LA-106     | Hub                                       |                 | 1   |
| 176      | LA-104     | Hub Sleeve                                |                 | 1   |
|          | LA-102/3   | Clock Spring Assembly (includes #177,178) |                 | 1   |
| 177      | LA-103     | Spring Cover                              |                 | 1   |
| 178      | LA-102     | Clock Spring                              |                 | 1   |
| 179      | TS-0680061 | Washer                                    | 1/2"            | 1   |
| 181      | TS-1523011 | Set Screw                                 | M6x6            | 2   |
| 183      | LA-113     | Lever                                     |                 | 1   |
| 184      | LA-114     | Plunger                                   |                 | 1   |
| 185      | LA-124     | Screw                                     |                 | 1   |
| 186      | LA-018     | Worm Gear                                 |                 | 1   |
| 188      | LA-173     | Set Screw                                 |                 | 1   |
| 189      | LA-019     | Worm Shaft                                |                 | 1   |
| 190      | LA-105     | Handle                                    |                 | 1   |
| 191      | LB-017     | Plastic Ball                              |                 | 1   |
| 192      | LA-016     | Quill Housing                             |                 | 1   |
| 193      | HA-193     | Spring                                    | 10x20mm         | 1   |
| 194      | RINS30     | Snap Ring                                 |                 | 1   |
| 195      | BH1291     | Lock Washer                               |                 | 1   |
| 196      | TS-1524011 | Set Screw                                 | M8x8            | 1   |
| 197      | TS-0561031 | Hex Nut                                   | 3/8"            | 1   |



15.3.1 Base Assembly – Exploded View

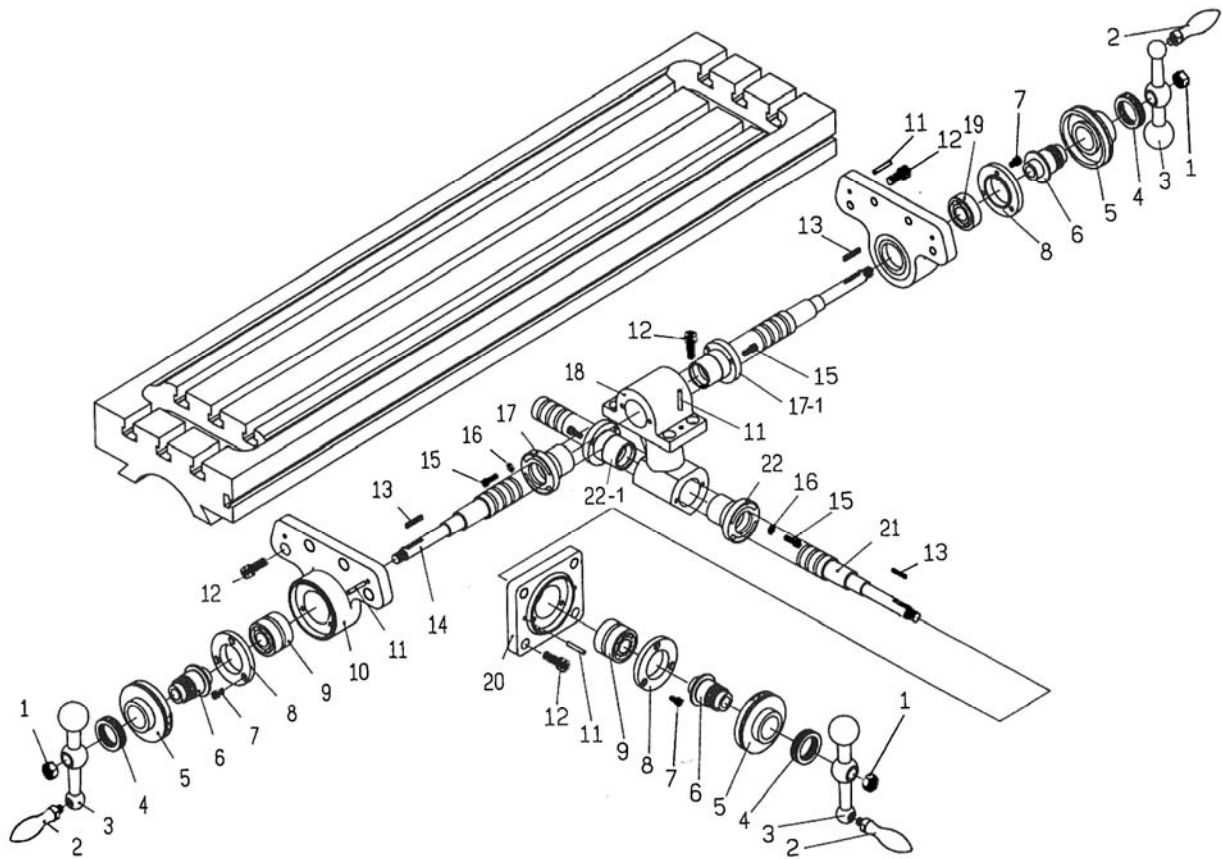


### 15.3.2 Base Assembly – Parts List

| Index No | Part No    | Description                            | Size       | Qty |
|----------|------------|--|------------|-----|
| 1        | LB-001     | Hex Socket Cap Screw                   | M6 x30     | 2   |
| 2        | LB-023     | Gear                                   |            | 1   |
| 3        | LB-020     | Ram Adapter                            |            | 1   |
| 4        | LB-004     | Snap Ring                              | S-28       | 2   |
| 5        | LB-005     | Rivet                                  |            | 15  |
| 6        | LB-027     | Adapter Scale                          |            | 1   |
| 7        | LB-035     | Worm                                   |            | 1   |
| 8        | LB-036     | Worm Thrust Washer                     |            | 1   |
| 9        | LB-034     | Shaft                                  |            | 1   |
| 10       | LB-100     | Key                                    | 5 x 5 x 40 | 1   |
| 11       | MB-026     | Ram                                    |            | 1   |
| 12       | LB-032     | Angle Plate                            |            | 1   |
| 13       | LB-028     | Adapter Pivot Stud                     |            | 1   |
| 14       | LB-031     | Washer                                 |            | 4   |
| 15       | LB-030     | Adapter Locking Bolt                   |            | 3   |
| 16       | MB-009     | Turret                                 |            | 1   |
| 17       | LB-030     | Lock Bolt                              |            | 4   |
| 18       | LB-041     | Ram Pinion Screw                       |            | 1   |
| 19       | LB-011     | Ram/Turret Gib                         |            | 1   |
| 20       | LS-005E    | Lock Plunger                           |            | 2   |
| 21       | LB-014     | Ram Lock Bolt Handle                   |            | 2   |
| 22       | LB-015     | Ram Pinion                             |            | 1   |
| 23       | LB-016     | Handle                                 |            | 1   |
| 24       | LB-017     | Black Plastic Ball                     |            | 1   |
| 25       | TS-0211131 | Set Screw                              | 3/8 x 2    | 2   |
| 26       | TS-0561031 | Hex Nut                                | 3/8        | 2   |
| 27       | MB-008     | Spider                                 |            | 1   |
| 28       | MB-000     | Column (serial # 1999/4/29 and lower)  |            | 1   |
|          | MB-000A    | Column (serial # 1999/4/30 and higher) |            | 1   |
| 29       | JTM1-330A  | Table                                  |            | 1   |
| 30       | LT-027     | Stop Nut                               |            | 2   |
| 31       | LT-028     | Table Stop                             |            | 2   |
| 32       | TS-1504071 | Hex Socket Cap Screw                   | M8 x 35    | 2   |
| 33       | TS-1504031 | Hex Socket Cap Screw                   | M8 x 16    | 2   |
| 34       | LK-002     | Gib Adjusting Screw                    |            | 6   |
| 35       | LS-003     | Table Stop Bracket                     |            | 1   |
| 36       | LS-008     | Saddle/Table Gib                       |            | 1   |
| 37       | LS-013     | Felt Wiper                             |            | 2   |
| 38       | LS-005B    | Table Lock Plunger                     | 16mm       | 2   |
| 39       | LS-011     | Saddle Lock Handle                     |            | 5   |
| 40       | LS-001     | Saddle/Knee Gib                        |            | 1   |
| 41       | LS-014     | Wiper Plate                            |            | 2   |
| 42       | LS-042     | Screw                                  |            | 16  |
| 43       | MS-000     | Saddle                                 |            | 1   |
| 44       | LS-017A    | Wiper Felt                             |            | 2   |
| 45       | LS-016A    | Felt (left)                            |            | 1   |
| 46       | LK-001     | Knee/Column Gib                        |            | 1   |
| 47       | LS-016     | Knee/Wiper Felt (right)                |            | 1   |
| 48       | LK-007     | Upper Chip Guard                       |            | 1   |
| 49       | LK-006     | Lower Chip Guard                       |            | 1   |
| 50       | MK-000     | Knee                                   |            | 1   |
| 51       | TS-1505031 | Hex Socket Cap Screw                   | M10 x 25   | 2   |
| 52       | MK-012     | Elevating Screw Housing                |            | 1   |
| 53       | MK-014     | Elevating Screw Nut                    |            | 1   |
| 54       | TS-1503041 | Hex Socket Cap Screw                   | M6 x 16    | 8   |
| 55       | TS-0561052 | Hex Nut                                | 1/2-20UNF  | 1   |
| 56       | LK-058     | Key                                    | 4 x 4 x 30 | 1   |
| 57       | LK-022     | Washer                                 |            | 1   |
| 58       | MK-021     | Bevel Gear                             |            | 1   |
| 59       | BB-6306ZZ  | Ball Bearing                           |            | 2   |

| Index No | Part No      | Description                       | Size       | Qty     |
|----------|--------------|-----------------------------------|------------|---------|
| 60       | MK-019       | Bearing Retainer Ring             |            | 1       |
| 61       | MK-016       | Elevating Screw                   |            | 1       |
| 62       | LK-037       | Handle                            |            | 1       |
| 63       | LK-036       | Elevating Crank                   |            | 1       |
| 64       | LK-035       | Clutch Insert                     |            | 1       |
| 65       | LK-034       | Dial Lock Nut                     |            | 1       |
| 66       | LK-033       | Dial                              |            | 1       |
| 67       | LK-032       | Dial Holder                       |            | 1       |
| 68       | LK-030       | Bearing Retainer Ring             |            | 1       |
| 69       | BB-6204ZZ    | Ball Bearing                      |            | 1       |
| 70       | LK-029       | Bearing Cap                       |            | 1       |
| 71       | LK-075       | Key                               | 4 x 4 x 18 | 2       |
| 72       | MK-028       | Elevating Shaft                   |            | 1       |
| 73       | BB-6204ZZ    | Ball Bearing                      |            | 2       |
| 74       | MK-024       | Bevel Pinion                      |            | 1       |
| 75       | LK-003       | Plunger                           |            | 1       |
| 76       | LK-081       | Spring Pin                        | 8 x 30     | 1       |
| 77       | LS-010       | Saddle Lock Plunger               |            | 1       |
| 83       | MB-090       | Screw                             | 1/4 x 3/8  | 4       |
| 84       | MK-038       | Bushing                           |            | 1       |
| 86       | MB-004       | Cover                             |            | 1       |
| 87       | MB-041       | Strainer Screen                   |            | 2       |
| 98       | RIBW34       | Hoisting Ring                     |            | 1       |
| 99       | LB-036       | Worm Thrust Washer                |            | 1       |
| 100      | LB-033       | Thrust Washer                     |            | 1       |
| 102      | LK-003       | Lock Plunger                      |            | 1       |
| 104      | TS-1503051   | Hex Socket Cap Screw              | M6 x 20    | 6       |
| 105      | KEY3320      | Key                               | 3x3x20mm   | 1       |
| 106      | MB-00B       | Turret Scale                      |            | 1       |
| 107      | LS-006B      | Saddle Ratcheting Lever           |            | 3       |
| 117      | LS-005A      | Table Lock Plunger – L            |            | 3       |
|          | JTM1-WCF     | Flat Way Cover (not shown)        |            | 1       |
|          | JTM1-WCA     | Pleated Way Cover (not shown)     |            | 1       |
|          | JTM4VS-TB    | Tool Box Kit Complete (not shown) |            | 1       |
|          | STRIPE-1-3/4 | JET Stripe                        | 1-3/4"W    | per ft. |

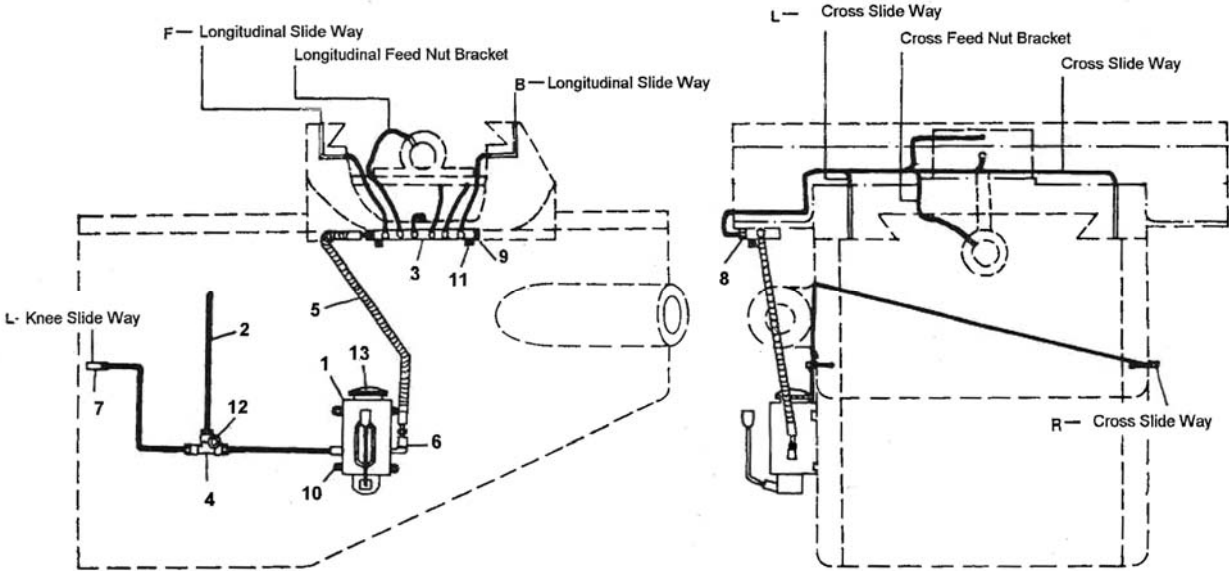
### 15.4.1 Table Leadscrew Assembly – Exploded View



### 15.4.2 Table Leadscrew Assembly – Parts List

| Index No | Part No    | Description                         | Size       | Qty |
|----------|------------|-------------------------------------|------------|-----|
| 1        | TS-0571052 | Jam Nut                             | 1/2-20UNF  | 3   |
| 2        | LT-010C    | Handle                              |            | 3   |
| 3        | LT-010B    | Ball Crank                          |            | 3   |
| 4        | LT-009     | Dial Lock Nut                       |            | 3   |
| 5        | LT-008     | Dial                                |            | 3   |
| 6        | LT-007     | Dial Holder                         |            | 3   |
| 7        | TS-1503021 | Hex Socket Cap Screw                | M6 x 12    | 3   |
| 8        | LT-005     | Bearing Retainer Ring               |            | 3   |
| 9        | BB-6204ZZ  | Ball Bearing                        |            | 3   |
| 10       | LT-002     | Bearing Bracket                     |            | 2   |
| 11       | LS-009     | Spring Pin                          | 5 x 30     | 8   |
| 12       | TS-1505031 | Hex Socket Cap Screw                | M10 x 25   | 16  |
| 13       | BD920-A04  | Key                                 | 3 x 3 x 25 | 3   |
| 14       | MT-015B    | Longitudinal Feed Screw             |            | 1   |
| 15       | TS-1503041 | Hex Socket Cap Screw                | M6 x 16    | 10  |
| 16       | TS-1550051 | Washer                              | M7         | 4   |
| 17       | MT-019B    | Feed Screw Nut Set (includes #17-1) |            | 1   |
| 18       | MT-017     | Feed Nut Bracket                    |            | 2   |
| 19       | BB-6204ZZ  | Ball Bearing                        |            | 1   |
| 20       | MT-025     | Cross Feed Bearing Bracket          |            | 1   |
| 21       | MT-024     | Cross Feed Screw                    |            | 1   |
| 22       | MT-022     | Cross Feed Nut Set (includes #22-1) |            | 2   |

15.5.1 One-Shot Lubrication System – Exploded View



15.5.2 One-Shot Lubrication System – Parts List

| Index No | Part No         | Description                                | Size    | Qty |
|----------|-----------------|--|---------|-----|
| .....    | LT-8-A          | Hand Oiler Assembly (includes #1,1A,4,5,9) |         | 1   |
| 1        | LT-8            | Hand Oiler                                 |         | 1   |
| 1A       | LT-8-SG         | Hand Oiler Sight Glass (with gasket)       |         | 1   |
| 2        | ALMP-04         | Aluminum Pipe                              | 3.5M    | 1   |
| .....    | ALMP-04-VS      | Oil Line Set w/ Fittings                   |         | 1   |
| 3        | DB-4            | Oil Regulating Distributor                 |         | 1   |
| 4        | PKD-4           | T-Joint                                    |         | 1   |
| 5        | FHC-404         | Flexible Steel Tube                        |         | 1   |
| 6        | PH-1-1/PB-4     | Check Joint                                |         | 2   |
| 7        | PH-4            | Elbow Joint                                |         | 2   |
| 8        | PA-4/PB-4       | Straight Joint                             |         | 14  |
| 9        | PG-004          | Union                                      |         | 1   |
| 10       | JTM4VS-BUTW1458 | Screw                                      |         | 4   |
| 11       | TS-1503061      | Hex Socket Cap Screw                       | M6 x 25 | 2   |
| 12       | TS-1502061      | Hex Socket Cap Screw                       | M5 x 25 | 1   |
| 13       | LT-8-C          | Oil Cap                                    |         | 1   |