



Operating Instructions and Parts Manual Variable Speed Turret Mill

Model: JTM-1054R



For serial no. 120xxxx and higher

JET
427 New Sanford Road
LaVergne, Tennessee 37086
Ph.: 800-274-6848
www.jettools.com

Part No. M-690053
Revision B1 06/2014
Copyright © 2014 JET

Parts

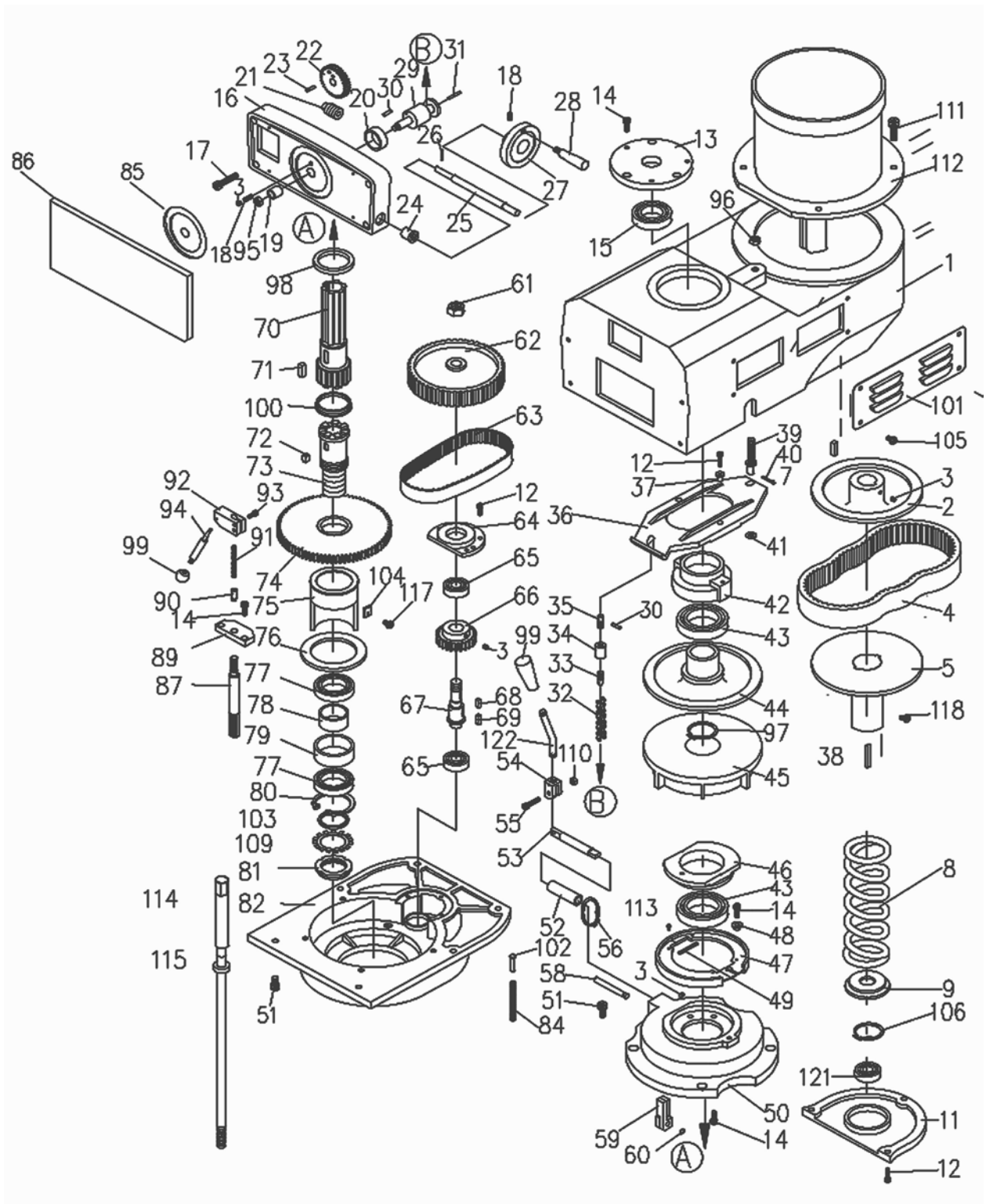
Variable Speed Head Assembly

Index No	Part No	Description	Size	Qty
1	PVS-001	Housing		1
2	PVS-002	Motor Pulley		1
3	TS-1523011	Set Screw	M6x6	4
4	PVS-004	Belt	3830900	1
5	PVS-005	Motor Pulley		1
7	KEY7725	key	7x7x25	1
8	PVS-008	Motor Pulley Spring		1
9	PVS-009	Spring Stop Washer		1
11	PVS-011	Motor Pulley Cover		1
12	TS-1502051	Hex Socket Cap Screw	M5x20	9
13	PVS-013	Cover		1
14	TS-1502041	Hex Socket Cap Screw	M5x16	1
15	BB-6007ZZ	Ball Bearing	6007ZZ	1
16	PVS-016	Dial Cover		1
17	TS-1502081	Hex Socket Cap Screw	M5x35	4
18	TS-1503041	Hex Socket Cap Screw	M6x16	3
19	PVS-019	Bushing		1
20	PVS-020	Bushing		1
21	PVS-021	Worm		1
22	PVS-022	Worm Gear		1
23	PVS-023	Spring Pin	5x10	2
24	PVS-024	Bushing		2
25	PVS-025	Dial Control Shaft		1
26	PVS-026	Spring Pin	3x12	2
27	PVS-027	Dial Wheel		1
28	PVS-028	Wheel Handle		1
29	PVS-029	Shaft		1
30	PVS-030	Spring Pin	4x35	2
31	PVS-031	Spring Pin	3x25	1
32	PVS-032	Speed Change Chain		1
33	PVS-033	Adjustment Stud		1
34	PVS-034	Sleeve Nut		1
35	PVS-035	Adjustment Stud		1
36	PVS-036	Tilter		1
37	PVS-037	Bushing		2
38	KEY8760	Key	8x7x60	2
39	PVS-039	Regulating Screw		1
40	PVS-040	Spring Pin	4x12	1
41	PVS-041	Washer		1
42	PVS-042	Support		1
43	BB-6010ZZ	Ball Bearing	6010ZZ	2
44	PVS-044	Drive Pulley Assembly		1
45	PVS-045	Steady Pulley		1
46	PVS-046	Bearing Cover		1
47	PVS-047	Brake Lining		1
48	PVS-048	Lock Screw		1
49	PVS-049	Brake Spring		2
50	PVS-050	Lower Housing Cover		1
51	TS-1503051	Hex Socket Cap Screw	M6x20	10
52	PVS-052	Brake Shaft Sleeve		1
53	PVS-053	Brake Lock Shaft		1
54	PVS-054	Brake Lock Block		1
55	TS-1503061	Hex Socket Cap Screw	M6x25	1
56	PVS-056	Snap Ring	S-12	1

Variable Speed Head Assembly

Index No	Part No	Description	Size	Qty
58	PVS-058	Brake Finger Pivot Stud		1
59	PVS-059	Brake Stud		2
60	PVS-060	Snap Ring	S-8	1
61	PVS-061	Nut	5/8"-18NF	1
62	PVS-062	Timing Belt Pulley		1
63	PVS-063	Timing Belt	225L100	1
64	PVS-064	Bearing Housing		1
65	BB-6203ZZ	Ball Bearing	6203ZZ	2
66	PVS-066	Bull Gear		1
67	PVS-067	Counter Shaft		1
68	KEY5515	Key	5x5x15	1
69	KEY5518	Key	5x5x18	1
70	PVS-070	Spindle Pulley Hub		1
71	KEY8720	Key	8x7x20	1
72	KEY8712	Key	8x7x12	1
73	PVS-073	Spindle Gear Hub		1
74	PVS-074	Gear		1
75	PVS-075	Rack Cup		1
76	PVS-076	Washer		1
77	BB-6908ZZ	Ball Bearing	6908ZZ	2
78	PVS-078	Bearing Washer		1
79	PVS-079	Bearing Washer		1
80	PVS-080	Snap Ring	C-62	1
81	PVS-081	Nut		1
82	PVS-082	Housing		1
84	PVS-084	Spring		3
85	PVS-085	Vari-Speed Plate		1
86	PVS-086	Plastic Face Plate		1
87	PVS-087	Gear Shaft Pinion		1
89	PVS-089	Deter Plate		1
90	PVS-090	Bearing Stop		1
91	PVS-091	Spring		1
92	PVS-092	Pinion Block		1
93	TS-1503011	Hex Socket Cap Screw	M5x14	2
94	PVS-094	Pinion Crank		1
95	PVS-095	Cap Nut		1
96	PVS-096	Nut	3/8"	1
98	PVS-098	Wave Washer		1
99	PVS-099	Plastic Ball		2
100	PVS-100	Collar		1
101	PVS-101	Cover		2
102	PVS-102	Spring Shaft		3
103	PVS-103	Washer		1
105	PVS-105	Round Head Screw	3/16"x3/8"	1
106	PVS-106	Snap Ring	S-28	1
109	PVS-109	Lock Washer		1
110	TS-1540041	Nut	M6	1
111	TS-0209051	Hex Socket Cap Screw	3/8"x1"	2
112	PVS-112	Motor		1
113	PVS-113	Round Head Screw	1/8"x1/4"	4
114	PVS-114	Draw Bar		1
115	PVS-115	Draw Bar Washer		1
118	PVS-118	Hex Socket Cap Screw	M5x6	1
121	BB-6024ZZ	Ball Bearing	6204ZZ	1
122	PVS-122	Handle		1

Variable Speed Head Assembly



Head Assembly

Index No	Part No	Description	Size	Qty
1	TS-1503031	Hex Socket Cap Screw	M6x12	1
2	B-2	Washer		1
3	B-3	Feed Bevel Pinion		1
4	B-4	Worm Gear Shaft Sleeve		1
5	B-5	Bushing		1
6	TS-1522011	Set Screw		1
8	B-8	Worm Gear		1
10	KEY3312	Key	3x312	1
12	TS-1504031	Hex Socket Cap Screw	M8x16	1
13	B-13	Washer		1
14	KEY3308	Key	3x3x8	2
15	B-15	Bevel Gear		1
16	B-16	Feed Engage Pin		1
17	1050B-17	Worm Gear Cradle		1
18	B-18	Worm Gear Cradle Shaft		1
19	1050B-19	Shaft Sleeve		1
20	B-20	Gear Shaft Plunger		2
21	B-21	Spring		2
22	1050B-22	Spring Pin	3x20	2
23	B-23	Shift Crank		2
24	B-24	Black Plastic Ball		3
25	TS-1503010	Hex Socket Cap Screw	M5/12	3
27	B-27	Bushing		1
28	B-28	Gear		1
29	KEY3345	Key	3x3x45	1
31	1050B-31	Gear Shaft		1
32	1050B-32	Snap Ring	S-16	1
33	1050B-33	Bevel Gear Bushing		1
34	1050B-34	Spacer		1
36	1050B-36	Gear		1
39	TS-1540031	Nut	M5	1
40	1050B-40	Feed Drive Gear		1
41	1050B-41	Needle Bearing		1
42	1050B-42	Bushing		1
43	1050B-43	Worm Gear		1
44	B-44	Bushing		1
47	B-47	Washer		1
48	B-48	Bushing		2
49	B-49	Bevel Gear		2
50	B-50	Feed Reverse Clutch		1
54	TS-1503061	Hex Socket Cap Screw	M6x25	1
55	B-55	Reverse Clutch Rod		1
56	B-56	Spring Pin	3x20	1
57	B-57	Feed Worm Shaft		1
58	TS-1523011	Set Screw	M6x6	1
59	B-59	Spring Pin	3x12	2
60	B-60	Chip Guards		1
61	TS-1522031	Set Screw	M5x10	1
62	KEY3315	KEY	3x3x15	2
63	B-63	Feed Gear Shift Fork		1
64	B-64	Gear Shift Crank		1
66	B-66	Cluster Gear Cover		1
67	TS-1502031	Hex Socket Cap Screw	M5x12	4
73	TS-1502081	Hex Socket Cap Screw	M5x35	2
74	B-74	Clutch Ring Pin		2
75	B-75	Clutch Ring		1

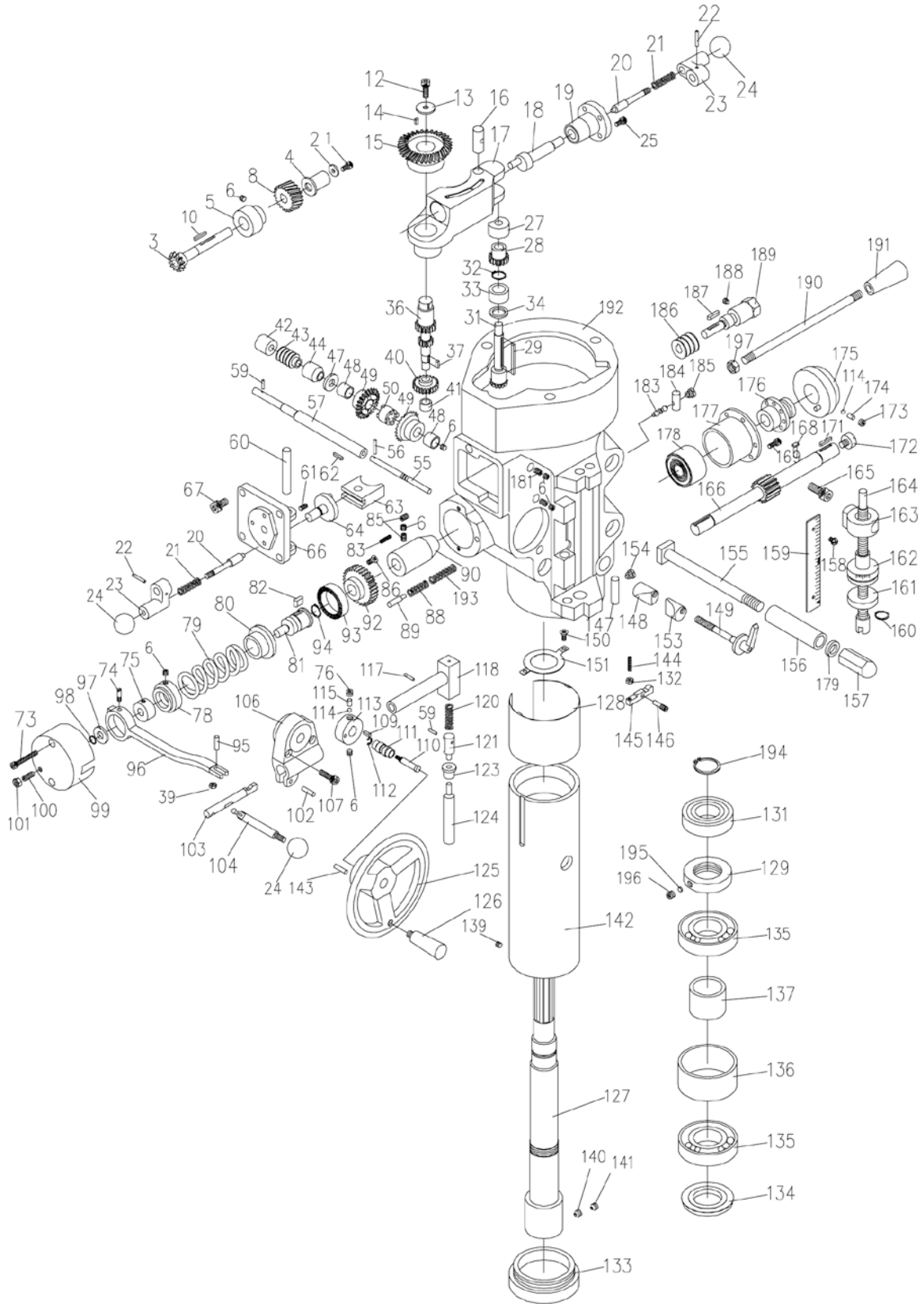
Head Assembly

Index No	Part No	Description	Size	Qty
76	TS-1523021	Set Screw	M6x8	1
78	B-78	Clutch Locknut		1
79	B-79	Safety Clutch Locknut		1
80	B-80	Overload Clutch		1
81	B-81	Overload Clutch Sleeve		1
82	KEY5813	Key	5x8x13	1
83	B-83	Hex Socket Head Bolt		3
85	TS-1523011	Set Screw	M6x6	2
86	B-86	Cross Plate Screw	M4x16	4
88	B-88	Spring		1
89	B-89	Spring Plunger		1
90	B-90	Bushing		1
92	B-92	Worm Gear		1
93	B-93	Clutch Ring		1
94	B-94	Snap Ring	S-10	1
95	TS-1502051	Hex Socket Cap Screw	M5x20	1
96	B-96	Clutch Trip Lever		1
97	B-97	Clutch Washer		1
98	B-98	Snap Ring	S-10	1
99	B-99	Clutch Arm Cover		1
100	C-19-1	Set Screw	M6x16	1
101	TS-1540041	Nut	M6	1
102	B-102	Spring Pin	5x18	1
103	B-103	Cam Rod		1
104	B-104	Trip Handle		1
106	B-106	Feed Trip Bracket		1
107	TS-1503051	Hex Socket Cap Screw	M6x20	1
108	TS-1523031	Set Screw	M6x10	1
109	KEY3310	Key	3x3x10	1
110	B-110	Knob Stud		1
111	B-111	Reverse Knob		1
112	B-112	E-Ring	E-6	1
113	B-113	Handle Wheel Clutch		1
114	B-114	Steel Ball	3/16"	2
115	B-115	Compression Spring		2
116	B-116	Set Screw	M8x6	1
117	B-117	Spring Pin	3x15	1
118	B-118	Cam Rod Sleeve		1
119	B-119	Spring Pin	3x12	1
120	B-120	Compression Spring		1
121	B-121	Trip Plunger		1
123	B-123	Bushing		4
124	B-124	Feed Trip Plunger		1
125	B-125	Handle Wheel		1
126	B-126	Handle		1
127	B-127	Spindle		1
128	B-128	Quill Skirt		1
129	B-129	Locknut		1
131	BB-6206ZZ	Ball Bearing	6206ZZ	1
132	B-132	Nut	M4	1
133	B-133	Nose Piece		1
134	B-134	Spindle Dirt Shield		1
135	BB-7207C	Angular Bearing	7207	1
136	B-136	Spacer		1
137	B-137	Spacer		1
138	BB-7207C	Angular Bearing	7207	1

Head Assembly

Index No	Part No	Description	Size	Qty
139	B-139	Set Screw		1
140	B-140	Set Screw		1
141	TS-1523011	Set Screw	M6x6	1
142	B-142	Quill		1
143	B-143	Spring Pin	3x16	1
144	B-144	Set Screw	M4x20	1
145	B-145	Feed Trip Lever		1
146	B-146	Trip Lever Pin		1
147	B-147	Indicator Rod		1
148	B-148	Quill Lock Sleeve		1
149	B-149	Lock Handle		1
150	B-150	Round Head Screw	M5x8	2
151	B-151	Washer	M5	2
153	B-153	Quill Lock Sleeve		1
154	B-154	Indicator Rod Screw		1
155	B-155	T-Bolt		4
156	B-156	Spacer		4
157	B-157	Adaptor Nut		4
158	B-158	Round Head Screw		2
159	B-159	Micrometer Scale		1
160	B-160	Snap Ring	S-16	1
161	B-161	Quill Micro-Stop Nut		1
162	B-162	Quill Micro-Stop Nut		1
163	B-163	Quill Stop Knob		1
164	B-164	Quill Micro-Stop Nut		1
165	B-165	Round Head Screw	M10x15	1
166	B-166	Quill Pinion Shaft		1
168	B-168	Pin		1
169	TS-1503010	Hex Socket Cap Screw	M5x12	2
171	KEY3320	Key	3x3x20	1
172	B-172	Pinion Shaft Hub Screw		1
173	B-173	Set Screw	5/16"x1/4"	1
174	B-174	Compression Spring		1
175	B-175	Handle Hub		1
176	B-176	Hub Sleeve		1
177	B-177	Spring Cover		1
178	B-178	Clock Spring		1
179	B-179	Washer		4
181	TS-1523041	Set Screw	M6x12	2
183	B-183	Reverse Trip Ball Lever		1
184	B-184	Reverse Trip Plunger		1
185	B-185	Trip Ball Lever Screw		1
186	B-186	Worm Gear		1
187	KEY4418	Key	4x4x18	1
188	B-188	Set Screw		1
189	B-189	Worm Shaft		1
190	B-190	Pinion Shaft Hub Handle		1
191	B-191	Black Plastic Ball		1
192	B-192	Quill Housing		1
193	B-193	Compression Spring		1
194	B-194	Snap Ring	S-30	1
195	B-195	Bush		1
196	TS-1523011	Set Screw	M6x6	1
197	B-197	Nut		1

Head Assembly



Base Assembly

Index No	Part No	Description	Size	Qty
1	JTM1050C-11	Hook		1
2	1050C-10	Ram		1
3	1050C-1	Worm Gear		1
3-1	1050C-14	Spring Pin		1
3-2	TS-1504061	Hex Socket Cap Screw	M8*30	2
4	1050C-4	Lock Nut		1
5	1050C-3	Adaptor Scale		1
6	1050C-16	Rivet		6
7	C-120	Ram Pinion		1
7-1	JTM1054R-7-1	Crank		1
7-2	JTM1054R-7-2	Plastic Ball		1
8	C-124	Turret		1
9	C-111	Gib		1
10	C-127	Bolt		4
10-1	C-123	Spring Washer		4
11	C-128	Set Screw		1
12	C-38A	Lock Handle	1/2"x25L	2
13	C-110	Set Screw	3/8"X60	2
13-1	C-109	Hex Nut	3/8"	2
13-2	C-126	Ram Lock Plunger		2
14	JTM1054R-14	Scale Label		1
15	JTM1055-B15	Rivet		4
16	C-118	Spider		1
17	JTM1055-B17N	Base (s/n 120xxxx and higher)		1
18	JTM1055-B18	Cover		1
18-1	JTM1055-B18-1	Round Head Screw	M5x10	4
19	C-132A	Breaker Box (W/#21)		1
20	C-133	Beaker		1
21	C-134	Breaker Box Cover		1
	C-133A	Breaker Box Assembly		1
22	JTM1055-B22	Strainer		1
23	JTM1055-B23	Lead Screw Housing		1
23-1	TS-1503041	Hex Socket Cap Screw	M6x16	3
24	JTM1055-B24	Flange		1
24-1	TS-1503061	Hex Socket Cap Screw	M6x35	2
25	JTM1055-B25	Lead Screw		1
25-1	JTM1055-B25-1	Key	5x5x20	1
26	JTM1055-B26	Flange		1
26-1	TS-1503051	Hex Socket Cap Screw	M6x20	3
27	JTM1055-B27	Ball Bearing	6204ZZ	3
28	JTM1055-B28	Bevel Gear		1
29	JTM1055-B29	Washer		1
30	JTM1055-B30	Hex Nut		1
31	JTM1055-B31	Bearing Cover		1
32	JTM1055-B32	Bearing Stop		1
33	JTM1055-B33	Dial Holder		1
34	JTM1055-B34	Dial Ring		1
35	JTM1055-B35	Dial Lock Nut		1
36	JTM1055-B36	Gear Shear Clutch		1
37	JTM1055-B37	Elevating Crank		1
38	JTM1055-B38	Handle		1
39	JTM1055-B39N	Knee (s/n 120xxxx and higher)		1
40	JTM1055-B40	Knee Front Cover		1
40-1	JTM1055-B40-1	Cross Head Screw	M5x20	4
41	JTM1055-B41	Shaft		1

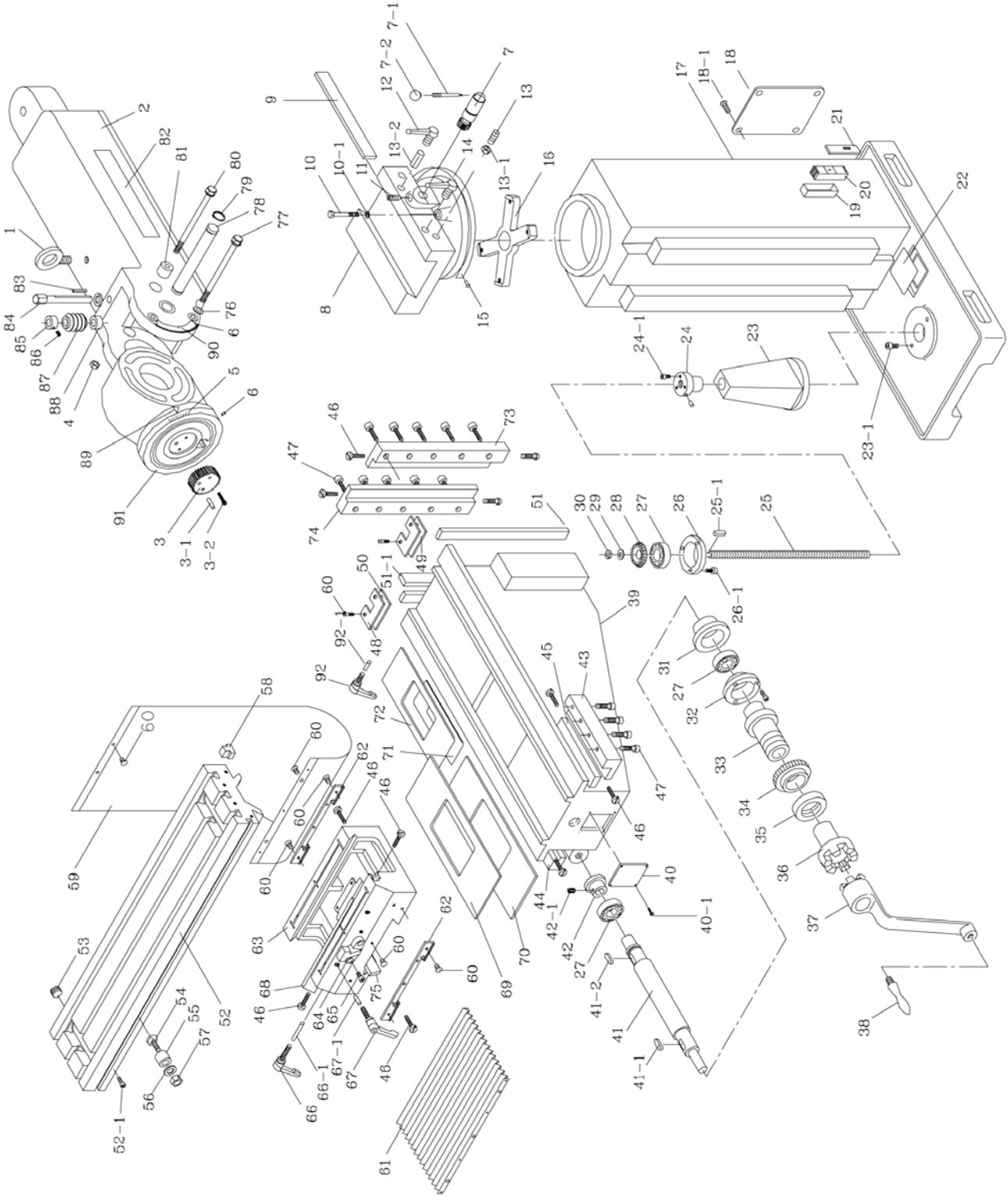
Base Assembly

Index No	Part No	Description	Size	Qty
41-1	JTM1055-B41-1	Key	3x3x10	1
41-2	JTM1055-B41-2	Key	4x4x16	1
42	JTM1055-B42	Bevel Gear		1
42-1	JTM1055-B42-1	Set Screw	M6x20	1
43	JTM1055-B43	Gib Holder-R		1
44	JTM1055-B44	Gib Holder-L		1
45	JTM1055-B045	Gib		2
46	JTM1055-B46	Adjusting Screw		12
47	JTM1055-B47	Hex Socket Cap Screw	M12x35	18
48	JTM1055-B48	Wiper Cover		2
49	JTM1055-B49	Wiper-R		1
50	JTM1055-B50	Wiper-L		1
51	JTM1055-B51N	Gib (s/n 120xxxx and higher)		2
51-1	JTM1055-B51-1N	Gib (s/n 120xxxx and higher)		1
52	JTM1055-B52	Table		1
52-1	TS-1502061	Hex Socket Cap Screw	M5x25	2
53	JTM1055-B53	Plug		2
54	JTM1055-B54	T-Bolt		2
55	JTM1055-B55	Bushing		2
56	JTM1055-B56	Flat Washer		2
57	JTM1055-B57	Hex Nut		2
58	JTM1055-B58	Rubber T-Nut		6
59	JTM1055-B59	Chip Guard		1
60	JTM1055-B60	Screw		22
61	JTM1055-B61	Dust Protective Cover		1
62	JTM1055-B62N	Wiper (s/n 120xxxx and higher)		2
63	JTM1055-B63	Saddle		1
64	JTM1055-B64	Stop Block		1
65	JTM1055-B65	Hex Socket Cap Screw		2
66	JTM1055-B66	Handle		2
66-1	JTM1055-B66-1	Brass Block		2
67	JTM1055-B67	Handle		2
67-1	JTM1055-B67-1	Brass Block		2
68	JTM1055-B68N	Gib (s/n 120xxxx and higher)		1
69	JTM1055-B69	Chip Guard-XL		1
70	JTM1055-B70	Chip Guard-L		1
71	JTM1055-B71	Chip Guard-M		1
72	JTM1055-B72	Chip Guard-S		1
73	JTM1055-B73	Gib Holder-R		1
74	JTM1055-B74	Gib Holder-L		1
75	JTM1055-B75N	Gib (s/n 120xxxx and higher)		1
	JTM1055-TBC	Tool Box complete(not shown)		1
	JTM1055-LP	Leveling Pad(not shown)		4
	JTM1055-LB	Leveling Bolt w/Nut(not shown)		4
	JTM1055-JS	JET Striping(not shown)		1
	JTM1055-ID	ID & Warning Label(not shown)		1
76	C-18	Washer		2
77	C-19	Locking Bolt		2
78	JTM1050C-17	Adaptor Pivot Stud		1
79	JTM1050C-79	C-Ring		1
80	C-19	Locking Bolt		1
81	C-19-1	Collar		1
82	JTM1054R-82	Name Plate		1
83	KEY5550	KEY	5*5*50	1
84	1050C-8	Worm Shaft		1

Base Assembly

Index No	Part No	Description	Size	Qty
85	C-7-1	Washer		1
86	JTM1050-C86	Set Screw	M6*8L	1
87	1050C-6	Worm Gear		1
88	1050C-12	Collar		1
89	JTM-1050C-89	Index Plate		1
90	JTM-1050C-15	Angle Plate	90°	1
91	1050C-2	Ram Adaptor		1
92	JTM1055-B12	Lock Handle	1/2"x40L	2
92-1	JTM1055-B12-1	Brass Block		2
	STRIPE-1-3/4	JET Striping (not shown)	1-3/4" W	per ft.

Base Assembly



Lead Screw Assembly

Index No	Part No	Description	Size	Qty
1	JTM1055-L01	Nut.....	1/2-20UNF	3
2	JTM1055-L02	Ball Crank.....		3
3	JTM1055-L03	Handle.....		3
4	JTM1055-L04	Dial Lock Nut.....		3
5	JTM1055-L05	Dial.....		3
6	JTM1055-L06	Dial Holder.....		2
7	JTM1055-L07	Dial Holder-(left).....		1
8	JTM1055-L08	Bearing Stop for Y-Axis.....		1
8N	JTM1055-L08N	Bearing Stop for X-Axis (s/n 120xxx and higher).....		2
9	BB-6204ZZ	Ball Bearing.....		5
10	JTM1055-L10N	Extended Bearing Bracket (s/n 120xxx and higher).....		2
11	JTM1055-L11	Spring Pin.....	M5X20	6
12	TS-1505031	Hex Socket Cap Screw.....	M10X25	16
13	JTM1055-L13	Key.....	3X3X25	4
14	JTM1055-L14N	Lead Screw for Ext. Bearing Bracket (s/n 120xxx and higher).....		1
15	TS-1503041	Hex Socket Cap Screw.....	M6X25	8
16	TS-1550041	Washer.....	M6	2
17	JTM1055-L17	Feed Screw Nut for X axis.....		1
17-1	JTM1055-L17-1	Feed Screw Nut for Y axis.....		1
18	JTM1055-L18	Feed Nut Bracket.....		1
19	TS-1514011	Hex Socket Cap Screw.....	M6X12	9
20	JTM1055-L20	Cross Feed Bearing Bracket.....		1
21	JTM1055-L21	Cross Feed Screw.....		1
22	JTM1055-L22	Adjustable Feed Nut for X axis.....		1
22-1	JTM1055-L22-1	Adjustable Feed Nut for Y axis.....		1
24	JTM1055-L24	Spacer.....		3
25	JTM1055-L25	Lock Washer.....	M6	2
26	JTM1055-L26	Cross Head Screw.....		2

