



Operating Instructions and Parts Manual Toe Jack

Models JTJ-2ST, JTJ-5ST and JTJ-10ST

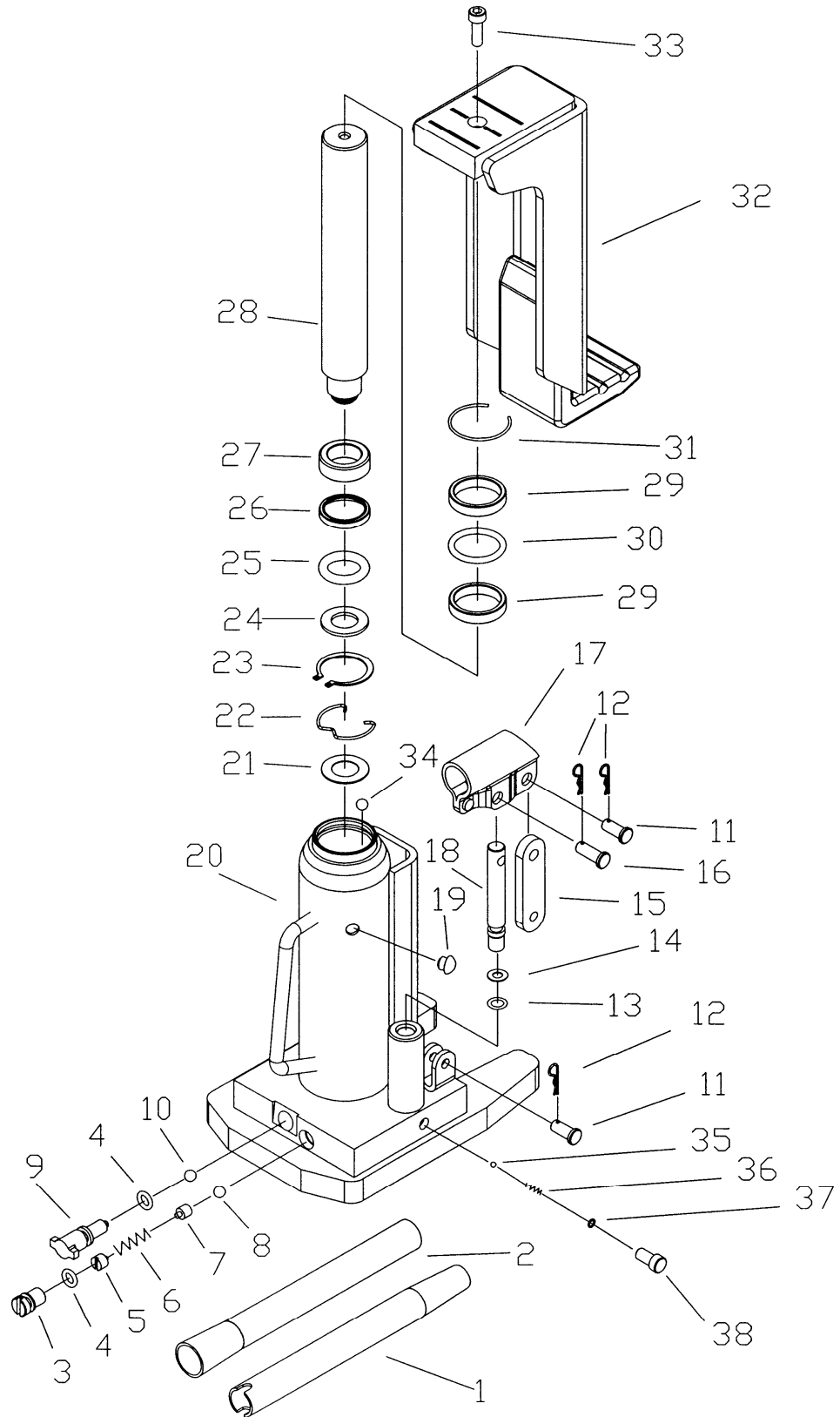


(5-Ton model shown)

JET
427 New Sanford Road
LaVergne, Tennessee 37086
Ph.: 800-274-6848
www.jettools.com

Part No. M-454502
Revision A1 05/2014
Copyright © 2014 JET

JTJ-2ST



Parts List for JTJ-2ST 2-Ton Toe Jack

Index No.	Part No.	Description	Size	Qty
1	JTJ2ST-01	Rear Handle		1
2	JTJ2ST-02	Front Handle		1
3	JTJ2ST-03	Sealing Bolt		1
4	JTJ10ST-03	O-Ring	7.1x2.65mm	2
5	JTJ2ST-05	Adjusting Screw		1
6	JTJ2ST-06	Safety Valve Spring		1
7	JTJ2ST-07	Ball Seat		1
8	SB-4MM	Steel Ball	4mm	1
9	JTJ2ST-09	Release Stem		1
10	SB-6MM	Steel Ball	6mm	1
11	JTJ2ST-11	Pin		2
12	JTJ2ST-12	Pin		3
13	JTJ2ST-13	O-Ring	6.7x1.8mm	1
14	JTJ2ST-14	Nylon Gasket		1
15	JTJ2ST-15	Rod Joint		1
16	JTJ2ST-16	Pin		1
17	JTJ2ST-17	Handle Socket		1
18	JTJ2ST-18	Pump Plunger		1
19	JTJ2ST-19	Oil Fill Plug		1
20	JTJ2ST-20	Body		1
21	JTJ2ST-21	Washer		1
22	JTJ2ST-22	Snap Ring		1
23	JTJ2ST-23	Snap Ring	16mm	1
24	JTJ2ST-24	Washer		1
25	JTJ2ST-25	O-Ring	19.5x5.3mm	1
26	JTJ2ST-26	Sealing Washer		1
27	JTJ2ST-27	Piston Ring		1
28	JTJ2ST-28	Ram		1
29	JTJ2ST-29	Bushing		2
30	JTJ2ST-30	O-Ring	26.4x3.6mm	1
31	JTJ2ST-31	Snap Ring		1
32	JTJ2ST-32	Toe		1
33	TS-1503041	Socket Head Cap Screw	M6x16	1
34	SB-5MM	Steel Ball	5mm	1
35	SB-5MM	Steel Ball	5mm	1
36	JTJ2ST-36	Spring		1
37	JTJ2ST-37	Washer		1
38	JTJ2ST-38	Screw		1
	JTJ2ST-ID	ID Label (not shown)		1



427 New Sanford Road
LaVergne, Tennessee 37086
Phone: 800-274-6848
www.jettools.com