



JSM-6100 Belt Sander

Stock No. JSM-6100

Specifications

Stock Number	JSM-6100
Belt Size (in.).....	3/8 x 13
Noise Level (dB).....	80
Horsepower (HP).....	1/2
Free Speed (RPM)	20,000
Surface Feet per Minute (SFPM).....	4,328
Required Air Pressure (PSI).....	90
Average Air Consumption (CFM).....	9
Air Inlet (in.).....	1/4 NPT
Air Hose Inside Diameter (in.)	3/8
Overall Length Folded (in.).....	8
Overall Length Open (in.).....	12-3/4
Vibration Value (m/s ²).....	1.3
Weight (lbs).....	1-7/8



The specifications in this manual were current at time of publication, but because of our policy of continuous improvement, JET reserves the right to change specifications at any time and without prior notice, without incurring obligations.



Safety warnings

1. Read and understand the entire contents of this manual before attempting operation.
2. Never operate a belt sander without proper eye and face protection.
3. Do not operate sander while wearing gloves, loose clothing, jewelry or anything that may get caught in a rotating belt. Long hair must be contained.
4. Wear ear protectors (plugs or muffs) during extended periods of operation.
5. Do not operate sander over 100 PSI.
6. Do not operate sander without the silencer (muffler) installed.
7. Keep hands and fingers away from sanding belt.
8. Disconnect sander from air source before making repairs, adjustments or belt changes.
9. Some dust created by power sanding, sawing, grinding, drilling and other construction activities contain chemicals known to cause cancer, birth defects or other reproductive harm. Some examples of these chemicals are:
 - Lead from lead based paint.
 - Crystalline silica from bricks, cement and other masonry products.
 - Arsenic and chromium from chemically treated lumber.

Your risk of exposure varies, depending on how often you do this type of work. To reduce your exposure to these chemicals, work in a well-ventilated area and work with approved safety equipment, such as face or dust masks that are specifically designed to filter out microscopic particles.
10. Use the right tool at the correct speed and feed rate. Do not force a tool or attachment to do a job for which it was not designed. The right tool will do the job better and more safely.
11. Use recommended accessories; improper accessories may be hazardous.
12. Don't use in dangerous environment. Don't use power tools in damp or wet location, or expose them to rain. Keep work area well lighted.
13. Failure to comply with all of the above warnings may lead to serious injury.

JET

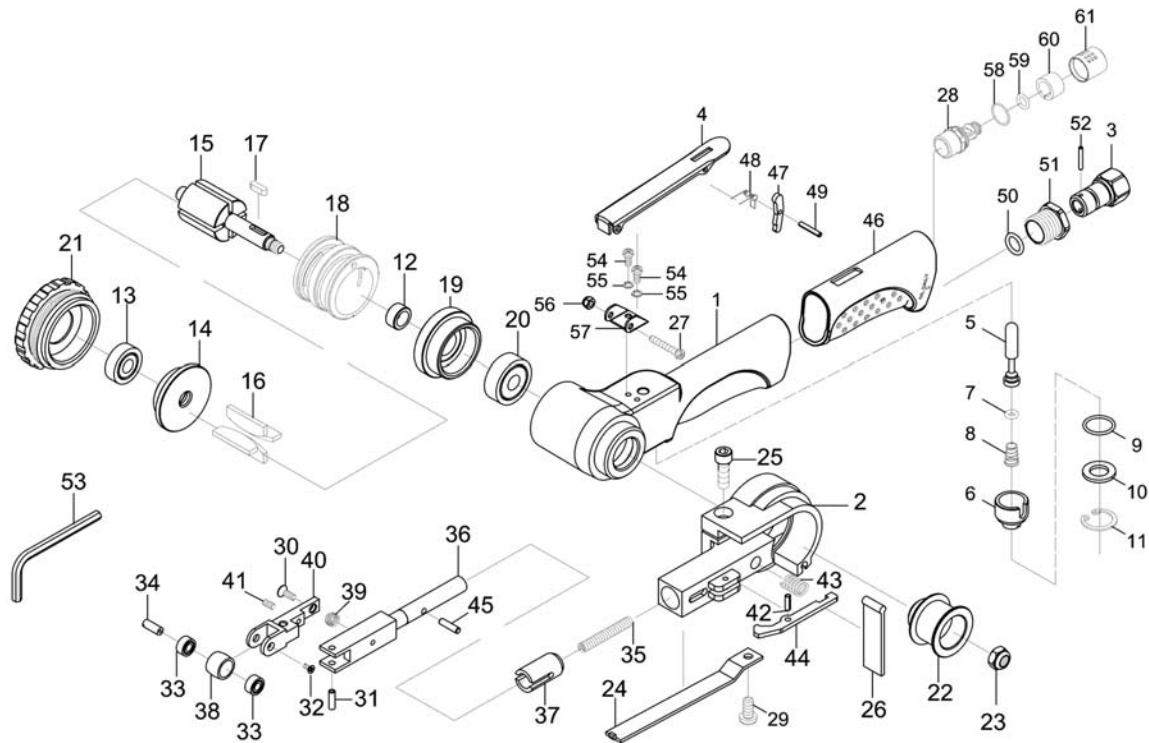
427 New Sanford Road
 LaVergne, Tennessee 37086
 Ph.: 800-274-6848
 www.jettools.com

Part No. M-JSM-6100

Revision A2 06/2014

Copyright © 2014 JET, a Division of JPW Industries, Inc.

JSM-6100 Mini Belt Sander



Index	Part No.	Description	Qty.
1	61001	Motor Housing	1
2	61002	Guard	1
3	JSM6100-03	Air Inlet	1
4	JSM6100-04	Throttle Lever	1
5	JSM6100-05	Valve Stem	1
6	JSM6100-06	Valve	1
7	JSM3330-44	O-Ring (3.8x1.9)	1
8	JSM6100-08	Spring	1
9	JSM6100-09	O-Ring (14.5x1.5)	1
10	JSM6100-10	Spacer	1
11	JSM6100-11	Retaining Ring (RTW-18)	1
12	61012	Spacer	1
13	BB-607ZZ	Ball Bearing (607ZZ)	1
14	61014	Rear End Plate	1
15	61015	Rotor	1
16	61016	Rotor Vane	4
17	61017	Key (3x3x10)	1
18	61018	Cylinder	1
19	61019	Front End Plate	1
20	BB-628ZZ	Ball Bearing (628ZZ)	1
21	61021	Cap	1
22	61222	Drive Pulley	1
23	TS-1540041	Hex Nut (M6)	1
24	61024	Shoe	1
25	40343	Screw (M5x16)	1
26	61026	Dust Cover	1
27	JSM6100-27	Screw (M4x25)	1
28	JSM6100-28	Muffer	1
29	TS-2284082	Pan Head Screw (M4x8)	1
30	61035	Screw (M3x8)	1
31	61036	Spring Pin	1
32	61037	Screw	1
33	BB-684ZZ	Ball Bearing (684ZZ)	2

Index	Part No.	Description	Qty.
34	61039	Idle Pulley Shaft	1
35	61040	Spring	1
36	61041	Tension Bar	1
37	61042	Bushing	1
38	61043	Idle Pulley	1
39	61044	Spring	1
40	61045	Bracket	1
41	61046	Set Screw (M3x6)	1
42	61048	Spring Pin (2.5x8)	1
43	61049	Spring	1
44	61050	Safety Lever	1
45	JSM6100-45	Lock Pin (3x11.8)	1
46	JSM6100-46	Grip	1
47	JSM6100-47	Safety Bar	1
48	JSM6100-48	Spring	1
49	40337	Spring Pin (3x18L)	1
50	40130	O-Ring (8.8x1.7)	1
51	JSM6100-51	Screw	1
52	JSM6100-52	Pin (2x13.8)	1
53	TS-152705	Hex Wrench (4mm)	1
54	TS-2284082	Pan Head Screw (M4x8)	2
55	TS-2361041	Lock Washer (M4)	2
56	TS-1540021	Nut (M4)	1
57	JSM6100-57	Lever Support	1
58	JSM5130-35	O-Ring (14x1)	1
59	JSM6100-59	O-Ring (5.8x1.9)	1
60	JSM6100-60	Muffer	1
61	JSM6100-61	Exhaust Sleeve	1

RPK-6100 Repair Kit (contains #7,9,11,16,26)
 RBK-6100 Rebuild Kit (contains #30-34,38-41)