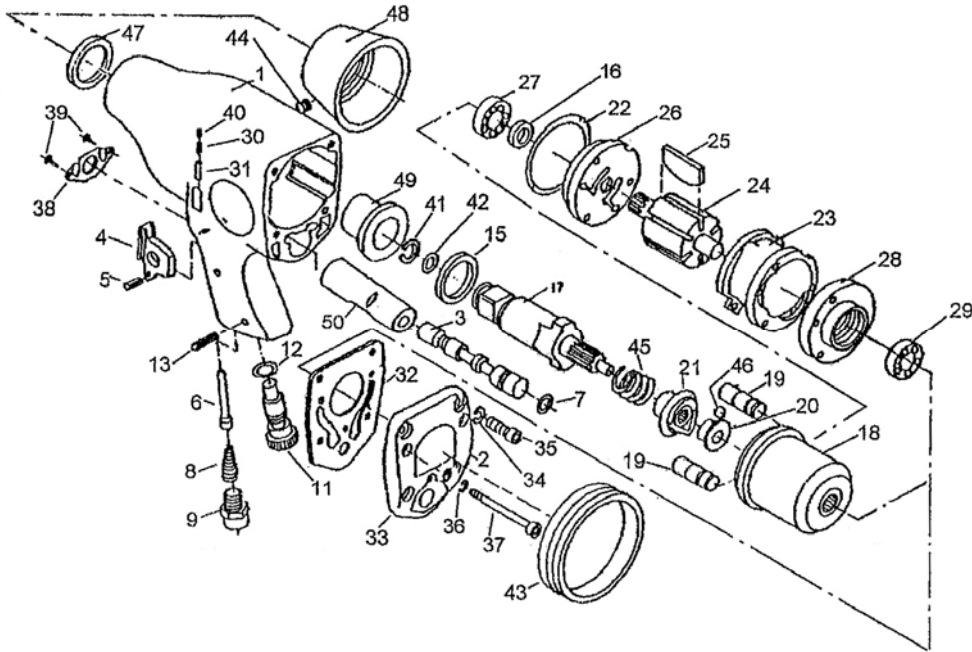




Parts List for JSG-0750, 3/4" Impact Wrench



Index	Part No.	Description	Qty.
1	28-0001	Housing	1
2	00-4111	O-Ring	3
3	28-0003	Reverse Valve	1
4	28-004	Trigger	1
5	00-3301	Spring Pin	1
6	28-0005	Valve Stem	1
7	00-4114	O-Ring	1
8	28-0011	Spring	1
9	25-1010	Hose Adaptor	1
11	28-0008	Air Regulator	1
12	00-4106	O-Ring	1
13	00-3305	Spring	1
15	27-0002	Washer	1
16	00-4206	Oil Seal	1
17	27-0003	Anvil	1
18	27-0008	Hammer Cage	1
19	27-0004	Hammer Bar	2
20	27-0007	Driver Cam Foundation	1
21	27-0006	Drive Cam	1
22	00-4108	O-Ring	1
23	28-0025	Cylinder	1
24	28-0023	Rotor	1
25	28-0024	Rotor Blade	6
26	28-0022	Front End Plate	1
27	BB-6002Z	Ball Bearing	1
28	28-0026	Rear End Plate	1

Index	Part No.	Description	Qty.
29	BB-6002	Ball Bearing	1
30	25-1031	Spring	1
31	28-0009	Pin	1
32	28-0027	Rear Gasket	1
33	28-0028	Rear Cover	1
34	00-1803	Lock Washer	1
35	00-0119	Screw	4
36	00-1802	Lock Washer	3
37	00-0110	Screw	3
38	28-0012	Exhaust Deflector	1
39	00-0802	Screw	2
40	00-0610	Screw	1
41	28-0016	Anvil Collar	1
42	00-4118	O-Ring	1
43	28-0031	Protecting Rubber	1
44	00-0614	Screw	1
45	27-0005	Spring	1
46	SB-11/32	Steel Ball	1
47	00-4211	Oil Seal	1
48	28-0030	Protecting Rubber	1
49	27-0001	Anvil Bushing	1
50	28-0002	Valve Sleeve	1

RPK-0750 Repair Kit (contains #6,8,12,22,25,47)

RBK-0750 Rebuild Kit (contains #19,20,21,32)

JET

427 New Sanford Road
LaVergne, Tennessee 37086
Ph.: 800-274-6848
www.jettools.com

Part No. M-JSG-0750

Revision B 08/2014

Copyright © 2014 JET, a Division of JPW Industries, Inc.

Replacement Parts

To order parts or reach our service department, call 1-800-274-6848 Monday through Friday (see our website for business hours, www.jettools.com). Having the Model Number and Serial Number of your product available when you call will allow us to serve you quickly and accurately.

Specifications for 3/4" Impact Wrench

Stock Number.....	JSG-0750
Square Drive (in.).....	3/4
Impact Mechanism.....	Pin Clutch Hammer
Bolt Capacity (in.)	1
Anvil Retainer Type.....	Ring/Hole
Maximum Torque (ft./lbs)	700
Working Torque (ft./lbs.).....	140-600
Torque Settings	forward 1 step, reverse 1 step
Free Speed (RPM).....	4200
Air Consumption (CFM)	10
Air Inlet (NPT/in.)	1/4
Air Hose (ID/in.).....	3/8
Vibration Value (m/s ²)	11
Noise Level (dB)	105
Overall Length (in.)	8
Weight (lbs.)	10

The above specifications were current at time of publication, but because of our policy of continuous improvement, JET reserves the right to change specifications at any time and without prior notice, without incurring obligations.