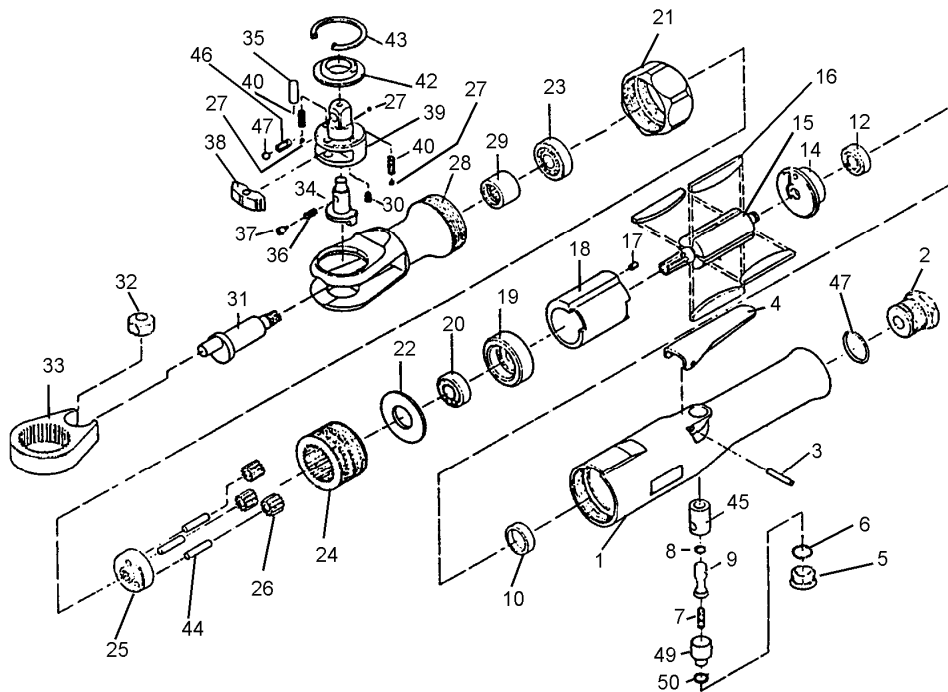




# JSG-0735

## 1/2" Air Ratchet Wrench

Stock No. JSG-0735



Index	Part No.	Description	Qty.
1	HD-12001	Motor Housing	1
2	HD-12002	Hose Adapter	1
3	SP-25220	Spring Pin	1
4	AR-38005	Throttle Lever	1
5	VP-70041	Valve	1
6	ORP-0125	O-Ring	1
7	VP-70037	Valve Spring	1
8	ORP-0060	O-Ring	1
9	VP-70035	Valve Stem	1
10	VP-70011	Bearing Cap	1
13	BB-06082	Ball Bearing	1
14	HD-12014	Rear End Plate	1
15	HD-12015	Rotor	1
16	HD-12016	Rotor Blade	4
17	SP-30060	Spring Pin	1
18	HD-12018	Cylinder	1
19	HD-12019	Front End Plate	1
20	BB-6000	Ball Bearing	1
21	HD-12021	Clamp Nut	1
22	HD-12022	Washer	1
23	BB-6200	Ball Bearing	1
24	HD-14024	Internal Gear	1
25	HD-12025	Idler Gear Plate	1
26	HD-12026	Idler Gear	3
27	SB-6MM	Steel Ball	3
28	HD-12028	Ratchet Housing	1

Index	Part No.	Description	Qty.
29	HD-12029	Needle Bearing	1
30	SP-25060	Spring Pin	1
31	HD-12031	Crank Shaft	1
32	HD-12032	Drive Bushing	1
33	HD-12033	Yoke	1
34	HD-12034	Reverse Button	1
35	NR-60160	Needle Roller	1
36	HD-12036	Reverse Spring	1
37	HD-12037	Lock Pin	1
38	HD-12038	Pawl	1
39	HD-12039	Ratchet Anvil	1
40	HD-14040	Spring	2
41	SB-8MM	Steel Ball	1
42	HD-14042	Thrust Washer	1
43	RTW-036	Internal Stop Ring	1
44	NR-50223	Needle Roller	1
45	AP-70030	Bushing	1
46	HD-12046	Spring	1
47	ORP-0220	O-Ring	1
48	AR-38052	Inlet Cap	1
49	AP-70034	Air Regulator	1
50	ORP-0080	O-Ring	1
	RBK-0735	Rebuild Kit (contains #6,8,16,26,27,32,38,40,42,47,50)	

### JET

427 New Sanford Road  
 La Vergne, Tennessee 37086  
 Ph.: 800-274-6848  
 www.jettools.com

Part No. M-JSG-0735

Revision B 08/2014

Copyright © 2014 JET, a Division of JPW Industries, Inc.

## Replacement Parts

To order parts or reach our service department, call 1-800-274-6848 Monday through Friday (see our website for business hours, [www.jettools.com](http://www.jettools.com)). Having the Model Number and Serial Number of your product available when you call will allow us to serve you quickly and accurately.

## Specifications for 1/2" Air Ratchet Wrench

Stock number .....	JSG-0735
Square Drive (in.) .....	3/8
Bolt Capacity (in.) .....	3/8
Anvil Retainer Type .....	Ball
Maximum Torque (ft.-lbs.) .....	50
Free Speed (RPM) .....	160
Air Consumption (CFM) .....	4
Air Inlet (NPT/in.) .....	1/4
Air Hose (ID/in.) .....	3/8
Vibration Value (m/s <sup>2</sup> ) .....	7.2
Noise Level (dB) .....	108
Overall Length (in.) .....	11-2/3
Weight (lbs.) .....	2-1/2

The above specifications were current at time of publication, but because of our policy of continuous improvement, JET reserves the right to change specifications at any time and without prior notice, without incurring obligations.