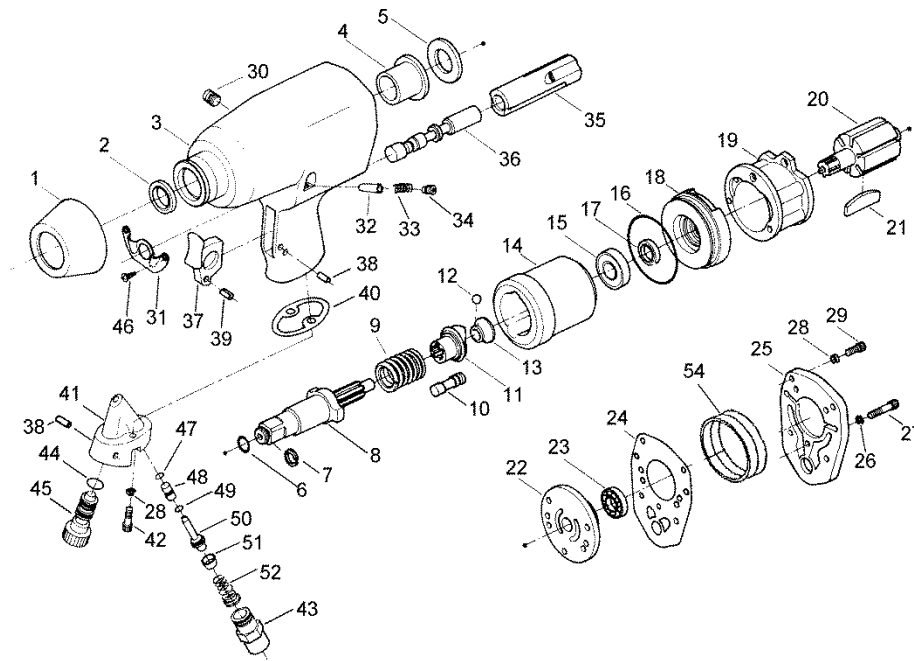




Parts List for JSG-0716N, 1/2" Impact Wrench



Index	Part No.	Description	Qty.
1	302-0001	Rubber Seal	1
2	00-4203	Oil Seal	1
3	302-0002	Housing	1
4	320-0029	Anvil Bushing	1
5	302-028	Spacer	1
6	00-4103	O-Ring	1
7	25-1040	Anvil Collar	1
8	302-0003	Anvil	1
9	300-0003	Spring	1
10	300-0005	Hammer Pin	2
11	302-0004	Cam	1
12	SB-5/16	Steel Ball, 5/16"	1
13	302-0025	Drive Cam Foundation	1
14	302-0005	Hammer Cage	1
15	BB-EE4	Ball Bearing	1
16	00-4120	O-Ring	1
17	00-4204	Oil Seal	1
18	302-0006	Front End Plate	1
19	302-0007	Cylinder	1
20	302-0008	Rotor	1
21	302-0009	Vane	6
22	302-0010	Rear End Plate	1
23	BB-EE3	Ball Bearing	1
24	302-0011	Rear Gasket	1
25	302-0012	Case Cover	1
26	00-1805	Lock Washer	3
27	00-0105	Hex Socket Cap Screw	3
28	00-1806	Lock Washer	6

Index	Part No.	Description	Qty.
29	00-0104	Hex Socket Cap Screw	4
30	00-0601	Plug	1
31	302-0013	Exhaust Deflector	1
32	25-1032	Pin	1
33	302-027	Spring	1
34	00-0602	Set Screw	1
35	302-0014	Valve Sleeve	1
36	302-0015	Reverse Valve	1
37	302-0016	Trigger	1
38	00-3309	Spring Pin	2
39	00-3301	Spring Pin	1
40	302-0017	Valve Block Gasket	1
41	302-0018	Valve Block	1
42	00-0102	Hex Socket Cap Screw	2
43	302-0023	Hose Adaptor	1
44	00-4107	O-Ring	1
45	302-0019	Air Regulator	1
46	00-0802	Self-Tapping Screw	2
47	00-4109	O-Ring	1
48	302-020	Valve Stem	1
49	00-4116	O-Ring	1
50	302-0022	Throttle Valve	1
51	302-0021	O-Ring Retainer	1
52	302-0026	Spring	1
54	250-1044	Gasket	1

RPK-0716N Repair Kit (contains #17,21,44,47,52)

RBK-0716N Rebuild Kit (contains #2,9,10,11,13,24,40)

JET

427 New Sanford Road
LaVergne, Tennessee 37086
Ph.: 800-274-6848
www.jettools.com

Part No. M-JSG-0716N
Revision B 08/2014

Copyright © 2014 JET, a Division of JPW Industries, Inc.

Replacement Parts

To order parts or reach our service department, call 1-800-274-6848 Monday through Friday (see our website for business hours, www.jettools.com). Having the Model Number and Serial Number of your product available when you call will allow us to serve you quickly and accurately.

Specifications for 1/2" Impact Wrench

Stock Number.....	JSG-0716N
Square Drive (in.).....	1/2
Impact Mechanism.....	Pin Clutch Hammer
Bolt Capacity (in.)	5/8
Anvil Retainer Type.....	Ring
Maximum Torque (ft./lbs)	280
Working Torque (ft./lbs.).....	55-230
Torque Settings	forward 1 step, reverse 1 step
Free Speed (RPM).....	7000
Air Consumption (CFM)	4
Air Inlet (NPT/in.)	1/4
Air Hose (ID/in.).....	3/8
Vibration Value (m/s ²)	2.8
Noise Level (dB)	101
Overall Length (in.)	7-1/4
Weight (lbs.)	5.25

The above specifications were current at time of publication, but because of our policy of continuous improvement, JET reserves the right to change specifications at any time and without prior notice, without incurring obligations.