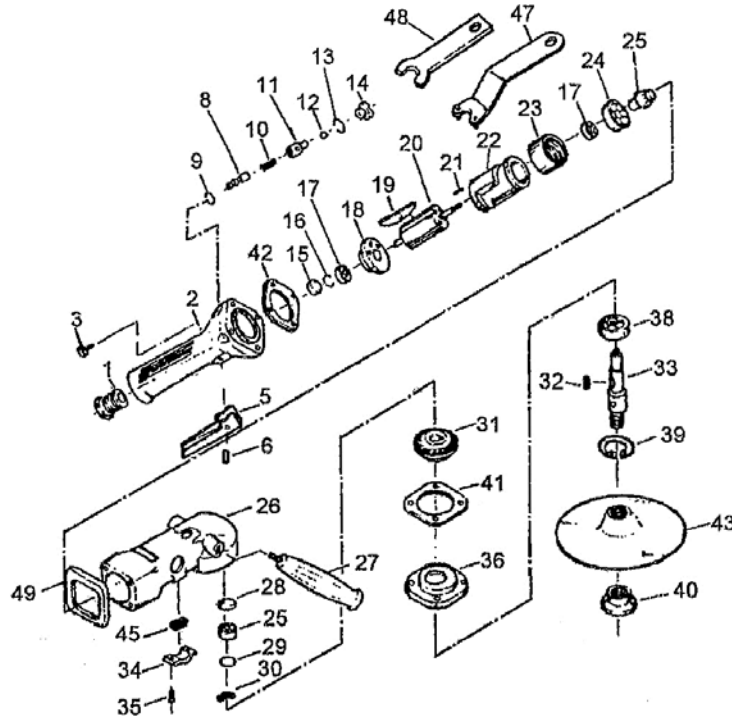




## Parts List for JSG-0472, 7" Angle Polisher



Index	Part No.	Description	Qty.
1	829001	Hose Adaptor	1
2	829002	Valve Body	1
3	829003	Screw	8
5	829005	Lever	1
6	829006	Lever Pin	1
8	829008	Valve Stem	1
9	829009	O-Ring	1
10	829010	Spring	1
11	829011	Air Regulator	1
12	829012	O-Ring	1
13	829013	O-Ring	1
14	829014	Valve Screw	1
15	829015	Bearing Cap	1
16	829016	Retaining Ring	1
17	BB-608ZZ	Ball Bearing	3
18	829108	Rear Plate	1
19	829019	Vane	4
20	830020	Rotor	1
21	829021	Pin	1
22	829022	Cylinder	1
23	829023	Front Plate	1
24	BB-6201	Ball Bearing	1
25	830025	Pinion Gear	1
26	829026	Motor Housing	1

Index	Part No.	Description	Qty.
27	829027	Dead Handle	1
28	829028	Spacer	1
29	829029	Retaining Ring	1
30	829030	Wave Washer	1
31	830031	Bevel Gear	1
32	829032	Key	1
33	829033	Gear Shaft	1
34	829034	Exhaust Deflector	1
35	829035	Screw	2
36	829036	Housing Cap	1
38	BB-6203Z	Ball Bearing	1
39	829039	Retaining Ring	1
40	829040	Pad Nut	1
41	829041	Gasket	1
42	829042	Gasket	1
43	829043	Pad	1
45	829045	Gasket	1
47	829047	Disc Spanner	1
48	829048	Stop Spanner	1
49	829049	Rubber	1

RPK-0472 Repair Kit (contains #9,10,12,13,19,41,42)  
 RBK-0472 Rebuild Kit (contains #24,25,31,33,38)

### JET

427 New Sanford Road  
 LaVergne, Tennessee 37086  
 Ph.: 800-274-6848  
 www.jettools.com

**Part No. M-JSG-0472**

Revision B 08/2014

Copyright © 2014 JET, a Division of JPW Industries, Inc.

## Replacement Parts

To order parts or reach our service department, call 1-800-274-6848 Monday through Friday (see our website for business hours, [www.jettools.com](http://www.jettools.com)). Having the Model Number and Serial Number of your product available when you call will allow us to serve you quickly and accurately.

## Specifications for 7" Angle Polisher

Stock Number .....	JSG-0472
Pad Size (in.).....	7 Round
Spindle Thread (in/TPI) .....	5/8-11
Horsepower .....	1
Free Speed (RPM).....	2500
Air Consumption (CFM) .....	12
Air Inlet (NPT/in.).....	1/4
Air Hose (ID/in.).....	3/8
Vibration Value (m/s <sup>2</sup> ) .....	9
Noise Level (dB).....	103
Overall Length (in.).....	16
Net Weight (lbs.) .....	5

The above specifications were current at time of publication, but because of our policy of continuous improvement, JET reserves the right to change specifications at any time and without prior notice, without incurring obligations.