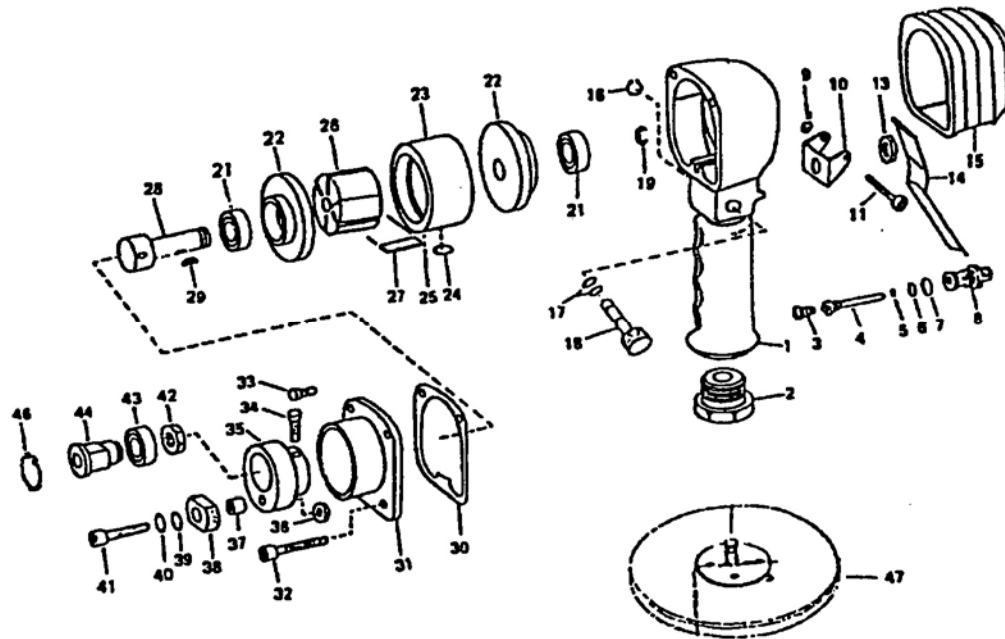




JSG-0420, 6-inch Dual Action Sander



Index #	Part #	Description	Qty.
1	TW200001	Motor Housing w/ Grip	1
2	TW200002	Hose Adaptor	1
3	TW200003	Throttle Valve Spring	1
4	TW200004	Throttle Valve Shaft	1
5	TW200005	O-Ring	1
6	TW200006	O-Ring	1
7	TW200007	O-Ring	1
8	TW200008	Valve Body	1
9	TW200009	Hex Nut	1
10	TW200010	Bracket	1
11	TW200011	Hinge Screw	1
13	TW200013	Hex Nut	1
14	TW200014	Throttle Lever	1
15	TW200015	Housing Cover	1
16	TW200016	Retaining Ring	1
17	TW200017	O-Ring	2
18	TW200018	Regulator Valve	1
19	TW200019	Retaining Ring	1
21	BB-6200ZZ	Bearing	2
22	TW200022	End Plate	2
23	TW200023	Cylinder	1
24	TW200024	O-Ring	1

Index #	Part #	Description	Qty.
25	TW200025	Cylinder Pin	1
26	TW200026	Rotor	1
27	TW200027	Vane	4
28	TW200028	Rotor Shaft	1
29	TW200029	Key	1
30	TW200030	Gasket	1
31	TW200031	Drive Housing	1
32	TW200032	Cap Screw	2
33	TW200033	Cap Screw	2
34	TW200034	Cap Screw	1
35	TW200035	Orbital Hub	1
36	TW200036	Hex Nut	1
37	TW200037	Spacer	1
38	TW200038	Spindle Lock	1
39	TW200039	Spring Washer	1
40	TW200040	Flat Washer	1
41	TW200041	Cap Screw	1
42	TW200042	Hex Nut	1
43	BB-6201ZZ	Ball Bearing	1
44	TW200044	Drive Spindle	1
46	TW200046	Retaining Ring	1
47	TW200047A	6" Sanding Pad	1

RPK-0420.....Repair Kit (contains #3,5,6,7,16,17,27,30,39,46)

JET

427 New Sanford Road
LaVergne, Tennessee 37086
Ph.: 800-274-6848
www.jettools.com

Part No. M-JSG-0420

Revision C 07/2014

Copyright © 2014 JET, a Division of JPW Industries, Inc.

Specifications for JSG-0420, 6-inch Dual Action Sander

Stock Number	JSG-0420
Pad Size (in.).....	6 round
Spindle Thread (in./TPI)	5/16-24
Horsepower.....	1/2 HP
Free Speed (no load) (RPM)	10,000
Required Air Pressure (PSI).....	90
Average Air Consumption (CFM)	4
Air Inlet Diameter (in.)	1/4
Air Hose Inside Diameter (in.)	3/8
Vibration Value (m/s ²)	2.6
Overall Length (in.).....	8-1/4
Noise Level (dB).....	100
Net Weight (lbs.)	4.5

The above specifications were current at the time this manual was published, but because of our policy of continuous improvement, JET reserves the right to change specifications at any time and without prior notice, without incurring obligations.