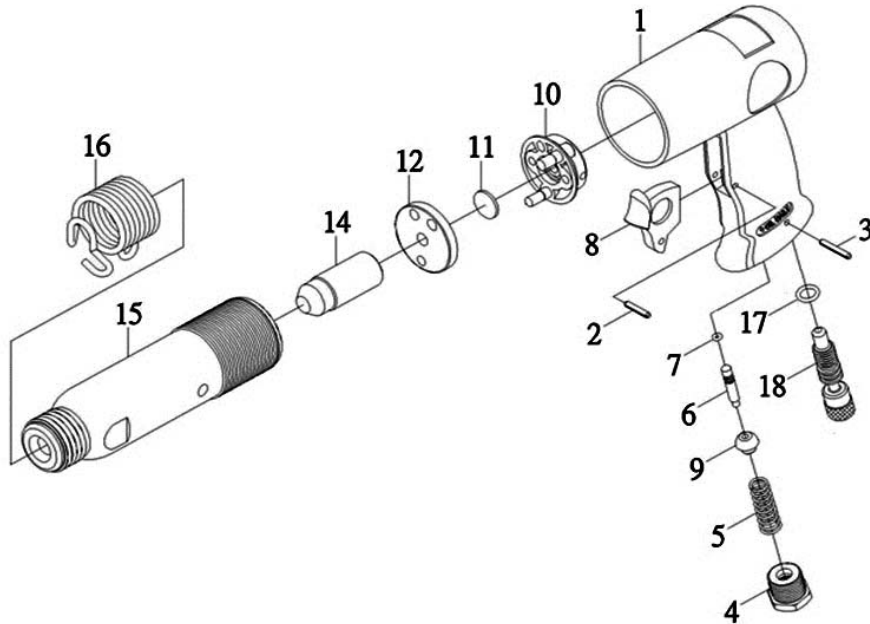




Parts List for JSG-0304R Riveting Hammer



Index	Part No.	Description	Qty.
1	AH-1X	Handle (JSG-0204R/0304R)	1
2	AH-2X	Pin (for Trigger)	2
3	AH-3X	Pin (for Regulator)	1
4	AH-4	Hose Adaptor	1
5	AH-5	Throttle Spring	1
6	AH-6X	Valve Stem (JSG-0204R/0304R)	1
7	AH-7	O-Ring	1
8	AH-8	Trigger	1
9	AH-9	Steel Ball Seat	1
10	AH-10	Upper Valve Assembly	1

Index	Part No.	Description	Qty.
11	AH-11	Valve Disc	1
12	AH-12	Lower Valve Case	1
14	AH-14-3	Piston (JSG-0304R)	1
15	AH-15-3	Cylinder (JSG-0304R)	1
16	J0101S	Quick Change Retainer	1
17	AH-17	O-Ring	1
18	AH-18	Regulator	1

RBK-0304R Rebuild Kit (contains #5,6,9,10,11,14)

Replacement Parts

To order parts or reach our service department, call 1-800-274-6848 Monday through Friday (see our website for business hours). Having the Model Number and Serial Number of your product available when you call will allow us to serve you quickly and accurately.

Specifications

Stock Number JSG-0304R
 Stroke Length (in.) 3-1/2
 Bore Size (in.) 3/4
 Blows per minute 2000
 Shank Size (in.) 0.401 Parker
 Air Consumption (CFM) 4

Air Inlet (NPT/in.) 1/4
 Air Hose (ID/in.) 3/8
 Vibration Value (m/s²) 5.6
 Noise Level (dB) 112
 Overall Length (in.) 9
 Weight (lbs.) 3-1/2

The above specifications were current at time of publication, but because of our policy of continuous improvement, JET reserves the right to change specifications at any time and without prior notice, without incurring obligations.

JET

427 New Sanford Road
 LaVergne, Tennessee 37086
 Ph.: 800-274-6848
 www.jettools.com

Part No. M-JSG-0304R

Revision B 08/2014

Copyright © 2014 JET, a Division of JPW Industries, Inc.