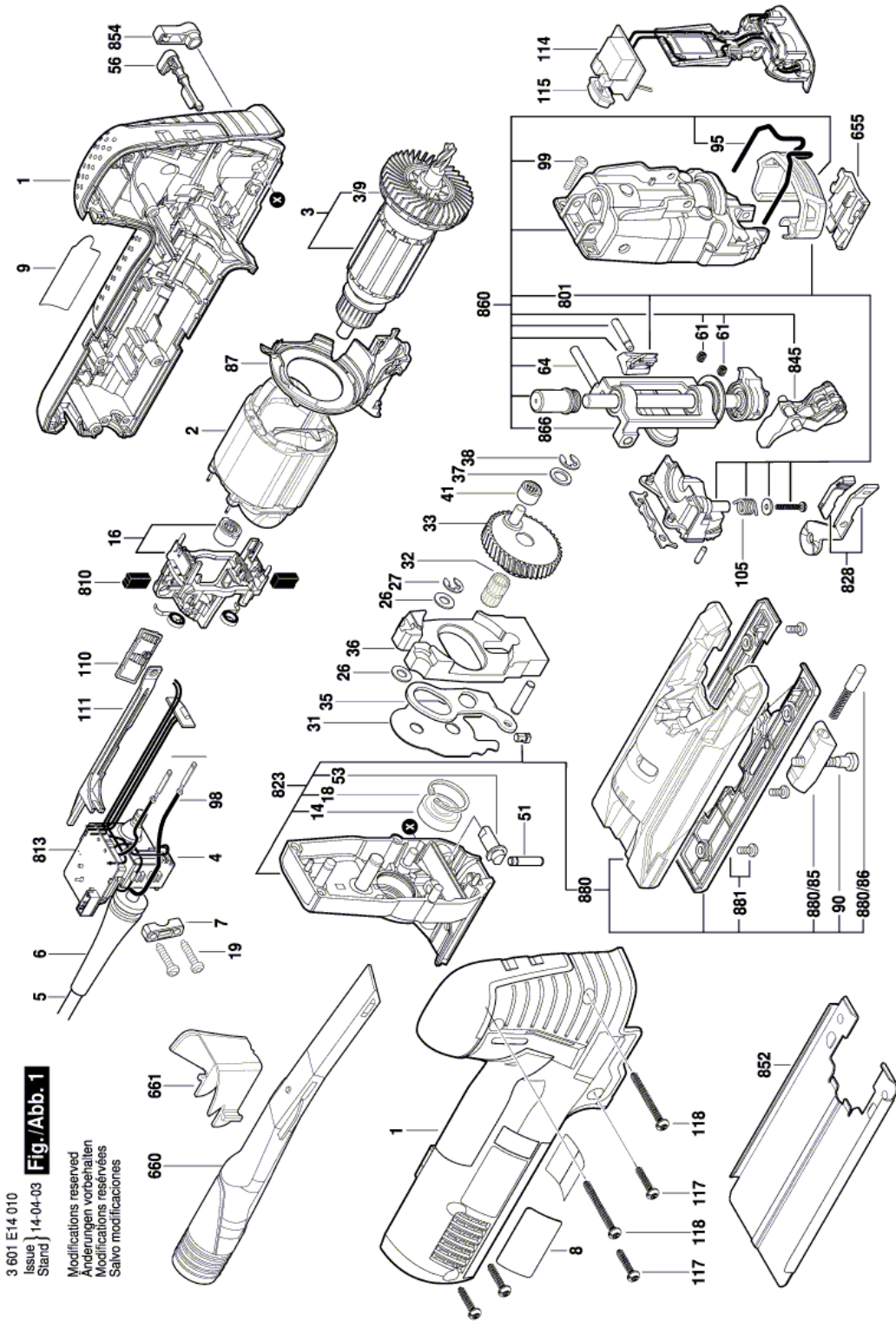


Illustration - Type E



3 601 E14 010
 Issue 14-04-03
 Stand
Fig./Abb. 1
 Modifications reserved
 Änderungen vorbehalten
 Modificaciones reservadas
 Salvo modificaciones

Information subject to change without further notice.

Jig Saw - 3 601 E14 010 - JS572EB

www.powertools-aftersaleservice.com



BOSCH

Item	Part Number	Description	Illustration	Price	Quantity	Price Group
1	2 605 105 180	Housing Section	1	-,-	1	33
2	2 604 220 742	Field 110V	1	-,-	1	33
3	2 604 011 432	Armature 110V	1	-,-	1	40
3/9	2 606 610 089	Fan	1	-,-	1	17
4	2 607 200 687	Switch	1	-,-	1	24
5	2 604 460 240	Power supply cord USA/CAN/ SMA 4,15m 2 x 0,82mm SJ 18/2	1	-,-	1	31
6	2 600 703 018	Grommet Ø7,3-Ø8,6x76 MM	1	-,-	1	13
7	2 601 035 004	Cable Clip	1	-,-	1	12
8	2 601 111 953	Warning Plate	1	-,-	1	13
9	2 601 112 019	Manufacturer's nameplate JS572EB	1	-,-	1	13
14	2 600 905 112	groove ball bearing 9x24x7	1	-,-	1	24
16	2 605 807 138	Brush Plate	1	-,-	1	28
18	2 916 660 008	Spring retaining ring DIN 472-24x1,2 MM	1	-,-	1	11
19	2 603 490 022	Torx Oval-Head Screw 4x16	1	-,-	2	10
26	2 600 100 040	Shim	1	-,-	2	11
27	2 916 080 908	Locking Washer 5 DIN 6799	1	-,-	1	10
31	2 600 101 124	Shim	1	-,-	1	11
32	2 600 913 040	Needle-Roller Assembly	1	-,-	1	18
33	2 606 320 107	Eccentric Cog Wheel	1	-,-	1	30
35	2 601 923 015	Fork Lever	1	-,-	1	14
36	2 601 098 120	Counterweight	1	-,-	1	29
37	2 600 101 047	Shim 0,3 MM	1	-,-	1	11
38	2 916 080 909	Locking Washer DIN 6799-6-FST	1	-,-	1	10
41	2 600 917 900	Needle bearing	1	-,-	1	21
51	2 603 105 131	Bearing bolt	1	-,-	1	12
53	2 603 124 157	Control Shaft	1	-,-	1	17
56	2 602 026 170	Rotary Knob	1	-,-	1	11
61	2 604 610 140	Compression Spring	1	-,-	2	10
64	2 601 322 045	Straight Pin	1	-,-	1	11
87	2 605 500 206	Air-Deflector Ring	1	-,-	1	22
90	2 910 131 205	Hex Socket Head Cap Screw DIN 7984 M6x30-8.8	1	-,-	1	10
95	2 603 101 060	Protecting Cover	1	-,-	1	16

Item	Part Number	Description	Illustration	Price	Quantity	Price Group
98	1 619 P07 299	Connecting Cable	1	-,-	1	11
99	2 603 410 051	Thread-forming tap. Screw	1	-,-	4	10
105	2 604 690 060	Torsion Spring	1	-,-	1	10
110	2 602 026 169	Operating Element	1	-,-	1	11
111	2 601 099 223	Adjusting Slide	1	-,-	1	13
114	1 607 233 384	EL luma module 230V	1	-,-	1	33
115	2 600 030 030	Headlamp Switch	1	-,-	1	14
117	2 603 490 023	Torx Oval-Head Screw 4x20	1	-,-	5	10
118	2 603 490 027	Torx Oval-Head Screw 4x40	1	-,-	2	10
200	2 601 112 255	Nameplate	N/A	-,-	1	20
655	2 601 016 093	Splintering Protector	1	-,-	1	14
660	2 605 730 061	Suction Socket	1	-,-	1	28
661	2 605 510 296	Covering hood	1	-,-	1	15
801	2 607 990 068	Ejection Lever	1	-,-	1	23
810	2 604 320 918	Carbon-Brush Set	1	-,-	1	24
813	1 607 233 404	Speed governor 100-127V	1	-,-	1	40
823	2 605 806 871	Gear Housing	1	-,-	1	46
828	2 602 098 024	Tensioning Lever	1	-,-	1	19
845	2 601 321 909	Roller Lever	1	-,-	1	38
852	2 601 098 121	Work Board	1	-,-	1	28
854	2 602 026 909	Rotary Knob BLACK	1	-,-	1	13
860	2 605 808 935	Gear Cover	1	-,-	1	49
866	2 600 780 188	Lifting Rod	1	-,-	1	41
880	2 601 099 256	Base Plate	1	-,-	1	42
880/85	2 602 317 067	Clamping Piece	1	-,-	1	16
880/86	2 600 590 016	Ratchet Cap	1	-,-	1	14
881	2 601 099 900	Work Board	1	-,-	1	26