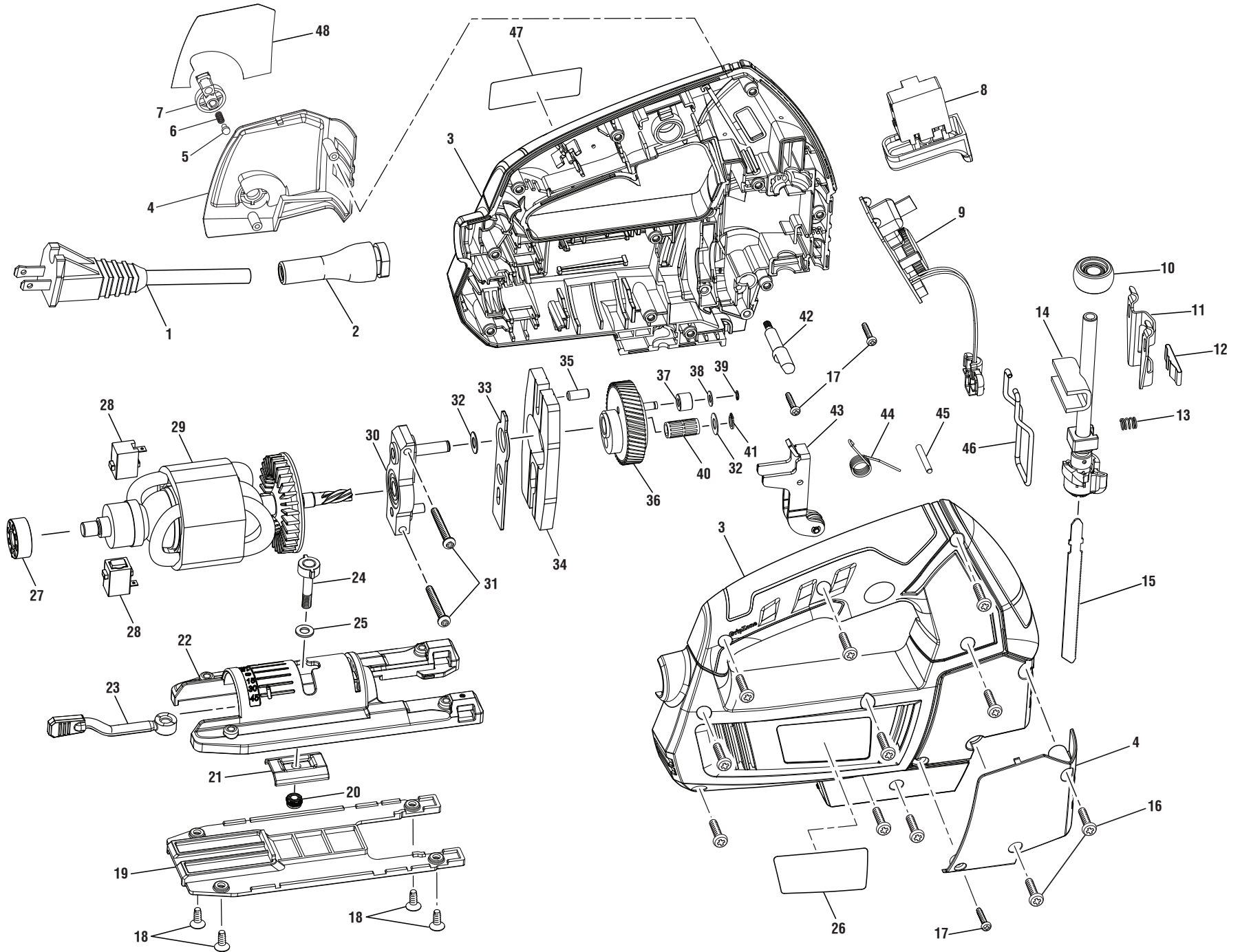


**RYOBI
ORBITAL JIG SAW
MODEL NUMBER JS481LG
REPAIR SHEET**

RYOBI ORBITAL JIG SAW – MODEL NUMBER JS481LG



RYOBI ORBITAL JIG SAW – MODEL NUMBER JS481LG

The model number will be found on a label attached to the motor housing. Always mention the model number in all correspondence regarding your **ORBITAL JIG SAW** or when ordering parts.

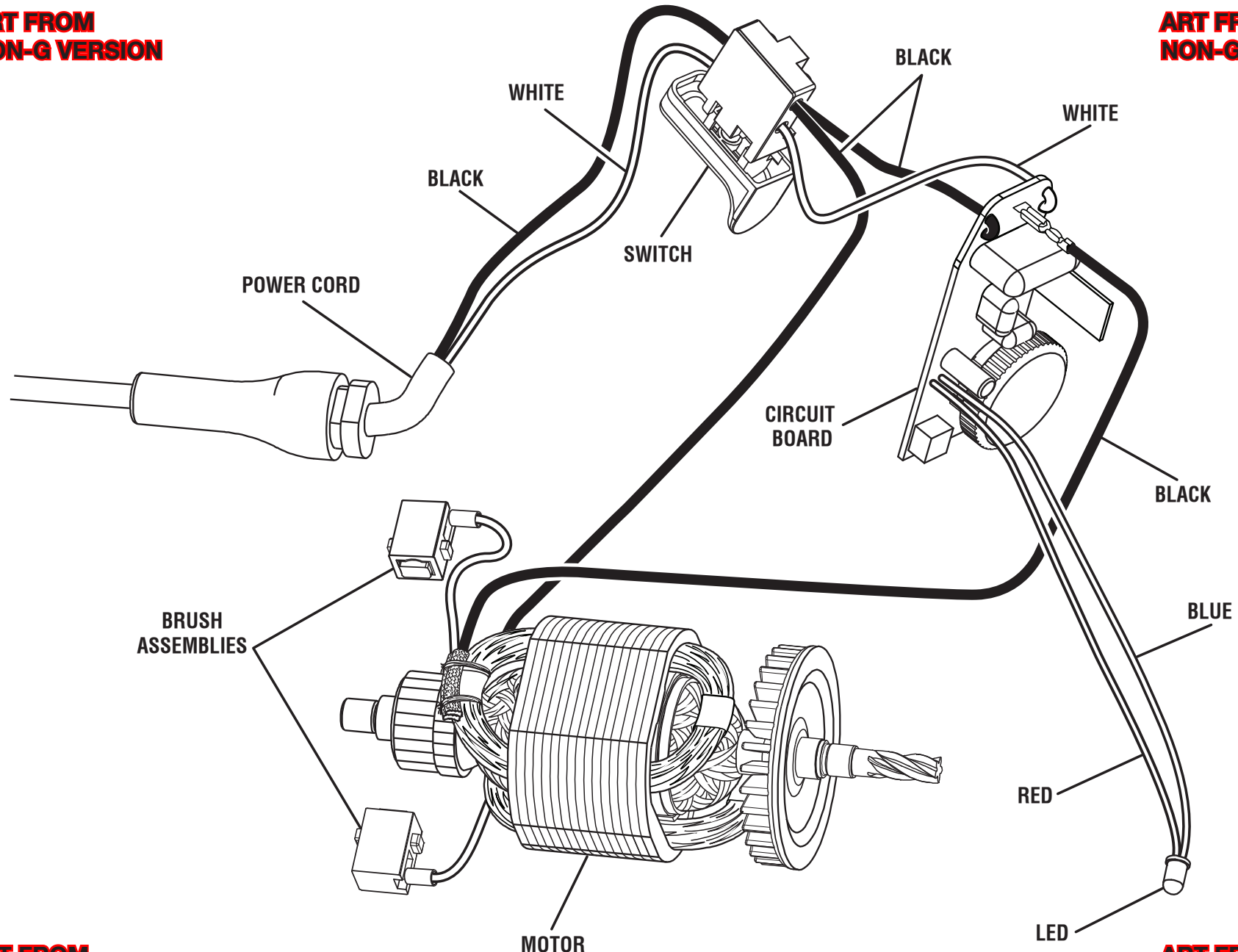
PARTS LIST

| KEY NO. | PART NUMBER | DESCRIPTION | QTY | KEY NO. | PART NUMBER | DESCRIPTION | QTY |
|---------|-------------|--------------------------------------|-----|-------------------|-----------------------------|----------------------------------|-----|
| 1 | 730372033 | Power Cord..... | 1 | 28 | 291118002 | Brush Assembly..... | 2 |
| 2 | 551060001 | Bend Relief | 1 | 29 | 291085001 | Motor Assembly..... | 1 |
| 3 | 202724001 | Housing Assembly..... | 1 | 30 | 202224001 | Bearing Plate Assembly..... | 1 |
| 4 | 202141001 | Cover Assembly..... | 1 | 31 | 660436009 | Screw (M4 x 30 mm)..... | 2 |
| 5 | 550424001 | Detent Button | 1 | 32 | 680335076 | Washer (OD12 x ID6 x 0.5t) | 2 |
| 6 | 680909001 | Spring | 1 | 33 | 631081003 | Drive Plate..... | 1 |
| 7 | 524208003 | Orbital Adjustment Knob | 1 | 34 | 611712001 | Counterbalance | 1 |
| 8 | 760476010 | Switch Assembly | 1 | 35 | 681071001 | Pin (5 x 12 mm)..... | 1 |
| 9 | 280202008 | Circuit Board Assembly | 1 | 36 | 611629001 | Gear Assembly | 1 |
| 10 | 611841001 | Bushing..... | 1 | 37 | 693176001 | Drive Sleeve..... | 1 |
| 11 | 630845001 | Guide Plate | 1 | 38 | 634134001 | Washer (OD12 x ID5 x 1t) | 1 |
| 12 | 631252001 | Spring Plate | 1 | 39 | 692821001 | Retaining Ring | 1 |
| 13 | 693232001 | Spring | 1 | 40 | 681597001 | Needle Bearing | 1 |
| 14 | 304944002 | Saw Bar Assembly..... | 1 | 41 | 670704001 | Retaining Ring | 1 |
| 15 | 690227083 | Wood Cutting Blade..... | 1 | 42 | 621355001 | Orbital Adjustment Rod | 1 |
| 16 | 6620802 | Screw (M4 x 18 mm, Pan Hd.)..... | 11 | 43 | 305086001 | Blade Guide Assembly | 1 |
| 17 | 660007002 | Screw (M3 x 12 mm)..... | 3 | 44 | 693114002 | Torsion Spring..... | 1 |
| 18 | 660165017 | Screw (M4 x 8 mm)..... | 4 | 45 | 671143001 | Pin..... | 1 |
| 19 | 524163001 | Base Plate..... | 1 | 46 | 671147006 | Guard Wire..... | 1 |
| 20 | 670974003 | Insert Nut (M5) | 1 | 47 | 941002109 | Logo Label..... | 1 |
| 21 | 634115001 | Clamp Pad | 1 | 48 | 941001095 | Orbital Label | 1 |
| 22 | 640783004 | Saw Base..... | 1 | Not Shown: | | | |
| 23 | 301010014 | Base Adjustment Lever Assembly..... | 1 | 039076003101 | Optional Edge Guide Kit | | |
| 24 | 301008001 | Positive Stop Screw..... | 1 | 301009001 | Optional Dust Port Assembly | | |
| 25 | 678050001 | Washer (OD11.2 x ID5.2 x 0.8t) | 1 | 988000859 | Operator's Manual | | |
| 26 | 941121217 | Data Label..... | 1 | 3-6-14 | | | |
| 27 | 671419002 | Ball Bearing (KEJIE 608ZZ)..... | 1 | (Rev:01) | | | |

RYOBI ORBITAL JIG SAW – MODEL NUMBER JS481LG

**ART FROM
NON-G VERSION**

**ART FROM
NON-G VERSION**



**ART FROM
NON-G VERSION**

**ART FROM
NON-G VERSION**

WIRING DIAGRAM