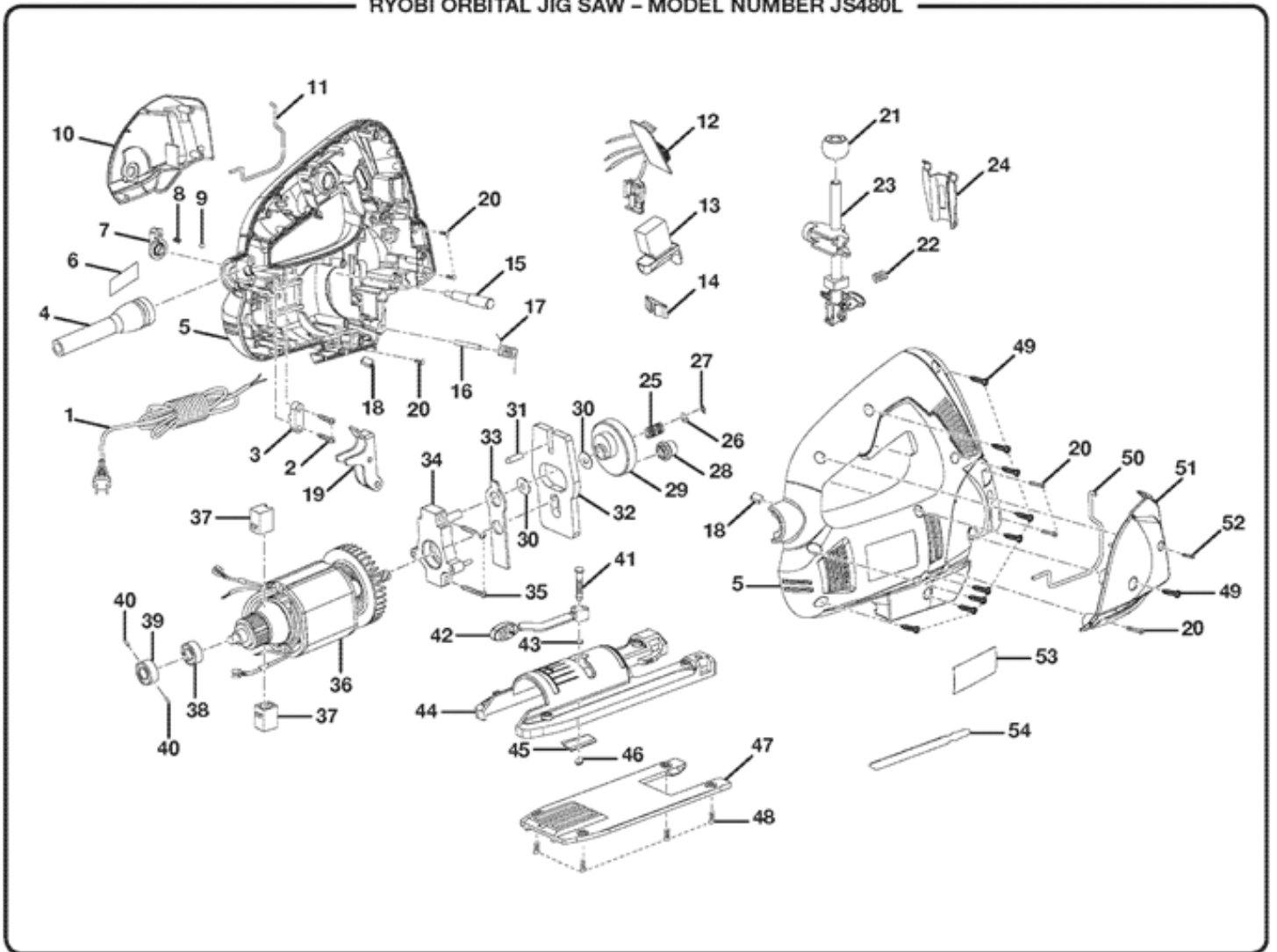


RYOBI ORBITAL JIG SAW - MODEL NUMBER JS480L



Ref #	Part #	Description	Qty	Context Note	Foot Note
1	039076001001	Power Cord	1		
2	039064001004	Screw (M4.2 x 16 mm, Pan Hd.)	2		
3	039076001002	Cord Clamp	1		
4	039076001003	Bend Relief	1		
5	039076003001	Housing Assembly	1		
6	039076001043	Logo Label	1		
7	039076003002	Orbital Adjustment Knob	1		
8	039064001012	Spring	1		
9	039064001013	Steel Ball	1		
10	039076003003	Left Cover	1		
11	039076001009	Left Wire	1		
12	039076003004	Circuit Board	1		
13	039076001011	Switch	1		
14	039064001019	Spring Plate	1		
15	039064001021	Orbital Adjustment Rod	1		
16	039064001022	Pin (OD 4 x 24 mm)	1		
17	039064001023	Torsion Spring	1		
18	039076001017	Retaining Plate	2		
19	039064001024	Blade Guide Assembly	1		
20	039076003006	Screw (M2.9 x 10 mm)	6		
21	039064001025	Heat Sink w/Bearing	1		
22	039076001071	Compression Spring	1		
23	039064001030	Saw Bar Assembly	1		
24	039064001029	Guide Plate	1		
25	039064001040	Needle Bearing	1		
26	039064001041	Washer (OD 6 x ID 12 x 1t)	1		
27	039064001042	Retaining Ring	1		
28	039076001069	Drive Sleeve w/Bearing Assembly	1		
29	039064001047	Gear Assembly	1		
30	039076001022	Washer	2		
31	039064001049	Pin (OD 6 x 12 mm)	1		
32	039064001050	Counterbalance	1		
33	039064001053	Drive Plate	1		
34	039064001056	Bearing Plate Assembly	1		
35	039064001054	Screw (M4.2 x 30 mm)	2		
36	039076003102	Motor Assembly	1	(Inc. Key Nos. 38-39)	
37	039076001066	Brush Assembly	2		

38	039076001029	Ball Bearing	1	
39	039076001030	Stretch Washer	1	
40	039076001031	Rubber Plug	2	
41	039064001051	Positive Stop Screw	1	
42	039076001023	Base Adjustment Lever Assembly	1	
43	039076001072	Washer	1	
44	039076001035	Saw Base	1	
45	039064001075	Clamp Pad	1	
46	039064001076	Lock Nut (M5)	1	
47	039076001036	Base Plate	1	
48	039064001074	Screw (M4 x 10 mm)	4	
49	039064001065	Screw (M4.2 x 16 mm, Pan Hd.)	10	
50	039076001032	Right Wire	1	
51	039076003005	Right Cover	1	
52	039064001066	Screw (M2.9 x 16 mm)	1	
53	039076003007	Data Label	1	
54	039076001039	Wood Cutting Blade (100 mm)	1	
	039076003101	Optional Edge Guide Kit		Not Shown
	039076001040	Optional Dust Port Assembly		Not Shown
	039076001038	Optional Anti-Splintering Insert		Not Shown
	988000453	Operator's Manual (039076003008)		Not Shown