

## Jig Saw - 3 601 E13 010 - JS470E

www.powertools-aftersaleservice.com

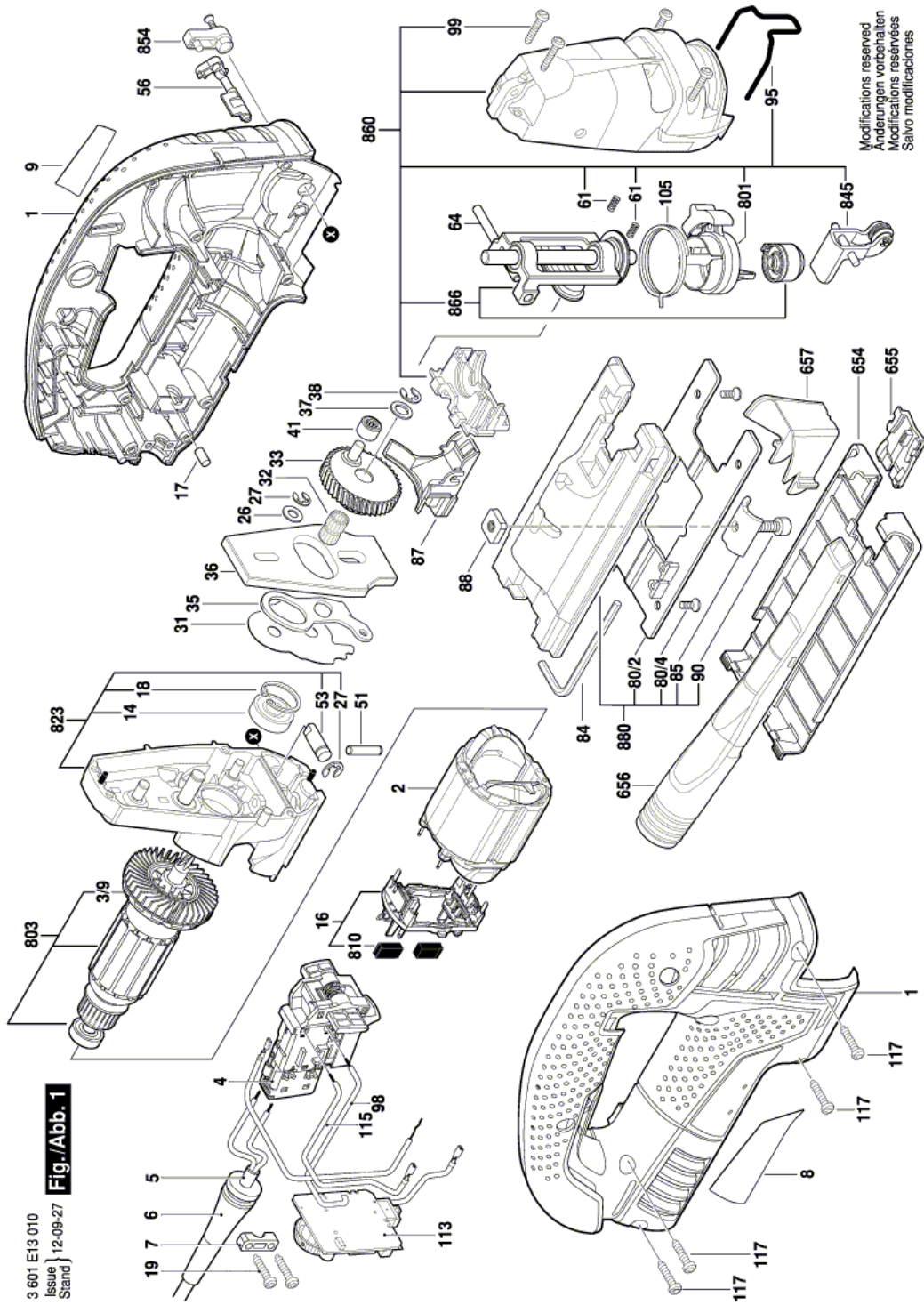


**BOSCH**

Item	Part Number	Description	Illustration	Price	Quantity	Price Group
	1 2 605 105 128	Housing Section BLUE	1	-,-	1	34
	2 2 604 220 589	Field 100V	1	-,-	1	28
3/9	2 606 610 089	Fan	1	-,-	1	17
	4 2 607 200 670	Switch	1	-,-	1	28
	5 2 604 460 270	Power supply cord USA/CDN/SAM 4,15m 2 x 0,82mm SJ 18/2	1	-,-	1	29
	6 2 600 703 018	Grommet Ø7,3-Ø8,6x76 MM	1	-,-	1	13
	7 2 601 035 001	Cable Clip	1	-,-	1	11
	8 2 601 111 461	Nameplate	1	-,-	1	13
	9 2 601 111 379	Manufacturer's nameplate	1	-,-	1	13
14	2 600 905 112	groove ball bearing 9x24x7	1	-,-	1	24
16	2 605 807 110	Brush Plate	1	-,-	1	28
17	1 603 100 036	Rubber Buffer	1	-,-	1	11
18	2 916 660 008	Spring retaining ring DIN 472-24x1,2 MM	1	-,-	1	11
19	2 603 490 022	Screw 4x16	1	-,-	2	10
26	2 600 100 040	Shim	1	-,-	2	11
27	2 916 080 908	Locking Washer 5 DIN 6799	1	-,-	1	10
31	2 600 101 119	Shim	1	-,-	1	13
32	2 600 913 040	Needle-Roller Assembly	1	-,-	1	18
33	2 606 320 099	Eccentric Cog Wheel	1	-,-	1	30
35	2 601 923 015	Fork Lever	1	-,-	1	14
36	2 601 098 117	Counterweight	1	-,-	1	23
37	2 600 101 047	Shim 0,3 MM	1	-,-	1	11
38	2 916 080 909	Locking Washer DIN 6799-6-FST	1	-,-	1	10
41	2 600 917 900	Needle bearing	1	-,-	1	21
51	2 603 105 131	Bearing bolt	1	-,-	1	12
53	2 603 124 156	Control Shaft	1	-,-	1	15
56	2 602 026 158	Rotary Knob BLACK	1	-,-	1	11
61	2 604 610 140	Compression Spring	1	-,-	2	10
64	2 601 322 035	Straight Pin	1	-,-	1	13
80/2	2 601 099 198	Work Board	1	-,-	1	20
80/4	1 613 435 023	Thread-forming tap. Screw	1	-,-	4	10
84	1 907 950 006	Offset Screwdriver DIN 911-SW5 BLACK	1	-,-	1	16
85	2 601 030 022	Profile Beading	1	-,-	1	13

Item	Part Number	Description	Illustration	Price	Quantity	Price Group
87	2 605 500 203	Air Eliminator BLACK	1	-,-	1	14
88	2 600 040 004	fixing plate	1	-,-	1	14
90	2 910 141 201	Hex Socket Head Cap Screw DIN 912-M6x20-8.8	1	-,-	1	13
95	2 603 101 065	Protecting Cover	1	-,-	1	11
98	2 604 448 335	Connecting Cable	1	-,-	1	12
99	2 603 410 051	Thread-forming tap. Screw	1	-,-	4	10
105	2 604 690 056	Torsion Spring	1	-,-	1	12
113	1 607 233 559	Speed governor 110-120V	1	-,-	1	37
115	2 604 448 336	Connecting Cable	1	-,-	1	12
117	2 603 490 023	Torx Oval-Head Screw 4x20	1	-,-	9	10
654	2 601 099 183	Pad	1	-,-	1	19
655	2 601 016 093	Splintering Protector	1	-,-	1	16
656	2 605 730 055	Suction Nozzle	1	-,-	1	17
657	2 605 510 293	Covering hood	1	-,-	1	13
801	2 602 026 908	Cap-Handle BLACK	1	-,-	1	17
803	2 604 011 419	Armature 110-120V	1	-,-	1	40
810	2 604 320 913	Carbon-Brush Set	1	-,-	1	21
823	2 605 806 881	Gear Housing	1	-,-	1	42
845	2 601 321 908	Roller Lever	1	-,-	1	24
854	2 602 026 909	Rotary Knob BLACK	1	-,-	1	13
860	2 605 808 934	Gear Cover	1	-,-	1	47
866	1 600 A00 HG2	Lifting Rod	1	-,-	1	42
880	2 601 016 905	Base Plate	1	-,-	1	32

Illustration - Type E



Information subject to change without further notice.