



## Installation Instructions and Parts JRB-14A Riser Block Kit

### Installation Instructions

1. Disconnect band saw from the power source.
2. Loosen the blade tension, open both blade wheel covers, remove the table pin and blade insert, and remove the blade. See the band saw operator's manual for further details, if necessary.
3. Remove the plastic blade guard next to the switch box.
4. Remove the switch box assembly and the wire clamp from the saw arm.



**Support the saw arm before proceeding with the next step! The saw arm is heavy! Failure to comply may cause bodily injury and/or damage to property!**

5. Carefully loosen the bolt and nut assembly that hold the saw arm to the saw body and remove. Remove the saw arm.
6. Place the riser block on the saw body, making sure the pins in the body line up with the holes in the riser block.
7. **Note:** The direction-indicating arrow on the riser block goes to the rear of the machine.
8. Place the saw arm on top of the riser block, making sure the pins and holes line up. Fasten the arm to the riser block assembly by inserting the 5/8"-11 x 8-1/2" hex cap screw and 5/8" washer through the arm, riser block, and saw body and fasten with a 5/8" washer and 5/8" hex nut. Tighten the nut securely.
9. Fasten the new blade guard assembly (Item #2, Fig. 1) to the saw arm and saw body.

### WMH TOOL GROUP

2420 Vantage Drive  
Elgin, Illinois 60123  
Ph.: 800-274-6848  
www.wmhtoolgroup.com

### Shipping Container Contents

- 1 Riser Block
- 1 Blade Guard
- 1 Hex Cap Screw (5/8"-11 x 8-1/2")
- 2 Flat Washer (5/8")
- 1 Hex Nut (5/8"-11)
- 1 Guide Post (3/4" Diameter)
- 1 Blade Guard Assembly
- 1 Saw Blade
- 1 this Installation Sheet

### Tools Required for Assembly

- 26mm Combination Wrench
- 15/16" Socket w/Ratchet Handle
- #1 Cross-point Screwdriver
- 6" Adjustable Wrench
- Hex Wrench Set

10. Fasten the switch box assembly to the tapped holes in the riser block using the same screws that attached the box to the saw arm. Do not try to attach the switch box back in the original position on the saw arm.
11. Loosen the two hex cap screws holding the metal blade guard assembly to the upper blade guide bracket (B, fig. 2) and remove the blade guard.
12. Remove the upper blade guide bracket (B, Fig. 2) from the guide post (D, Fig. 2).
13. Loosen the guide post lock knob (A, Fig. 2). Loosen, but do not remove set screw (C, Fig. 2) to release tension on the guide post.

**Note:** Behind the set screw is a spring and steel ball. Removal of the set screw may cause loss of the spring and steel ball. Place the new guide post on top of the one to be removed. Make sure v-grooves of both guide posts are lined up. Remove the original by pushing down on top of it with the replacement. Make sure the replacement follows the original smoothly.

**Note:** Removal of the original guide post without direct replacement of the new guide post will cause the spring and ball to fall out of the arm, making replacement more difficult.

Part No. M-708717A  
Revision Rev A 03/06  
Copyright © WMH Tool Group

14. Tighten set screw (C, Fig. 2).
15. Attach the upper blade guide bracket to bottom of new, longer guide post.
16. Fasten the new blade guard assembly (Item Nos. 7-11, Fig. 1) to the upper blade guide bracket. **Note:** Always adjust the blade guard assembly to cover the blade com-

pletely whenever the guide post height is changed.

17. Install the new blade; tension and track the blade; adjust both blade guides; close both blade wheel covers. Install the table pin and the table-insert and connect the bandsaw to the power source. See bandsaw operator's manual for full details regarding these adjustments.

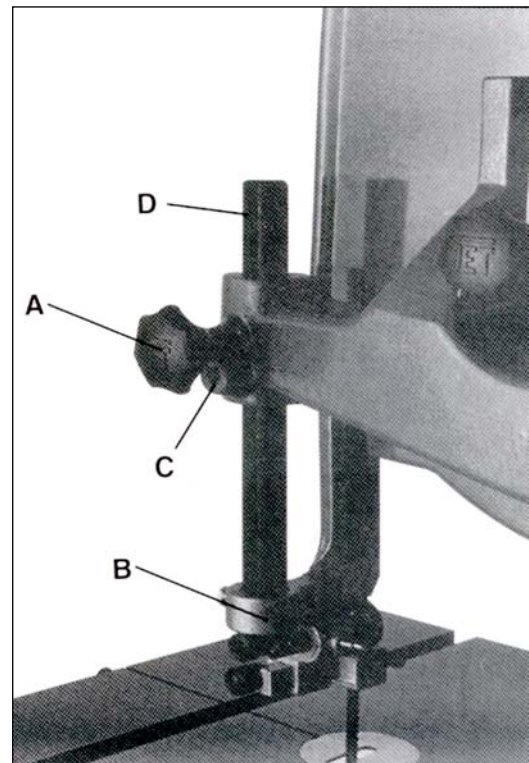
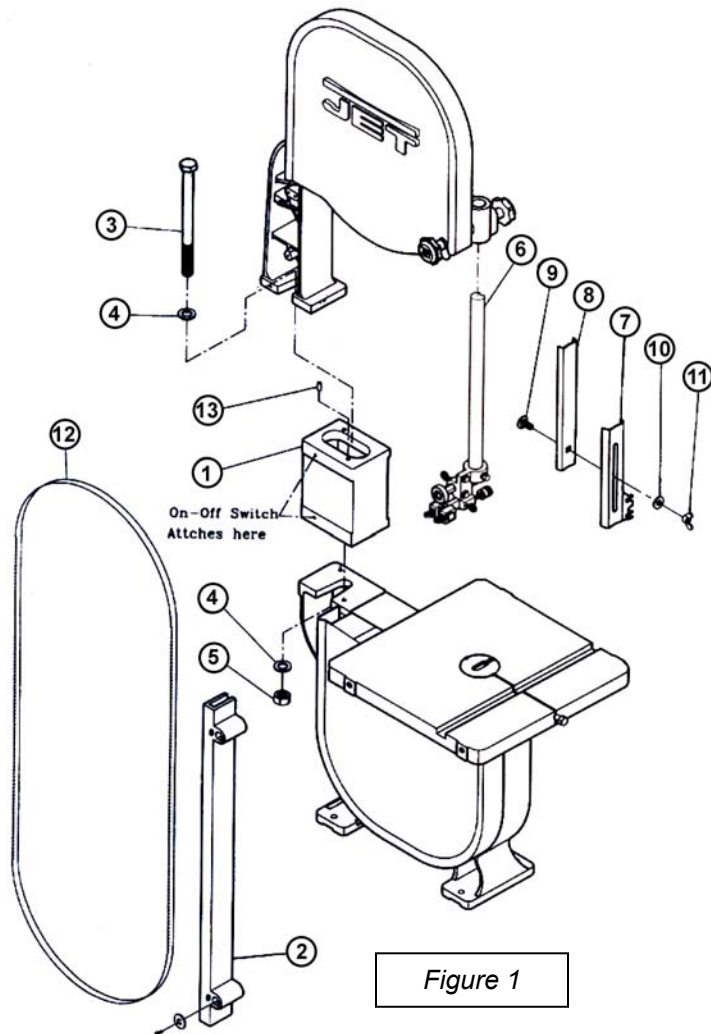


Figure 2

Index No.	Part No.	Description	Size	Qty
1	199188W	Riser Block		1
2	173106W	Blade Guard		1
3	SH608403	Hex Cap Screw	5/8-11 x 8-1/2	1
4	TS-0680081	Flat Washer	5/8	1
5	TS-0561071	Nut	5/8 x 11	1
6	199198A	Guide Post	3/4" Diameter	1
7	199102	Upper Wheel Blade Guard (right)		1
8	199199	Upper Wheel Blade Guard (left)		1
9	SC089400	Square Neck Screw	M8 x 16	1
10	TS-1550061	Washer	M8	1
11	TS-154306	Wing Nut	M8	1
12	199196	Saw Blade (3/8 x 105 x 0.5)	6TPI	1
13	150031	Pin		1