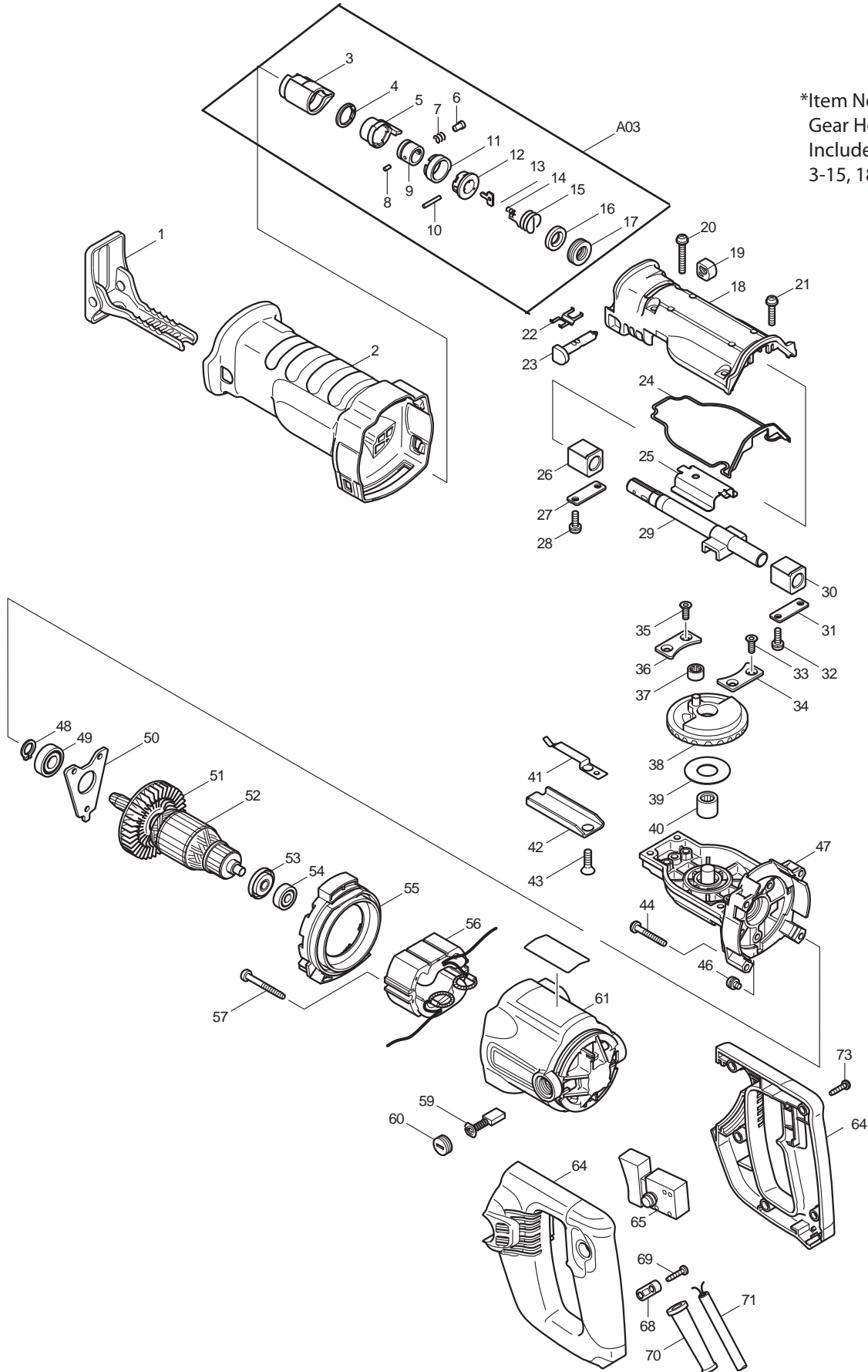




08 - 2010
JR3050T, JR3050TX, JR3050TY
1-1/8" RECIPRO SAW, TOOLLESS



*Item No. 74 #125523-8
Gear Housing Cover Assy
Includes Item No.
3-15, 18, 19, 22, 23, 25-32

Item No	Type	Ref	Part No	Description	Qty	Unit
1			163451-9	SHOE	1	PC.
2			421892-8	INSULATION COVER	1	PC.
3			424147-0	* PROTECTOR (TYPE 2)	1	PC.
4	2		257952-8	* RETAINING RING (EXT) 18	1	PC.
5	2		310285-3	* DRIVING SLEEVE	1	PC.
6			256492-3	SHOULDER PIN 5 (OLD# 256471-1 - N/L/A)	1	PC.
7			233345-3	COMPRESSION SPRING 6	1	PC.
8			268094-3	PIN 3	1	PC.
9	2		331720-8	* GUIDE SLEEVE	1	PC.
10			256158-5	PIN 3	1	PC.
11			417791-0	DRIVING SLEEVE GUIDE	1	PC.
12			418311-3	SLEEVE	1	PC.
13			345214-7	PUSH PLATE	1	PC.
14			233025-1	COMPRESSION SPRING 2	1	PC.
15			231687-9	TORSION SPRING 17 (OLD# 231662-5 - N/L/A)	1	PC.
16			213151-2	OIL SEAL 14	1	PC.
17			213174-0	X RING 14	1	PC.
18			154499-2	GEAR HOUSING COVER COMPLETE	1	PC.
		INC.		Item No. 16,17	1	PC.
19			418806-6	CAP	1	PC.
20			911258-5	PAN HEAD SCREW M5X35	2	PC.
21			911243-8	PAN HEAD SCREW M5X25	2	PC.
22			232221-8	LEAF SPRING A	1	PC.
23			162236-0	SHIFT BUTTON	1	PC.
24			421893-6	SEAL RING	1	PC.
25			345480-6	SLIDE PLATE	1	PC.
26			214169-6	PLANE BEARING 14	1	PC.
27			341462-6	PLATE	1	PC.
28			911225-0	PAN HEAD SCREW M5X16	2	PC.
29	2		154788-5	SLIDER COMPLETE	1	PC.
	3		168405-1	SLIDER	1	PC.
30			214169-6	PLANE BEARING 14	1	PC.
31			341462-6	PLATE	1	PC.
32			911225-0	PAN HEAD SCREW M5X16	2	PC.
33			265148-7	TORX SOCKET HEAD SCREW M5X14	2	PC.
34			345478-3	GEAR PLATE	1	PC.
35			265148-7	TORX SOCKET HEAD SCREW M5X14	2	PC.
36			345478-3	GEAR PLATE	1	PC.
37	1		212001-8	NEEDLE BEARING 708	1	PC.
	2		212959-1	NEEDLE BEARING 708	1	PC.
38			125283-2	GEAR ASS'Y	1	PC.
		INC.	154476-4	GEAR COMPLETE	1	PC.
		INC.		Item No. 40	1	PC.
39			267290-0	FLAT WASHER 18	1	PC.
40			212115-3	NEEDLE BEARING 1216	1	PC.
41			232222-6	LEAF SPRING B	1	PC.
42			345479-1	SHOE GUIDE	1	PC.
43	1		265149-5	+ COUNTERSUNK HEAD SCREW M6X16 -N/L/A	1	PC.
	2		265165-7	TORX SOCKET C.S.HEADSCREW M6X16	1	PC.
44	1		266012-5	TAPPING SCREW 5X35	4	PC.
	2		266373-3	TAPPING SCREW 5X35	4	PC.
46	1		911606-8	PAN HEAD SCREW M5X10	3	PC.
	2		265530-0	HEX.SOCKET HEAD BOLT M5X8	3	PC.
47			154497-6	GEAR HOUSING COMPLETE	1	PC.
48			961052-5	RETAINING RING S-12	1	PC.
49			210102-6	BALL BEARING 6001DDW	1	PC.
50			285718-6	BEARING RETAINER	1	PC.
51			241863-7	FAN 70	1	PC.
52	1		513596-7	* ARMATURE ASS'Y 115V (For 9A Model)	1	PC.
		INC.		* Item No. 51,53,54	1	PC.
	2		518682-9	* ARMATURE ASS'Y 115V	1	PC.
		INC.		* Item No. 51,53,54	1	PC.

Item No	Type	Ref	Part No	Description	Qty	Unit
53			681644-1	INSULATION WASHER	1	PC.
54			210029-0	BALL BEARING 608ZZ	1	PC.
55			418805-8	BAFFLE PLATE	1	PC.
56			525711-1	FIELD ASS'Y 115V	1	PC.
		INC.	654020-2	RING TERMINAL	2	PC.
		INC.	654501-6	CONNECTOR P-1.25	2	PC.
57	3		266056-5	TAPPING SCREW 5X45	2	PC.
59	1		191963-2	CARBON BRUSH CB-303 2PC/SET (W/O ORIGIN) -N/L/A	1	SET
	2		194996-6	CARBON BRUSH CB-303 2PC/SET (W/ORIGIN)	1	SET
60			643750-0	BRUSH HOLDER CAP	2	PC.
61			154498-4	MOTOR HOUSING COMPLETE	1	PC.
		INC.	643708-9	BRUSH HOLDER 5-11	2	PC.
64			183920-4	HANDLE SET	1	SET
65			650543-8	SWITCH TG843TB-1	1	PC.
68			687063-9	STRAIN RELIEF	1	PC.
69			265995-6	TAPPING SCREW 4X18	2	PC.
70	1		682572-3	* CORD GUARD 8 (For 9A Model)	1	PC.
	2		682573-1	* CORD GUARD 10	1	PC.
71	1		664891-9	* CORD WITH PLUG 2P-18-2.5M SJ (For 9A Model)	1	PC.
	2		664265-4	* CORD WITH PLUG 2P-16-2.5M, SJ	1	PC.
73			265995-6	TAPPING SCREW 4X18	5	PC.
74			125523-8	* GEAR HOUSING COVER ASSY	1	PC.
		INC.		* Item No. 3 - 15, 18 & 19, 22 & 23 & 25 - 32	1	PC.
<u>ACCESSORIES</u>				- See catalogue or visit www.makita.ca for more optional accessories -		
A01	1		824734-9	* PLASTIC CARRYING CASE	1	PC.
		INC.	417724-5	* LATCH	2	PC.
	2		821621-3	* PLASTIC CARRYING CASE	1	PC.
		INC.	162315-4	* LATCH	2	PC.
A02	1		193572-3	RECIPRO SAW BLADE 3PC/SET - N/L/A	1	SET
	2		194068-7	RECIPRO SAW BLADE 2PC/SET	1	SET
			723054-A-5	RECIPRO SAW BLADE BIM 6T-6" (JR3050TY)	1	PC.
A03			310285-3X1	BLADE CLAMP KIT (See Partsbreakdown 310285-3X1)	1	PC.
A04			195929-4	BLADE CLAMP KIT (See Partsbreakdown 195929-4)	1	PC.

SERVICE CHANGES:

1. CHANGES ON PROTECTOR & DRIVING SLEEVE

Item No.	Description	TYPE 1	TYPE 2
3	PROTECTOR	421894-4 (N/L/A)	424147-0
5	DRIVING SLEEVE	310160-3	310285-3

Above parts are interchangeable as a set. (T/I# 81159)

2. CHANGES ON RETAINING RING & GUIDE SLEEVE

Item No.	Description	TYPE 1	TYPE 2
4	RETAINING RING	961078-7 (S-18)	257952-8 (S)
9	GUIDE SLEEVE	331639-1	331720-8

Above parts are interchangeable as a set. (T/I# 75599)

**3. CHANGES ON ARMATURE, CORD & CORD GUARD
(THE CHANGE OF RATED AMPERAGE FROM 9A TO 11A)**

Item No.	Description	TYPE 1	TYPE 2
52	ARMATURE	513596-7	518682-9
70	CORD W/PLUG	664891-9	664265-4
71	CORD GUARD	682572-3	682573-1

Above parts are interchangeable as a set.* (T/I# 95579, 96096)

TYPE 1 Parts can use with the 9A Model (Serial No. ~ 845732)

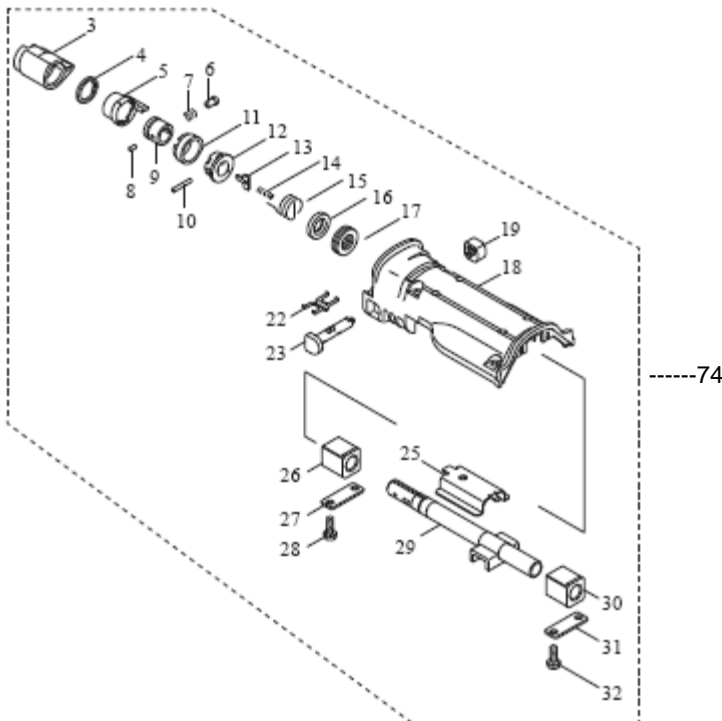
TYPE 2 Parts can use with the 9A and 11A Model (Serial No. 845733 ~)

* DO NOT USE TYPE 1 CORD/ CORD GUARD (9A) with TYPE 2 ARMATURE (11A)

4. ADDITION OF 125523-8 GEAR HOUSING COVER ASSY

Item No.	Description	Part No.
74	GEAR HOUSING COVER ASSY	125523-8

(T/I# Y06106)



*Apply 12g of Makita Grease FA No.2 when assembling.

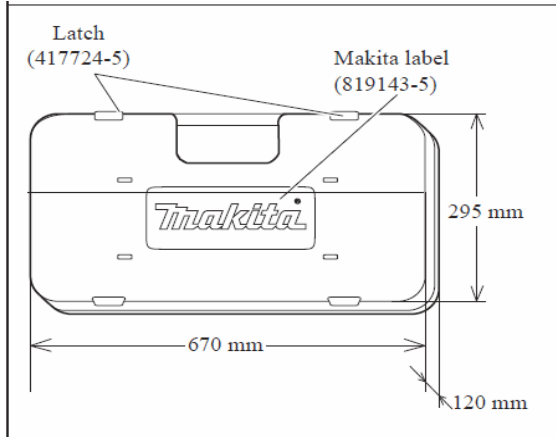
5. CHANGES ON PLASTIC CARRYING CASE

Item No.	Description	TYPE 1	TYPE 2
A01	Plastic carrying case	824734-9	821621-3
	INC. Latch	417724-5	162315-4
	INC. Makita label	819143-5 (N/A)	-----

Above parts are interchangeable as a set.*

(T/I# A4241)

TYPE 1



TYPE 2

