



Operating and Maintenance Instructions

Air Hammer

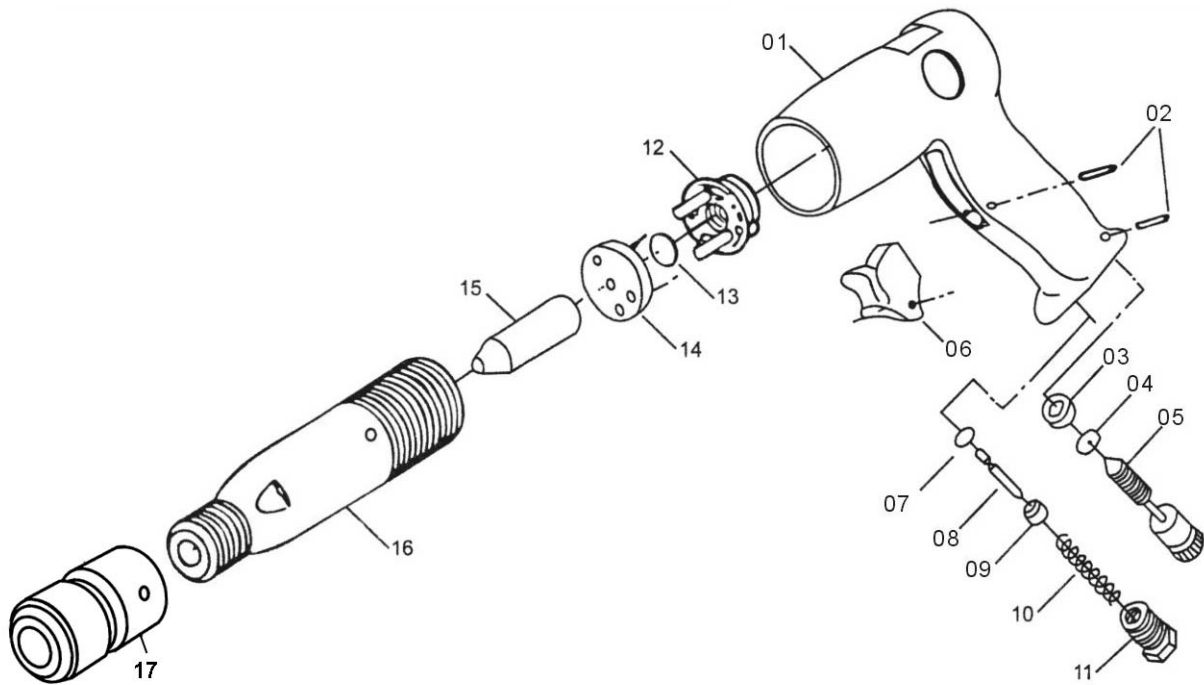
Model JNS-2060



JET
427 New Sanford Road
LaVergne, Tennessee 37086
Ph.: 800-274-6848
www.jettools.com

Part No. M-JNS2060
Revision A2 05/2014
Copyright © 2014 JET

Parts List for JNS-2020 and JNS-2060 Air Hammers



Index No.	Part No.	Description	Qty
01	JNS2020-01	Handle	1
02	JNS2020-02	Pin	2
03	JNS2020-03	Ball Seat	1
04	JNS2020-04	O-Ring	1
05	JNS2020-05	Regulator	1
06	JNS2020-06	Trigger	1
07	JNS2020-07	O-Ring	1
08	JNS2020-08	Pin	1
09	JNS2020-09	Pin Seat	1
10	JNS2020-10	Throttle Spring	1
11	JNS2020-11	Hose Adaptor	1
12	JNS2020-12	Upper Valve Case	1
13	JNS2020-13	Valve Disc	1
14	JNS2020-14	Lower Valve Case	1
15	JNS2020-15	Piston	1
16	JNS2020-16	Cylinder	1
17	JNS2060-17	Quick Release Chuck	1
18	JNS2020-18	Peening Chisel, 5" Lg. (shown on page 5)	1
19	JNS2020-19	Nut Splitter Chisel, 5" Lg, 3mm opening (shown on page 5)	1
20	JNS2020-20	Flat Chisel, 5" Lg. (shown on page 5)	1
21	JNS2020-21	Panel Cutter Chisel, 5" Lg. (shown on page 5)	1
22	JNS2020-22	Pipe Cutter Chisel, 5" Lg. (shown on page 5)	1
	JNS2020-WL	Warning Label (not shown)	1
	JSG-1304	4 Pc. Chisel Set (Includes #18, 19, 20 and 21)	