



# Operating and Maintenance Instructions

## 5" (or 4-1/2") Angle Grinder

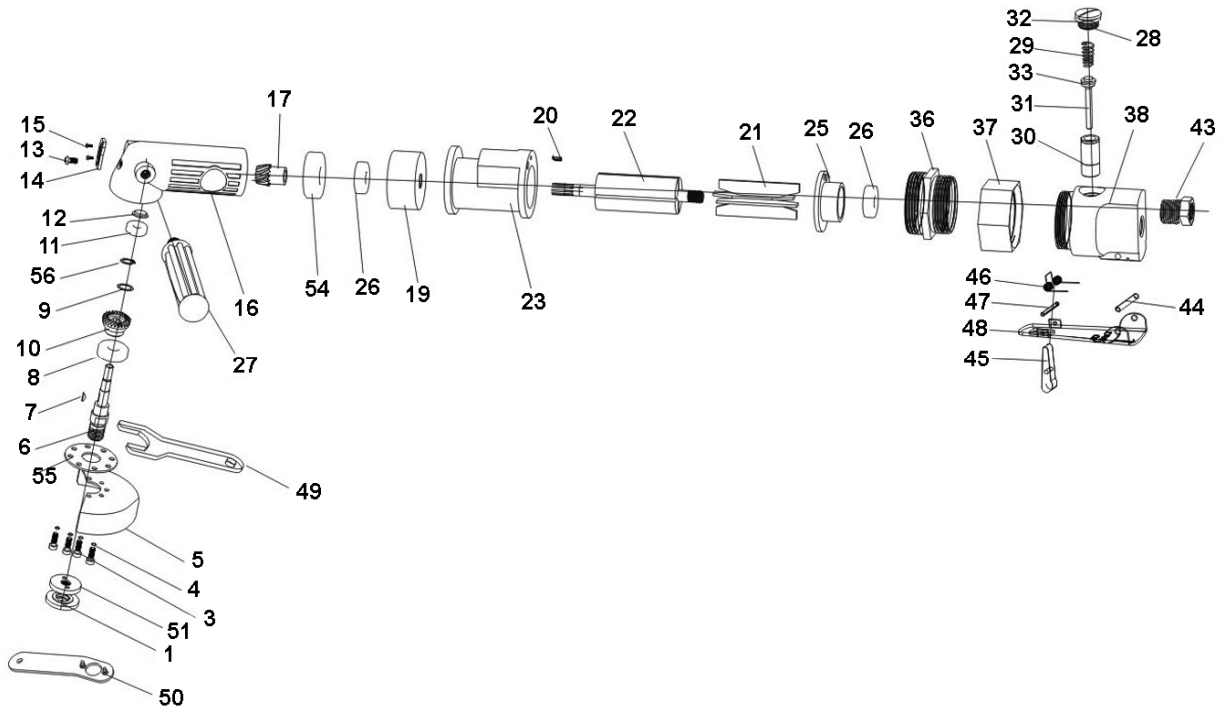
Model JNS-185



**JET**  
427 New Sanford Road  
LaVergne, Tennessee 37086  
Ph.: 800-274-6848  
[www.jettools.com](http://www.jettools.com)

**Part No. M-JNS185**  
Revision C2 05/2014  
Copyright © 2014 JET

## Parts List for JNS-185 Angle Grinder



Index No	Part No	Description	Size	Qty
1.....	JNS185-1.....	Flange Nut .....		1
3.....	JNS185-3.....	Screw.....		4
4.....	JNS185-4.....	Lock Washer .....		4
5.....	JNS185-5.....	Disc Cover .....		1
6.....	JNS185-6.....	Spindle .....		1
7.....	JNS185-7.....	Flat Key.....		1
8.....	JNS185-8.....	Ball Bearing.....	6202Z.....	1
9.....	JNS185-9.....	Spindle Collar .....		1
10.....	JNS185-10.....	Bevel Gear .....		1
11.....	JNS185-11.....	Ball Bearing.....	626Z.....	1
12.....	JNS185-12.....	Spacer .....		1
13.....	JNS185-13.....	Screw.....		1
14.....	JNS185-14.....	Exhaust Screen .....		1
15.....	TS-1531012.....	Phillips Pan Head Machine Screw .....	M3x6.....	2
16.....	JNS185-16.....	Housing .....		1
17.....	JNS185-17.....	Pinion .....		1
18.....	JNS185-18.....	Rotor Collar .....		1
19.....	JNS185-19.....	Front Plate .....		1
20.....	JNS185-20.....	Woodruff Key .....	3x3.5mm, R6.5.....	1
21.....	JNS185-21.....	Vane .....		4
22.....	JNS185-22.....	Rotor .....		1
23.....	JNS185-23.....	Cylinder .....		1
24.....	JNS185-24.....	Roll Pin .....		1
25.....	JNS185-25.....	Bearing Plate .....		1
26.....	JNS185-26.....	Ball Bearing.....	608Z.....	2
27.....	JNS185-27.....	Handle .....		1
28.....	JNS185-28.....	Screw.....		1
29.....	JNS185-29.....	Spring .....		1
30.....	JNS185-30.....	Valve Stem Bushing .....		1

Index No	Part No	Description	Size	Qty
31	JNS185-31	Valve Stem		1
32	JNS185-32	O-Ring	Ø5x2.4mm	1
33	JNS185-33	O-Ring	Ø 9x2mm	1
34	JNS185-34	Roll Pin		2
35	JNS185-35	Pendulum		8
36	JNS185-36	Locking Nut		1
37	JNS185-37	Coupling Nut		2
38	JNS185-38	Throttle Valve Housing		1
39	JNS185-39	Nut		1
40	JNS185-40	Spring		1
	JNS185-100	Throttle Valve Assembly (contains index# 41 and 42)		1
41		Throttle Valve Body		1
42		Throttle Valve		3
43	JNS185-43	Air Inlet		1
44	JNS185-44	Roll Pin		1
	JNS185-200	Throttle Lever Assembly (contains index# 45 thru 48)		1
45		Throttle Lever Lock		1
46		Torsion Spring		1
47		Roll Pin		1
48		Throttle Lever		1
49	JNS285-49	Wrench		1
50	JNS285-50	Pin Wrench		1
51	JNS185-51	Flange		1
52	JNS185-52	Bushing		1
53	JNS185-WL	Warning Label (not shown)		1
54	JNS185-54	Bearing		1
55	JNS185-55	Retainer		1
56	JNS185-56	Retaining Ring		1
	JNS185-RB	Rebuild Kit (includes index # 6,8,10,17,26)		
	JNS185-RP	Repair Kit (includes index # 21,32,33,40)		

NOTE: Grinding wheels are not provided; see your dealer to order.



427 New Sanford Road  
LaVergne, Tennessee 37086  
Phone: 800-274-6848  
www.jettools.com