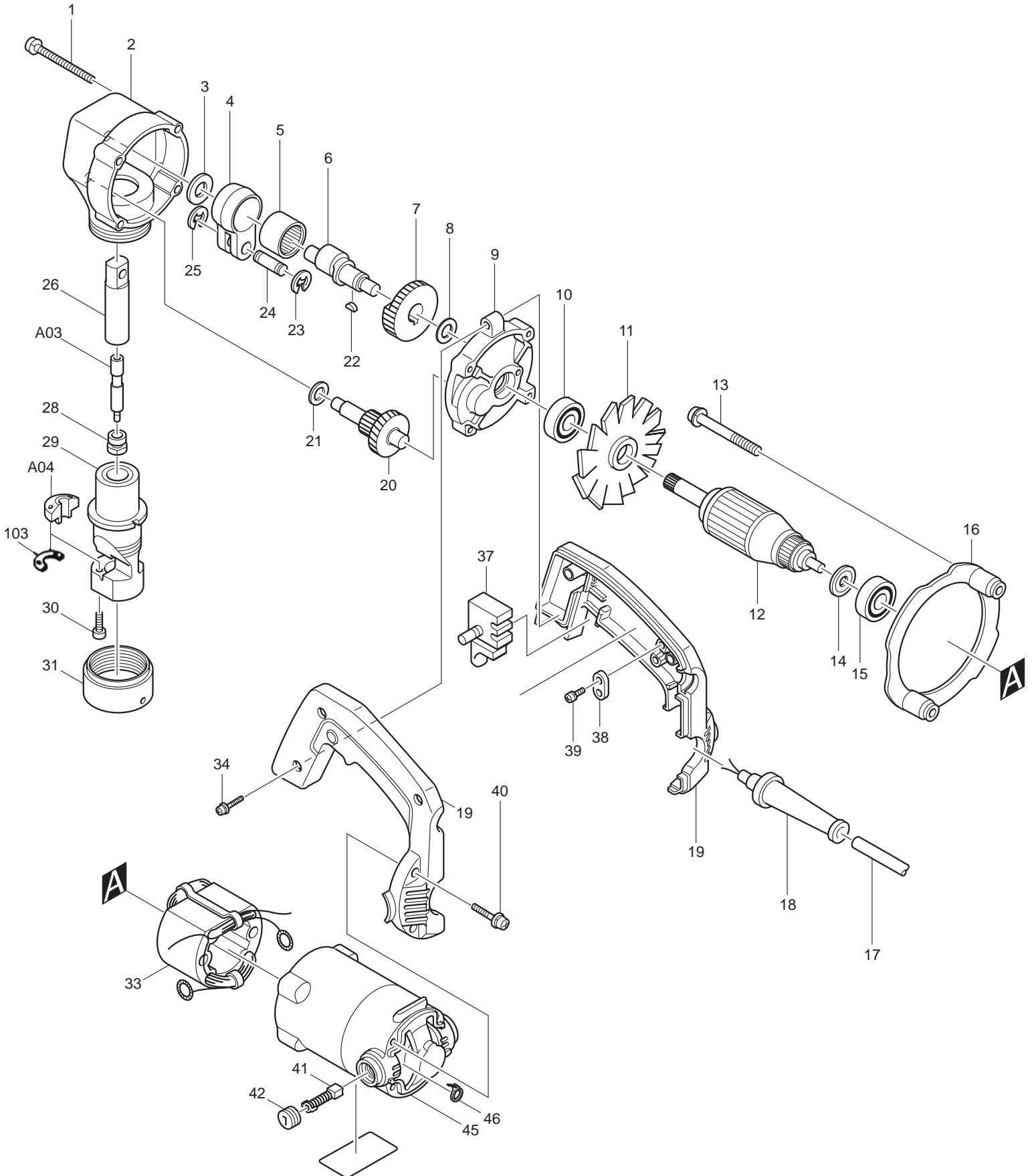




04 - 2010
JN3200
10 GAUGE NIBBLER



| Item No | Type | Ref | Part No | Description | Qty | Unit |
|---------|------|------|----------|--|-----|------|
| 1 | | | 911271-3 | PAN HEAD SCREW M5X50 | 4 | PC. |
| 2 | | | 156838-2 | GEAR HOUSING | 1 | PC. |
| | | INC. | 212117-9 | NEEDLE BEARING 1216 | 1 | PC. |
| | | INC. | 214001-4 | PLANE BEARING 8 | 1 | PC. |
| | | INC. | 256725-6 | PIN 2.5 | 1 | PC. |
| 3 | | | 253759-0 | FLAT WASHER 12 | 1 | PC. |
| 4 | | | 331167-6 | ROD | 1 | PC. |
| 5 | | | 212306-6 | NEEDLE BEARING 2020 | 1 | PC. |
| 6 | | | 321408-8 | CRANK SHAFT | 1 | PC. |
| 7 | | | 221880-3 | SPUR GEAR 44 | 1 | PC. |
| 8 | | | 253758-2 | FLAT WASHER 10 | 1 | PC. |
| 9 | | | 156833-2 | GEAR HOUSING COVER | 1 | PC. |
| | | INC. | 263002-9 | RUBBER PIN 4 | 1 | PC. |
| | | INC. | 212061-0 | NEEDLE BEARING 1010 | 1 | PC. |
| | | INC. | 212063-6 | NEEDLE BEARING 1012 | 1 | PC. |
| 10 | | | 211033-2 | BALL BEARING 608LB | 1 | PC. |
| 11 | | | 241517-6 | FAN 70 | 1 | PC. |
| 12 | 2 | | 512756-8 | ARMATURE ASS'Y 115V (OLD# 612756-9) | 1 | PC. |
| | | INC. | | Item No. 10, 11, 14, 15 | 1 | PC. |
| 13 | | | 911681-4 | P.H. SCREW M5X60 (OLD# 251361-3, 925283-0) | 2 | PC. |
| 14 | | | 681613-2 | INSULATION WASHER | 1 | PC. |
| 15 | | | 211033-2 | BALL BEARING 608LB | 1 | PC. |
| 16 | | | 411876-4 | BAFFLE PLATE | 1 | PC. |
| 17 | | | 664064-4 | CORD W/PLUG 2P-18-2.5M, SJ | 1 | PC. |
| 18 | | | 682502-4 | CORD GUARD 8-85 | 1 | PC. |
| 19 | | | 181441-0 | HANDLE SET | 1 | SET |
| 20 | | | 226060-6 | GEAR COMPLETE 15-46 | 1 | PC. |
| 21 | | | 253215-0 | FLAT WASHER 8 | 1 | PC. |
| 22 | | | 254001-2 | WOODRUFF KEY 4 | 1 | PC. |
| 23 | | | 961013-5 | STOP RING E-7 | 1 | PC. |
| 24 | | | 321418-5 | PIN 9 | 1 | PC. |
| 25 | | | 961013-5 | STOP RING E-7 | 1 | PC. |
| 26 | | | 152486-5 | PUNCH HOLDER COMPLETE * | 1 | PC. |
| | | INC. | 951010-9 | SPRING PIN 2-14 | 1 | PC. |
| 28 | | | 321406-2 | SCREW | 1 | PC. |
| 29 | | | 152176-0 | DICE HOLDER COMPLETE | 1 | PC. |
| | | INC. | 214207-4 | PLANE BEARING 16 | 2 | PC. |
| 30 | | | 922127-5 | HEX. SOCKET HEAD BOLT M4X16 | 2 | PC. |
| 31 | | | 321415-1 | LOCK NUT | 1 | PC. |
| 33 | 1 | | 622551-9 | FIELD ASS'Y 115V | 1 | PC. |
| | | INC. | 654501-6 | CONNECTOR P-1.25 | 2 | PC. |
| | | INC. | 654019-7 | RING TERMINAL | 2 | PC. |
| | 2 | | 522551-8 | FIELD ASS'Y 115V | 1 | PC. |
| | | INC. | 654501-6 | CONNECTOR P-1.25 | 2 | PC. |
| | | INC. | 654019-7 | RING TERMINAL | 2 | PC. |
| 34 | | | 911243-8 | PAN HEAD SCREW M5X25 | 3 | PC. |
| 37 | | | 651225-5 | SWITCH (TRIGGER) | 1 | PC. |
| 38 | | | 687002-9 | STRAIN RELIEF (F/SJ CORD) | 1 | PC. |
| | | | 687001-1 | STRAIN RELIEF (F/SJT CORD) | 1 | PC. |
| 39 | | | 911133-5 | PAN HEAD SCREW M4X18 (OLD# 911131-9) | 2 | PC. |
| 40 | | | 911243-8 | PAN HEAD SCREW M5X25 | 4 | PC. |
| 41 | 1 | | 191945-4 | CARBON BRUSH CB-124 2PC/SET (W/O ORIGIN) | 1 | SET |
| | 2 | | 194982-7 | CARBON BRUSH CB-124 2PC/SET (W/ ORIGIN) | 1 | SET |
| 42 | | | 643600-9 | BRUSH HOLDER CAP 6-10 | 2 | PC. |
| | | INC. | 643609-1 | BRUSH HOLDER 6-10 (OLD#643603-3) | 2 | PC. |

| Item No | Type | Ref | Part No | Description | Qty | Unit |
|---|------|------|----------|----------------------------------|-----|------|
| 45 | | | 156734-4 | MOTOR HOUSING | 1 | PC. |
| | | INC. | 263014-2 | RUBBER PIN 4 | 1 | PC. |
| 46 | | | 687010-0 | BAND | 1 | PC. |
| 50 | | | 410048-8 | WRENCH HOLDER F/384 | 1 | PC. |
| 51 | | | 819001-5 | MAKITA LABEL, ENG | 1 | PC. |
| 100 | | | 652008-6 | (+) P.H. SCREW M3.5X7 | 4 | PC. |
| 101 | | | 654037-5 | INSULATED EYE TERMINAL FT1.25-M3 | 4 | PC. |
| 103 | Opt. | | 341796-7 | WASHER (SHIM) | 1 | PC. |
| (Qty as required, see Instruction Manual Page 5-11) | | | | | | |

ACCESSORIES

- See Catalogue or visit www.makita.ca for more accessories -

| | | | | | | |
|-----|--|--|----------|---------------------|---|-----|
| A01 | | | 783201-2 | HEX. WRENCH 3 | 1 | PC. |
| A02 | | | 781019-5 | WRENCH 50 | 1 | PC. |
| A03 | | | 792728-1 | PUNCH | 1 | PC. |
| A04 | | | 792292-2 | DIE | 1 | PC. |
| A05 | | | 181797-1 | STEEL CARRYING CASE | 1 | PC. |

SERVICE CHANGES

| Item No. | Description | Type 1 | Type 2 |
|----------|----------------------------------|---------------------|------------------------------|
| 26 | Punch Holder / Punch Holder Com. | 321407-0 | 152486-5 (Incl. 951010-9) |
| A03 | Punch | 792291-4 (N/L/A) | 792728-1 |
| | Serial No. | -25230 | 25230 - |

Above parts are completely interchangeable as a set.