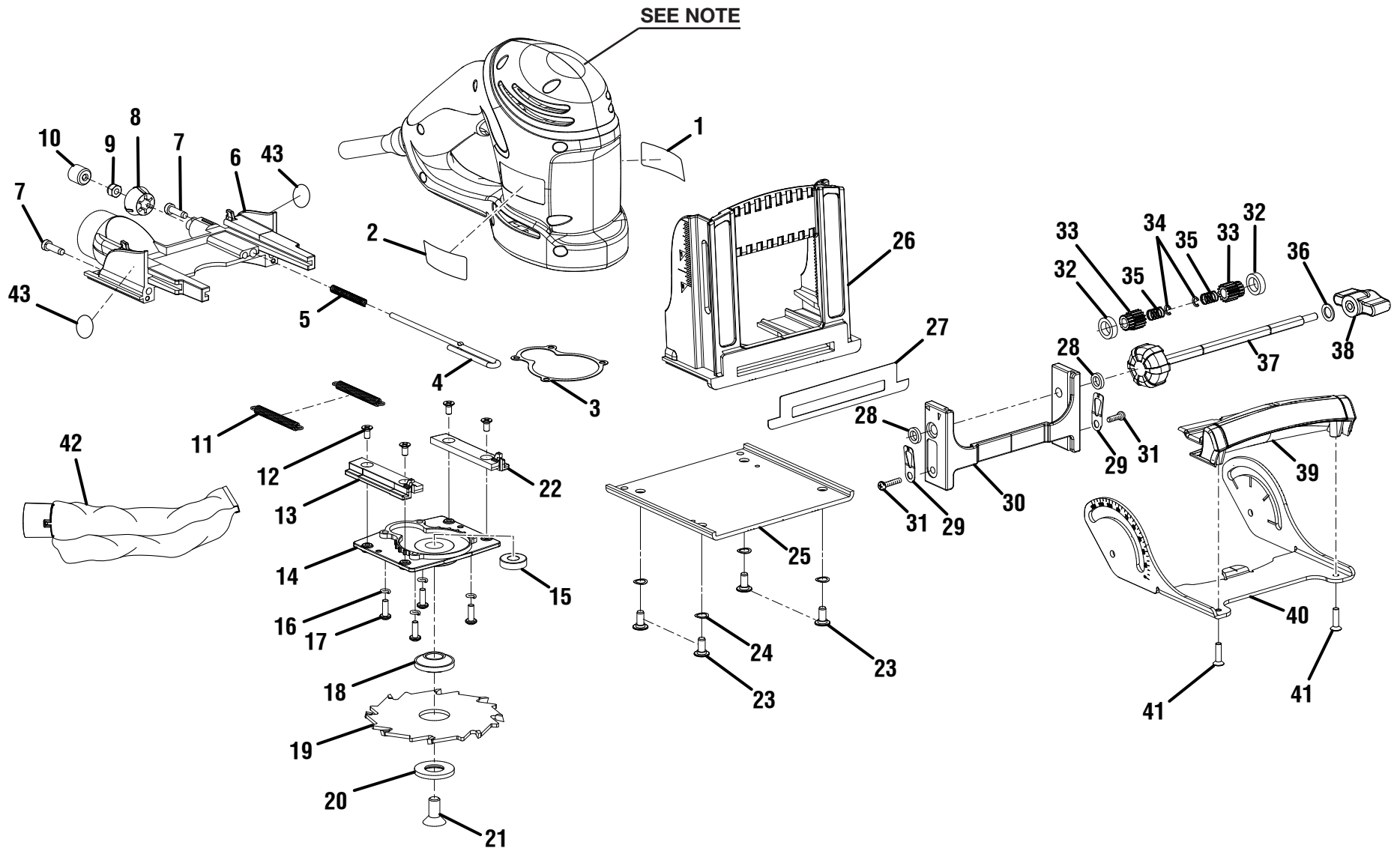


RYOBI BISCUIT JOINER – MODEL NUMBER JM82



Note: The assembly shown represents an important part of the double insulated system. To avoid the possibility of alteration or damage to the System, service should be performed by your nearest Sears repair center. Contact your nearest Sears retail store for service center information.

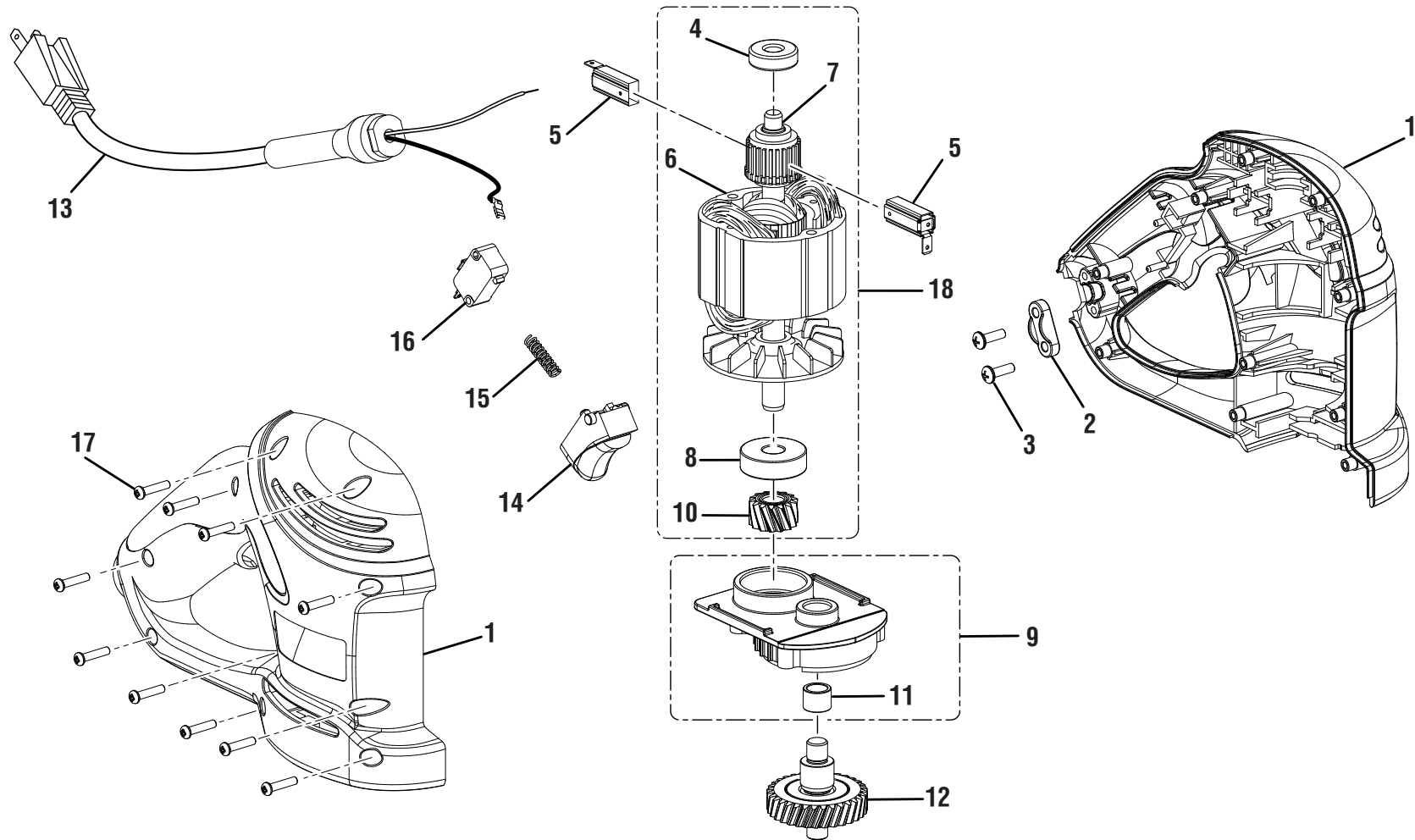
RYOBI BISCUIT JOINER – MODEL NUMBER JM82

The model number will be found on a label attached to the motor housing. Always mention the model number in all correspondence regarding your **BISCUIT JOINER** or when ordering repair parts.

PARTS LIST

KEY NO.	PART NUMBER	DESCRIPTION	QTY	KEY NO.	PART NUMBER	DESCRIPTION	QTY
1	940304063	Logo Label	1	23	660569001	Screw (M5 x 12 mm, Flat Hd.).....	4
2	940301021	Data Label	1	24	690903001	Wavy Washer	4
3	900501001	Oil Seal	1	25	631152001	Base	1
4	630070001	Adjustment Rod	1	26	640851004	Faceplate.....	1
5	690206001	Compression Spring	1	27	900949001	Nonskid Surface.....	1
6	640852002	Rear Base.....	1	28	512338001	Washer	2
7	660328001	Screw (10-24 x 3/4 in., Fil. Hd.).....	2	29	631168001	Spring Plate.....	2
8	342213001	Depth Adjustment Knob.....	1	30	640853004	Height Frame.....	1
9	660106002	Lock Nut (8-32).....	1	31	660409001	Screw	2
10	690157001	Locking Knob	1	32	570255001	Washer	2
11	690215001	Tension Spring	2	33	610401001	Height Gear	2
12	660213009	Screw (M4 x 8 mm)	4	34	631225001	C-Ring	2
13	512093001	Track (L).....	1	35	671391001	Compression Spring	2
14	200294002	Bearing Plate Assembly (Incl. Key 15).....	1	36	512544001	Plastic Washer.....	1
15	680894001	Ball Bearing (CW#6001RS)	1	37	301147002	Height Adjustment Rod Assembly	1
16	6703001	Lock Washer	4	38	512210001	Fixed Knob	1
17	660212018	Screw (M4 x 16 mm, Pan Hd.)	4	39	342217001	Fence Handle	1
18	690148001	Blade Washer	1	40	631151002	Adjustable Fence.....	1
19	671289002	Blade	1	41	660279006	Screw (M4 x 16 mm, Flat Hd.).....	2
20	630057002	Blade Lock Washer	1	42	300027046	Dust Bag Assembly.....	1
21	660326001	Screw (5/16-18 x 3/4 In., Flat Hd.)	1	43	940932013	Warning Label	2
22	512265001	Track (R)	1				

SECTION "A"



SECTION "A" REPRESENTS AN IMPORTANT PART OF THE DOUBLE INSULATED SYSTEM OF THIS TOOL. ANY REPAIR TO THIS TOOL REQUIRES DIELECTRIC TESTING TO INSURE CUSTOMER SAFETY AND TO COMPLY WITH COMPANY REQUIREMENTS.

RYOBI BISCUIT JOINER – MODEL NUMBER JM82

The model number will be found on a label attached to the motor housing. Always mention the model number in all correspondence regarding your **BISCUIT JOINER** or when ordering repair parts.

PARTS LIST

KEY NO.	PART NUMBER	DESCRIPTION	QTY.
1	200202308	Housing Assembly.....	1
2	5950101	Cord Clamp	1
3	660208052	Screw (M4 x 16 mm, Pan Hd.).....	2
4	671004001	Ball Bearing (SL#6200 2RS)	1
5	290069051	Brush Assembly.....	2
6	740654002	* Field Assembly (V Motor).....	1
7	200216031	* Armature w/Bearings (Inc. Key Nos. 4, 8 and 10; V Motor).....	1
8	681266002	Ball Bearing (CW#6200RS).....	1
9	200281005	Gear Case Assembly (Inc. Key No. 11).....	1
10	610266001	Pinion.....	1
11	690147001	Sleeve Bearing.....	1
12	200287003	Gear Assembly	1
13	290086018	Power Cord Assembly	1
14	512215001	Trigger.....	1
15	690217001	Spring	1
16	760307001	Switch.....	1
17	660206001	Screw (M3.5 x 18 mm, Pan Hd.).....	10
18	200216030	** Motor Assembly (Inc. Key Nos. 6-7; V Motor).....	1

Not Shown:

- 940299505 Cord Label
- 300912111 Carrying Case
- 301189002 #10 Biscuit Accessory Kit
- 983000493 Operator's Manual (960223252)
- 1-16-14
- (Rev:03)

WARNING: Improper repair of a double insulated tool can result in damage to the double insulation system possibly causing electrical shock or electrocution. Any repairs requiring disassembly of your tool requires safety testing and should only be performed by a Ryobi authorized Service Center. For the service center nearest you call 1-800-525-2579.

* To Be Used After Date Code CS0841 Only
 ** To Be Used For Motor Replacement Prior To Date Code CS0841