

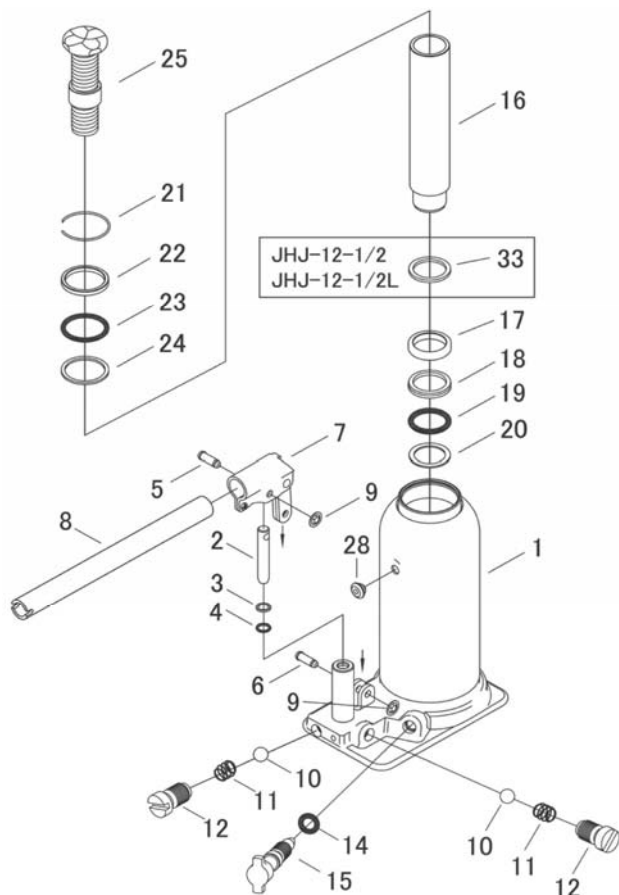


Hydraulic Bottle Jacks

JHJ-8 (stock no. 453308)

JHJ-12-1/2 (stock no. 453312)

JHJ-12-1/2L (stock no. 453313K)



JHJ-8

- JHJ008-RK Repair Kit
- JHJ008-02 Pump Plunger
- JHJ008-03* Pump Backup Ring (Ref JHJ005-03)
- JHJ008-04* Pump Packing
- JHJ008-05 Pump Plunger Pin
- JHJ008-06 Pump Stay Pin (Ref JHJ008-05)
- JHJ008-07 Handle Socket Assembly
- JHJ008-08 Handle 3pc.
- JHJ008-09 Pin Stopper Ring
- JHJ008-10 Valve Ball (Ref SB-9/32)
- JHJ008-11 Spring (Ref JHJ005-11)
- JHJ008-12 Valve Plug (Ref JHJ005-12)
- JHJ008-14* Release Packing (JHJ001-14)
- JHJ008-15 Release Assy Old (JHJ001-15)
- JHJ008-15A Release Assy New (JHJ001-15A)
- JHJ008-16 Ram
- JHJ008-17 Ram Packing Seat
- JHJ008-18* Ram Backup Ring
- JHJ008-19* Ram Packing
- JHJ008-20 Ram Packing Stopper
- JHJ008-21 Snap Ring
- JHJ008-22 Stuffing Ring
- JHJ008-23* Cylinder Packing
- JHJ008-24 Stopper Ring (Ref JHJ008-22)
- JHJ008-25 Adjusting Screw Assembly
- JHJ008-28* Oil Plug (Ref JHJ001-28)

JHJ-12-1/2 and JHJ-12-1/2L

- JHJ012-RK Repair Kit
- JHJ012-02 Pump Plunger (Ref JHJ008-02)
- JHJ012-03* Pump Backup Ring (Ref JHJ005-03)
- JHJ012-04* Pump Packing (Ref JHJ008-04)
- JHJ012-05 Pump Plunger Pin (Ref JHJ008-05)
- JHJ012-06 Pump Stay Pin (Ref JHJ008-05)
- JHJ012-07 Handle Socket (Ref JHJ008-07)
- JHJ012-08 Handle 3pc. (Ref JHJ008-08)
- JHJ012-08LP Handle 1pc
- JHJ012-09 Pin Stopper Ring (Ref JHJ008-09)
- JHJ012-10 Valve Ball (Ref SB-9/32)
- JHJ012-11 Spring (Ref JHJ005-11)
- JHJ012-12 Valve Plug (Ref JHJ005-12)
- JHJ012-14* Release Packing (Ref JHJ001-14)
- JHJ012-15 Release Assy Old (Ref JHJ001-15)
- JHJ012-15A Release Assy New (Ref JHJ001-15A)
- JHJ012-16 Ram
- JHJ012-16LP Ram
- JHJ012-17 Ram Packing Seat
- JHJ012-18* Ram Backup Ring
- JHJ012-19* Ram Packing
- JHJ012-20 Ram Packing Stopper
- JHJ012-21 Snap Ring
- JHJ012-22 Stuffing Ring
- JHJ012-22LP Stuffing Ring
- JHJ012-23* Cylinder Packing
- JHJ012-24 Stopper Ring (Ref JHJ012-22)
- JHJ012-25 Adjusting Screw Assembly
- JHJ012-25LP Adjusting Screw Assembly
- JHJ012-28* Oil Plug (Ref JHJ001-28)
- JHJ012-33 Ring

* denotes part included in repair kit

	JHJ-8	JHJ-12-1/2	JHJ-12-1/2L
Rated capacity	8 ton	12-1/2 ton	12-1/2 ton
Minimum height (in.)	7-7/8	9-1/2	6-3/4
Piston height (in.)	4-5/8	5-7/8	3-3/4
Head screw (h/in.)	2-3/4	3-1/8	3
Maximum height (in.)	15-1/2	18-1/2	13-3/8
Base size (LxW/in.)	6 x 3-1/2	6-1/2 x 4-1/8	6-1/2 x 4-1/8
Weight (lbs)	13	18	15

Part No. M-453308

Revision G1 04/2014

JET

a Division of JPW Industries, Inc.
 427 New Sanford Rd.
 LaVergne, Tennessee 37086
 Ph.: 800-274-6848
 www.jettools.com