

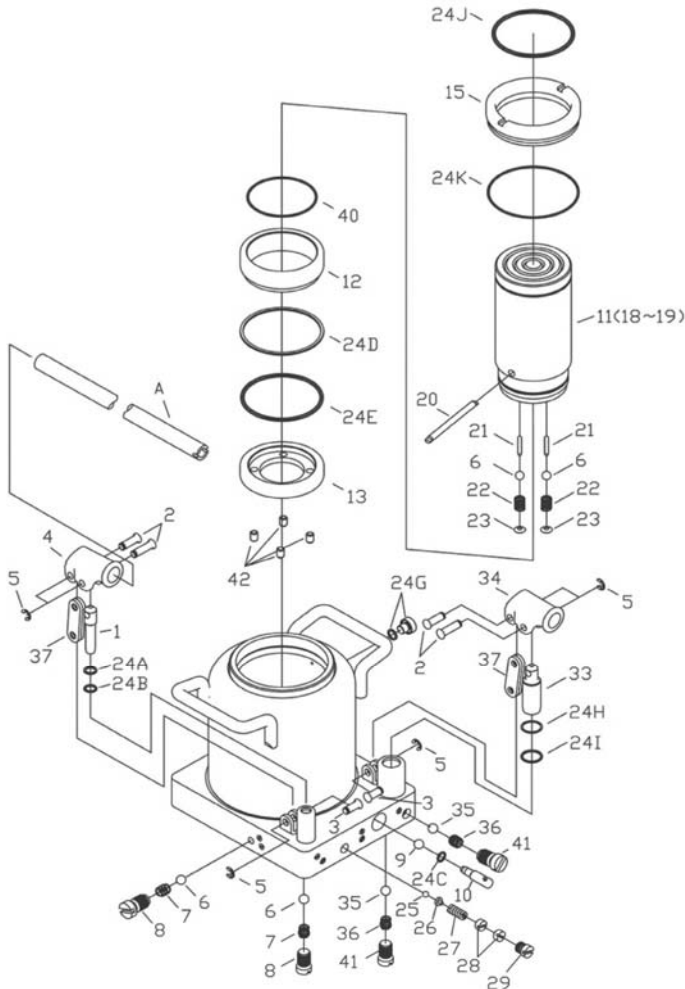


Hydraulic Bottle Jack
JHJ-100 (stock no. 453399)

JHJ-100

Part No.	Description
JHJ100-RK	Repair Kit*
JHJ100-A	Handle
JHJ100-01	Pump Plunger
JHJ100-02	Pump Plunger Pin
JHJ100-03	Pump Stay Pin
JHJ100-04	Handle Socket
JHJ100-05	Snap Ring
JHJ100-06	Valve Ball (Ref SB-1/4)
JHJ100-07	Valve Spring (Ref JHJ001-11)
JHJ100-08	Valve Plug (Ref JHJ005-12)
JHJ100-09	Release Ball (Ref SB-13/32)
JHJ100-10	Release Assy Old (Ref JHJ001-15)
JHJ100-10A	Release Assy New (JHJ001-15A)
JHJ100-11	Ram Assembly (incl. 18 & 19)
JHJ100-12	Ram Packing Seat
JHJ100-13	Ram Packing Stopper
JHJ100-15	Stuffing Ring
JHJ100-18	Supporting Plate
JHJ100-19	Snap Ring
JHJ100-20	Horizontal Pin
JHJ100-21	Vertical Pin
JHJ100-22	Ram Spring
JHJ100-23	Ram Spring Stopper Ring
JHJ100-24A	Pump Backup Ring
JHJ100-24B	Pump Packing
JHJ100-24C	Release Packing
JHJ100-24D	Ram Backup Ring
JHJ100-24F	Cylinder Packing w/ O-Ring
JHJ100-24G	Oil Plug
JHJ100-24H	Lower Pressure Pump Backup Ring
JHJ100-24I	Lower Pressure Pump Packing
JHJ100-24J	Inner Packing
JHJ100-24K	Outer Packing
JHJ100-25	Safety Valve Ball (Ref SB-3/16)
JHJ100-26	Safety Valve Receiver
JHJ100-27	Safety Valve Spring
JHJ100-28	Safety Valve Adjust Screw
JHJ100-29	Safety Valve Plug
JHJ100-33	Lower Pressure Pump Plunger
JHJ100-34	Lower Pressure Handle Socket
JHJ100-35	Lower Pressure Valve Ball (Ref SB-13/32)
JHJ100-36	Lower Pressure Valve Spring
JHJ100-37	Pump Stay
JHJ100-40	Inner Packing
JHJ100-41	Lower Pressure Valve Plug
JHJ100-42	Set Screw

* NOTE: Repair kit includes parts 24A thru 24K.



	JHJ-100
Rated capacity	100 ton
Minimum height (in.)	12
Piston height (in.)	5-23/32
Head screw (h/in.)	--
Maximum height (in.)	17-11/16
Base size (LxW/in.)	14-31/32 x 10-7/16
Weight (lbs)	225

Part No. M-453399
 Revision G1 04/2014

JET
 a Division of JPW Industries, Inc.
 427 New Sanford Rd.
 LaVergne, Tennessee 37086
 Ph.: 800-274-6848
 www.jettools.com