



Operating Instructions and Parts Manual

3/4, 1-1/2, and 3 Ton Grip Pullers

Models JG-75A, JG-150A, JG-300A

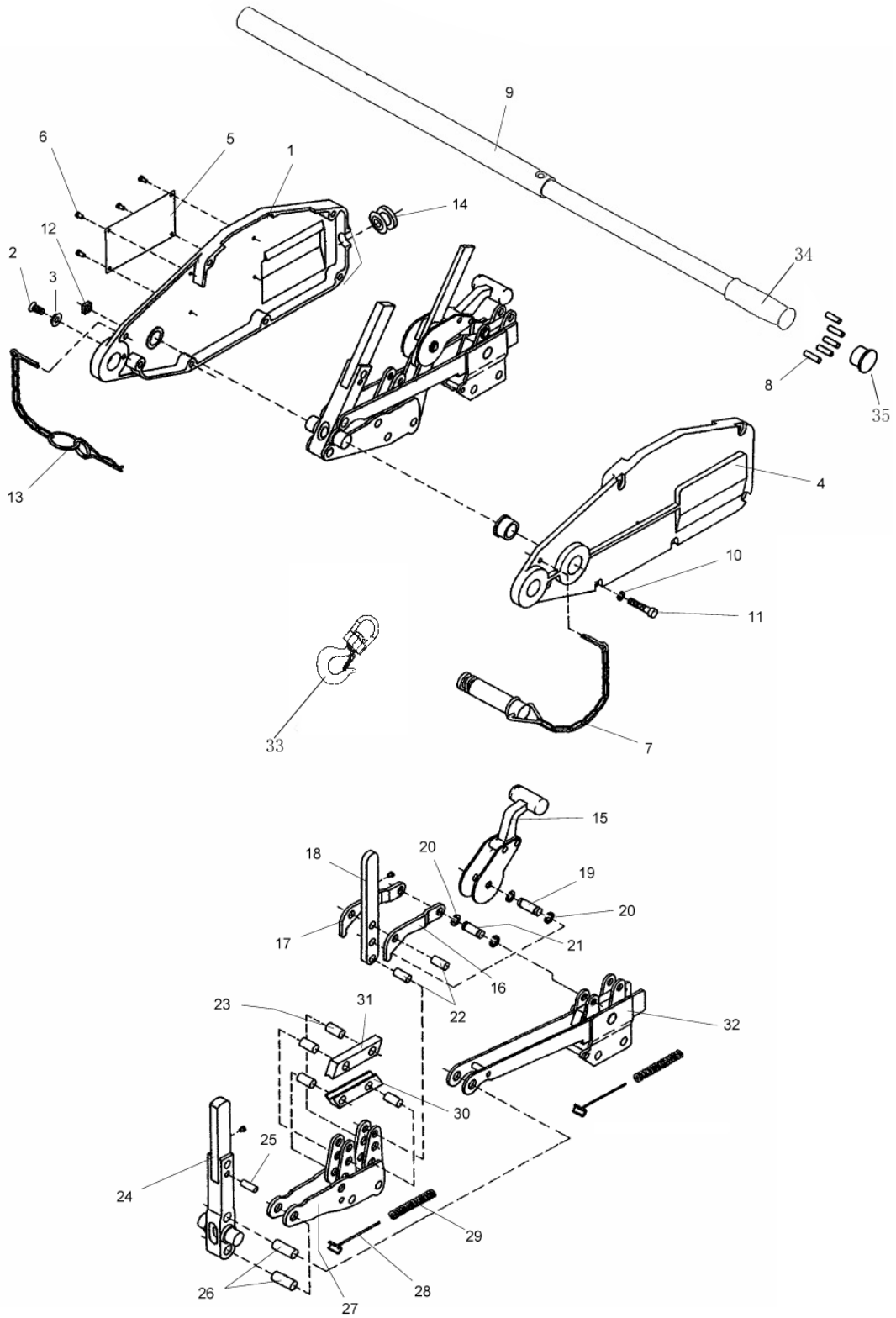


Model JG-75A shown

JET
427 New Sanford Road
LaVergne, Tennessee 37086
Ph.: 800-274-6848
www.jettools.com

Part No. M-286575
Revision A2 04/2014
Copyright © 2014 JET

JG-75A (3/4 Ton Grip Puller)



Parts List: JG-75A (3/4 Ton Grip Puller)

Index No.	Part No.	Description	Size	Qty
1	JG75A-1	Case, Right		1
2	TS-2285121	Flat Head Screw	M5x12	1
3	JG75A-3	Washer		1
4	JG75A-4	Case, Left		1
5	JG75A-5	Name Plate		1
6	JG75A-6	Rivet	M2x6	4
7	JG75A-7	Fastening Bolt Assembly		1
8	JG75A-8	Shear Pin		2
9	JG75A-9	Telescopic Handle		1
10	TS-1551041	Lock Washer	M6	6
11	TS-1503091	Socket Head Cap Screw	M6x40	6
12	JG75A-12	Square Nut	M6	6
13	JG75A-13	Cotter Pin Assembly		1
14	JG75A-14	Wire Rope Guide Sleeve		1
15	JG75A-15	Release Lever		1
16	JG75A-16	Push Link, Left		1
17	JG75A-17	Push Link, Right		1
18	JG75A-18	Reverse (Backwards Action) Lever		1
19	JG75A-19	Shaft		1
20	JG75A-20	Retaining Ring	Ø6	4
21	JG75A-21	Shaft		1
22	JG75A-22	Pin		2
23	JG75A-23	Thrust Pin		8
24	JG75A-24	Forward Action Lever Assembly		1
25	JG75A-8	Shear Pin		1
26	JG75A-26	Axle		2
27	JG75A-27	Front Slide Assembly		1
28	JG75A-28	Spring Guide		2
29	JG75A-29	Spring		2
30	JG75A-30	Bottom Clamp		2
31	JG75A-31	Top Clamp		2
32	JG75A-32	Back Slide Assembly		1
33	JG75A-33	Swivel Hook		1
34	JG75A-34	Rubber Handle Grip		1
35	JG75A-35	Cap		1
	JG75A-WL	Warning Label (not shown)		1
	286574	3/4T Wire Rope, 66 Ft. (not shown)		1



427 New Sanford Road
LaVergne, Tennessee 37086
Phone: 800-274-6848
www.jettools.com