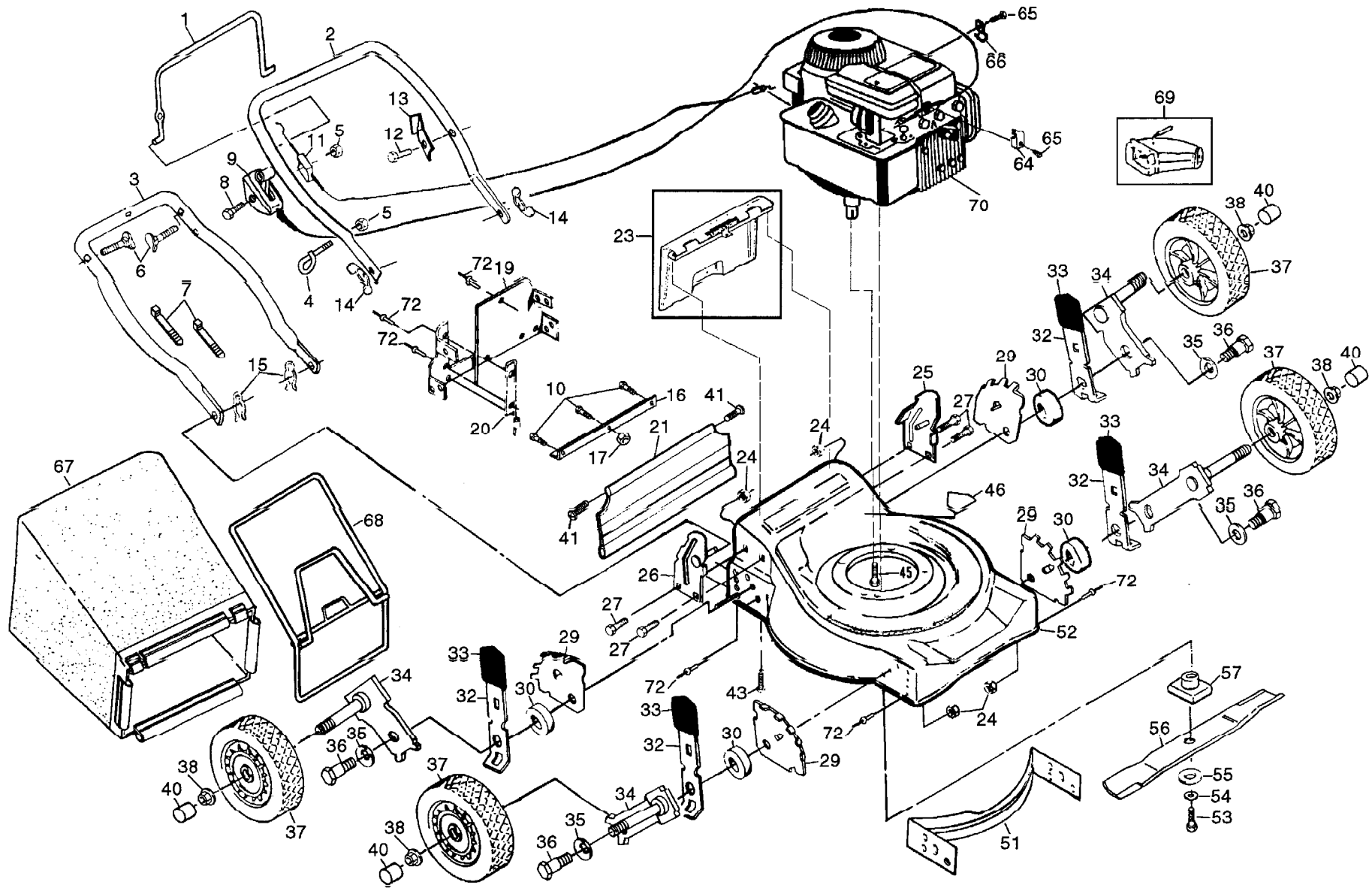


REPAIR PARTS

ROTARY LAWN MOWER - - MODEL NUMBER JET50R (JET50RJ) PRODUCT NO. 954 05 38-11



REPAIR PARTS

ROTARY LAWN MOWER - - MODEL NUMBER JET50R (JET50RJ) PRODUCT NO. 954 05 38-11

KEY NO.	PART NO.	DESCRIPTION	KEY NO.	PART NO.	DESCRIPTION
1	532 08 69-02	Control Bar	35	532 06 23-35	Belleville Washer
2	532 12 53-38	Upper Handle	36	532 15 16-11	Shoulder Bolt 3/8-16
3	532 15 30-31	Lower Handle	37	532 13 04-91	Wheel Assembly
4	532 13 20-01	Rope Guide	38	532 08 39-23	Flanged Locknut
5	532 06 36-01	Locknut 1/4-20	40	532 80 00-90	Hubcap
6	532 13 19-59	Handle Bolt	41	532 08 86-52	Hinge Screw
7	532 06 64-26	Wire Tie	43	532 05 45-83	Hex Tapping Screw 1/4-20 x 1/2
8	532 14 49-29	Hex Washer Head Screw 1/4-20 x 2-1/8	45	532 15 04-06	Hex Head Thread Rolling Screw 3/8-16 x 1
9	532 85 14-62	Throttle Control	46	532 14 54-94	Danger Decal
10	532 14 66-94	Screw	51	532 13 88-64	Front Baffle
11	532 13 08-61	Engine Zone Control Cable	52	532 15 20-05	Housing Assembly (Incl. Ref. #46, 51, 19, & 20)
12	532 75 00-97	Hex Washer Head Screw #10-24 x 1/2	53	532 85 10-84	Hex Head Screw 3/8-24 x 1-3/8 Grd.8
13	532 12 51-62	Up-Stop Bracket	54	532 85 02-63	Helical Lock Washer
14	532 12 86-38	Wing Nut	55	532 85 10-74	Hardened Washer
15	532 05 17-93	Hairpin Cotter	56	532 14 51-06	20" Blade
16	532 14 76-25	Foot Guard	57	532 85 09-77	Blade Adapter
17	873 51 04-00	Nut	64	532 21 31-46	* Cable Clamp (Engine)
19	532 14 87-84	Back Plate	65	532 08 38-16	Screw #10 x 5/8
20	532 13 88-66	Side Baffle	66	532 08 79-30	Cable Clip
21	532 14 06-57	Rear Skirt	67	532 14 68-96	Grass Bag
23	532 14 76-13	Rear Door Assembly Kit	68	532 08 86-14	Catcher Frame
24	532 05 41-78	Locknut 3/8-16	69	-----	MA36 Clipping Deflector (Not Incl. with Lawn Mower)
25	532 15 30-30	Handle Bracket Assembly (Left)	70	-----	* Engine - Briggs/Stratton Model No. 95902
26	532 15 30-29	Handle Bracket Assembly (Right)	72	532 12 84-15	Pop Rivet
27	532 15 00-78	Screw 5/16-18 x 3/4	--	532 80 01-97	Noise Level Decal
29	532 13 99-01	Wheel Adjusting Bracket	--	532 13 71-86	Housing Decal (Front)
30	532 14 66-30	Spacer	--	532 14 54-95	Decal Warning (Var. 01)
32	532 14 17-30	Selector Spring	--	532 15 20-03	Replacement Parts Manual
33	532 08 78-77	Selector Knob	--	532 14 68-53	Operator's Manual (Scan)
34	532 14 98-57	Axle Arm Assembly	--	532 14 68-54	Operator's Manual (Euro)
			--	532 80 10-36	Danish Importer Decal

*These parts must be purchased through an authorized Briggs and Stratton dealer.