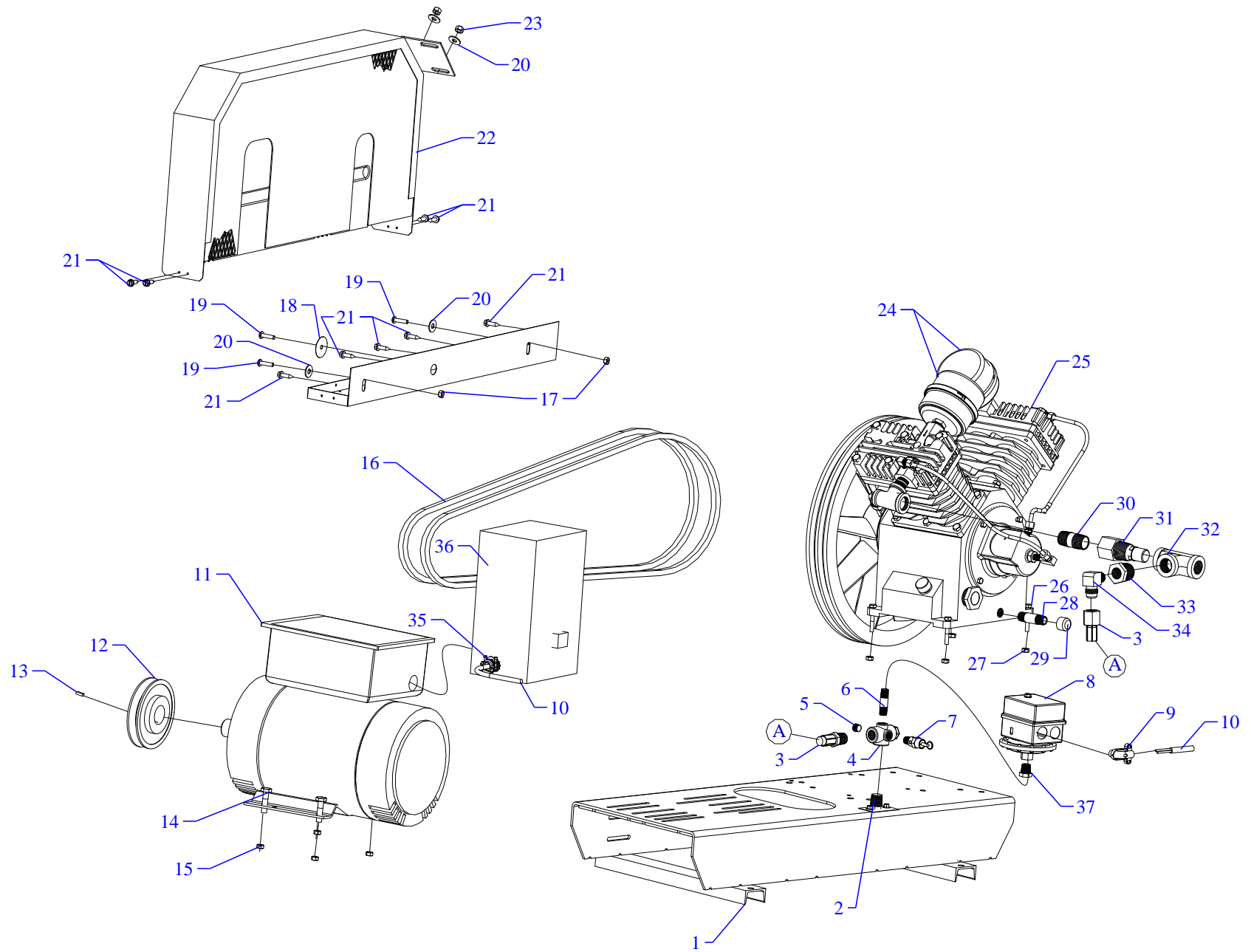


# MODEL : J5S - BS - WITH OPTIONAL ACGJ



## Parts List for Model J5S-BS ACGJ Single Phase

NOTE: The quantity number indicates the total number of pieces required for a complete unit repair.  
When ordering parts give compressor model, serial number and part number. Order assemblies when possible.

<u>REF. NO.</u>	<u>PART NO.</u>	<u>DESCRIPTION</u>	<u>QTY.</u>
1	320-1040	BASE PLATE 32 X 12	1
2	120-1243	SCREW,FLANGE,HEX,SERR,ST,PL,1/4-20X 1/2	2
3	360-1397	AFTERCOOLER,HOSE,SS,TEFLON,5/8"ODX12-1/2	1
4	220-1121	BLOCK,MANIFOLD,ZINC,5 HOLE,TAPPED,MC-5	1
5	122-1045	PLUG,SOCKET,HEX,ST,PLTD,1/4" NPT	1
6	122-1029	NIPPLE,CLOSE,STEEL,SCH 40,PLATED,1/4"	1
7	141-1018	VALVE,SAFETY,ASME,1/4",65 PSI,SVU65	1
8	140-1078	SWITCH,PSI,2HP,30-40#,PA	1
9	123-1032	CONNECTOR,CABLE,BX,90 DEG,3/8"	1
10	123-1003	WIRE,ASSY,BX,14/2,WITH GROUND	2FT
11	130-1089	MOTOR,5HP,230/60/1,1735RPM,ODP, TOP BOX	1
12	154-1187	PULLEY,CI,DG,SK,8.0PDB,2B80SK	1
13	120-1194	KEY,STEEL,BLACK,1/4X1/4X1-1/2	1
14	120-1018	SCREW,FLANGE,HEX,SERR,ST,PLD,5/16-18X3/4	4
15	120-1119	NUT,LOCK,FLANGE,HEX,SERR,ST,PLTD,5/16-18	4
16	154-4L730	BELT,VEE,A63,4L-730	2
17	120-1116	NUT,LOCK,FLANGE,HEX,SERR,ST,PLTD,1/4-20	2
18	120-1072	WASHER,FENDER,ST,PLATED,1/4"X1-1/2"OD	1
19	120-1267	SCREW,PAN HD,PHIL,STEEL,PLTD,1/4-20 X 1"	3
20	120-1075	WASHER,FLAT,STEEL,PLATED,5/16"	4
21	120-1177	SCREW,SELF DRILL,HEX,ST,PL,12 X 3/4	9
22	320-1181	BELTGUARD,J&W,W/PAN,4.13WX18.0HX32.25LG	1
23	120-1119	NUT,LOCK,FLANGE,HEX,SERR,ST,PLTD,5/16-18	2

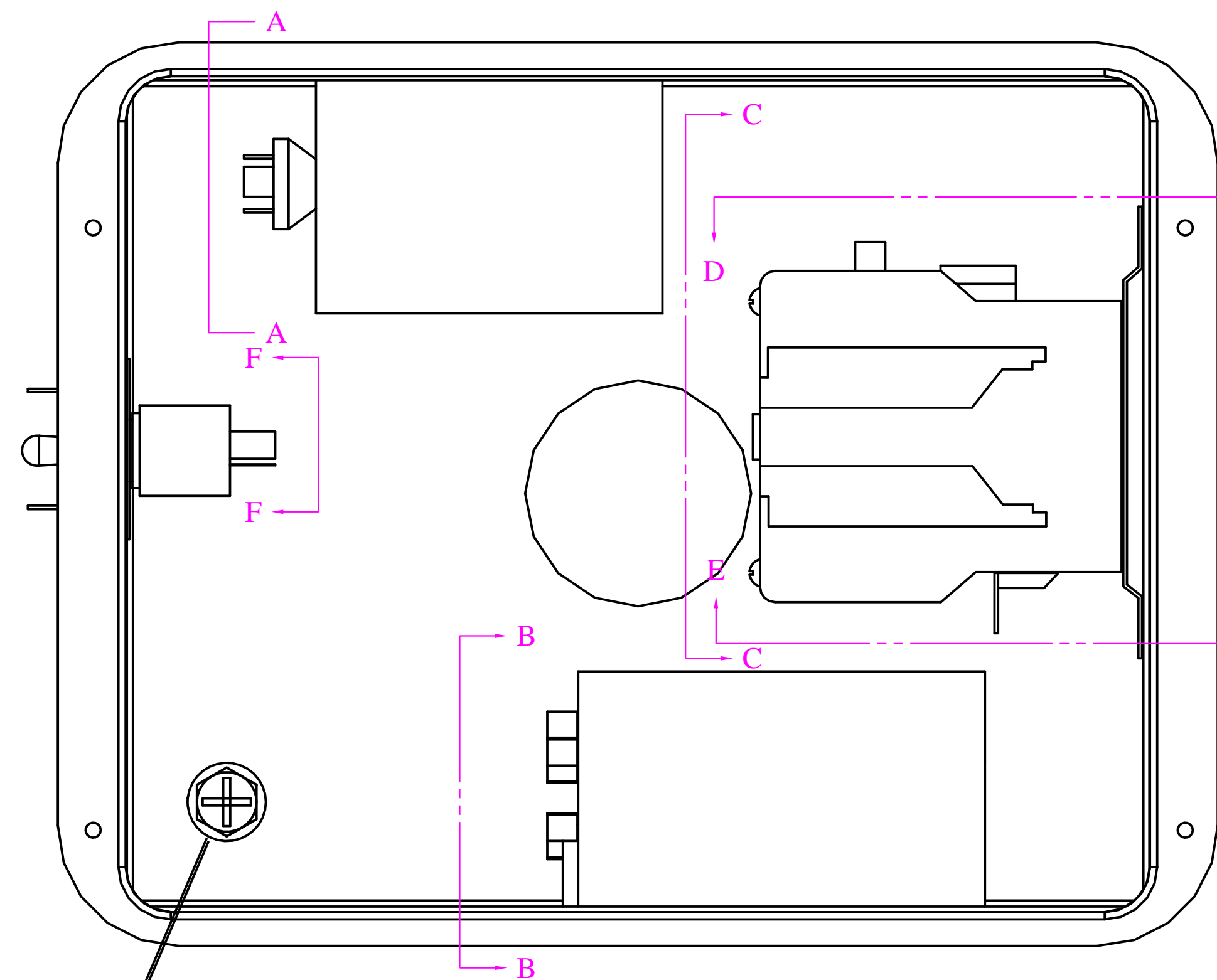
## Parts List for Model J5S-BS ACGJ Single Phase

NOTE: The quantity number indicates the total number of pieces required for a complete unit repair.

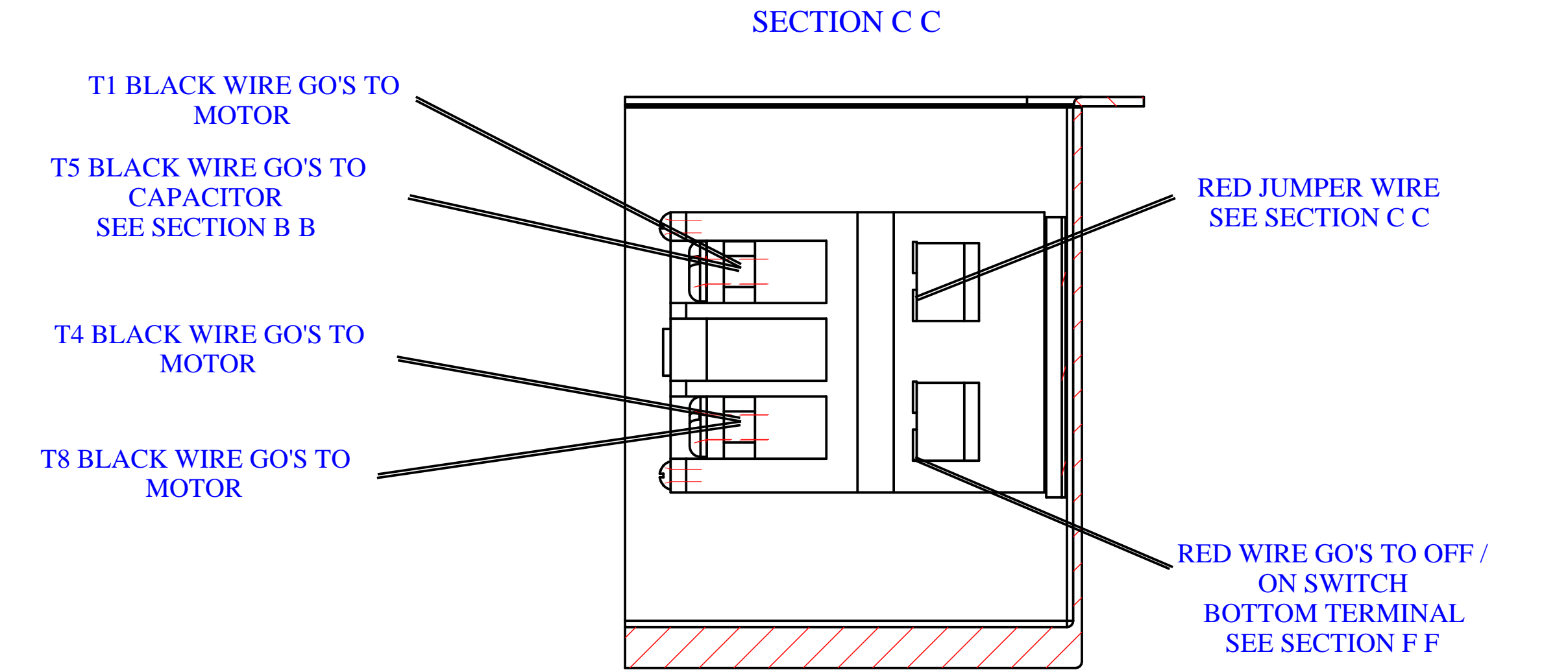
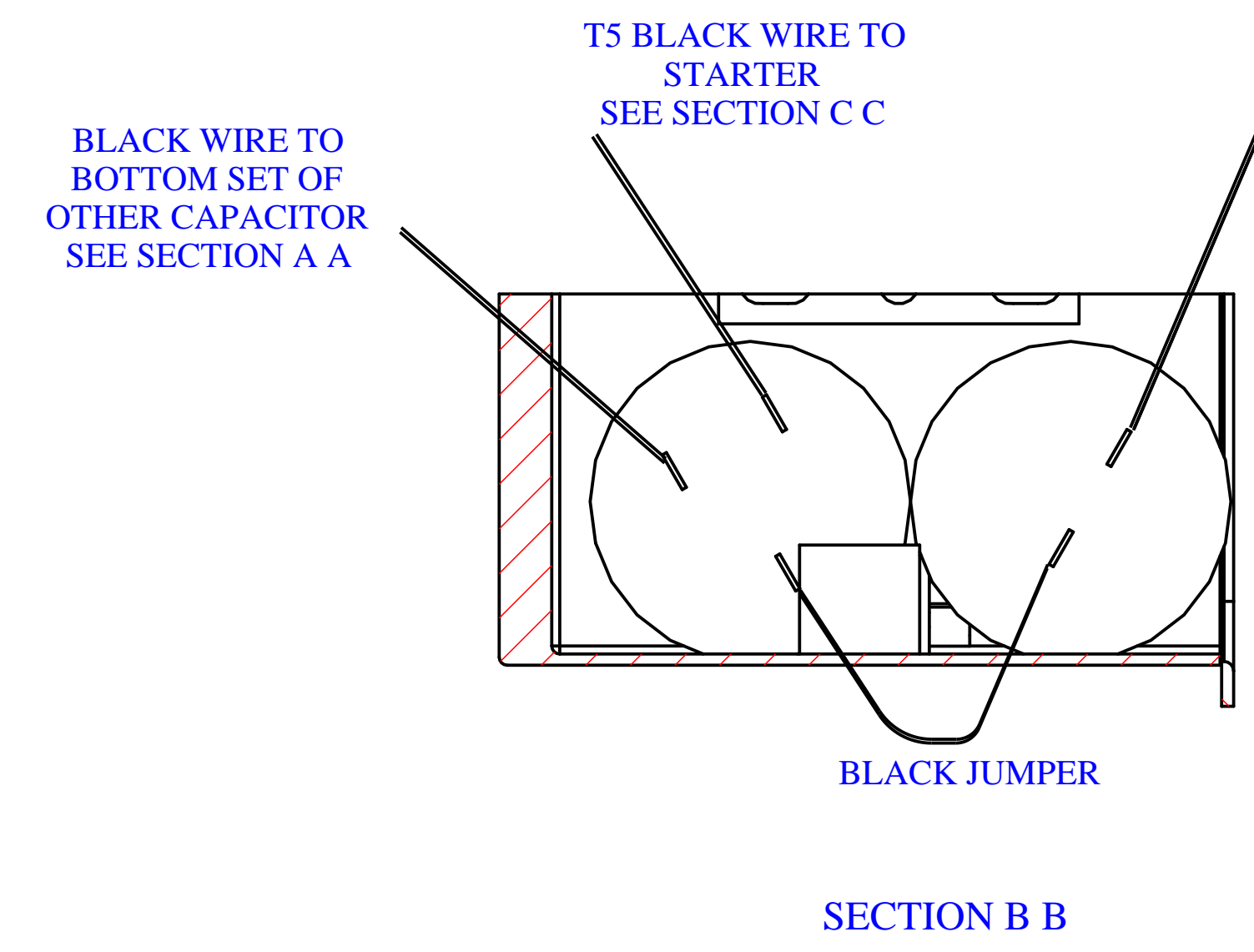
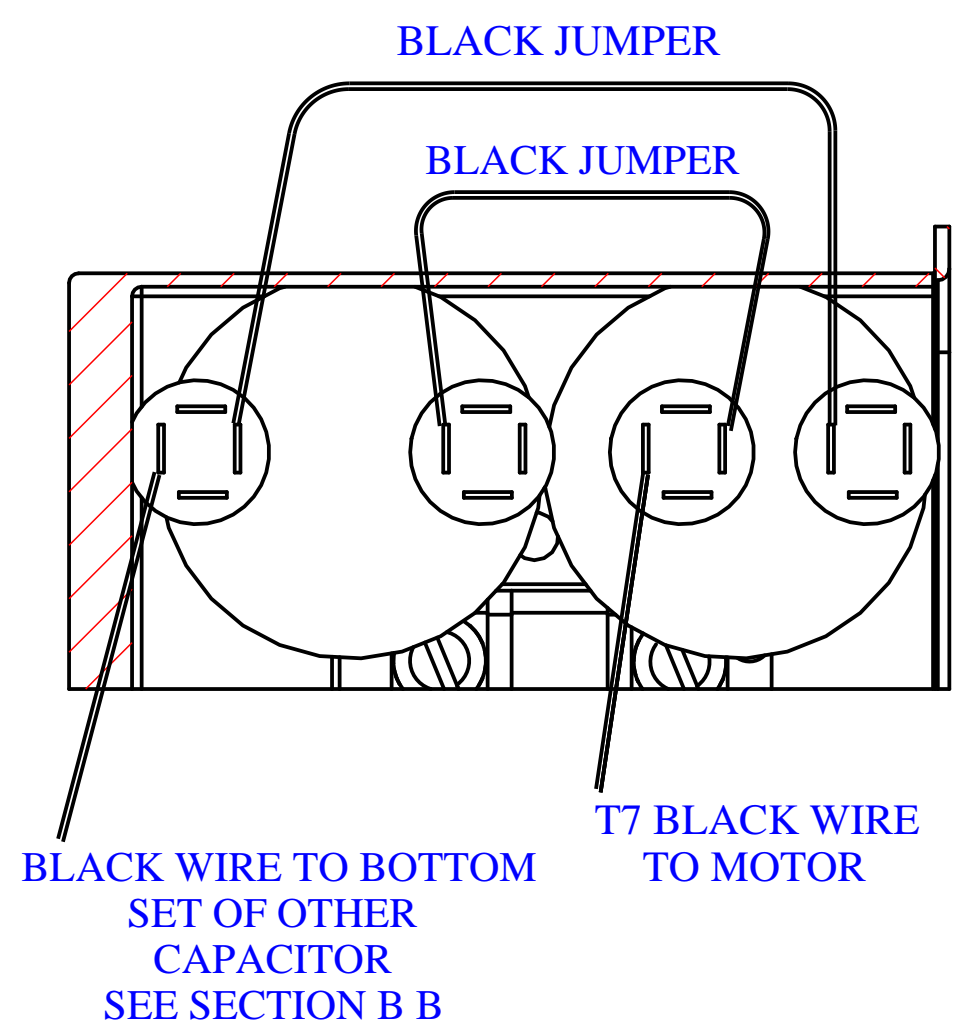
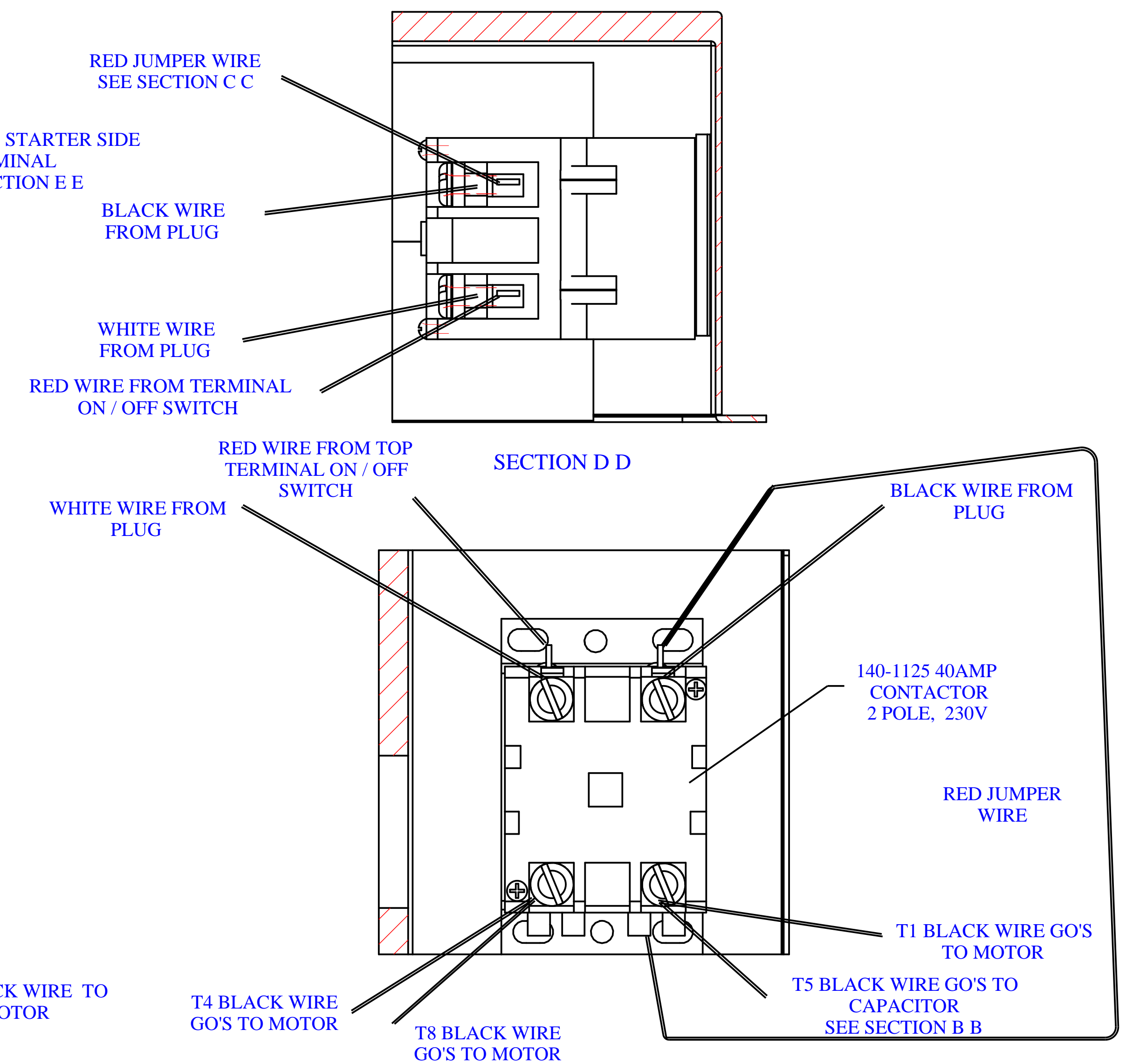
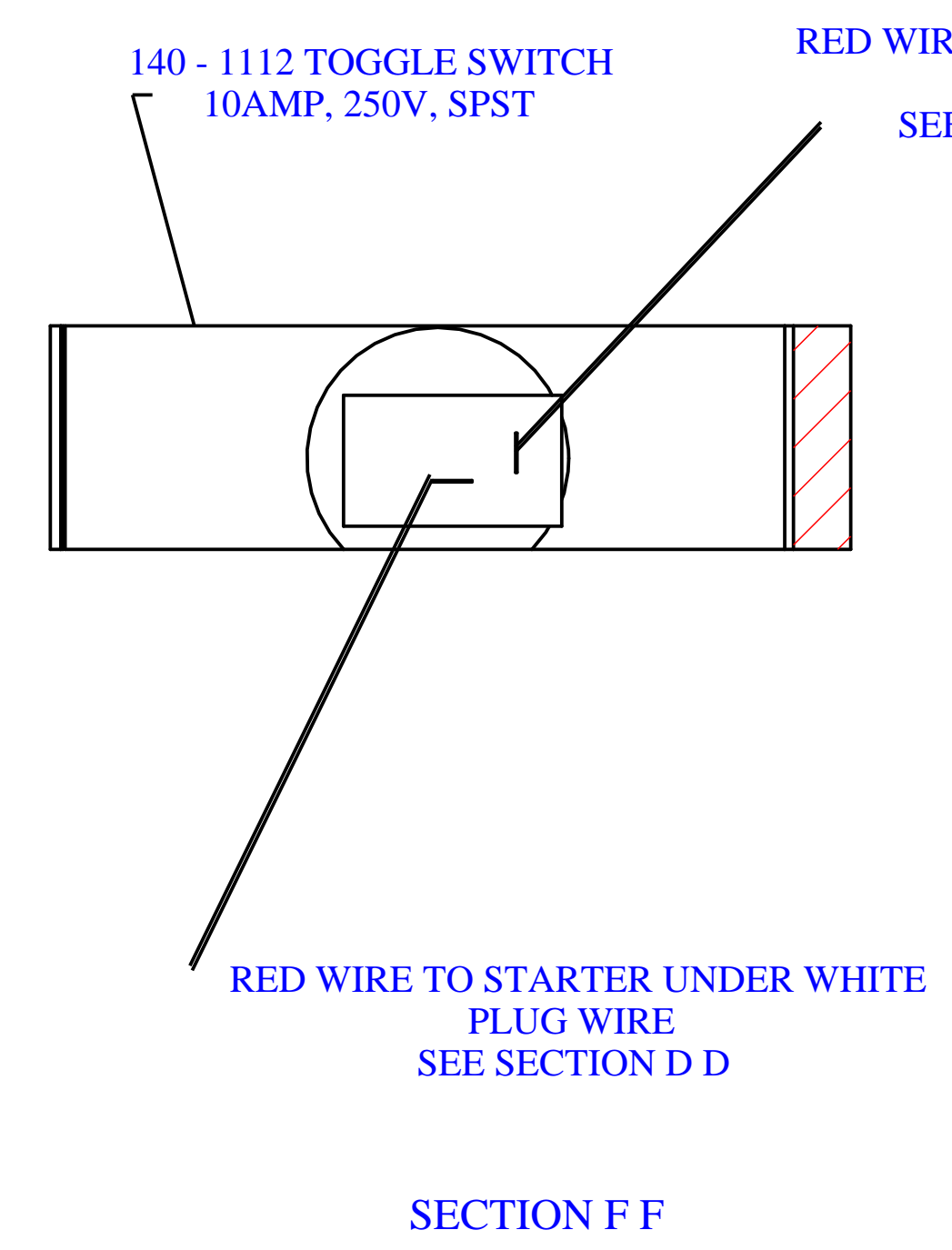
When ordering parts give compressor model, serial number and part number. Order assemblies when possible.

<u>REF. NO.</u>	<u>PART NO.</u>	<u>DESCRIPTION</u>	<u>QTY.</u>
24	320-1121	FILTER,W/DECALS,ASSY,G154S	2
25	421-1551	PUMP,CMPRSR,PISTON,REPLCMT,BLUE,J	1
26	120-1009	SCREW,CAP,HEXHD,GR5,ST,PLTD,1/4-20X1-1/4	4
27	120-1116	NUT,LOCK,FLANGE,HEX,SERR,ST,PLTD,1/4-20	4
28	122-1039	NIPPLE,STEEL,SCH 40,3/8" X 5" L	1
29	122-1084	CAP,FEMALE,MI,3/8"NPT	1
30	122-1095	NIPPLE,CLOSE,STEEL,SCH 40,PLATED,3/4"	1
31	141-1037	VALVE,CHECK,INSERT,1"M X 3/4", 134	1
32	122-1062	TEE,FEMALE,MI,PLATED,1"NPTF	1
33	122-1072	BUSHING,REDUCER,HEX,ST,PLTD,1" X 1/2"NPT	1
34	121-1015	ELBOW,MALE,BRASS,5/8-45SAEX1/2"NPTM	1
35	123-1030	CONNECTOR,ROMEX,CLAMP,STRAIGHT,3/4"	1
NOT SHOWN	610-1225	KIT,ELEMENT,FILTER,G54E,PKG OF 4,G54EP	1
NOT SHOWN	105-1209	OIL,PUMP,SYNTHETIC,BLUE,1 QUART,ESQ	1

# WIRING DIAGRAM 5HP MOTOR BOX



GREEN GROUND WIRE FROM PLUG



ALL INTERNAL PARTS MUST BE SUPPLIED BY MOTOR MANUFACTURER

SECTION E E



## Parts List for Model J & JU

NOTE: The quantity number indicates the total number of pieces required for a complete pump repair.  
When ordering parts give compressor model, serial number and part number. Order assemblies when possible.

<u>REF. NO.</u>	<u>PART NO.</u>	<u>DESCRIPTION</u>	<u>QTY.</u>
1	120-1166	PIN,FLYWHEEL, STL, 5/16 ODX 1-1/4 L, W25	1 EA
2	220-1094	FLYWHEEL,W PUMP,CI,16"DIA,2 GROOVE,W23A	1 EA
3	150-1038	SEAL,OIL,LIP,SINGLE,1.575 DIA,W11	1 EA
4	610-1029	PLUG,CRANKCASE,FILL,OIL,W/O-RING,K14	2 EA
5	104-1016	RING,O,BUNA-N,5/8"IDX13/16"ODX3/32"THK	2 EA
6	220-1036	CRANKCASE,W PUMP,CI,MACHINED,W1	1 EA
7	360-1114	SIGHT GLASS 1" INSTALLED LOW	1 EA
8	122-1084	CAP,FEMALE,MI,3/8"NPT	1 EA
9	122-1037	NIPPLE,STEEL,SCH 40,3/8" X 2" L	1 EA
10	150-1031	BEARING,BALL,W9	1 EA
11	220-1038	CRANKSHAFT,W PUMP,CI,MACHINED,W20	1 EA
12	150-1032	BEARING,BALL,W10	1 EA
13	104-1014	GASKET,CAP,BEARING,W PUMP,1/32THK,W3	1 EA
14	150-1081	COIL SPRING C/U UNLOADER ZN	1 EA
15	220-1049	TUBE,OPERATING,CENTRIFICAL UNLOADER,EQ71	1 EA
16	610-1066	PIN,PIVOT,UNLDR,CNTRFCL,W/CTTR PIN,EQ73	1 EA
17	120-1169	PIN,COTTER,ST,BLACK,1\16DIAx1\2LG,EQ73B	1 EA
18	610-1167	UNLOADER,CENTRIFUGAL,WEIGHT,SET,EQ70	1 EA
19	220-1037	CAP,BEARING,W PUMP,CI,MACHINED,W2	1 EA
20	120-1002	SCREW,CAP,HEXHD,GR5,ST,BLK,1/4-20X5/8 ( 15 FT - LB. )	4 EA
21	220-1050	PIN,UNLOADER,CENTRIFICAL,EQ74D	1 EA
22	120-1171	NUT,HEX,JAM,STEEL,PLATED,7/16-20,EQ74C	1 EA
23	120-1170	VALVE,CORE,EQ74A	1 EA

## Parts List for Model J & JU

NOTE: The quantity number indicates the total number of pieces required for a complete pump repair.  
When ordering parts give compressor model, serial number and part number. Order assemblies when possible.

<u>REF. NO.</u>	<u>PART NO.</u>	<u>DESCRIPTION</u>	<u>QTY.</u>
24	150-1035	BODY,UNLOADER,EQ74B	1 EA
25	121-1025	CONNECTOR,MALE,COMPRESSION,BR,1/4TBX1/8"	2 EA
26	220-1005	PISTON,PUMP,ALUMINUM,MACHINED,K32	4 EA
27	104-1103	BUMPER,WRIST PIN,PLASTIC,K36A	8 EA
28	610-1065	KIT,RING,OIL,W/EXPANDER,ASSY,K34	4 EA
29	150-1003	RING,COMPRESSION,PISTON,STEEL,EBA 22,K33 ( CHAMFER / PIP MARK ON TOP SIDE )	8 EA
30	150-1005	PIN,PISTON,STEEL,HARDENED,K35	4 EA
31	310-1007	ROD,CONNECTING,PUMP,ALUM,MACHINED,W21	4 EA
32	220-1016	HEAD,UNLOADING,G PUMP,CI,6HOLES,LU80	1 EA
33	121-1032	ELBOW,MALE,COMPRESSION,BR,1/4TBX1/8"NPTM	3 EA
34	610-1134	TUBE,BREATHER,COPPER,BENT,J&W PUMP,W18	1 EA
35	610-1119	TUBING,HEAD TO HEAD,J PUMP,CU,5/8",J59	1 EA
36	121-1015	ELBOW,MALE,BRASS,5/8-45SAEX1/2"NPTM	1 EA
37	150-1020	SPRING,VALVE,UNLOADER,INTAKE, KU83	4 EA
38	104-1020	RING,O,SILICON,7/16"IDX5/8"ODX3/32"THK	4 EA
39	150-1028	PISTON,UNLOADER,VALVE,CHECK,BRASS,KU81	4 EA
40	104-1015	RING,O,BUNA-N,1/2"IDX11/16"ODX3/32"THK	4 EA
41	122-1051	PLUG,HEX ,BRASS,11/16-16 UN-2B X .550	4 EA
42	120-1252	BOLT,STUD,HEX,ST,5/16-18X2-1/4X5/8,K52-1(22FT-LB)	2 EA
43	120-1028	SCREW,CAP,HEXHD,GR5,ST,BLK,5/16-18X2-1/4(22FT-LB)	10 EA
44	310-1004	HEAD,START/STOP,G PUMP,REPLACEMNT,L50 ( LEFT HEAD )	1 EA
45	104-1008	GASKET,HEAD,K&G&W PUMP,1/32THK,L51	2 EA

## Parts List for Model J & JU

NOTE: The quantity number indicates the total number of pieces required for a complete pump repair.  
When ordering parts give compressor model, serial number and part number. Order assemblies when possible.

<u>REF. NO.</u>	<u>PART NO.</u>	<u>DESCRIPTION</u>	<u>QTY.</u>
46	150-1041	RETAINER,VALVE,STEEL,PAS,0.062"THK,K43	8 EA
47	109-1010	VALVE,CHECK,BUMPER,STEEL,K44	8 EA
48	150-1018	SPRING,CONE,SS,VALVE,DISCHARGE,K46	4 EA
49	109-1011	VALVE,DISC,STEEL,K47	8 EA
50	610-1396	PLATE,VALVE,L PUMP,CI,PAINTED,BLUE,L40	2 EA
51	150-1017	SPRING,CONE,SS,VALVE,INTAKE,K45	4 EA
52	104-1007	GASKET,PLATE,VALVE,K&G&W PUMP,1/32TK,L41	2 EA
53	360-1152	CYLINDER W30 REPLACEMENT BLUE W30	2 EA
54	120-1017	SCREW,CAP,HEXHD,GR5,ST,BLK,5/16-18X3/4 ( 15 FT - I	12 EA
55	104-1006	GASKET,CYLINDER,K&G&W PUMP,1/32THK,K31	2 EA
56	310-1034	HEAD,START/STOP,J PUMP,J50 ( RIGHT HEAD )	1 EA
57	610-1138	TUBE,UNLOADER,CENTRIFUGAL,J PUMP,CU,J78	1 EA
58	320-1121	FILTER,W/DECALS,ASSY,G154S	2 EA
59	150-1104	ELEMENT,FILTER,AIR,(92 EMGLO),G54E	2 EA
60	610-1067	MANIFOLD,PIPE,OUTLET,J PUMP,ASSY,J57	1 EA
61	610-1119	TUBING,HEAD TO HEAD,J PUMP,CU,5/8",J59	1 EA
62	121-1039	TEE,BRANCH,BRASS,1/4"TBX1/4"TBX1/8"NPTM	1 EA
63	610-1136	TUBING,UNLOADER,HEAD-HEAD,W PUMP,WU88	1 EA
64	220-1078	HEAD,UNLOADING,J PUMP,CI,MACHINED,JU80	1 EA
<b>ASSEMBLIES</b>			
65	610-1068	KIT,GASKET,J PUMP,ASSY,J100 SET INCLUDES 13, (2) 45, (2) 52, (2) 55	1 EA
66	610-1126	KIT,BASIC,REPAIR,J PUMP,J101 65 (2), 68 (4), 70(4), 71(4), 150-1010 FILTER ELEMENT	1 EA



## Parts List for Model J & JU

NOTE: The quantity number indicates the total number of pieces required for a complete pump repair.  
When ordering parts give compressor model, serial number and part number. Order assemblies when possible.

<u>REF. NO.</u>	<u>PART NO.</u>	<u>DESCRIPTION</u>	<u>QTY.</u>
67	610-1028	PISTON,W/RINGS&PIN,ASSY,K132	3 EA
68	610-1020	KIT,PUMP,RING,PISTON,F&K&G&W PUMP,K133	2 EA
69	610-1127	KIT,BASIC,REPAIR,JU PUMP,JU101 SAME AS 66 w / (4) 78	1 EA
70	610-1031	VALVE,CHECK,SUCTION,ASSY,K145	4 EA
71	610-1032	VALVE,CHECK,DISCHARGE,ASSY,K146	4 EA
72	610-1053	WEIGHT,UNLOADER,CENTRIFICAL,W/GSKT,W170 ASSY, W / GASKET,INCLUDES 13,14,15,16,18	1 EA
73	310-1016	VALVE,UNLOADER,CENTRIFICAL,ASSY,EQ174 ASSY. INCLUDES 21, 22, 23, 24, 25	1 EA
74	610-1054	UNLOADER,CENTRIFICAL,W/B CAP,ASSY,W175 ASSY. W / BEARING CAP, TUBING AND GASKET	1 EA
75	310-1008	HEAD,UNLOADING,K&G,W/1/2"PRT 6 HLE,LU180 COMPLETE W / UNLOADERS ( RIGHT HEAD )	1 EA
76	610-1045	PLATE,VALVE,W/VALVES,ASSY,L140 INSTALLED W / 45, 52 GASKET	1 EA
77*	610-1042	VALVE,UNLOADER,HEAD,PUMP,ASSY 150-1042 (2pcs) 120-1167 (2pcs) must be ordered extra	4 EA
77**	610-1042	VALVE,UNLOADER,HEAD,PUMP,ASSY,KU181 INCLUDES 37, 38, 39, 40 41	4 EA
78	310-1035	HEAD,UNLOADING,J PUMP,JU180 ( LEFT HEAD )	1 EA

77\* for units built before serial #D103105001

77\*\* for units built after serial #D110105001