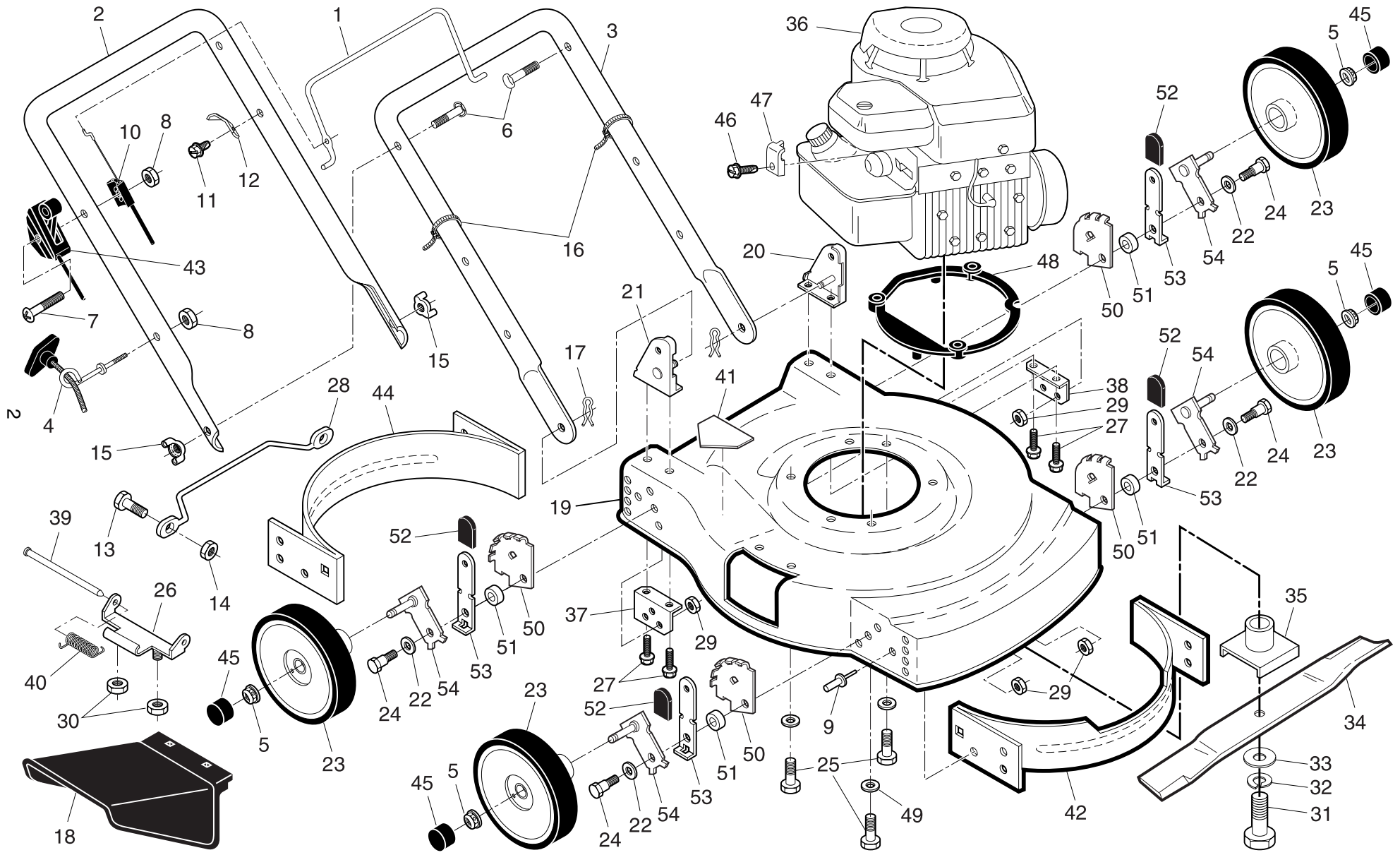


# ROTARY LAWN MOWER - - MODEL NUMBER J50 (JET50S) - PRODUCT NUMBER 954 17 02-20



# ROTARY LAWN MOWER - - MODEL NUMBER J50 (JET50S) - PRODUCT NUMBER 954 17 02-20

KEY NO.	PART NO.	DESCRIPTION
1	532 13 16-96	Control Bar
2	532 16 87-30	Upper Handle
3	532 15 34-06	Lower Handle
4	532 17 95-85	Rope Guide
5	532 08 39-23	Locknut
6	532 13 19-59	Handle Bolt 5/16-18 x 1-3/4
7	532 18 33-65	Hex Washer Head Screw 1/4-20 x 2.12
8	532 13 20-04	Locknut, Hex 1/4-20
9	532 12 84-15	Pop Rivet
10	532 13 08-61	Engine Zone Control Cable
11	532 75 06-34	Hex Washer Head Screw #10-24 x 1/2
12	532 12 51-62	Up-Stop Bracket
13	532 08 58-25	Screw
14	532 06 91-80	Nut, Hex
15	532 12 86-38	Steel Wing Nut 5/16-18
16	532 06 64-26	Wire Tie
17	532 05 17-93	Hairpin Cotter
18	532 75 01-49	Discharge Guard
19	532 18 08-61	Kit, Housing Assembly (Includes Key #42)
20	532 17 09-77	Handle Bracket Assembly, LH
21	532 17 09-75	Handle Bracket Assembly, RH
22	532 06 23-35	Belleville Washer
23	532 80 00-60	Wheel & Tire Assembly
24	532 14 27-48	Shoulder Bolt
25	532 85 09-99	Hex Head Thread Rolling Screw 3/8-16 x 2
26	532 08 75-93	Mounting Bracket, Discharge Guard
27	532 14 97-41	Thread Cutting Screw 5/16-18 x 3/4
28	532 15 41-47	Foot Guard
29	532 75 15-92	Locknut 3/8-16
30	873 80 04-00	Nut, Hex 1/4-20

KEY NO.	PART NO.	DESCRIPTION
31	532 85 10-84	Hex Head Screw 3/8-24 x 1-3/8 Grade 8
32	532 85 02-63	Helical Lockwasher 3/8
33	532 85 10-74	Hardened Washer
34	532 85 09-72	20" Blade
35	532 85 09-77	Blade Adapter
36	- - -	Engine, Briggs & Stratton, Model Number 9D902 (Order parts from engine manufacturer)
37	532 19 11-96	Handle Support Bracket, RH
38	532 19 11-97	Handle Support Bracket, LH
39	532 14 72-86	Hinge Rod
40	532 08 75-89	Torsion Spring
41	532 18 21-66	Decal, Danger
42	532 14 60-26	Front Baffle
43	532 70 04-17	Throttle Control
44	532 12 50-46	Rear Baffle
45	532 80 00-90	Hubcap
46	532 08 38-16	Screw #10
47	532 11 11-90	Clamp (Order from engine manufacturer)
48	532 70 13-13	Engine Spacer Ring
49	532 05 39-98	Washer
50	532 13 99-01	Wheel Adjusting Bracket
51	532 14 66-30	Spacer
52	532 08 78-77	Selector Knob
53	532 14 17-30	Selector Spring
54	532 14 98-57	Axle Arm Assembly
--	532 19 06-58	Operator's Manual, European
--	532 19 06-59	Operator's Manual, Sandinavian

**NOTE:** All component dimensions given in U.S. inches.  
1 inch = 25.4 mm