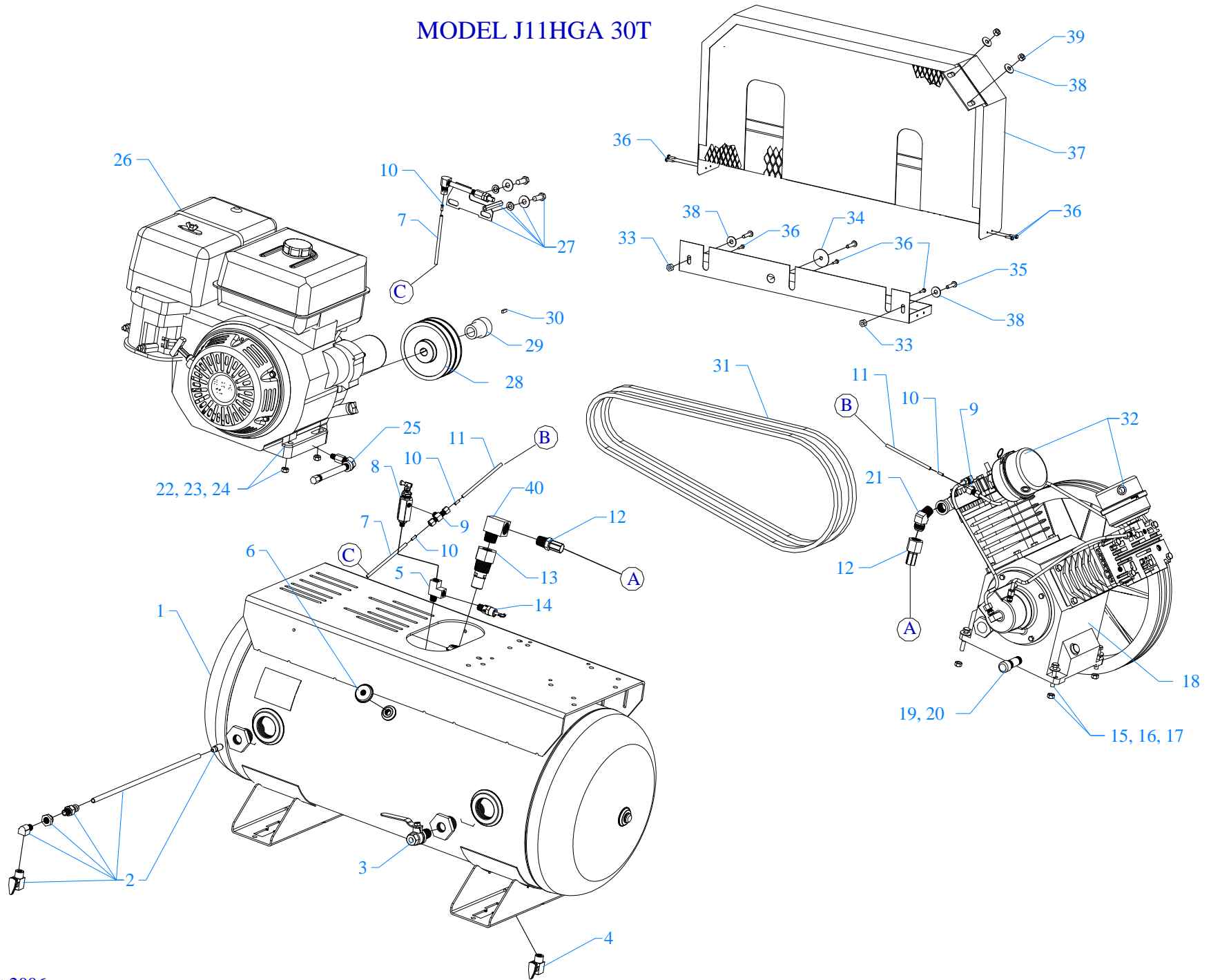


MODEL J11HGA 30T



Parts List for Model J11HGA-30T

NOTE: The quantity number indicates the total number of pieces required for a complete unit repair.
When ordering parts give compressor model, serial number and part number. Order assemblies when possible.

<u>REF. NO.</u>	<u>PART NO.</u>	<u>DESCRIPTION</u>	<u>QTY.</u>
1	411-1159	TANK,HRZNTL,30G,UM,G&GC>&J&W	1
2	360-1086	BUCKET HIGH TANK DRAIN ASSY.	1
3	141-1078	VALVE,BALL,OUTLET,1/4 TURN,1/2"M X 1/2"F	1
4	141-1077	VALVE,BALL,LEVER,1/4 TURN,1/4"M X 1/4"F	1
5	121-1189	TEE,STREET,BRASS,1/4"NPT	1
6	142-1003	GAUGE,PSI,200#,BK MT,JENNY,1.5,1/4",PG14	1
7	610-1087	TUBE,CONTROL,NYLON,W/SLEEVE,1/4"X33"LG	1
8	141-1047	VALVE,PILOT,W/HAND UNLDR,125PSI,1/4"M	1
9	121-1039	TEE,BRANCH,BRASS,1/4"TBX1/4"TBX1/8"NPTM	1
10	121-1048	INSERT,TUBING,BRASS,1/4"OD NYLON	4
11	610-1092	TUBE,CONTROL,NYLON,W/SLEEVE,1/4"X14"LG	1
12	360-1401	AFTERCOOLER,HOSE,SS,TEFLON,3/4"ODX12"L	1
13	141-1037	VALVE,CHECK,INSERT,1"M X 3/4", 134	1
14	141-1014	VALVE,SAFETY,ASME,1/4",165 PSI	1
15	120-1009	SCREW,CAP,HEXHD,GR5,ST,PLTD,1/4-20X1-1/4	4
16	120-1071	WASHER,FLAT,STEEL,PLATED,USS,1/4"	4
17	120-1116	NUT,LOCK,FLANGE,HEX,SERR,ST,PLTD,1/4-20	4
18	421-1552	PUMP,CMPRSR,PISTON,REPLCMT,BLUE,JU	1
19	122-1039	NIPPLE,STEEL,SCH 40,3/8" X 5" L	1
20	122-1084	CAP,FEMALE,MI,3/8"NPT	1
21	121-1018	ELBOW,MALE,BRASS,3/4-45SAEX3/4"NPTM	1
22	120-1018	SCREW,FLANGE,HEX,SERR,ST,PLD,5/16-18X3/4	4
23	120-1075	WASHER,FLAT,STEEL,PLATED,5/16"	4

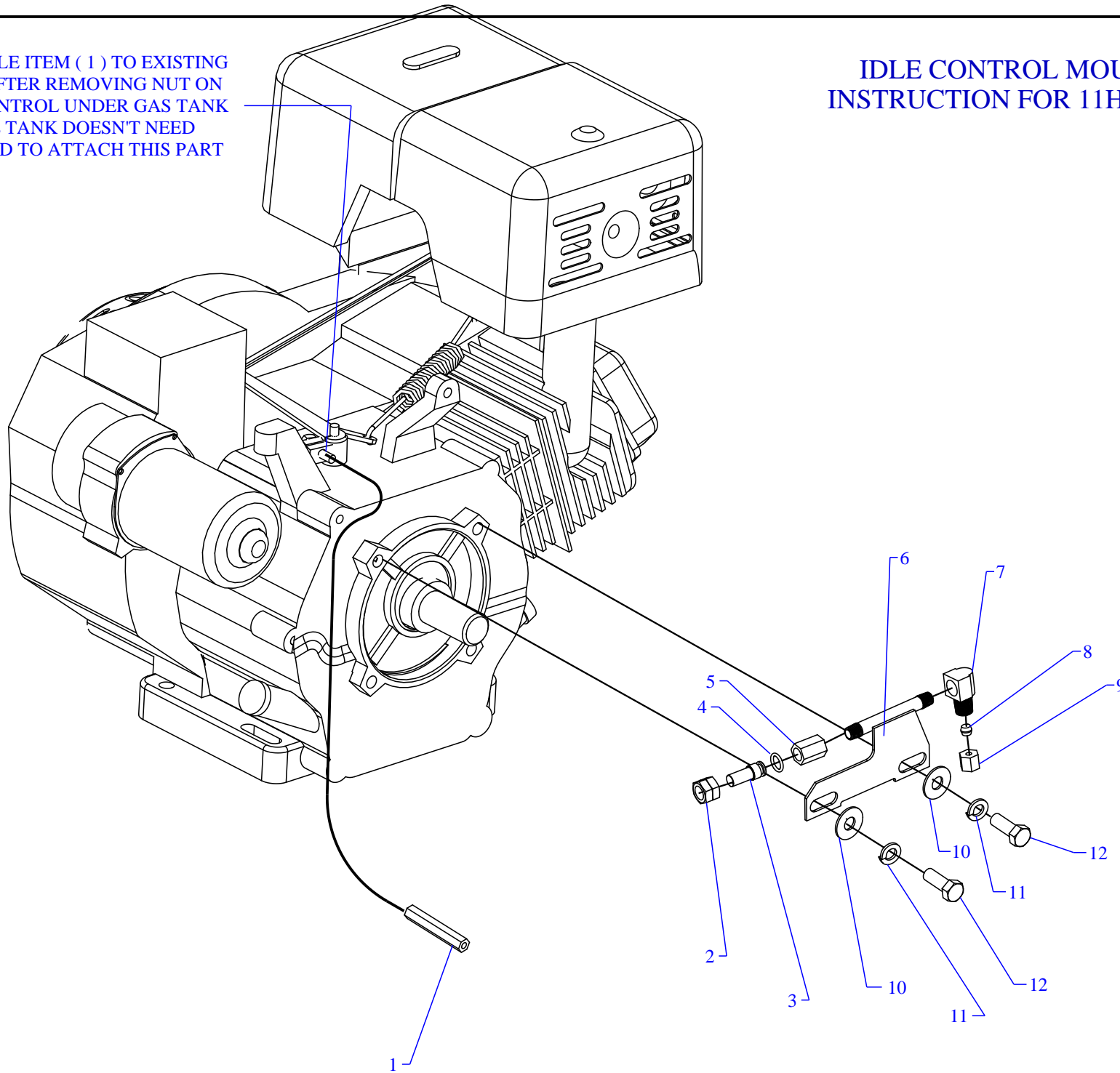
Parts List for Model J11HGA-30T

NOTE: The quantity number indicates the total number of pieces required for a complete unit repair.
When ordering parts give compressor model, serial number and part number. Order assemblies when possible.

<u>REF. NO.</u>	<u>PART NO.</u>	<u>DESCRIPTION</u>	<u>QTY.</u>
24	120-1119	NUT,LOCK,FLANGE,HEX,SERR,ST,PLTD,5/16-18	4
25	610-1408	DRAIN,ENGINE,HONDA,8-13HP,ASSY	1
26	131-1023	ENGINE,GAS,HONDA,11 HP,E/S,GX340K1QAE2	1
27	321-1082	IDLE CNTRL 11HP HONDA ASSY	1
28	154-1222	PULLEY,CI,DG,TH,4.0PDA,2AK44H	1
29	154-1092	BUSHING,PULLEY,TAPERED,H,1	1
30	120-1109	KEY,STEEL,BLACK,5/16X5/16X 1-1/2" LENGTH	1
31	154-4L700	BELT,VEE,A63,4L-700	2
32	320-1121	FILTER,AIR,2PC,W/SILENCER&FILTER,G154	2
33	120-1116	NUT,LOCK,FLANGE,HEX,SERR,ST,PLTD,1/4-20	2
34	120-1072	WASHER,FENDER,ST,PLATED,1/4"X1-1/2"OD	1
35	120-1267	SCREW,PAN HD,PHIL,STEEL,PLTD,1/4-20 X 1"	3
36	120-1177	SCREW,SELF DRILL,HEX,ST,PL,12 X 3/4	9
37	320-1024	BELTGUARD,GAS,W,ASSY,BLUE,BGWW	1
38	120-1075	WASHER,FLAT,STEEL,PLATED,5/16"	2
39	120-1119	NUT,LOCK,FLANGE,HEX,SERR,ST,PLTD,5/16-18	2
40	JD7988	ELBOW,STREET,BRASS,3/4"NPT	1
NOT SHOWN	610-1225	KIT,ELEMENT,FILTER,G54E,PKG OF 4,G54EP	1
NOT SHOWN	105-1209	OIL,PUMP,SYNTHETIC,BLUE,1 QUART,ESQ	1
NOT SHOWN	634-2893907	FILTER,17210-ZE3-010	1

ASSEMBLE ITEM (1) TO EXISTING
BOLT AFTER REMOVING NUT ON
IDLE CONTROL UNDER GAS TANK
NOTE TANK DOESN'T NEED
REMOVED TO ATTACH THIS PART

IDLE CONTROL MOUNTING INSTRUCTION FOR 11HP HONDA



Parts List for 11&13HP Honda Throttle Idle Control

NOTE: The quantity number indicates the total number of pieces required for a complete unit repair.

When ordering parts give compressor model, serial number and part number. Order assemblies when possible.

<u>REF. NO.</u>	<u>PART NO.</u>	<u>DESCRIPTION</u>	<u>QTY.</u>
1	220-1061	LEVER,CONTROL,IDLE,HONDA,8HP,LIC-8HG	1
2	121-1083	NUT,COMPRESSION,TUBING,BRASS,3/8"	1
3	150-1064	PISTON,CONTROL,IDLE,THROTTLE,HONDA	1
4	104-1021	RING,O,BUNA-N,5/16"IDX7/16"ODX1/16"THK	1
5	150-1063	CYLINDER,CONTROL,IDLE,THROTTLE,BRASS,TIC	1
6	150-1139	BRACKET,CONTROL,IDLE,THROTTLE,11HP,HONDA	1
7	121-1037	ELBOW,FEMALE,COMPRESSION,BR,1/4TBX1/8"N	1
8	121-1080	SLEEVE,COMPRESSION,BRASS,1/4"	1
9	121-1082	NUT,COMPRESSION,TUBING,BRASS,1/4"	1
10	120-1078	WASHER,FLAT,STEEL,PLATED,USS,3/8"	2
11	120-1077	WASHER,LOCK,SPLIT,STEEL,PLATED,3/8"	2
12	120-1032	SCREW,CAP,HEXHD,GR5,ST,PLTD,3/8-16X1	2

Parts List for Model J & JU

NOTE: The quantity number indicates the total number of pieces required for a complete pump repair.
When ordering parts give compressor model, serial number and part number. Order assemblies when possible.

<u>REF. NO.</u>	<u>PART NO.</u>	<u>DESCRIPTION</u>	<u>QTY.</u>
1	120-1166	PIN,FLYWHEEL, STL, 5/16 ODX 1-1/4 L, W25	1 EA
2	220-1094	FLYWHEEL,W PUMP,CI,16"DIA,2 GROOVE,W23A	1 EA
3	150-1038	SEAL,OIL,LIP,SINGLE,1.575 DIA,W11	1 EA
4	610-1029	PLUG,CRANKCASE,FILL,OIL,W/O-RING,K14	2 EA
5	104-1016	RING,O,BUNA-N,5/8"IDX13/16"ODX3/32"THK	2 EA
6	220-1036	CRANKCASE,W PUMP,CI,MACHINED,W1	1 EA
7	360-1114	SIGHT GLASS 1" INSTALLED LOW	1 EA
8	122-1084	CAP,FEMALE,MI,3/8"NPT	1 EA
9	122-1037	NIPPLE,STEEL,SCH 40,3/8" X 2" L	1 EA
10	150-1031	BEARING,BALL,W9	1 EA
11	220-1038	CRANKSHAFT,W PUMP,CI,MACHINED,W20	1 EA
12	150-1032	BEARING,BALL,W10	1 EA
13	104-1014	GASKET,CAP,BEARING,W PUMP,1/32THK,W3	1 EA
14	150-1081	COIL SPRING C/U UNLOADER ZN	1 EA
15	220-1049	TUBE,OPERATING,CENTRIFICAL UNLOADER,EQ71	1 EA
16	610-1066	PIN,PIVOT,UNLDR,CNTRFCL,W/CTTR PIN,EQ73	1 EA
17	120-1169	PIN,COTTER,ST,BLACK,1\16DIAX1\2LG,EQ73B	1 EA
18	610-1167	UNLOADER,CENTRIFUGAL,WEIGHT,SET,EQ70	1 EA
19	220-1037	CAP,BEARING,W PUMP,CI,MACHINED,W2	1 EA
20	120-1002	SCREW,CAP,HEXHD,GR5,ST,BLK,1/4-20X5/8 (15 FT - LB.)	4 EA
21	220-1050	PIN,UNLOADER,CENTRIFICAL,EQ74D	1 EA
22	120-1171	NUT,HEX,JAM,STEEL,PLATED,7/16-20,EQ74C	1 EA
23	120-1170	VALVE,CORE,EQ74A	1 EA

Parts List for Model J & JU

NOTE: The quantity number indicates the total number of pieces required for a complete pump repair.
When ordering parts give compressor model, serial number and part number. Order assemblies when possible.

<u>REF. NO.</u>	<u>PART NO.</u>	<u>DESCRIPTION</u>	<u>QTY.</u>
24	150-1035	BODY,UNLOADER,EQ74B	1 EA
25	121-1025	CONNECTOR,MALE,COMPRESSION,BR,1/4TBX1/8"	2 EA
26	220-1005	PISTON,PUMP,ALUMINUM,MACHINED,K32	4 EA
27	104-1103	BUMPER,WRIST PIN,PLASTIC,K36A	8 EA
28	610-1065	KIT,RING,OIL,W/EXPANDER,ASSY,K34	4 EA
29	150-1003	RING,COMPRESSION,PISTON,STEEL,EBA 22,K33 (CHAMFER / PIP MARK ON TOP SIDE)	8 EA
30	150-1005	PIN,PISTON,STEEL,HARDENED,K35	4 EA
31	310-1007	ROD,CONNECTING,PUMP,ALUM,MACHINED,W21	4 EA
32	220-1016	HEAD,UNLOADING,G PUMP,CI,6HOLES,LU80	1 EA
33	121-1032	ELBOW,MALE,COMPRESSION,BR,1/4TBX1/8"NPTM	3 EA
34	610-1134	TUBE,BREATHER,COPPER,BENT,J&W PUMP,W18	1 EA
35	610-1119	TUBING,HEAD TO HEAD,J PUMP,CU,5/8",J59	1 EA
36	121-1015	ELBOW,MALE,BRASS,5/8-45SAEX1/2"NPTM	1 EA
37	150-1020	SPRING,VALVE,UNLOADER,INTAKE, KU83	4 EA
38	104-1020	RING,O,SILICON,7/16"IDX5/8"ODX3/32"THK	4 EA
39	150-1028	PISTON,UNLOADER,VALVE,CHECK,BRASS,KU81	4 EA
40	104-1015	RING,O,BUNA-N,1/2"IDX11/16"ODX3/32"THK	4 EA
41	122-1051	PLUG,HEX ,BRASS,11/16-16 UN-2B X .550	4 EA
42	120-1252	BOLT,STUD,HEX,ST,5/16-18X2-1/4X5/8,K52-1(22FT-LB)	2 EA
43	120-1028	SCREW,CAP,HEXHD,GR5,ST,BLK,5/16-18X2-1/4(22FT-LB)	10 EA
44	310-1004	HEAD,START/STOP,G PUMP,REPLACEMNT,L50 (LEFT HEAD)	1 EA
45	104-1008	GASKET,HEAD,K&G&W PUMP,1/32THK,L51	2 EA

Parts List for Model J & JU

NOTE: The quantity number indicates the total number of pieces required for a complete pump repair.
When ordering parts give compressor model, serial number and part number. Order assemblies when possible.

<u>REF. NO.</u>	<u>PART NO.</u>	<u>DESCRIPTION</u>	<u>QTY.</u>
46	150-1041	RETAINER, VALVE, STEEL, PAS, 0.062" THK, K43	8 EA
47	109-1010	VALVE, CHECK, BUMPER, STEEL, K44	8 EA
48	150-1018	SPRING, CONE, SS, VALVE, DISCHARGE, K46	4 EA
49	109-1011	VALVE, DISC, STEEL, K47	8 EA
50	610-1396	PLATE, VALVE, L PUMP, CI, PAINTED, BLUE, L40	2 EA
51	150-1017	SPRING, CONE, SS, VALVE, INTAKE, K45	4 EA
52	104-1007	GASKET, PLATE, VALVE, K&G&W PUMP, 1/32TK, L41	2 EA
53	360-1152	CYLINDER W30 REPLACEMENT BLUE W30	2 EA
54	120-1017	SCREW, CAP, HEXHD, GR5, ST, BLK, 5/16-18X3/4 (15 FT - I	12 EA
55	104-1006	GASKET, CYLINDER, K&G&W PUMP, 1/32THK, K31	2 EA
56	310-1034	HEAD, START/STOP, J PUMP, J50 (RIGHT HEAD)	1 EA
57	610-1138	TUBE, UNLOADER, CENTRIFUGAL, J PUMP, CU, J78	1 EA
58	320-1121	FILTER, W/DECALS, ASSY, G154S	2 EA
59	150-1104	ELEMENT, FILTER, AIR, (92 EMGLO), G54E	2 EA
60	610-1067	MANIFOLD, PIPE, OUTLET, J PUMP, ASSY, J57	1 EA
61	610-1119	TUBING, HEAD TO HEAD, J PUMP, CU, 5/8", J59	1 EA
62	121-1039	TEE, BRANCH, BRASS, 1/4" TBX1/4" TBX1/8" NPTM	1 EA
63	610-1136	TUBING, UNLOADER, HEAD-HEAD, W PUMP, WU88	1 EA
64	220-1078	HEAD, UNLOADING, J PUMP, CI, MACHINED, JU80	1 EA
ASSEMBLIES			
65	610-1068	KIT, GASKET, J PUMP, ASSY, J100 SET INCLUDES 13, (2) 45, (2) 52, (2) 55	1 EA
66	610-1126	KIT, BASIC, REPAIR, J PUMP, J101 65 (2), 68 (4), 70(4), 71(4), 150-1010 FILTER ELEMENT	1 EA

Parts List for Model J & JU

NOTE: The quantity number indicates the total number of pieces required for a complete pump repair.
When ordering parts give compressor model, serial number and part number. Order assemblies when possible.

<u>REF. NO.</u>	<u>PART NO.</u>	<u>DESCRIPTION</u>	<u>QTY.</u>
67	610-1028	PISTON,W/RINGS&PIN,ASSY,K132	3 EA
68	610-1020	KIT,PUMP,RING,PISTON,F&K&G&W PUMP,K133	2 EA
69	610-1127	KIT,BASIC,REPAIR,JU PUMP,JU101 SAME AS 66 w / (4) 78	1 EA
70	610-1031	VALVE,CHECK,SUCTION,ASSY,K145	4 EA
71	610-1032	VALVE,CHECK,DISCHARGE,ASSY,K146	4 EA
72	610-1053	WEIGHT,UNLOADER,CENTRIFICAL,W/GSKT,W170 ASSY, W / GASKET,INCLUDES 13,14,15,16,18	1 EA
73	310-1016	VALVE,UNLOADER,CENTRIFICAL,ASSY,EQ174 ASSY. INCLUDES 21, 22, 23, 24, 25	1 EA
74	610-1054	UNLOADER,CENTRIFICAL,W/B CAP,ASSY,W175 ASSY. W / BEARING CAP, TUBING AND GASKET	1 EA
75	310-1008	HEAD,UNLOADING,K&G,W/1/2"PRT 6 HLE,LU180 COMPLETE W / UNLOADERS (RIGHT HEAD)	1 EA
76	610-1045	PLATE,VALVE,W/VALVES,ASSY,L140 INSTALLED W / 45, 52 GASKET	1 EA
77*	610-1042	VALVE,UNLOADER,HEAD,PUMP,ASSY 150-1042 (2pcs) 120-1167 (2pcs) must be ordered extra	4 EA
77**	610-1042	VALVE,UNLOADER,HEAD,PUMP,ASSY,KU181 INCLUDES 37, 38, 39, 40 41	4 EA
78	310-1035	HEAD,UNLOADING,J PUMP,JU180 (LEFT HEAD)	1 EA

77* for units built before serial #D103105001

77** for units built after serial #D110105001