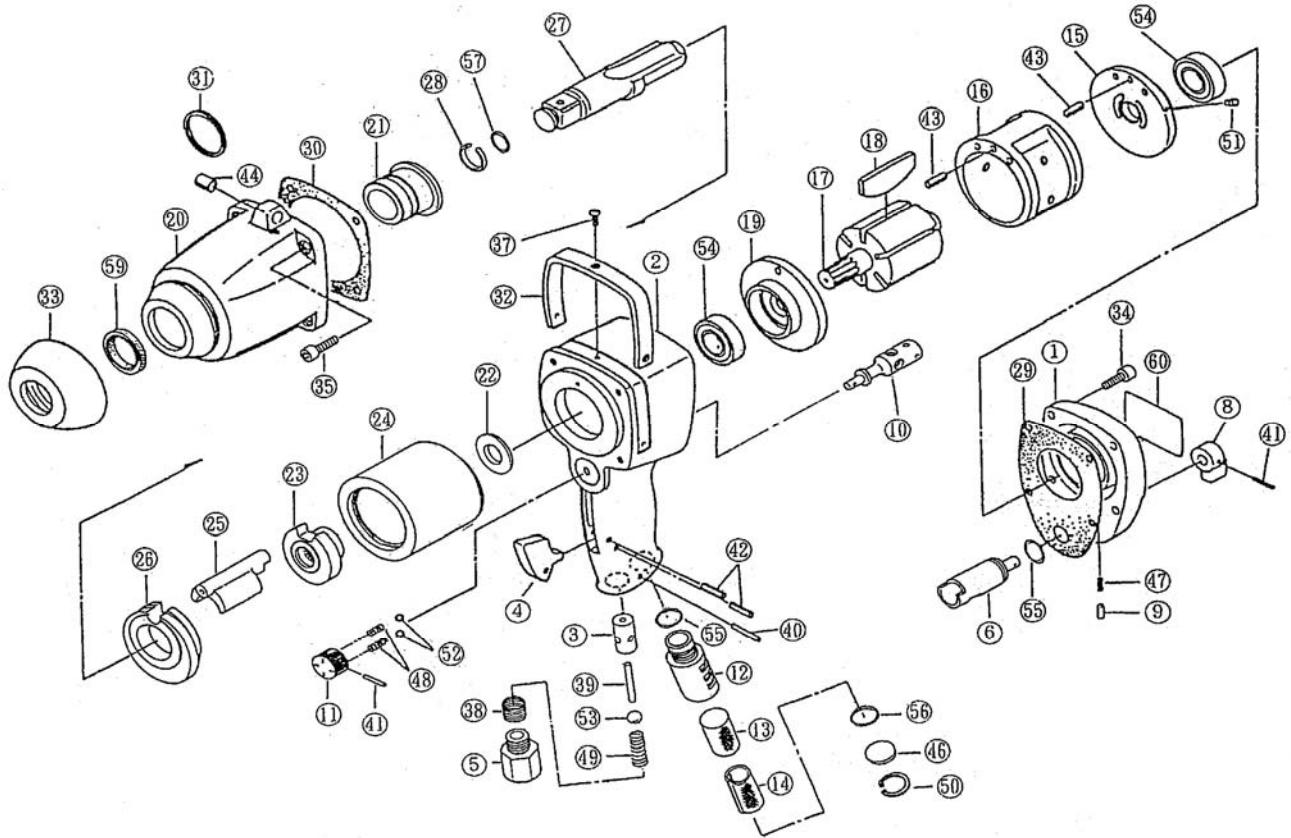




Parts List for 3/4" Square Drive Impact Wrench Model J-2000P



Parts identified on reverse side.

Specifications:

Stock no.	Model	Square drive (in)	Bolt capacity (in)	Anvil retainer type	Max. torque (ft/lb)	Free speed (RPM)	Air press. (PSI)	Air consumption (CFM)	Air inlet (NPT/in)	Air hose (ID/in)	Vibration value (m/s ²)	Overall length (in)	Weight (lb)
505972	J-2000P	3/4	13/16	Ring/hole	550	5500	90	39	3/8	3/8	4	8-7/8	11

JET

427 New Sanford Rd.
LaVergne, Tennessee 37086
Ph.: 800-274-6848
www.jettools.com

Part No. M-505972

Revision B1 06/2014

Copyright © 2014 JET, a Division of JPW Industries, Inc.

Replacement Parts

To order parts or reach our service department, call 1-800-274-6848 Monday through Friday (see our website for business hours, www.jettools.com). Having the Model Number and Serial Number of your product available when you call will allow us to serve you quickly and accurately.

Parts List for J-2000P Impact Wrench

Index				Index			
No.	Part No.	Description	Qty	No.	Part No.	Description	Qty
1	431630350	Motor Housing Cover	1	33	136201018	Nose Shield	1
2	43181801B	Motor Housing CP	1	34	131706016	Hex Bolt, M6x16	4
3	460631021	Valve Seat	1	35	131706018	Hex Bolt, M6x18	4
4	431267130	Trigger	1	37	131804008	Tapping Screw, M4x8	3
5	43163085B	Air Inlet with Screen	1	38	131019200	Helisert, U5/8-18 N6	1
6	431630210	Reverse Valve	1	39	469703350	Throttle Push Pin, 4x34 mm	1
8	431119230	Reverse Valve Lever	1	40	130406011	Split Pin	1
9	460542201	Reverse Valve Lever Notch	1	41	130602016	Spring Pin, 2x16 mm	2
10	431630150	Control Valve	1	42	130603018	Spring Pin, 3x18 mm	2
11	460542421	Control Valve Knob	1	43	130604014	Spring Pin, 4x14 mm	2
12	461957809	Exhaust Deflector	1	44	130608010	Spring Pin, 8x10 mm	1
13	461950429	Silencer	1	46	469756000	Exhaust Plate, 20x1 mm	1
14	136803044	Filter	1	47	469760180	Valve Lever Notch Spring	1
15	460822852	Rear Plate	1	48	469760660	Valve Knob Spring	2
16	460822862	Liner	1	49	469772200	Throttle Valve Spring	1
17	431630390	Rotor	1	50	130301020	Snap Ring, H-20	1
18	460782881	Vane	6	51	469800080	Knock Pin, 2.4 mm	1
19	460822892	Front Plate	1	52	SB-3/16	Steel Ball, 3/16"	2
20	431630520	Clutch Housing	1	53	SB-3/8	Steel Ball, 3/8"	1
21	431630530	Shank Bushing	1	54	BB-6003	Ball Bearing	2
22	431630480	Washer	1	55	131103014	O-Ring, S-16	2
23	431630430	Cam	1	56	131103015	O-Ring, S-18	1
24	431630440	Hammer Cage	1	57	131101013	O-Ring, P-12.5	1
25	431630450	Dog	1	59	131212024	Oil Seal, G25x33x4	1
26	431630470	Cage Cap	1	60	137309038	Name Plate Short Anvil	1
27	43163050B	Anvil CP Short	1		137309039	Name Plate Long Anvil	1
	43163350B	Anvil CP Long (5")	1	66	134805040	Hose Stem, NPT3/8x1/2	1
28	130803113	Socket Retainer Ring	1	98	134001005	Hex Wrench, 5mm	1
29	136104050	Housing Cover Gasket	1	99	136503003	Poly Cap, 3/8"	1
30	460828572	Clutch Housing Gasket	1		43163052B	Clutch Housing CP	1
31	130803200	Housing Ring	1			(includes #20,21,33,59)	
32	460788401	Motor Housing Protector	1				

NOTE: Anvil parts are pre-lubed and sealed with Nigtight-M #2 grease, or equivalent. (For service reference only; no attention required in this area by operator.)