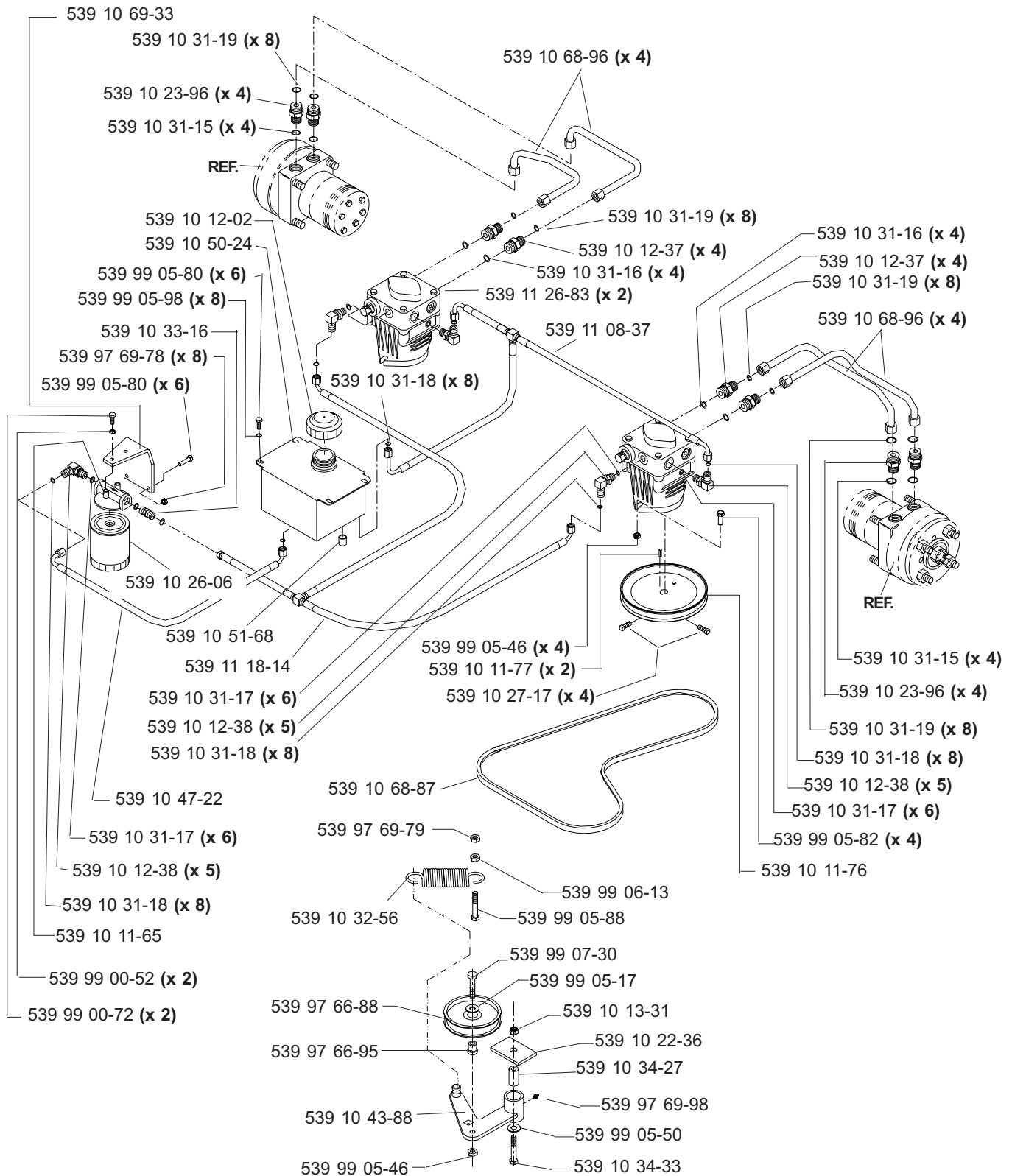
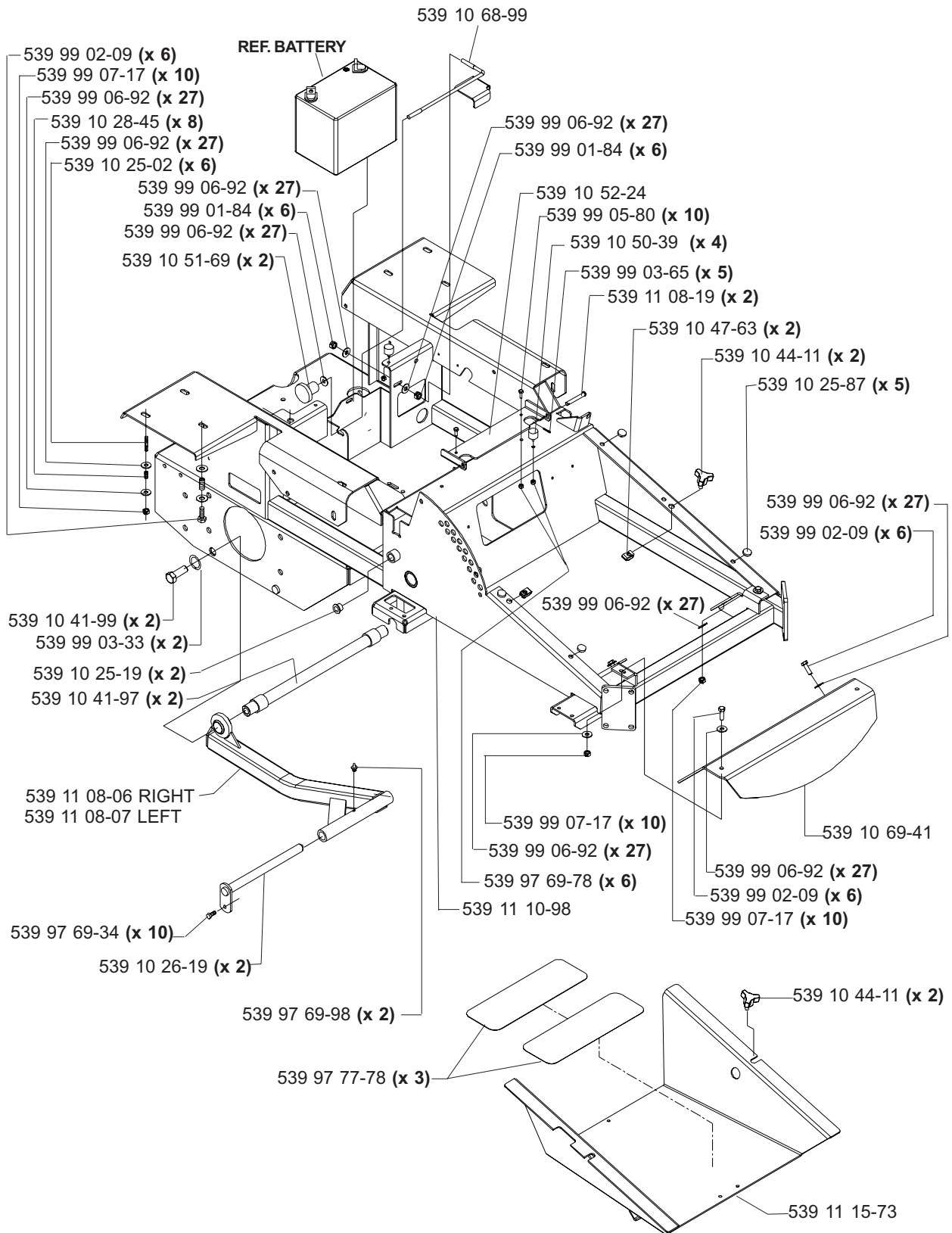


# HYDRAULIC ASSEMBLY (TL)

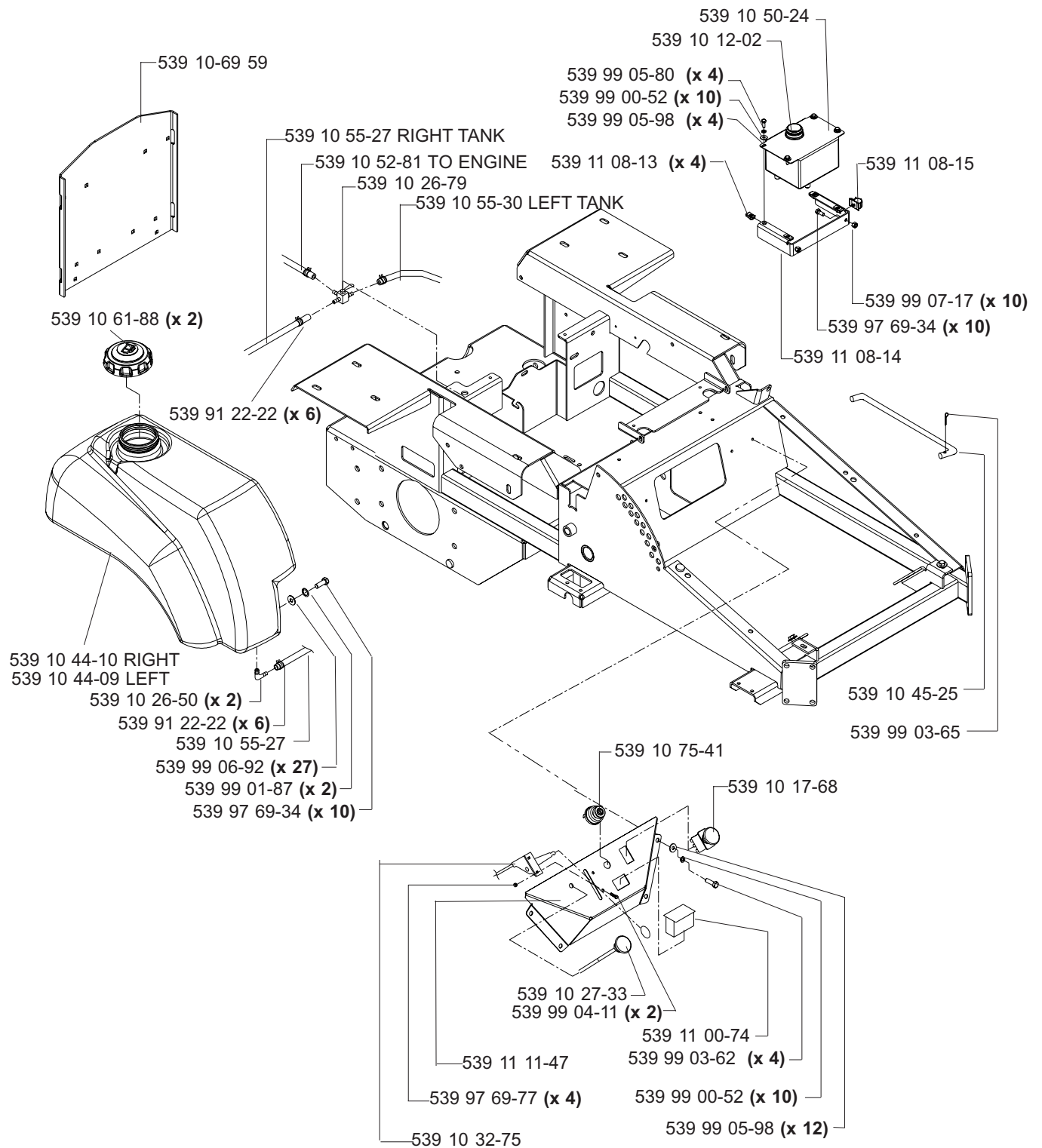
**MODELS: 968999256, 968999258, 968999305, 968999307,  
968999308, 968999332, 968999368, 968999375**



# MAIN FRAME ASSEMBLY



# MAIN FRAME ASSEMBLY

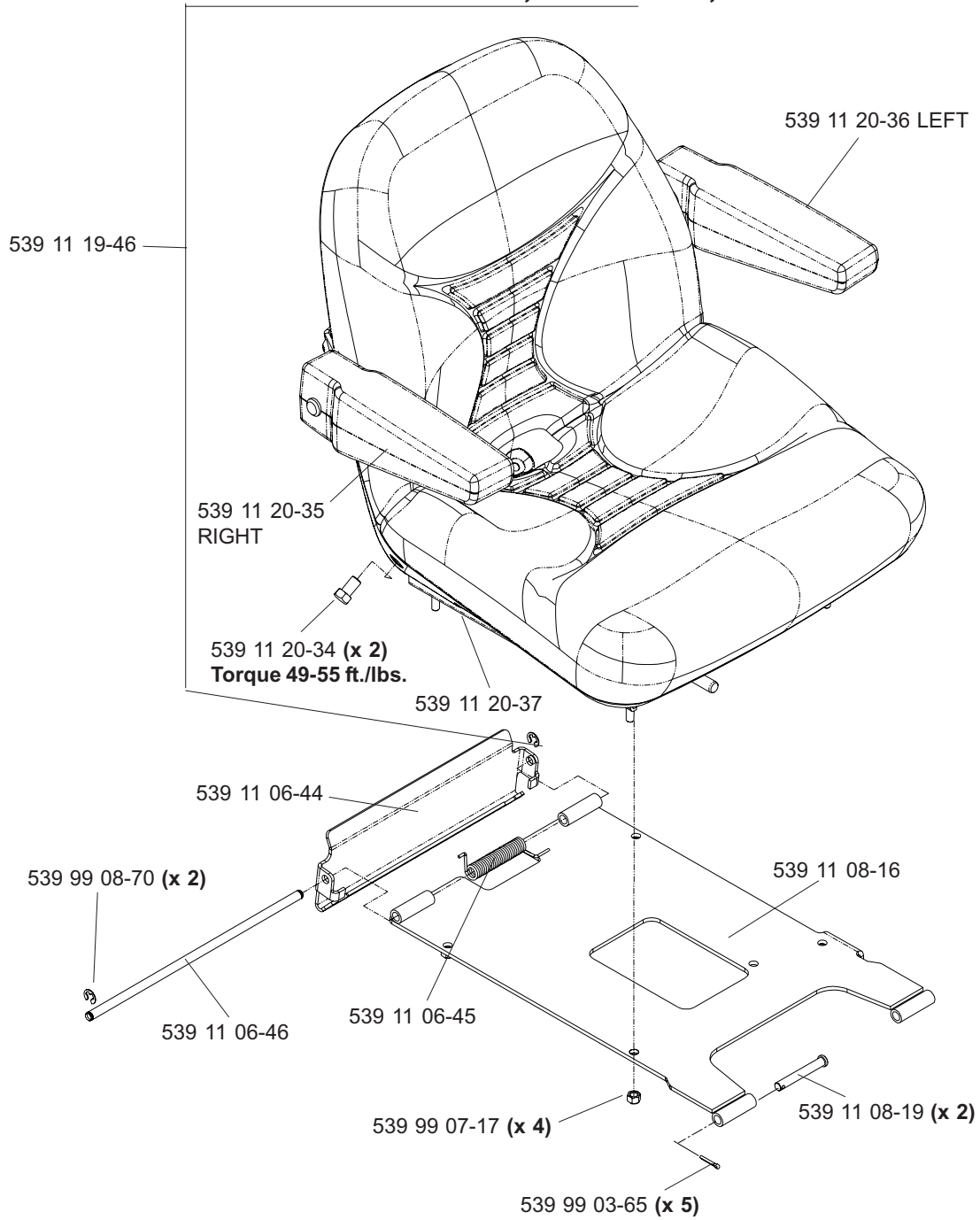


**NOT SHOWN:**

- 539 11 26-54 FLOOR PAN PAD, MODEL 968999307 ONLY
- 539 11 26-55 FOOT REST PAD, MODEL 968999307 ONLY

# SEAT ASSEMBLY

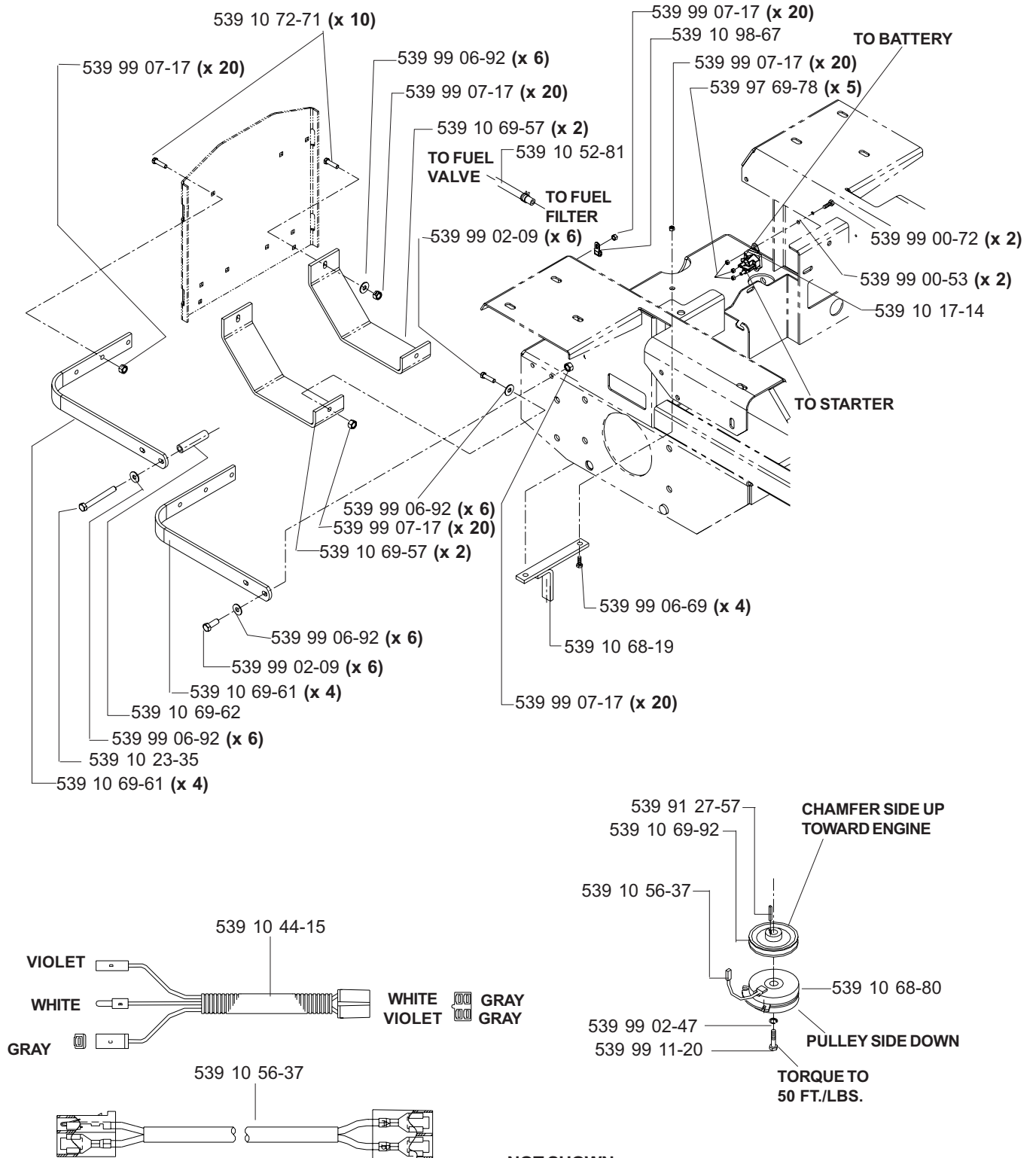
MODELS: 968999256, 968999258, 968999305,  
968999308, 968999332, 968999368



539 11 10-26 ..... 1 ..... SEAT BELT (NOT SHOWN)  
539 10 87-45 ..... 1 ..... SWITCH/SNAP MOUNT KIT (NOT SHOWN)

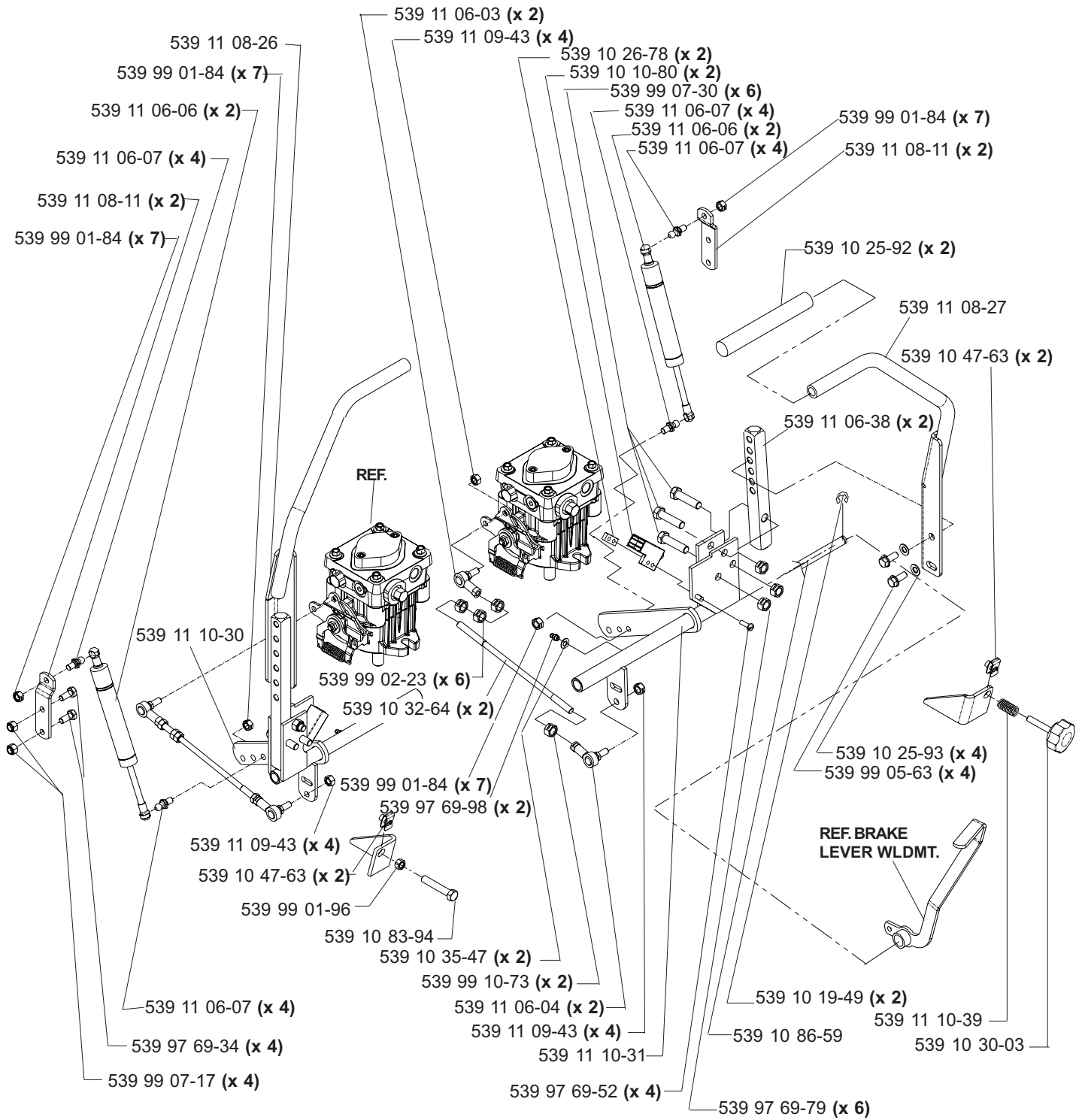
# KAWASAKI 21 HP ENGINE ASSEMBLY

MODELS: 968999256, 968999305, 968999368



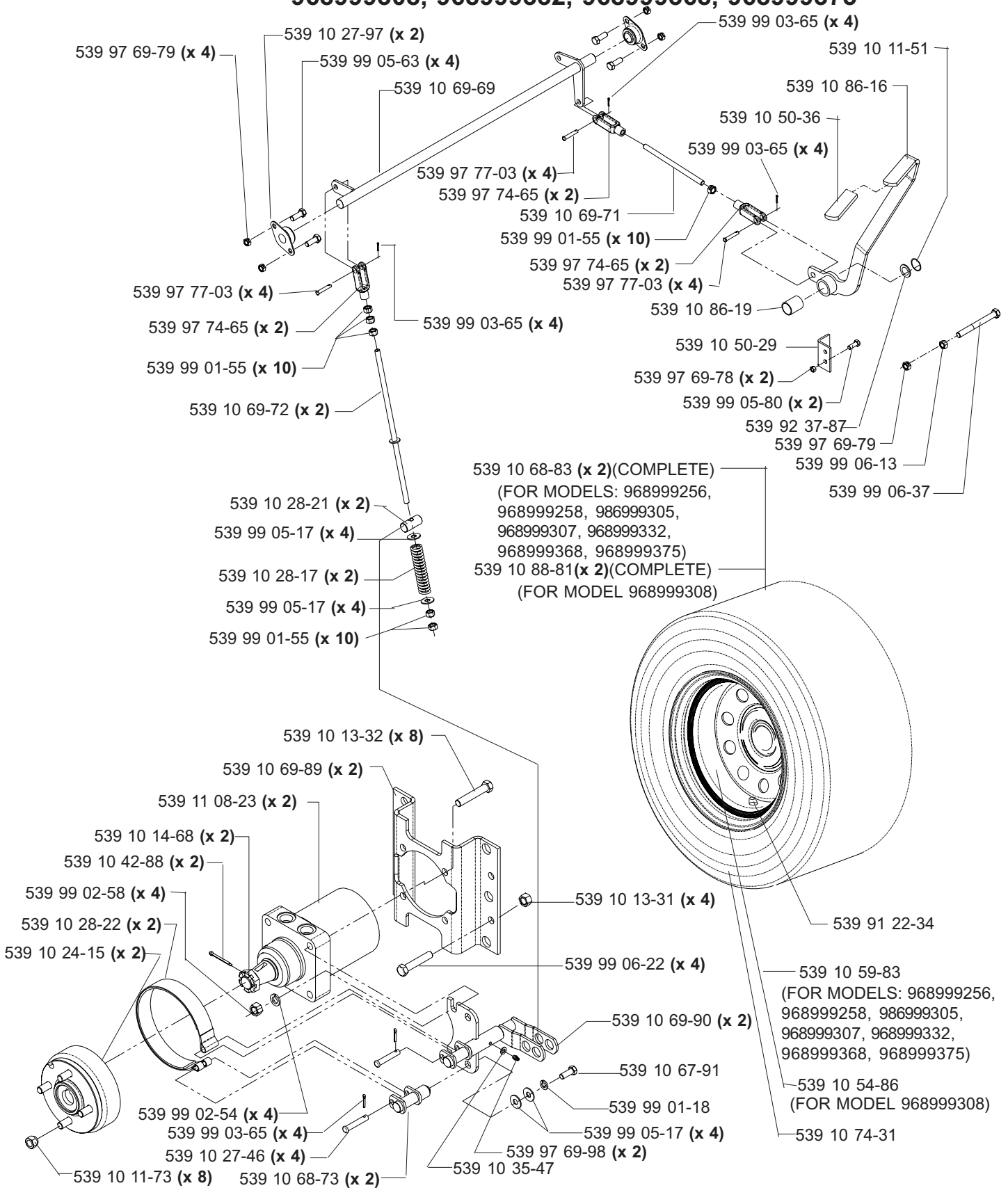
**NOT SHOWN:**  
 102757 CABLE, POSITIVE  
 102759 INSULATOR

# MOTION CONTROL ASSEMBLY



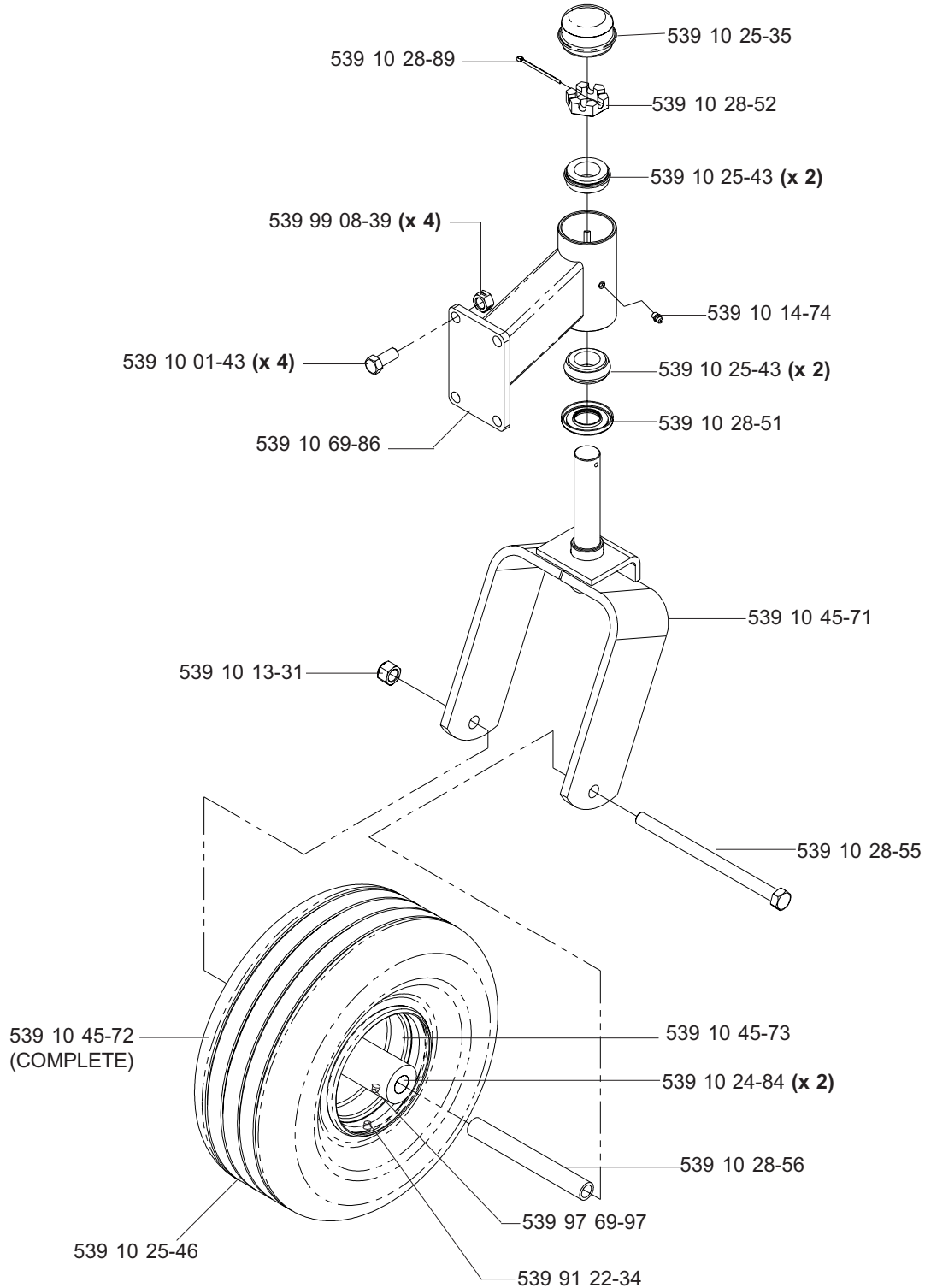
# PARK BRAKE ASSEMBLY (TL)

**MODELS: 968999256, 968999258, 968999305, 968999307,  
968999308, 968999332, 968999368, 968999375**



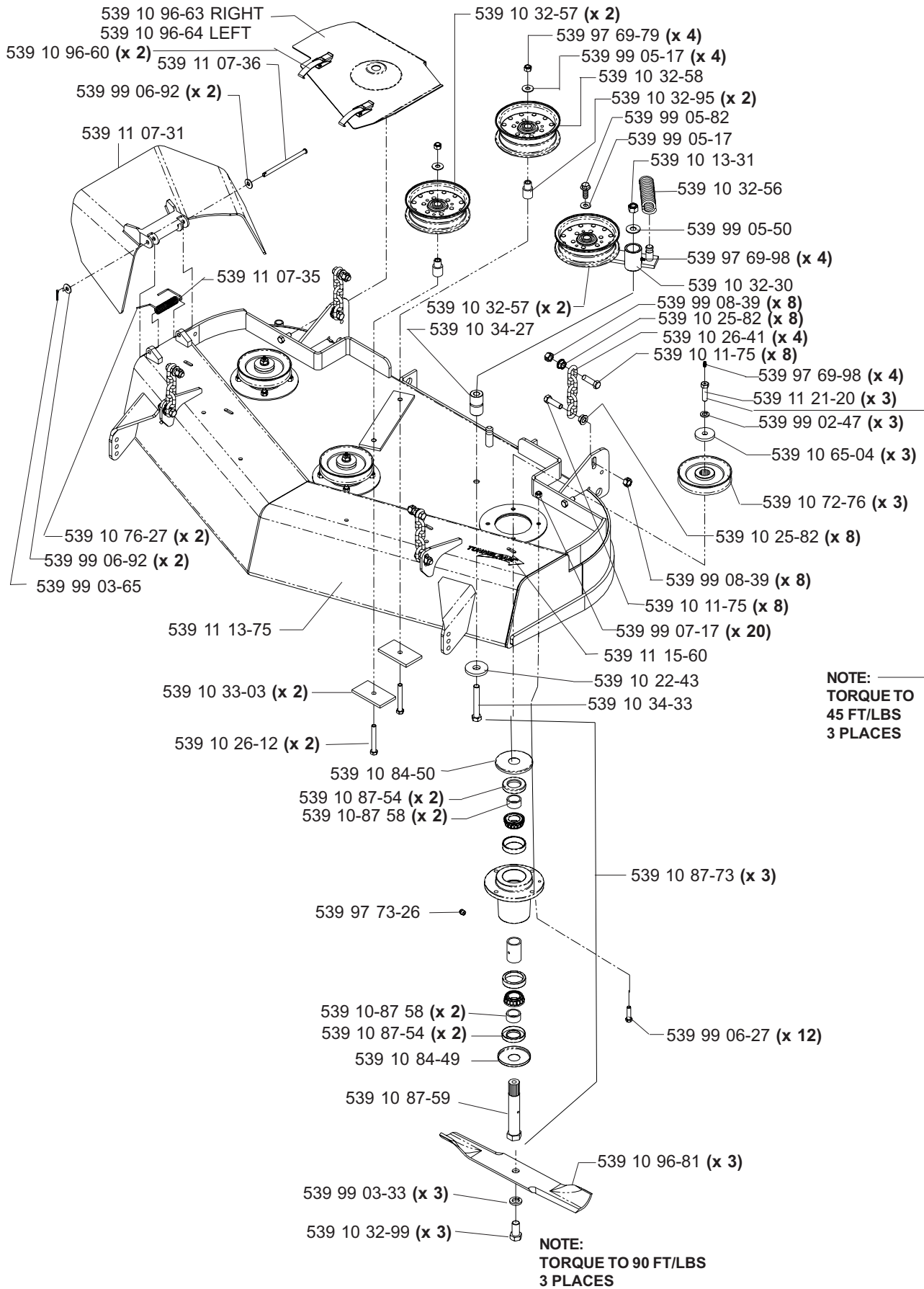
# CASTER ARM

**MODELS: 968999254, 968999255, 968999256, 968999258, 968999304,  
968999305, 968999307, 968999332, 968999368, 968999375,  
968999356**

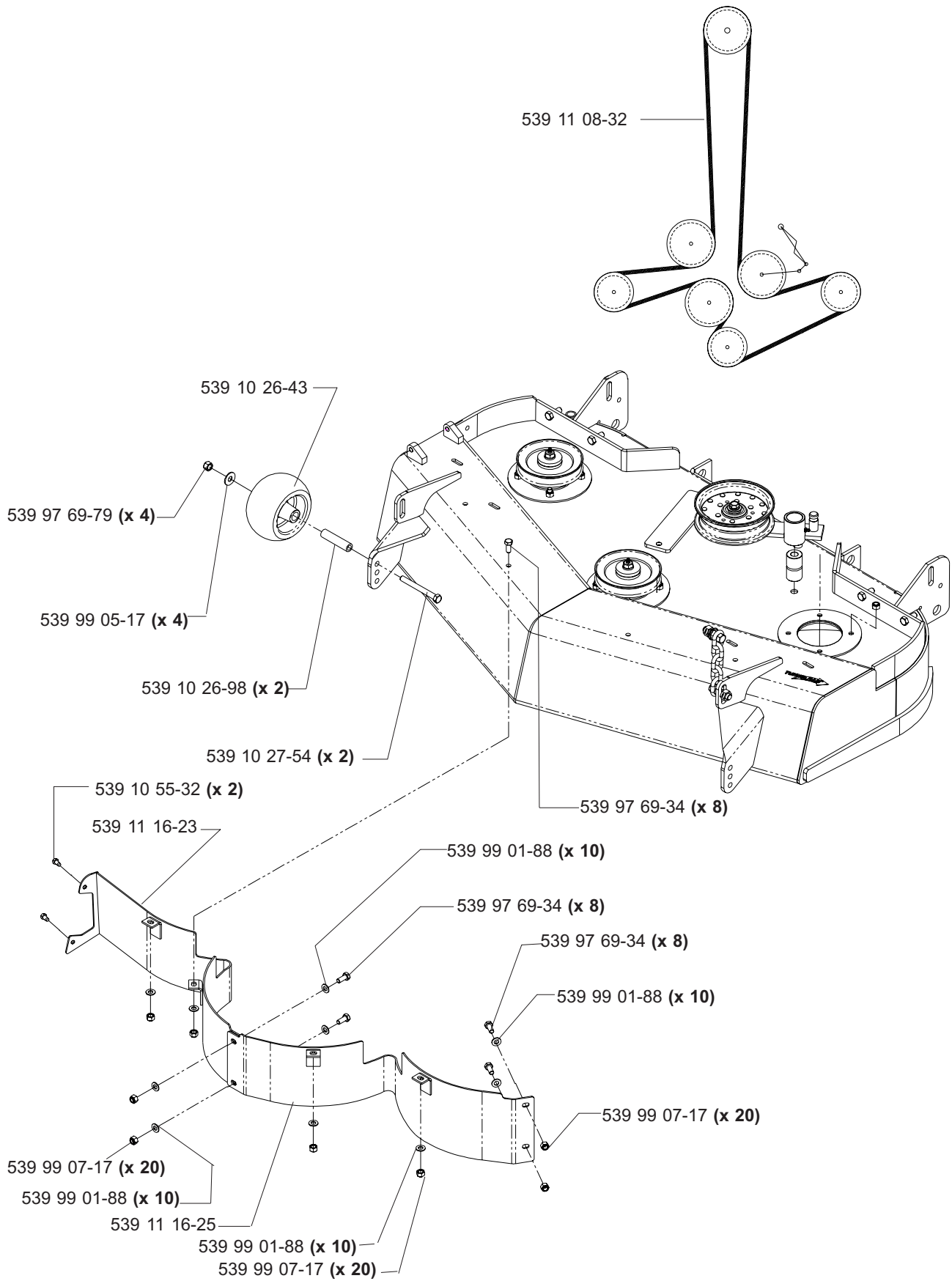




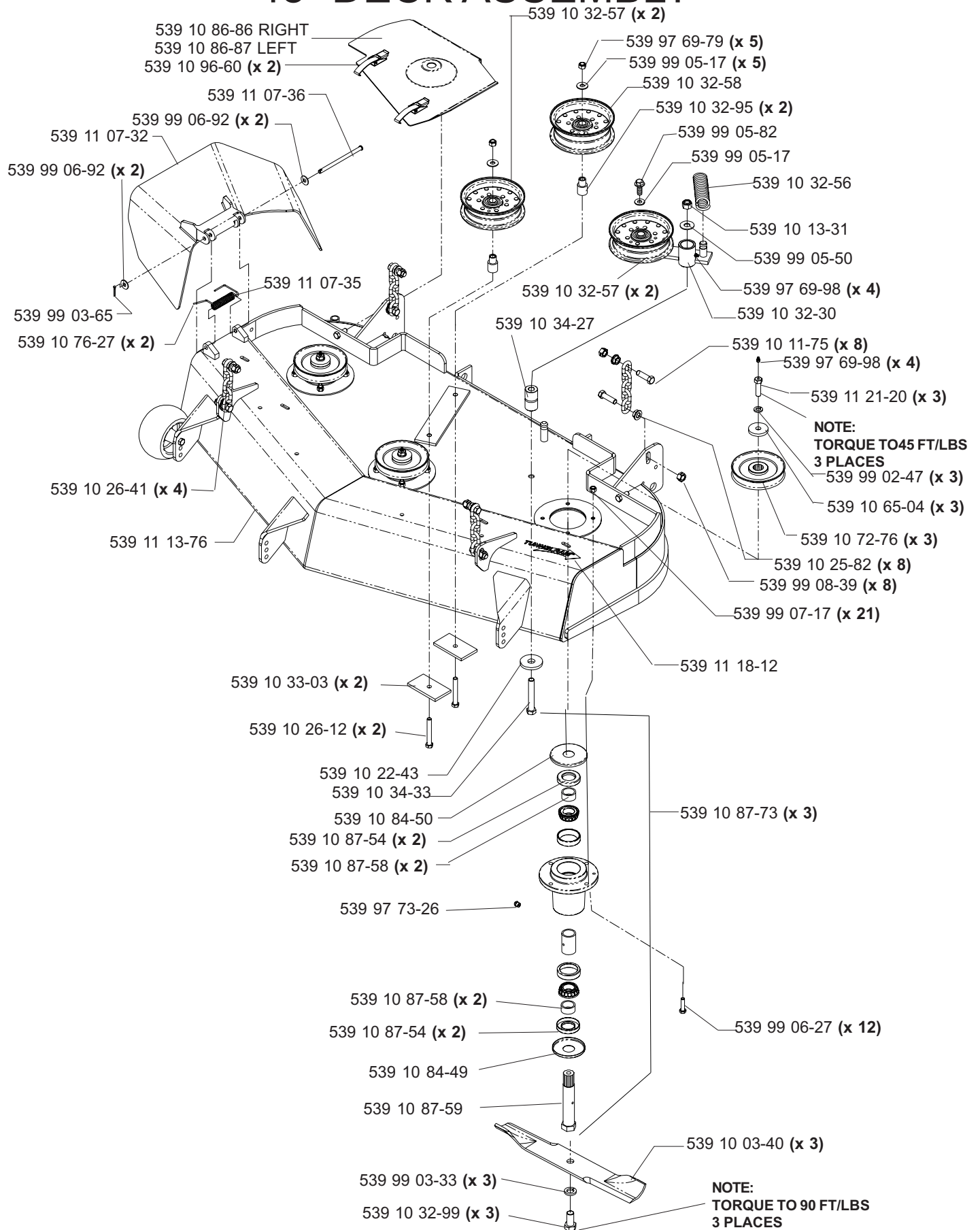
# 42" DECK ASSEMBLY



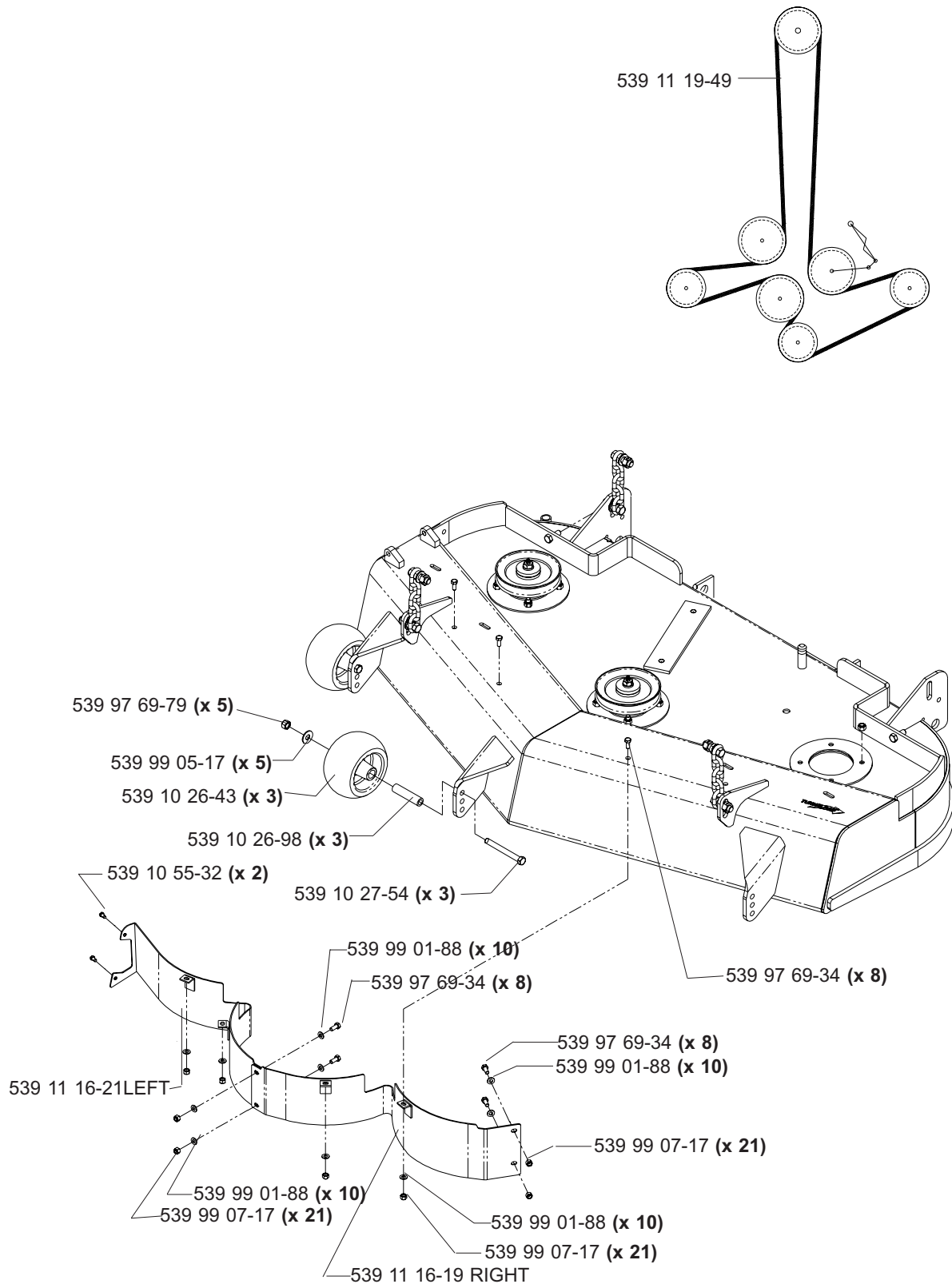
# 42" DECK ASSEMBLY



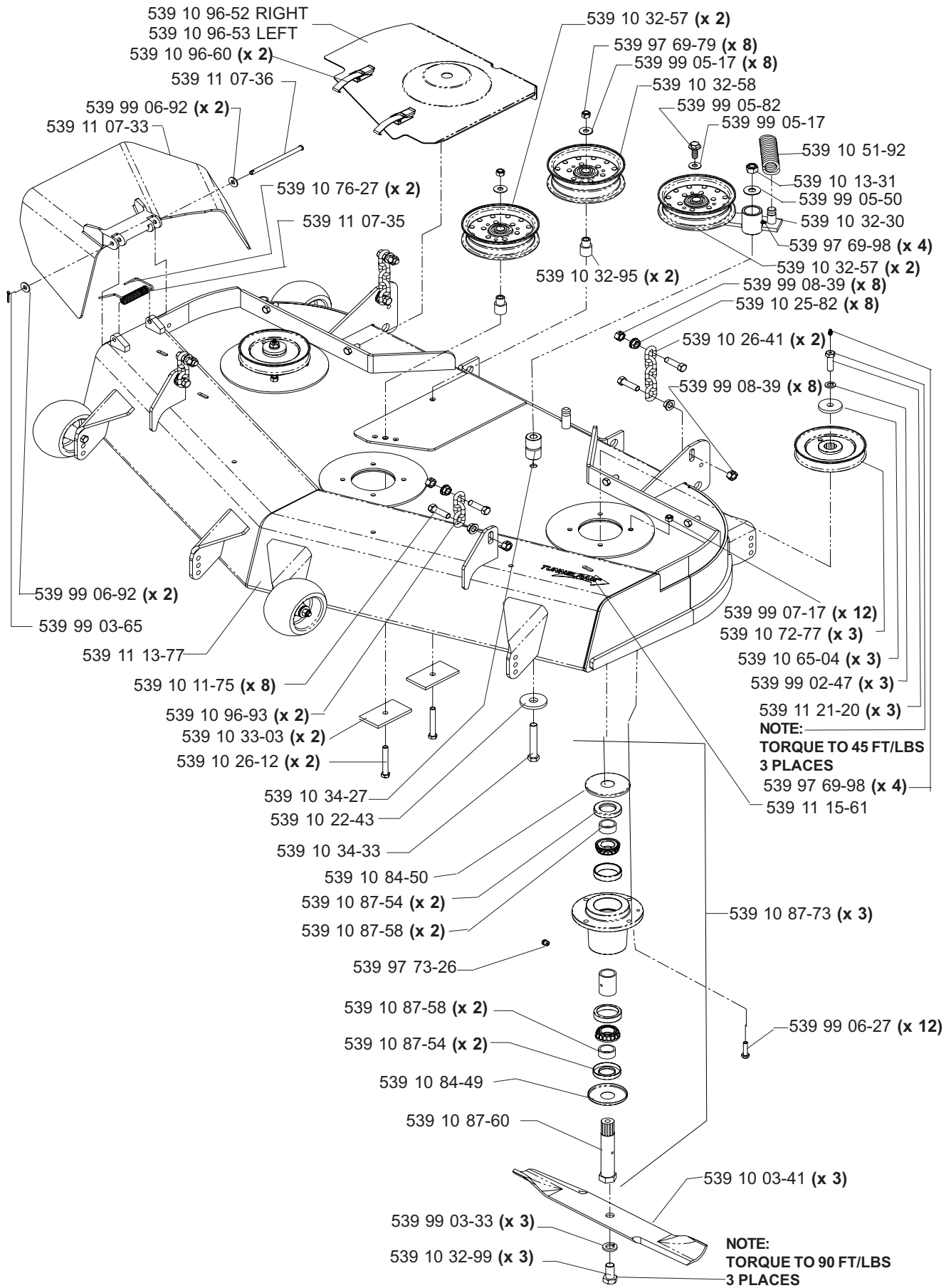
# 48" DECK ASSEMBLY



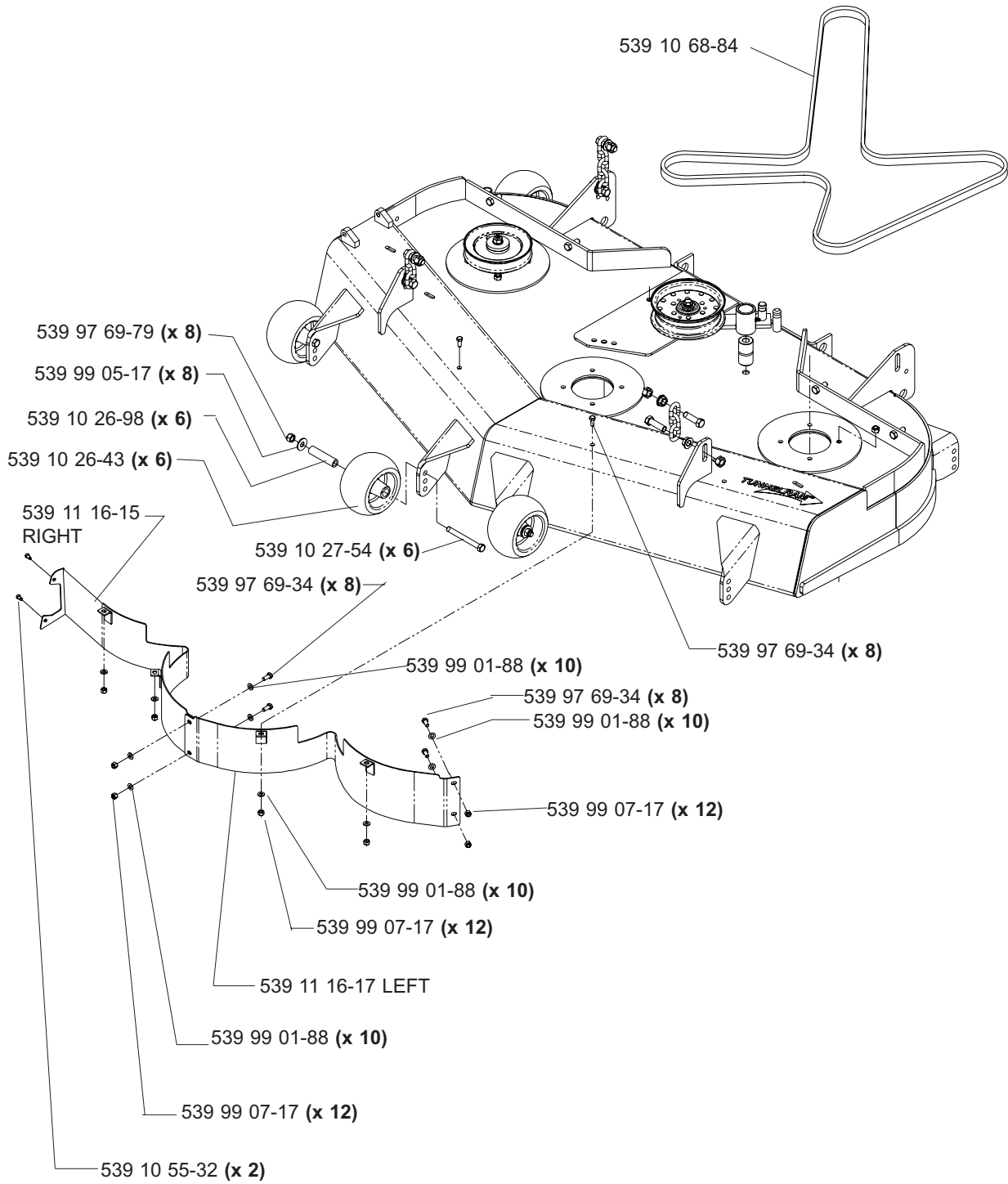
# 48" DECK ASSEMBLY



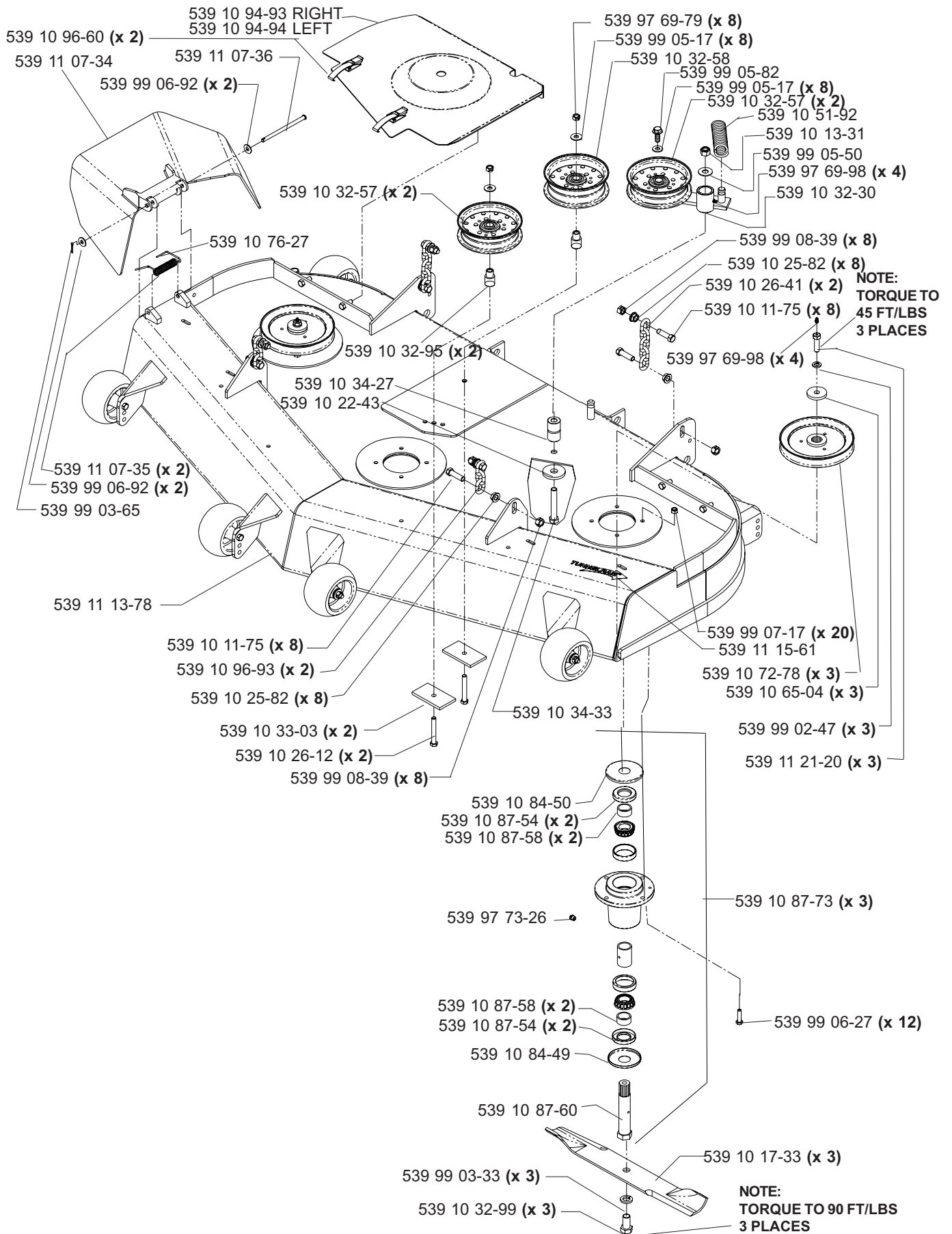
# 52" DECK ASSEMBLY



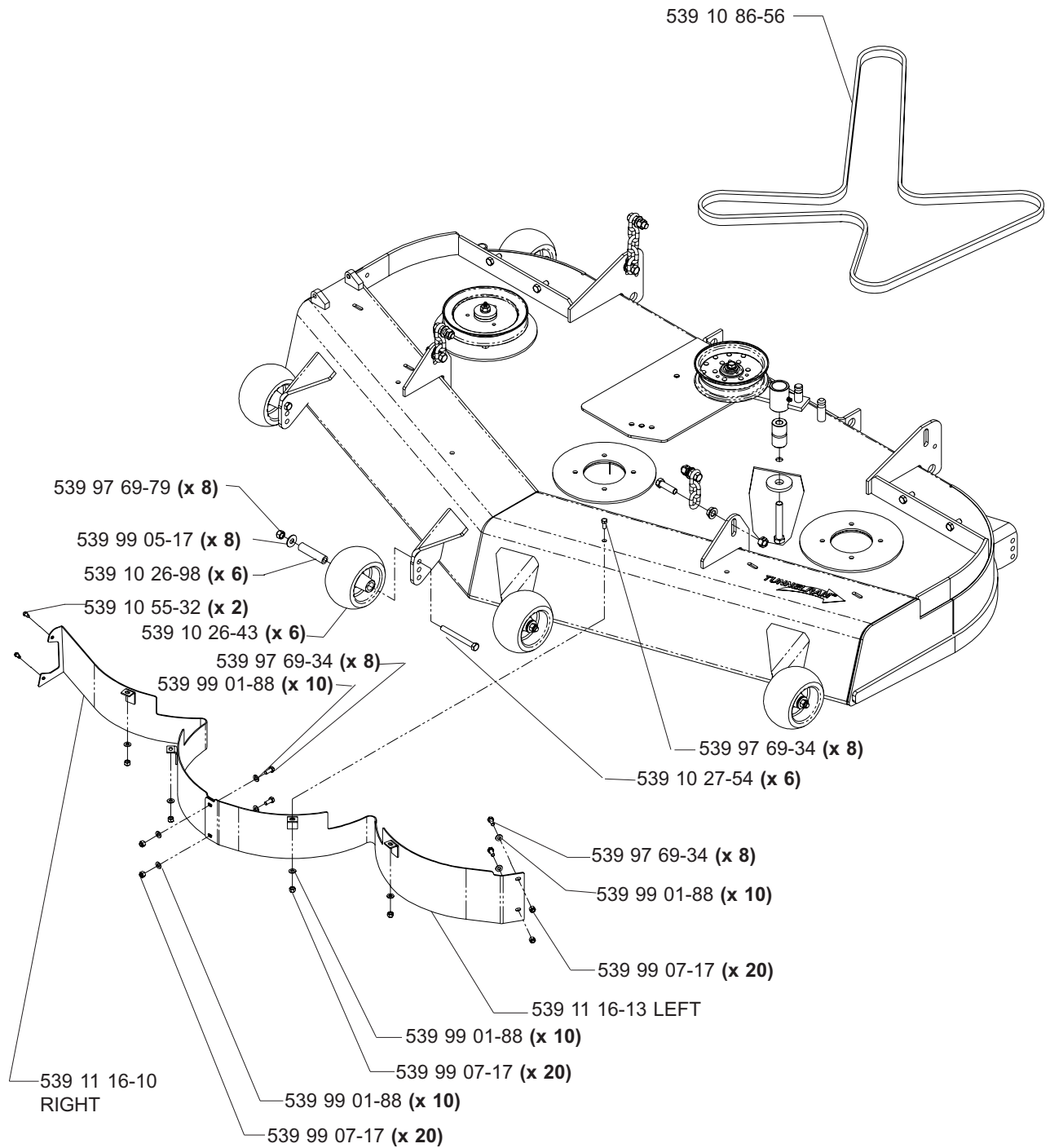
# 52" DECK ASSEMBLY



# 61" DECK ASSEMBLY

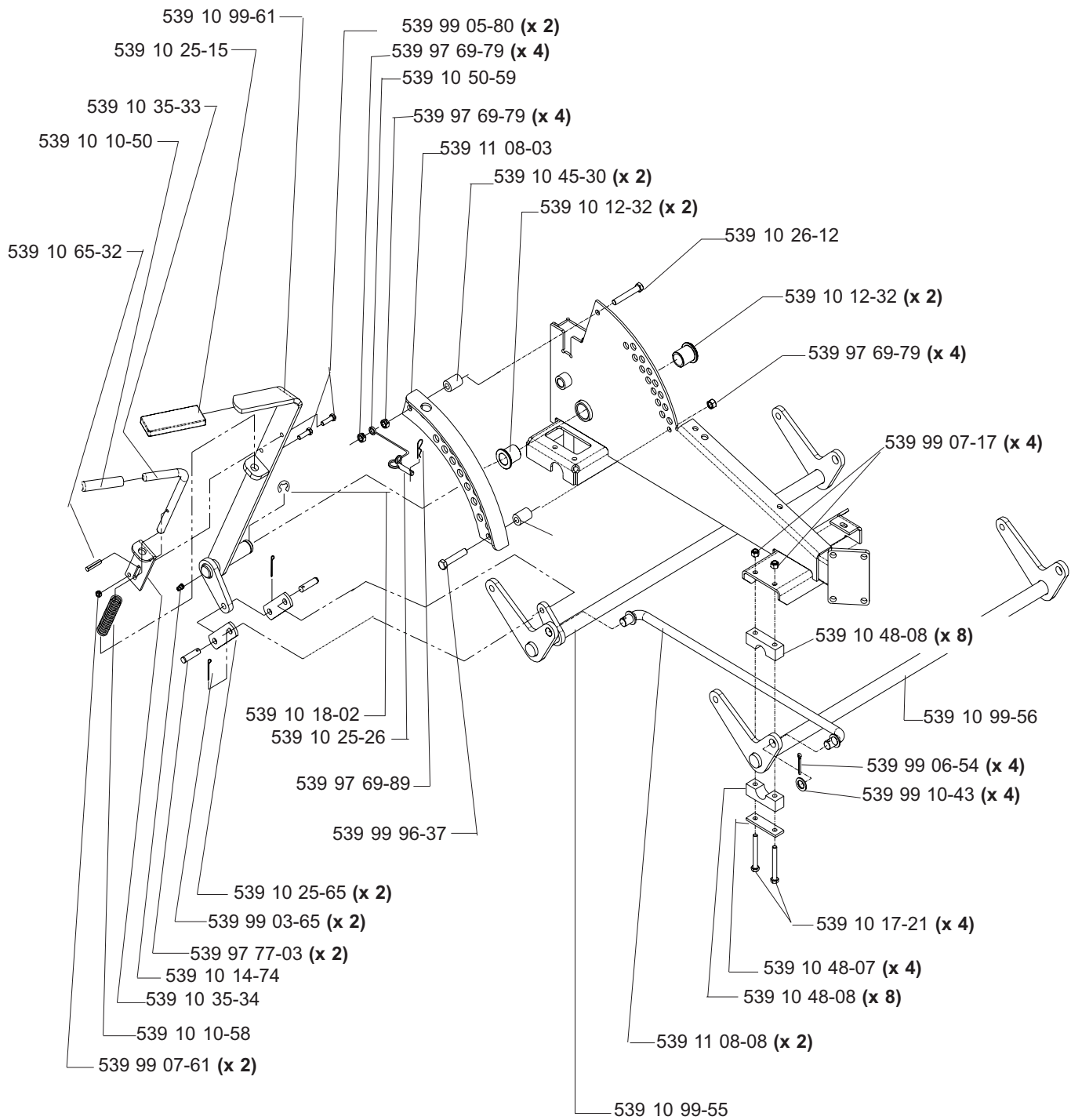


# 61" DECK ASSEMBLY

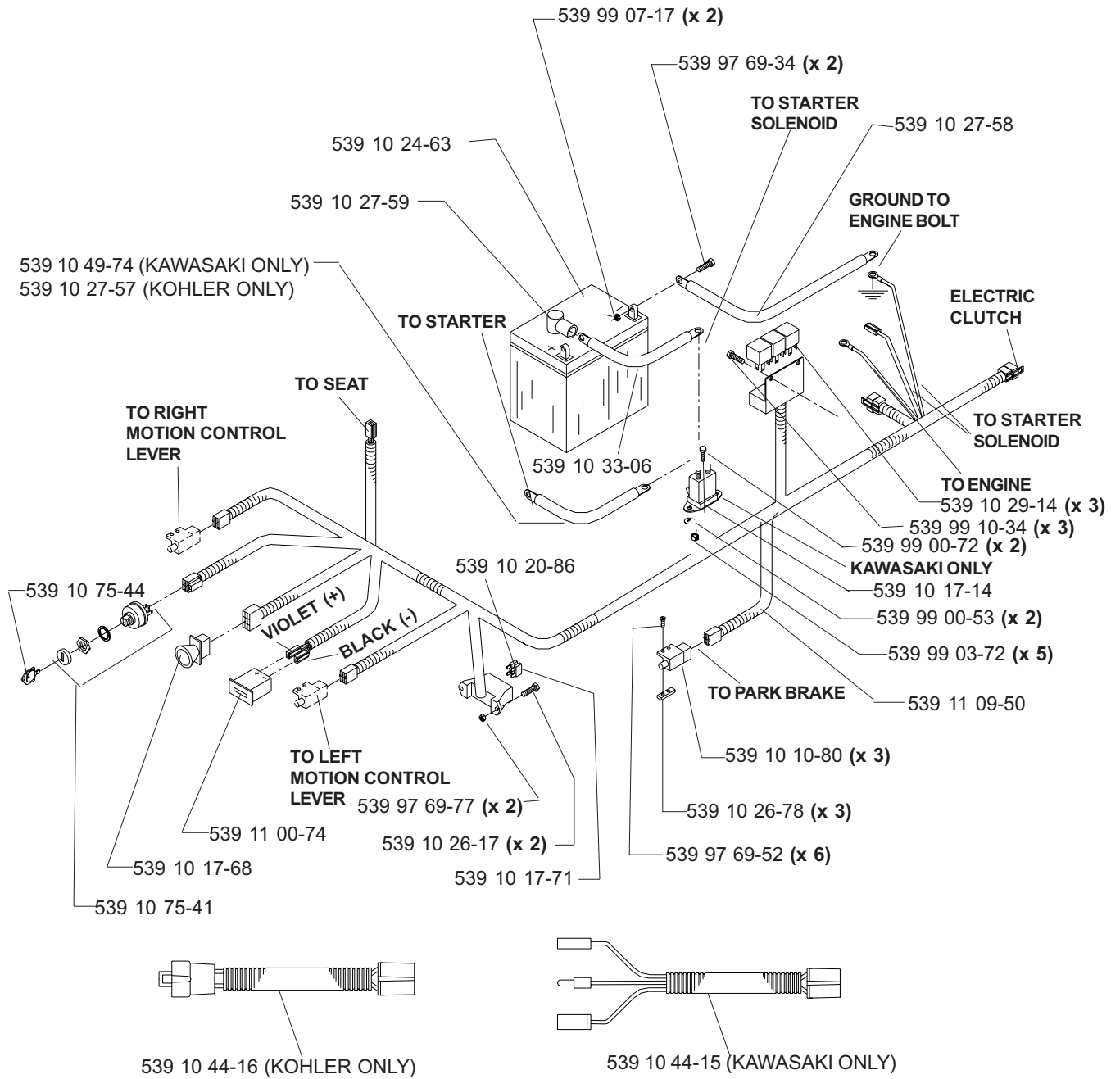




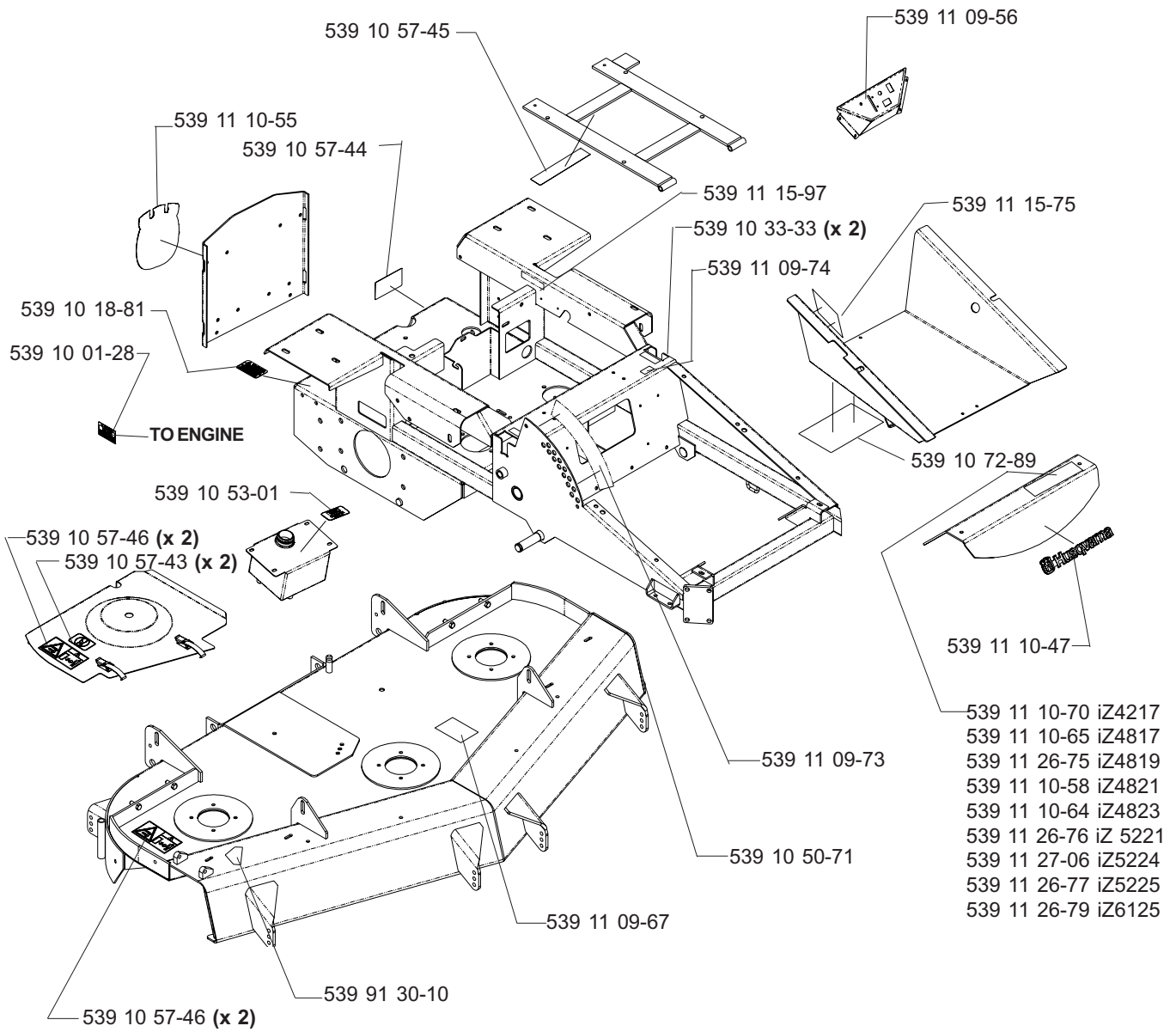
# DECK LIFT ASSEMBLY



# WIRING ASSEMBLY

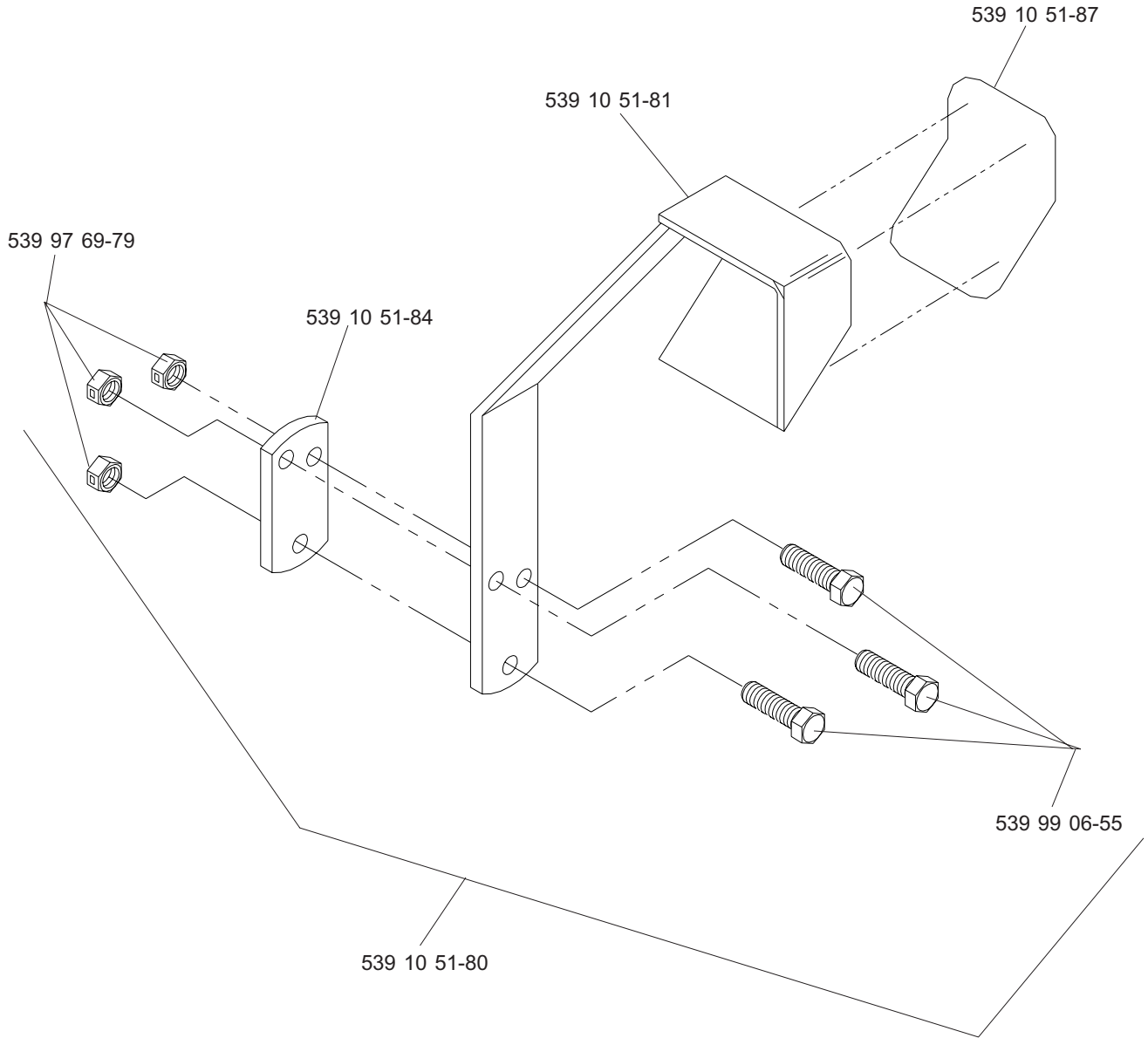


# DECALS



539 10 26-70 DECAL, FUEL VALVE (NOT SHOWN)

# LIFT PEDAL MAY BE OPTIONAL



# ROPS

