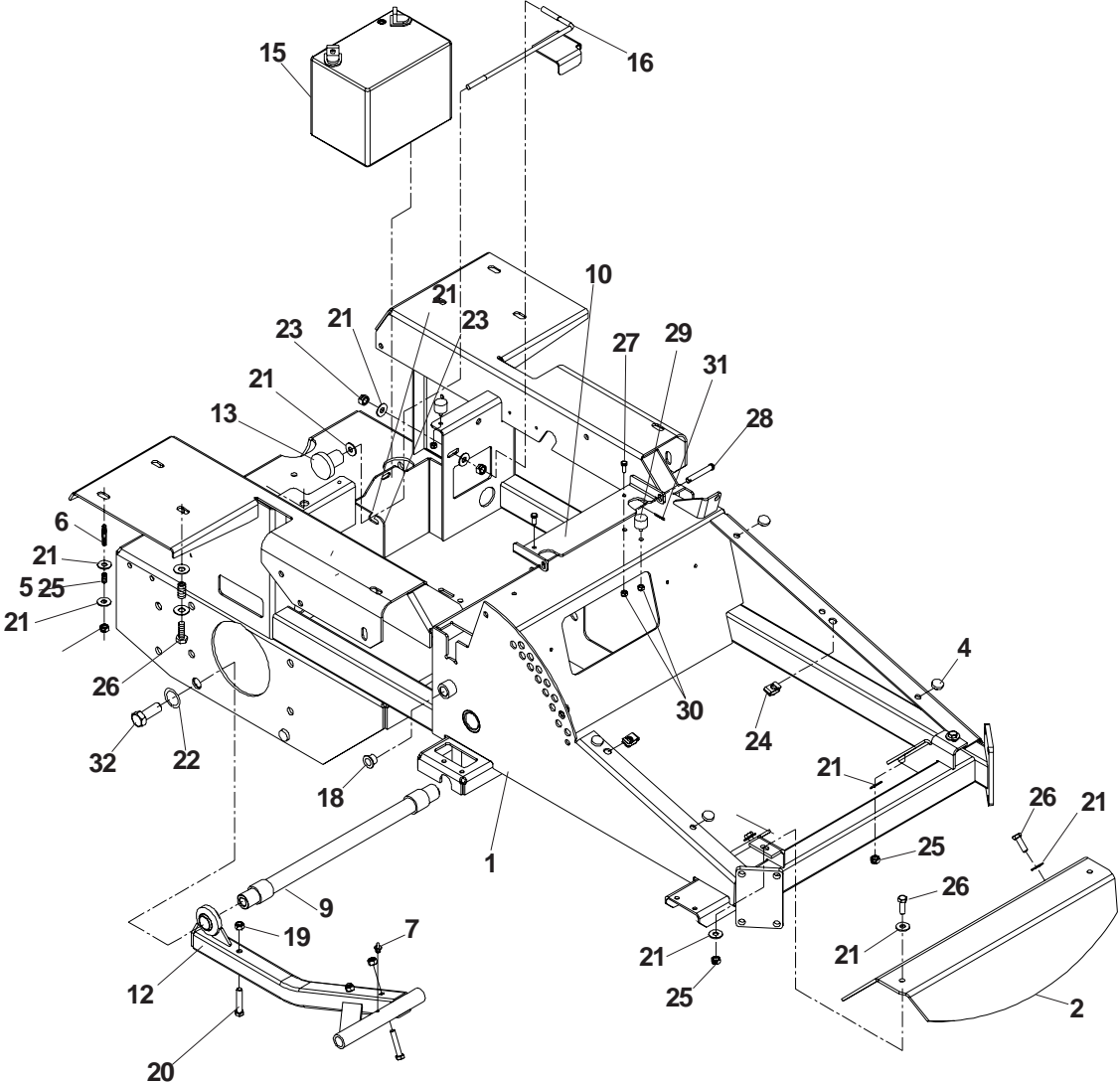
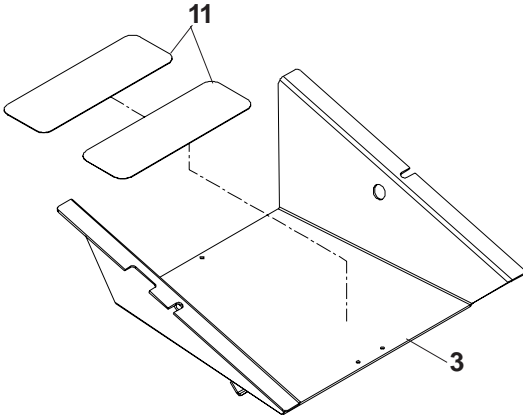
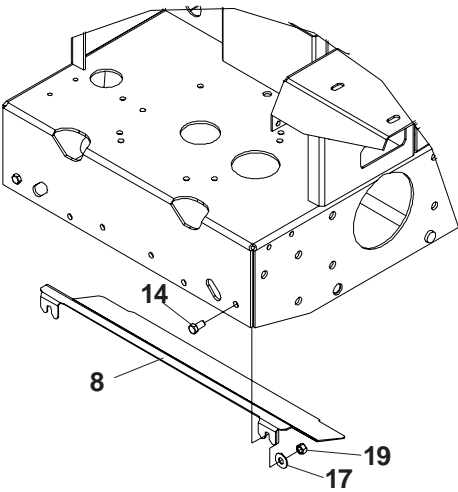


CHASSIS/FRAME



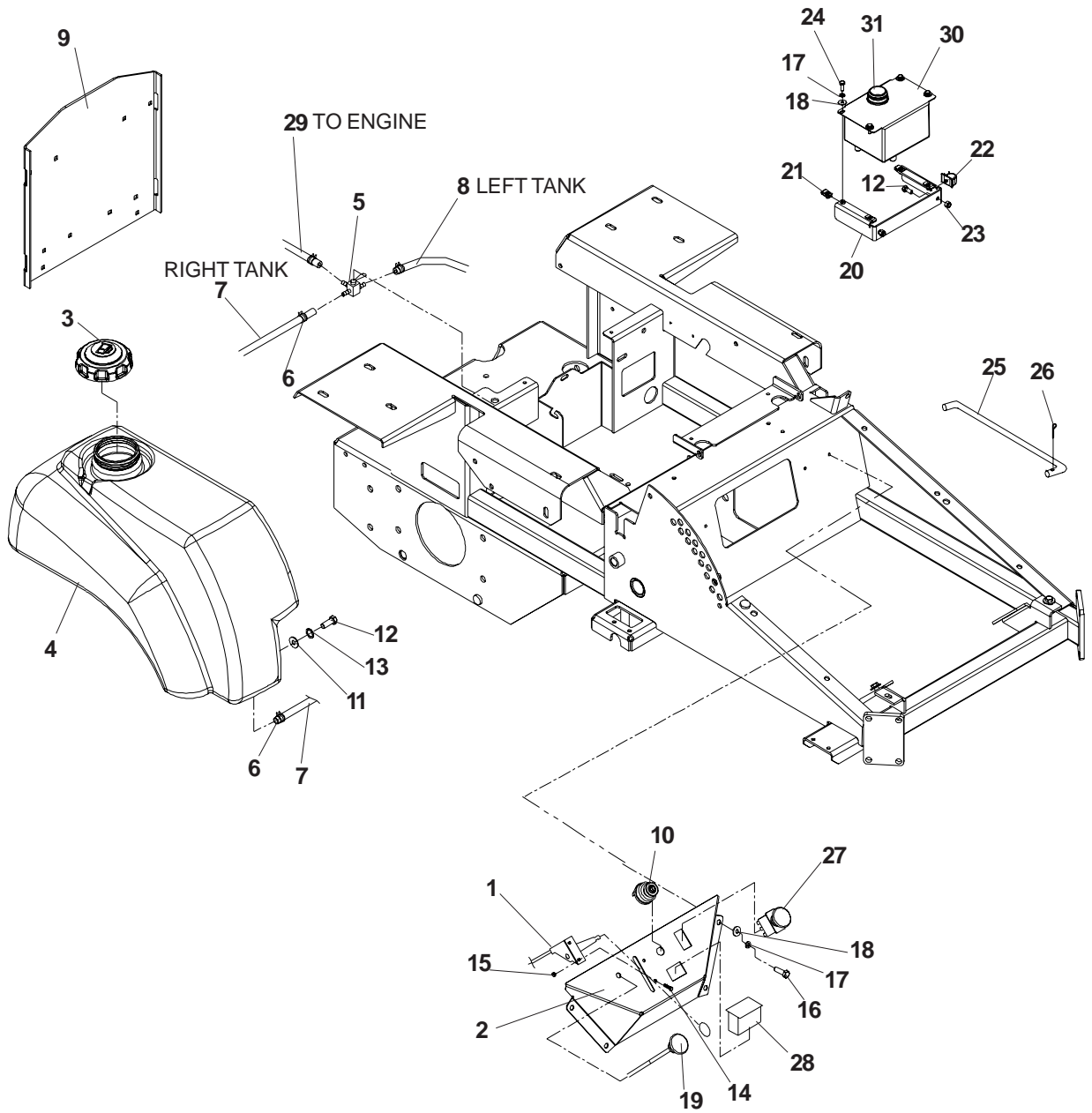
REAR OF MOWER



CHASSIS/FRAME

ITEM	PART NO.	QTY.	DESCRIPTION	ITEM	PART NO.	QTY.	DESCRIPTION
1....	539 110198	... 1...	FRAME W/DECALS	18...	539 102519	... 2...	BUSHING
2...	539 106941	... 1...	FOOT REST	19...	539 976979	. 11 ...	NUT, $\frac{3}{8}$ C, NYLOC
3....	539 111573	... 1...	FOOT PLATE W/DECAL	20...	539 990588	... 6...	HCS, $\frac{3}{8}$ C X 2
4...	539 102587	... 5...	BUMPER	21...	539 990692	... 4...	WASHER, $\frac{5}{16}$
5...	539 102845	... 8...	SPRING	22...	539 990333	... 2...	LOCKWASHER, $\frac{5}{8}$
6...	539 102502	... 6...	STUD	23...	539 990184	... 2...	LOCKNUT, $\frac{5}{16}$ C
7...	539 976998	... 2...	ZERK	24...	539 104763	... 2...	"U" CLIP, $\frac{5}{16}$ C
8....	539 112953	... 1...	REAR GUARD	25...	539 990717	. 10...	NUT, $\frac{5}{16}$ C, NYLOC
9...	539 104197	... 1...	STRUT MOUNT	26...	539 990209	... 6...	HCS, $\frac{5}{16}$ C X 1
10...	539 105224	... 1...	SEAT MOUNT W/DECAL	27...	539 990580	... 2...	HCS, $\frac{1}{4}$ C X $\frac{3}{4}$
11 ...	539 977778	... 3...	ANTI-SKID PAD	28....	539 110819	... 2...	CLEVIS PIN
12....	539 112647	... 1...	STRUT, RIGHT	29...	539 105039	... 4...	STUD MOUNTS
....	539 112646	... 1...	STRUT, LEFT (NOT SHOWN)	30...	539 976978	... 2...	NUT, $\frac{1}{4}$ C, NYLOC
13...	539 105169	... 1...	KNOB	31...	539 990365	... 2...	COTTER PIN
14...	539 990134	... 2...	HCS, $\frac{3}{8}$ -16 X $\frac{3}{4}$, GR5	32...	539 104199	... 2...	HCS, $\frac{5}{8}$ C X 2
15...	539 102436	... 1...	BATTERY, DRY				
16...	539 106899	... 1...	BATTERY HOLD DOWN				
17...	539 990517	... 2...	WASHER, $\frac{3}{8}$				

CHASSIS/FRAME



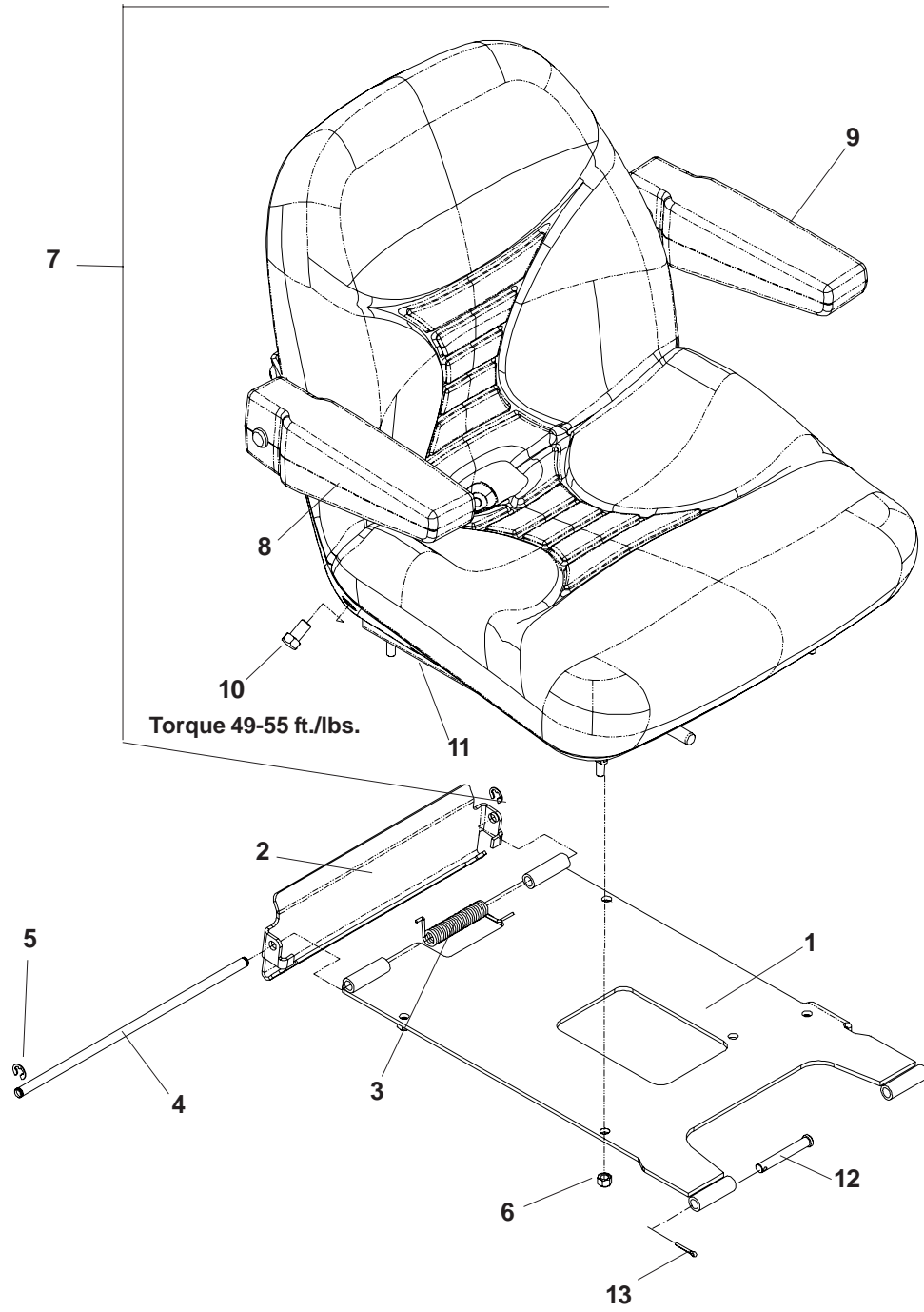
CHASSIS/FRAME

ITEM	PART NO.	QTY.	DESCRIPTION	ITEM	PART NO.	QTY.	DESCRIPTION
1...	539 103275	1...	THROTTLE CABLE	16...	539 990362	4...	TFS, ¼C X 5/8
2....	539 111147	1...	CONSOLE W/DECAL	17...	539 990052	8...	LOCKWASHER, ¼
3...	539 106188	2...	FUEL CAP	18...	539 990598	12...	WASHER, ¼
4...	539 104410	1...	FUEL TANK, RIGHT	19....	539 113458	1...	CHOKE CABLE
...	539 104409	1...	FUEL TANK, LEFT, (NOT SHOWN)	20....	539 110814	1...	TANK MOUNT
5...	539 102679	1...	FUEL VALVE	21....	539 110813	1...	"U" TYPE RETAINER, ¼C
6...	539 912222	6...	HOSE CLAMP	22....	539 110815	1...	PUSH MOUNT WIRE CLIP
7...	539 105527	1...	FUEL HOSE, 24"	23...	539 990717	4...	NUT, 5/16C, NYLOC
8...	539 105530	1...	FUEL HOSE, 34"	24...	539 990580	2...	HCS, ¼C X ¾
9...	539 106959	1...	ENGINE GUARD	25...	539 104525	1...	SEAT ROD
10...	539 107541	1...	IGNITION SWITCH	26...	539 990365	1...	PIN, COTTER, 1/8 X ¾
11...	539 990692	21...	WASHER, 5/16	27...	539 101768	1...	BLADE SWITCH
12...	539 976934	6...	HCS, 5/16C X ¾	28....	539 110074	1...	HOUR METER
13...	539 990187	2...	LOCKWASHER, 5/16	29...	539 105281	1...	FUEL HOSE, 29½"
14....	539 990411	2...	HCS, #10-24 X ½	30...	539 105024	1...	TANK, OIL
15...	539 976977	2...	NUT, #10-24, NYLOC	31...	539 101202	1...	CAP, HYDRAULIC

HYDRAULIC PUMP - MOTOR

ITEM	PART NO.	QTY.	DESCRIPTION	ITEM	PART NO.	QTY.	DESCRIPTION
1...	539 101176	2...	PULLEY	25...	539 976978	2...	NUT, ¼C, NYLOC
2...	539 101177	2...	KEY 5MM SQ X 25MM	26...	539 101237	4...	F6400-8-8-0
3...	539 106887	1...	BELT, PUMP	27...	539 113782	1...	HYDRAULIC FITTING
4...	539 103256	1...	SPRING	28...	539 101238	5...	F6801-6-6-0
5...	539 976695	1...	IDLER FLANGE BUSHING	29...	539 106896	4...	HYDRAULIC LINE
6...	539 990546	5...	NUT, ⅜C, CENTERLOCK	30...	539 104722	1...	HOSE, 7"
7...	539 990730	1...	HCS, ⅜C X 1 ¼	31...	539 111814	1...	"T" ASSEMBLY
8...	539 990517	1...	WASHER, ⅜	32...	539 110837	1...	"T" ASSEMBLY
9...	539 976688	1...	IDLER PULLEY	33...	539 102396	4...	STRAIGHT FITTING
10...	539 101331	1...	NUT, ½C, NYLOC	34...	539 105168	1...	CAP
11...	539 102236	1...	SUPPORT PLATE	35...	539 112671	2...	PUMP W/RTN'S, 10CC
12...	539 103427	1...	PIVOT BUSHING	36...	539 103115	4...	O-RING
13...	539 104388	1...	IDLER ARM	37...	539 103116	4...	O-RING
14...	539 976998	1...	ZERK	38...	539 103117	6...	O-RING
15...	539 990550	1...	WASHER, ½	39...	539 103118	8...	O-RING
16...	539 103433	1...	HCS, ½C X 3¼, GR5	40...	539 103119	8...	O-RING
17...	539 105024	1...	OIL TANK	41...	539 990588	1...	HCS, ⅜C X 2
18...	539 102606	1...	FILTER	42...	539 990613	1...	NUT, ⅜C, WHIZ
19...	539 101165	1...	FILTER HEAD	43...	539 976979	1...	NUT, ⅜C, NYLOC
20...	539 101202	1...	HYDRAULIC CAP	44...	539 102717	4...	SCREW, ⅝C X ⅝, SET
21...	539 106933	1...	FILTER BRACKET	45...	539 990072	2...	HCS, ¼C X ⅝
22...	539 990598	8...	WASHER, ¼	46...	539 990580	4...	HCS, ¼C X ¾
23...	539 990582	4...	HFCS, ⅜C X 1				
24...	539 990052	2...	LOCKWASHER, ¼				

SEAT

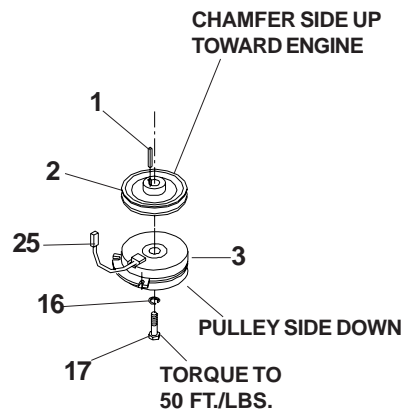
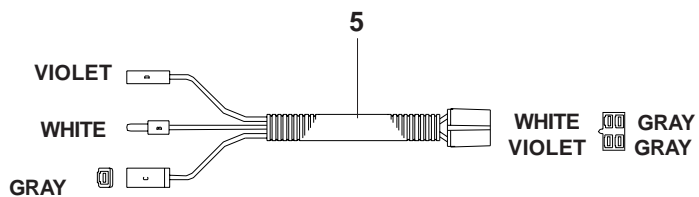
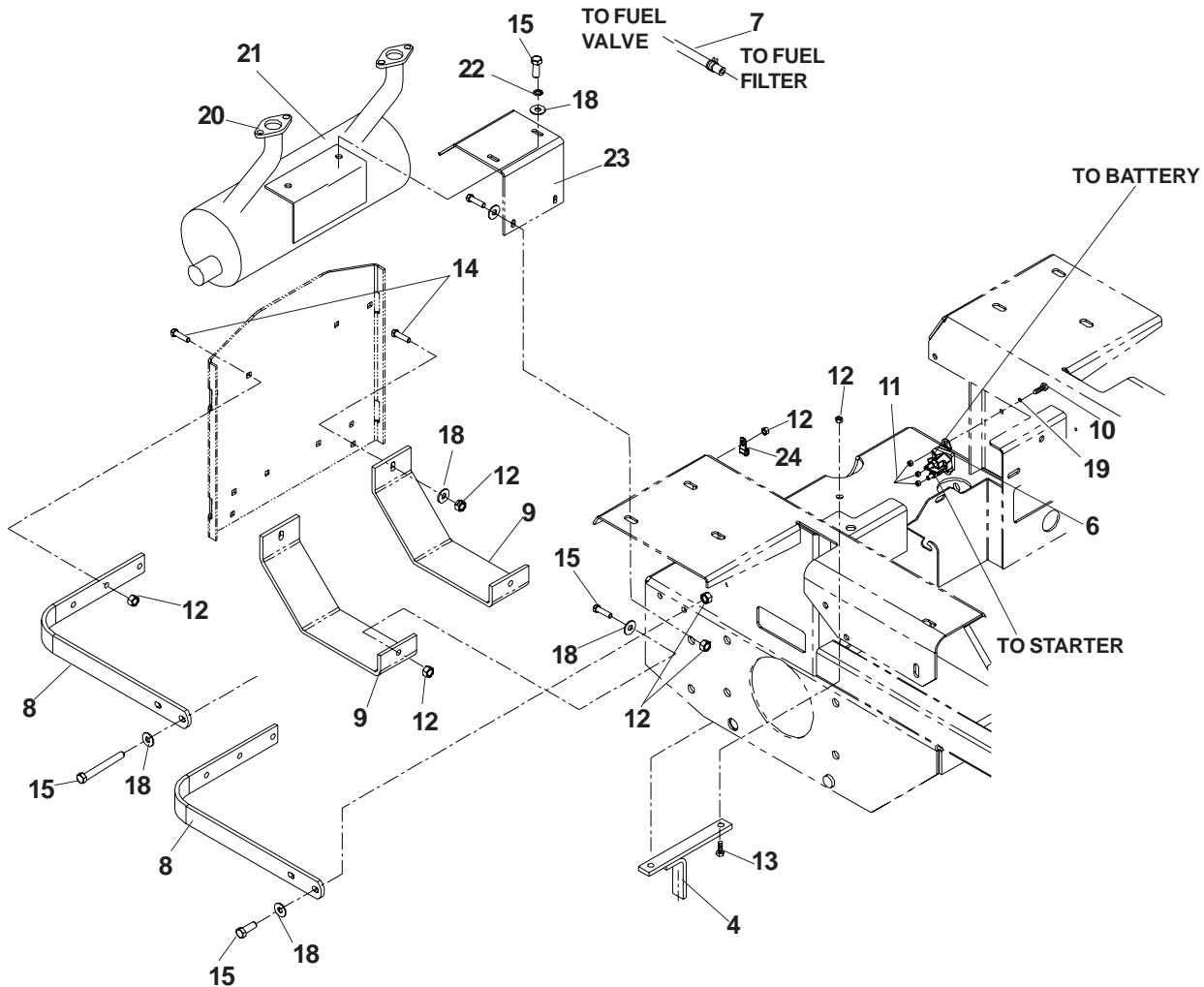


SEAT

ITEM	PART NO.	QTY.	DESCRIPTION
1....	539 110816	... 1...	SEAT MOUNT
2....	539 110644	... 1...	SEAT LATCH
3....	539 110645	... 1...	SPRING TORSION
4....	539 110646	... 1...	SEAT LATCH ROD
5...	539 990870	... 2...	RETAINING RING
6...	539 990717	... 4...	NUT, $\frac{5}{16}$ -18, NYLOC
7....	539 111946	... 1...	SEAT
8....	539 112035	... 1...	SEAT ARM, RIGHT
9....	539 112036	... 1...	SEAT ARM, LEFT
10....	539 112034	... 2...	HCS, $\frac{7}{16}$ -20 X $\frac{3}{4}$
11....	539 112037	... 1...	TRACK ADJUSTMENT KIT
12....	539 110819	... 2...	CLEVIS PIN
13...	539 990365	... 5...	PIN, COTTER, $\frac{1}{8}$ X $\frac{3}{4}$
	... 539 108745	... 1...	SWITCH/SNAP MOUNT KIT (NOT SHOWN)

ENGINE

KAWASAKI 21 HP

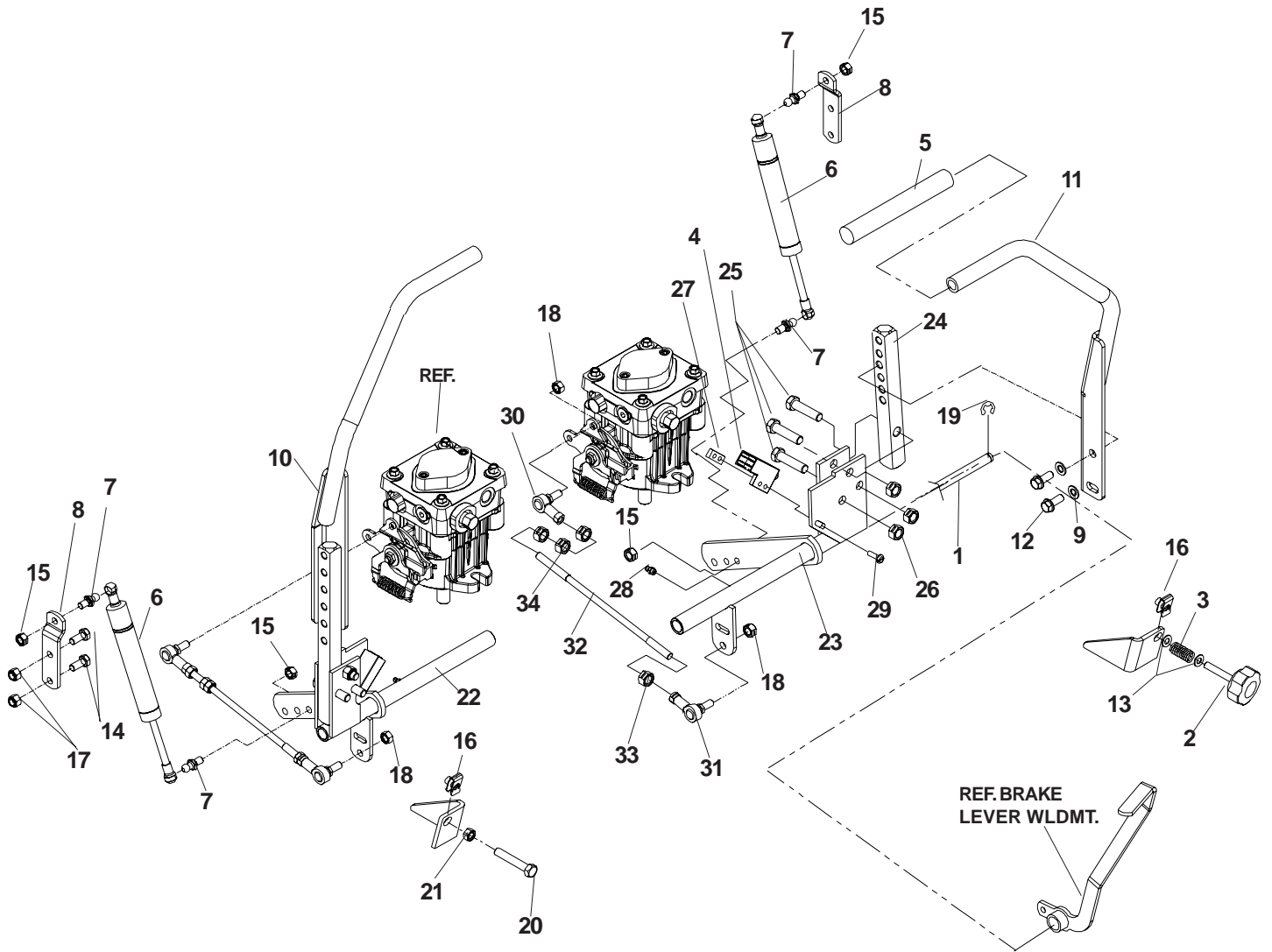


ENGINE

KAWASAKI 21 HP

ITEM	PART NO.	QTY.	DESCRIPTION	ITEM	PART NO.	QTY.	DESCRIPTION
1...	539 912757	1...	KEY ¼ SQ. X 1 ¼	15...	539 990209	12...	HCS, 5/16C X 1
2...	539 106992	1...	PULLEY	16...	539 990247	1...	LOCKWASHER, 7/16
3...	539 106880	1...	CLUTCH	17....	539 991120	1...	HCS, 7/16F X 2 ½
4...	539 106819	1...	CLUTCH TIE DOWN	18...	539 990692	14...	WASHER, 5/16
5...	539 104415	1...	KAWASAKI PIGTAIL	19...	539 990053	2...	LOCKWASHER, ¼
6...	539 101714	1...	SOLENOID	20...	539 108199	2...	GASKET, EXHAUST
7...	539 105281	1...	FUEL HOSE, 29 ½"	21...	539 105897	1...	MUFFLER, KAWASAKI
8...	539 106961	4...	STRAP	22...	539 990187	2...	LOCKWASHER, 5/16
9...	539 106957	2...	SKID PLATE	23....	539 111093	1...	MUFFLER BRACKET
10...	539 990072	2...	HCS, ¼C X 5/8	24...	539 109867	1...	TUBE CLAMP, DOUBLE
11...	539 976978	5...	NUT, ¼C, NYLOC	25...	539 105637	1...	WIRE HARNESS
12...	539 990717	22...	NUT, 5/16C, NYLOC	...	539 102757	1...	CABLE, POSITIVE (NOT SHOWN)
13...	539 990669	4...	HCS, 5/16C X 1 ¾	...	539 102759	2...	INSULATOR (NOT SHOWN)
14...	539 107271	10...	STRAP, ENGINE GUARD	...	539 976856	1...	TIE, PLASTIC (NOT SHOWN)

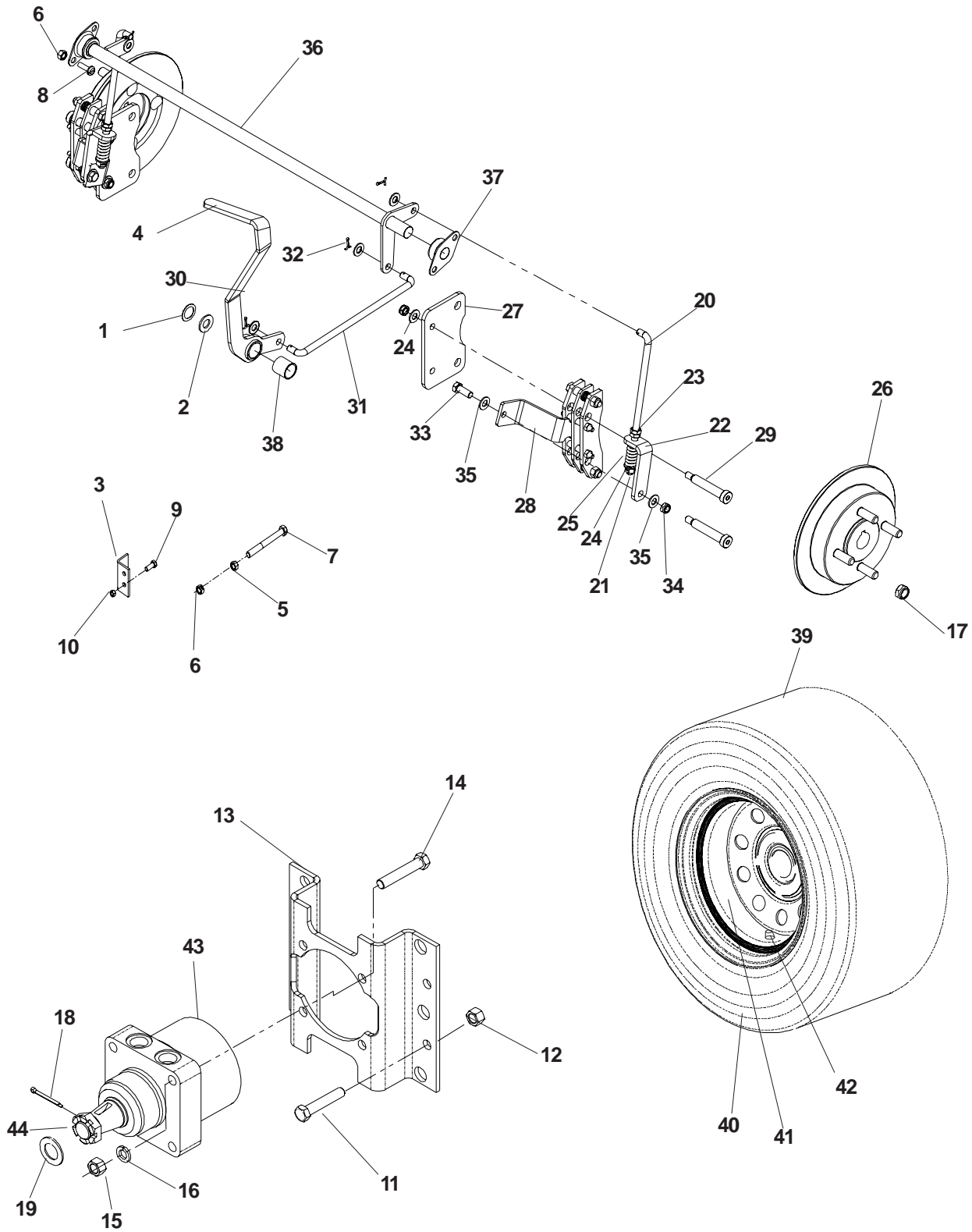
STEERING



STEERING

ITEM	PART NO.	QTY.	DESCRIPTION	ITEM	PART NO.	QTY.	DESCRIPTION
1...	539 108659	...	CONTROL SHAFT	18....	539 110943	...	NUT, $\frac{5}{16}$ F, NYLOC
2...	539 103003	...	TRACKING KNOB	19...	539 101949	...	E-RING, $\frac{1}{2}$
3....	539 111039	...	SPRING	20...	539 108394	...	HCS, $\frac{5}{16}$ -18 X $1\frac{3}{4}$, TPBLT
4...	539 101080	...	INTERLOCK SWITCH	21...	539 990196	...	NUT, $\frac{5}{16}$ C
5...	539 102592	...	GRIP	22....	539 111030	...	DRIVE CONTROL, RIGHT
6....	539 110606	...	DAMPENER	23....	539 111031	...	DRIVE CONTROL, LEFT
7....	539 110607	...	BALL STUD	24....	539 110638	...	ARM CONTROL SHAFT
8....	539 110811	...	DAMPENER ARM	25...	539 990730	...	HCS, $\frac{3}{8}$ -16 X $1\frac{3}{4}$, GR5
9...	539 102593	...	WASHER, $\frac{3}{8}$, SPRING	26...	539 976979	...	NUT, $\frac{3}{8}$ -16, NYLOC
10....	539 110826	...	DRIVE LEVER, RIGHT	27...	539 102678	...	TAPPED PLATE
11....	539 110827	...	DRIVE LEVER, LEFT	28...	539 976998	...	ZERK
12...	539 990563	...	HCS, $\frac{3}{8}$ C X 1	29...	539 976952	...	SCREW, #10-24 X $\frac{5}{8}$
13...	539 990692	...	WASHER, $\frac{5}{16}$	30....	539 110603	...	ROD END, RIGHT
14...	539 976934	...	HCS, $\frac{5}{16}$ C X $\frac{3}{4}$	31....	539 110604	...	ROD END, LEFT
15...	539 990184	...	LOCKNUT, $\frac{5}{16}$ C	32...	539 103264	...	LINKAGE
16...	539 104763	...	"U" CLIP, $\frac{5}{16}$ C	33...	539 991073	...	NUT, $\frac{5}{16}$ F, JAM, LH
17...	539 990717	...	NUT, $\frac{5}{16}$ C, NYLOC	34...	539 990223	...	NUT, $\frac{5}{16}$ F

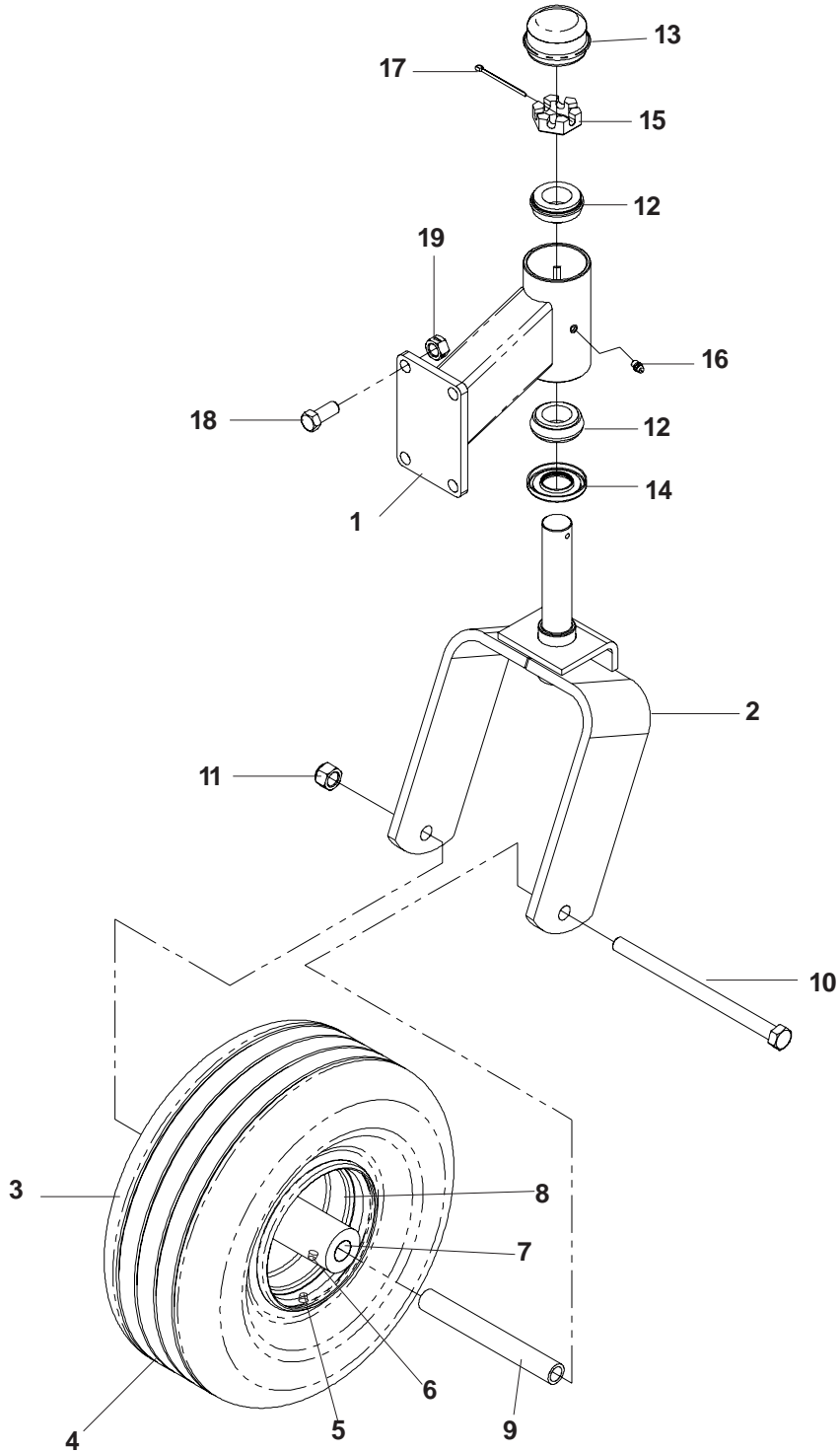
PARK BRAKE



PARK BRAKE

ITEM	PART NO.	QTY.	DESCRIPTION	ITEM	PART NO.	QTY.	DESCRIPTION
1	539 101151	1	RETAINING RING, $\frac{7}{8}$	23	539 108732	2	NUT, $\frac{3}{8}$ -24, JAM
2	539 923787	1	BUSHING, MACHINE	24	539 990122	1	WASHER, $\frac{3}{8}$, SAE
3	539 105029	1	BRACKET	25	539 113952	1	SPRING
4	539 105036	1	GRIP	26	539 113945	2	HUB
5	539 990613	1	NUT, $\frac{3}{8}$ C, WHIZ	27	539 113948	2	PLATE, BRAKE
6	539 976979	5	NUT, $\frac{3}{8}$ C, NYLOC	28	539 113944	2	CALIPER
7	539 990637	1	HCS, $\frac{3}{8}$ C X 2 $\frac{1}{2}$	29	539 113951	4	SB, $\frac{3}{8}$ -16 X 2 $\frac{1}{2}$, SKT
8	539 990563	4	HCS, $\frac{3}{8}$ C X 1	30	539 108616	1	BRAKE LEVER
9	539 990580	2	HCS, $\frac{1}{4}$ C X $\frac{3}{4}$	31	539 113954	1	LINKAGE, BRAKE
10	539 976978	2	NUT, $\frac{1}{4}$ C, NYLOC	32	539 990037	4	PIN COTTER, $\frac{3}{32}$ X $\frac{3}{4}$
11	539 990622	8	HFCS, $\frac{1}{2}$ C X 1 $\frac{1}{4}$	33	539 990563	2	HCS, $\frac{3}{8}$ -16 X 1, GR5
12	539 101331	8	NUT, $\frac{1}{2}$ C, NYLOC	34	539 200282	6	NUT, $\frac{3}{8}$ -16 JAM, NYLOC
13	539 106989	2	MOTOR STANDOFF	35	539 990122	12	WASHER, $\frac{3}{8}$, SAE
14	539 101332	8	HCS, $\frac{1}{2}$ -13 X 2 $\frac{3}{4}$, GR5	36	539 106969	1	BRAKE CROSS SHAFT
15	539 990258	8	NUT, $\frac{1}{2}$ -13	37	539 102797	2	BEARING, FLANGED
16	539 990254	8	LOCKWASHER, $\frac{1}{2}$	38	539 108619	1	BUSHING
17	539 101173	8	NUT, $\frac{1}{2}$, LUG	39	539 112592	2	TIRE (COMPLETE)
18	539 104288	2	COTTER PIN	40	539 112599	1	TIRE
19	539 916561	2	BUSHING, 1", MACHINE	41	539 107392	1	RIM
20	539 113955	1	LINKAGE, REAR BRAKE	42	539 912234	1	VALVE STEM
21	539 990289	1	NUT, $\frac{3}{8}$ -24, CTR LK, GR5	43	539 112671	2	WHEEL MOTOR
22	539 113950	1	L BRACKET	44	539 101468	2	HEX SLOTTED NUT

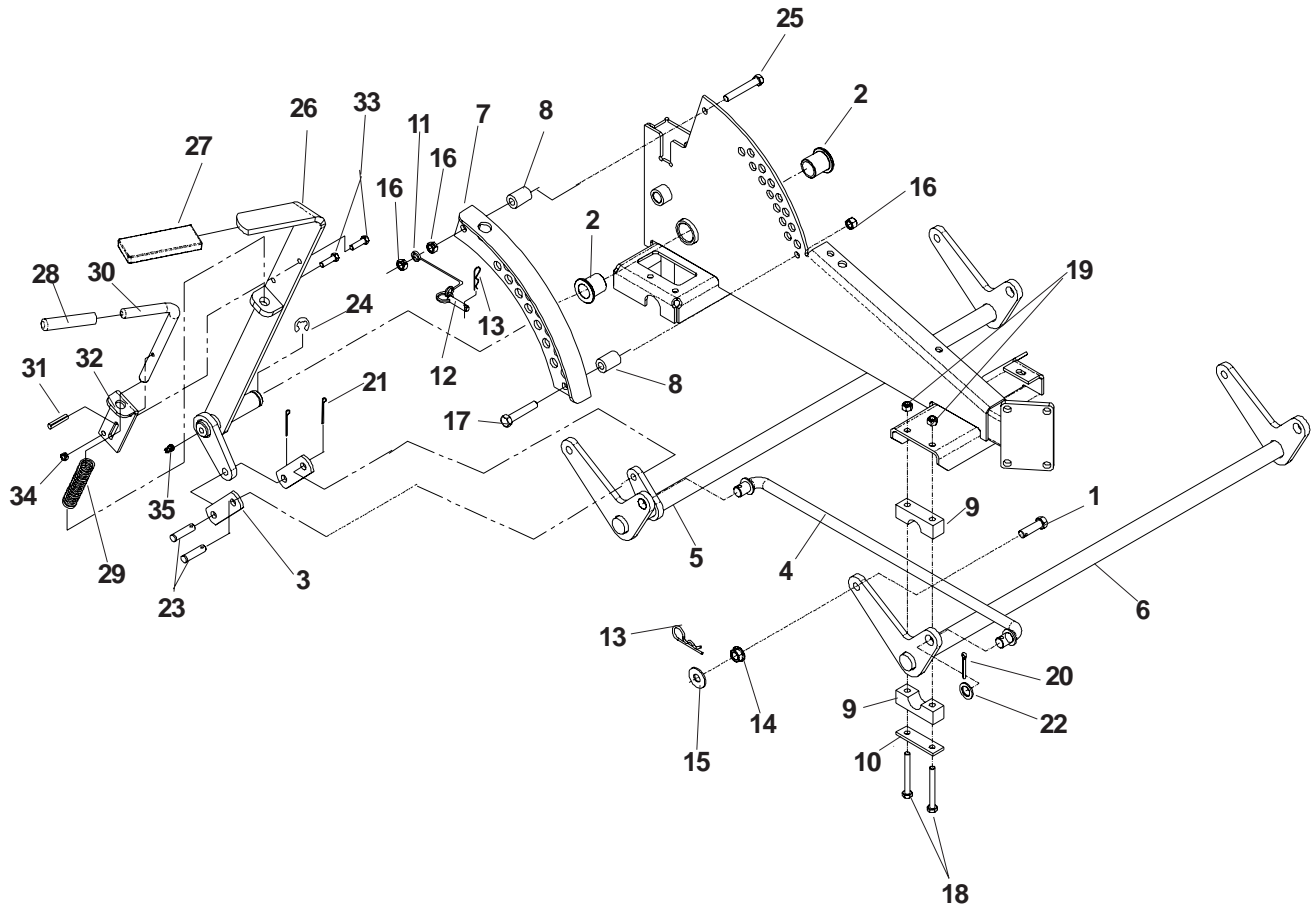
CASTERS



CASTERS

ITEM	PART NO.	QTY.	DESCRIPTION
1...	539 106986	1	CASTER ARM
2...	539 104571	1	CASTER YOKE
3...	539 104572	1	TIRE (COMPLETE)
4...	539 102546	1	TIRE
5...	539 912234	1	VALVE STEM
6...	539 976997	1	ZERK
7...	539 102484	2	END CAPS
8...	539 104573	1	RIM
9...	539 102856	1	SPACER
10...	539 102855	1	HCS, 1/2-13 X 7 1/2, GR5
11...	539 101331	1	NUT, 1/2-13, NYLOC
12...	539 102543	2	BEARING
13...	539 102535	1	GREASE CAP
14...	539 102851	1	SEAL
15...	539 102852	1	NUT, 1"-14, JAM
16...	539 101474	1	ZERK
17...	539 102889	1	COTTER PIN 1/8 X 2
18...	539 100143	4	HCS, 7/16-14 X 1, GR5
19...	539 990839	4	NUT, 7/16-14, CTRLK, GRA

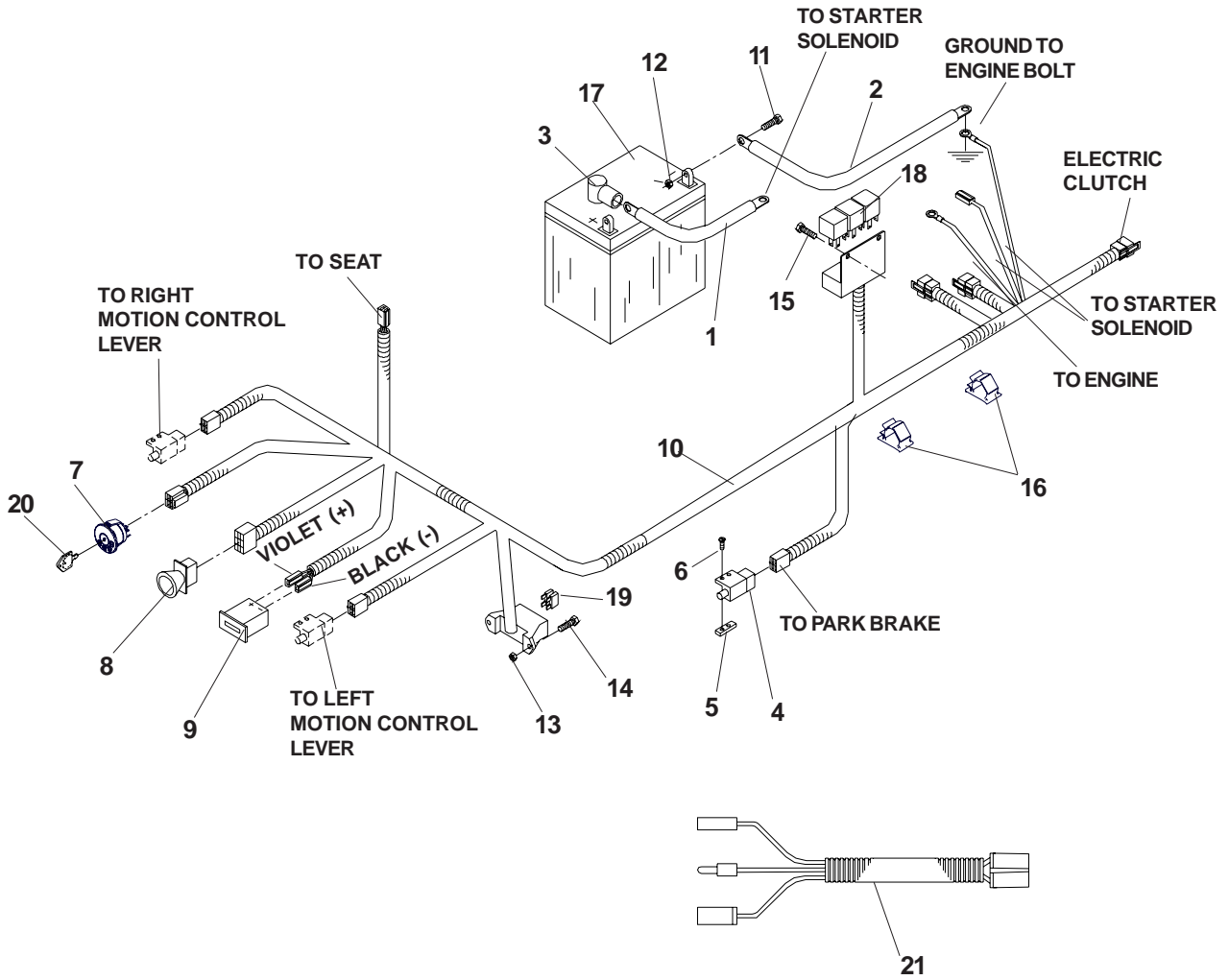
MOWER LIFT/DECK LIFT



MOWER LIFT/DECK LIFT

ITEM	PART NO.	QTY.	DESCRIPTION	ITEM	PART NO.	QTY.	DESCRIPTION
1	539 112520	4	HCS, $\frac{7}{16}$ -14 X 1 $\frac{1}{2}$, GR5, SPEC	19	539 990717	8	NUT, $\frac{5}{16}$ C, NYLOC
2	539 101232	2	BUSHING, FLANGE	20	539 990654	4	COTTER PIN
3	539 102565	2	LIFT ARM	21	539 990365	2	COTTER PIN
4	539 110808	2	DECK LIFT LINK	22	539 991043	4	BUSHING, $\frac{5}{8}$, MACHINE
5	539 109955	1	LIFT SHAFT, REAR	23	539 977703	2	CLEVIS PIN $\frac{3}{8}$ X 1 $\frac{1}{8}$
6	539 109956	1	LIFT SHAFT, FRONT	24	539 101802	1	E-RING, $\frac{7}{8}$
7	539 110803	1	ADJUSTMENT PLATE	25	539 102612	1	HCS, $\frac{3}{8}$ C X 2 $\frac{3}{4}$
8	539 104530	2	DECK LIFT SPACER	26	539 109961	1	LIFT LEVER
9	539 104808	8	PILLOW BLOCKS	27	539 102515	1	HANDLE CUSHION
10	539 104807	4	SUPPORT PLATE	28	539 101050	1	VINYL GRIP
11	539 105059	1	LANYARD	29	539 101058	1	SPRING, COMPRESSION
12	539 102526	1	HITCH PIN	30	539 103533	1	PIN
13	539 976989	5	HAIR PIN #4	31	539 106532	1	GROOVED PIN
14	539 102582	4	NUT, $\frac{7}{16}$ -14, WHZLK	32	539 103534	1	PIN MOUNT, UPPER
15	539 104864	4	WASHER, $\frac{7}{16}$	33	539 990580	2	HCS, $\frac{1}{4}$ -20 X $\frac{3}{4}$, GR5
16	539 976979	3	NUT, $\frac{3}{8}$ C, NYLOC	34	539 990761	2	NUT, $\frac{1}{4}$ -20, CTRLK
17	539 990637	1	HCS, $\frac{3}{8}$ C X 2 $\frac{1}{2}$	35	539 101474	1	ZERK
18	539 101721	8	HCS, $\frac{5}{16}$ C X 2 $\frac{3}{4}$				

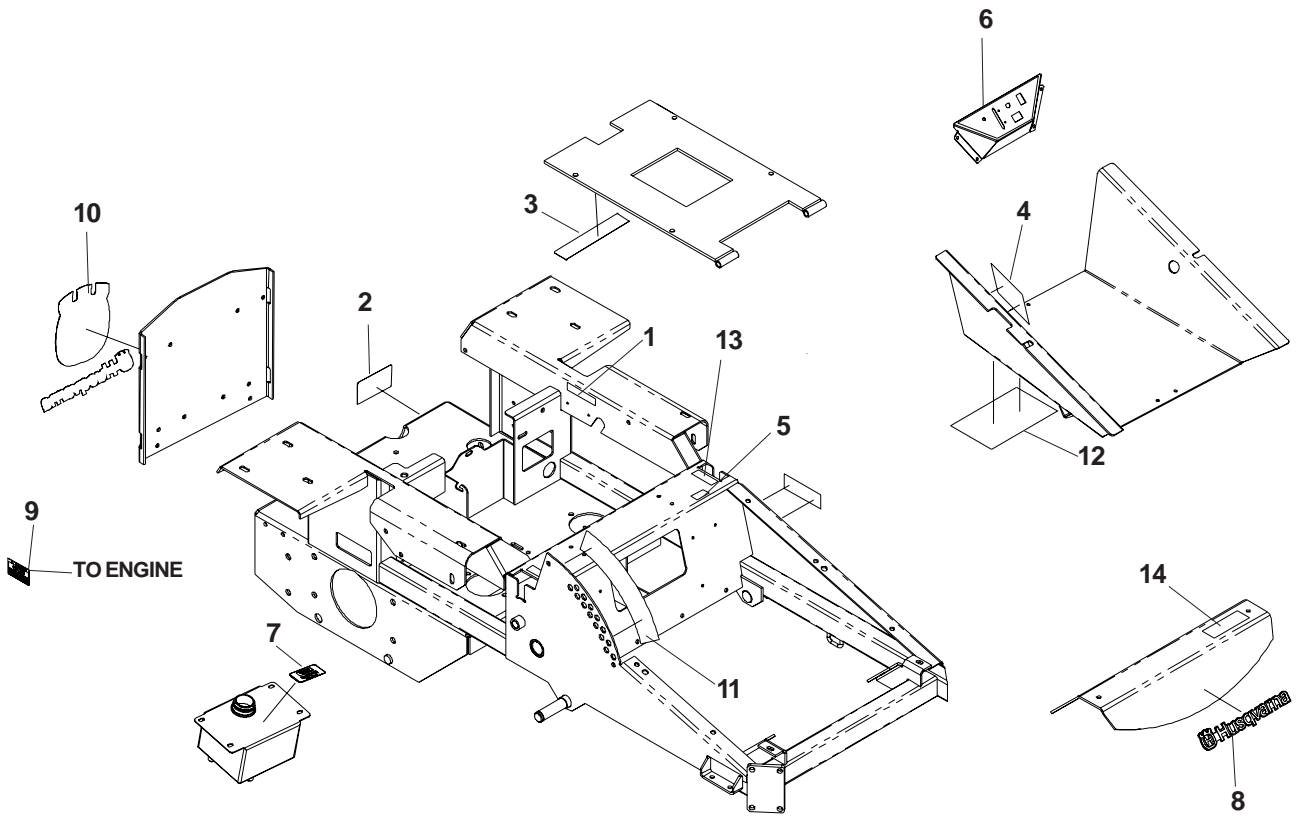
ELECTRICAL



ELECTRICAL

ITEM	PART NO.	QTY.	DESCRIPTION
1...	539 103306	1 ...	CABLE, POSITIVE
2...	539 102758	1 ...	CABLE, NEGATIVE
3...	539 102759	2...	INSULATOR
4...	539 101080	3...	INTERLOCK SWITCH
5...	539 102678	1 ...	TAPPED PLATE
6...	539 976952	2...	BOLT, #10-24 X $\frac{5}{8}$
7...	539 107541	1 ...	IGNITION SWITCH
8...	539 101768	1 ...	BLADE SWITCH
9....	539 110074	1 ...	HOUR METER
10....	539 110950	1 ...	FRAME HARNESS
11...	539 976934	2...	HCS, $\frac{5}{16}$ C X $\frac{3}{4}$
12...	539 990717	2...	NUT, $\frac{5}{16}$ C, NYLOC
13...	539 976977	2...	NUT, #10-24, NYLOC
14...	539 102617	2...	SCREW, #10-24 X $\frac{7}{8}$
15...	539 991034	2...	SCREW, #10-24 X $\frac{5}{8}$, SELF TAP
16....	539 110815	2...	PUSH MOUNT WIRE CLIP
17...	539 102436	1 ...	BATTERY, DRY
18...	539 102914	3...	RELAY
19...	539 101771	1 ...	FUSE, 7.5 AMP
20...	539 107544	1 ...	KEY, IGNITION, PADDED
21...	539 104415	1 ...	PIGTAIL, KAWASAKI
 539 102115	1 ...	WIRE TIE, 15" (NOT SHOWN)

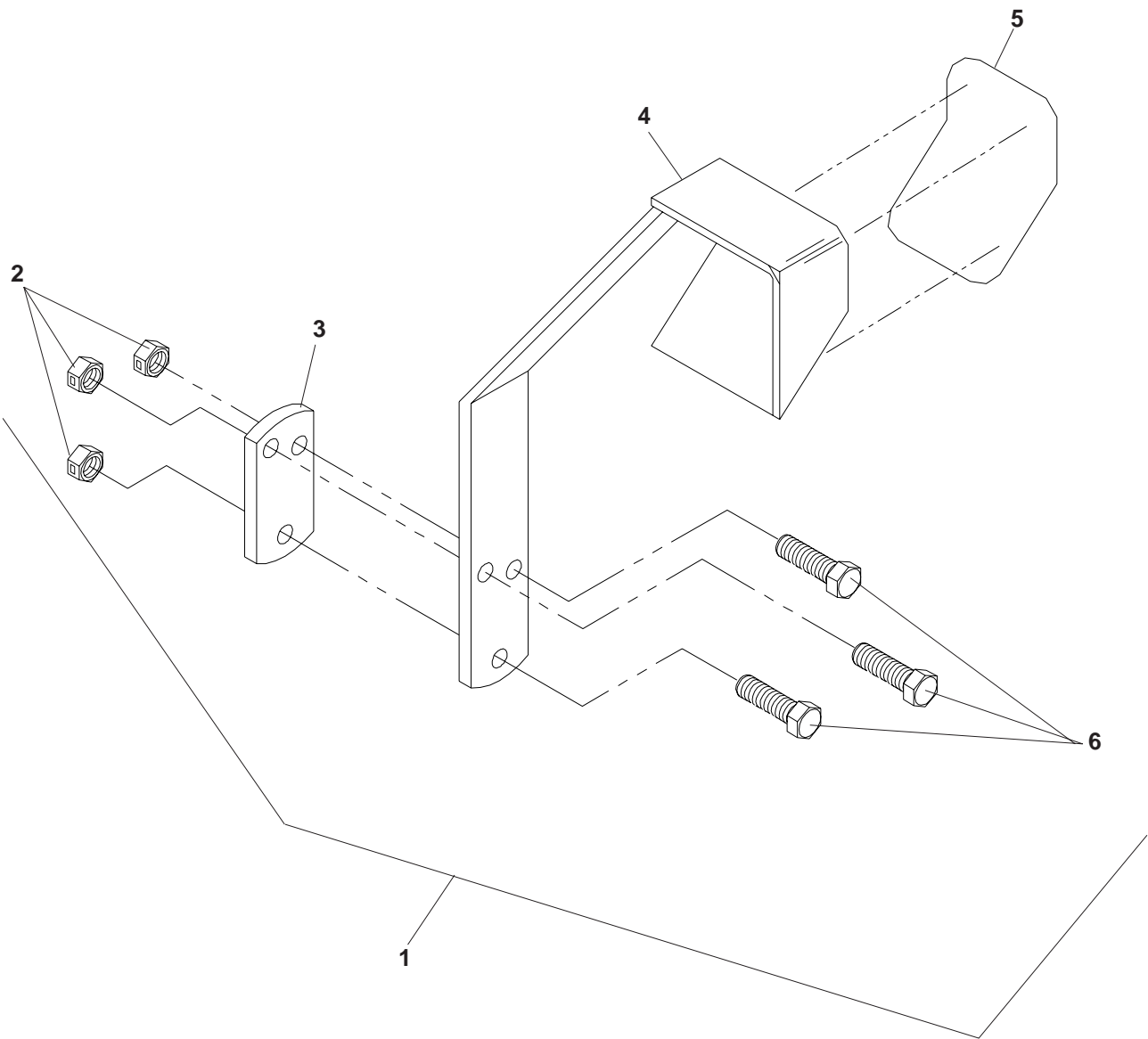
DECALS



DECALS

ITEM	PART NO.	QTY.	DESCRIPTION	ITEM	PART NO.	QTY.	DESCRIPTION
1....	539 111597	... 1 ...	DECAL, RELAYS	12...	539 107289	... 1 ...	DECAL, SERVICE
2...	539 105744	... 1 ...	DECAL, BELT DRIVES	13...	539 103333	... 2 ...	DECAL, MOTION CONTROL
3...	539 105745	... 1 ...	DECAL, BATTERY WRNING	14....	539 112976	... 1 ...	DECAL, CE 968999306
4....	539 111575	... 1 ...	DECAL, WARNING	...	539 102670	... 1 ...	DECAL, FUEL (NOT SHOWN)
5....	539 110974	... 1 ...	DECAL, TRACKING	...	539 102670	... 1 ...	DECAL, FUEL VALVE (NOT SHOWN)
6....	539 110956	... 1 ...	DECAL, CONSOLE	...	539 109909	... 1 ...	DECAL, SEAT (NOT SHOWN)
7....	539 114832	... 1 ...	DECAL, OIL TANK	539 112518	... 1 ...	DECAL, iZ21 (NOT SHOWN)
8....	539 111047	... 1 ...	DECAL, HUSQVARNA				
9...	539 100128	... 1 ...	DECAL, EXHAUST				
10....	539 111055	... 1 ...	DECAL, CROWN				
11....	539 112606	... 1 ...	DECAL, HEIGHT, iZE				

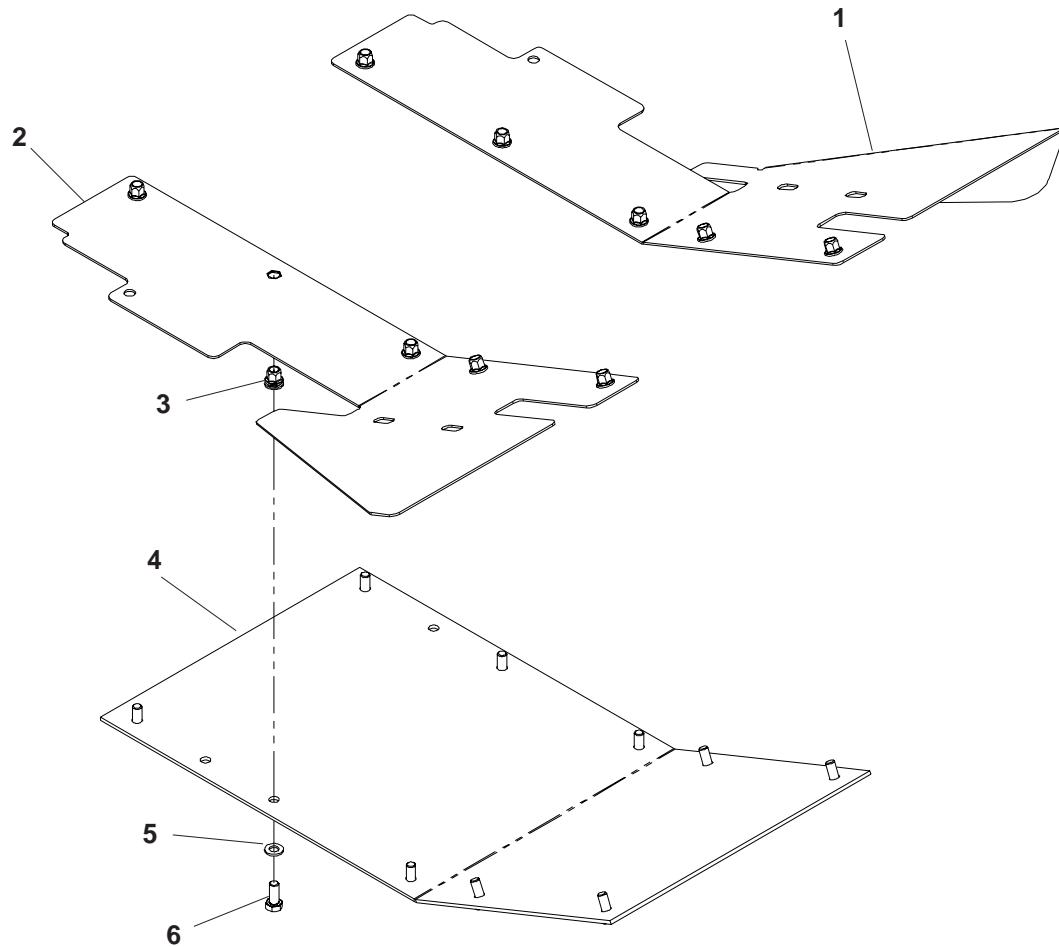
PEDALS



PEDALS

ITEM	PART NO.	QTY.	DESCRIPTION
1...	539 105180 ...	1...	LIFT PEDAL KIT
2...	539 976979 ...	3...	NUT, 3/8C, NYLOC
3...	539 105184 ...	1...	TIGHTING PLATE
4...	539 105181 ...	1...	LIFT PEDAL
5...	539 105187 ...	1...	ANTI-SKID PAD
6...	539 990655 ...	3...	HCS, 3/8C X 1½

DEBRIS SHIELD



ITEM	PART NO.	QTY.	DESCRIPTION
1	539 112951	1	SHIELD, LEFT
2	539 112549	1	SHIELD, RIGHT
3	506 916201	10	NUT
4	539 112954	1	RUBBER SECTION
5	734 116301	10	WASHER
6	725 245151	10	BOLT, M8 X 1.25 X 20MM