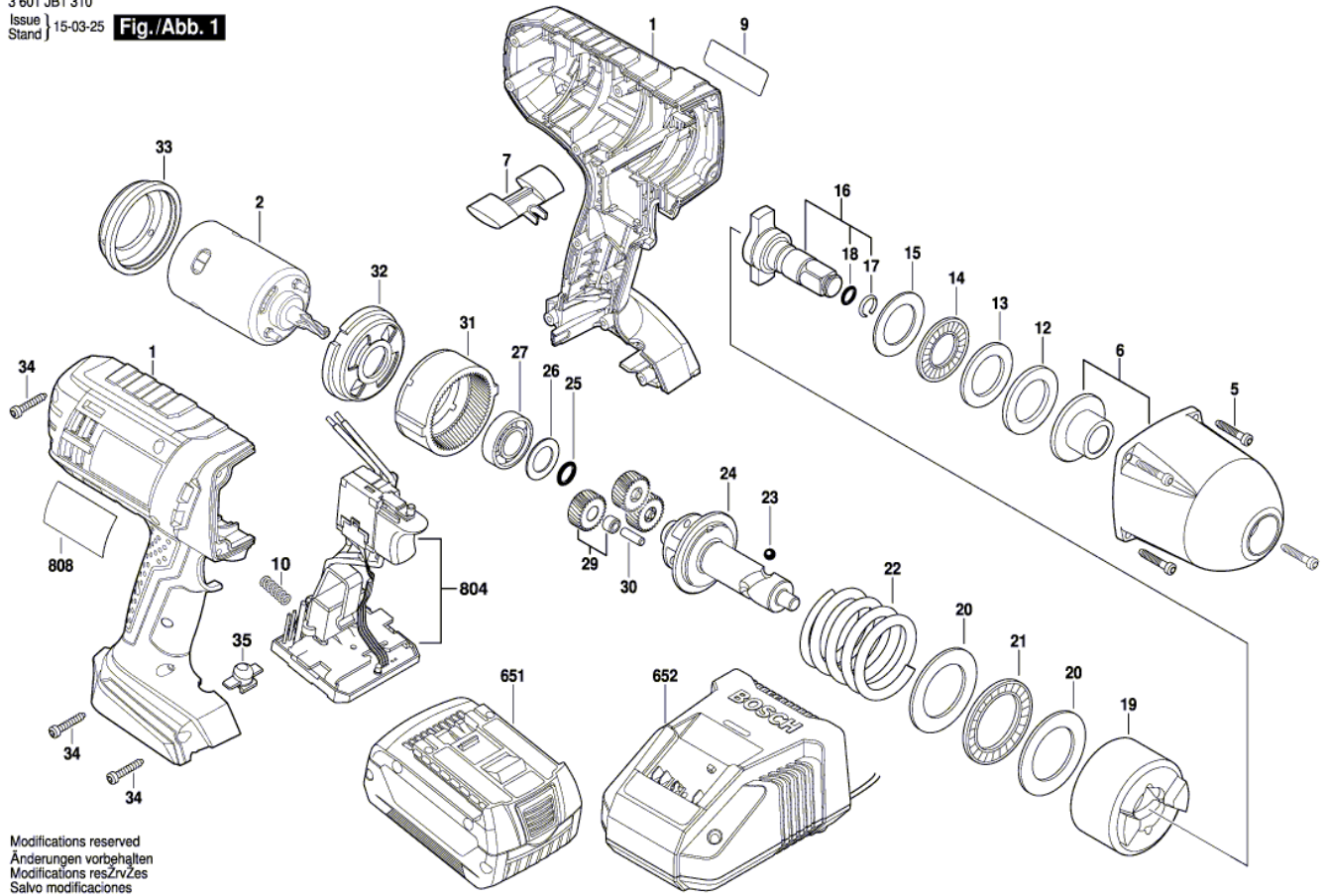




3 601 JB1 310
Issue 15-03-25
Stand

Fig./Abb. 1



Modifications reserved
Änderungen vorbehalten
Modificaciones reservadas
Salvo modificaciones



Pos.	Part Number	Description	Pos.	Part Number	Description
1	2 610 015 256				
2	2 610 943 875	Motor			
5	2 610 943 873	Screw			
6	2 610 943 874	Gear Housing			
7	2 610 007 763				
10	1 609 280 477				
12	2 610 011 290				
13	2 610 943 877	Anti-friction washer			
14	2 610 943 878	Thrust Bearing			
15	2 610 943 879	Anti-friction washer			
16	2 610 943 880	Coupling Half			
17	2 610 943 881	Metal Ring			
18	2 610 011 292				
19	2 610 943 883	Striker			
20	2 610 943 884	Anti-friction washer			
21	2 610 943 885	Thrust Bearing			
22	2 610 943 886	Spring			
23	2 610 943 887	Ball			
24	2 610 943 888	Planetary-Gear Carrier			
25	2 610 011 291				
26	2 610 943 890	Washer			
27	2 610 943 891	groove ball bearing			
29	2 610 943 892	Conversion Gear			
30	2 610 943 893	Bolt			
31	2 610 007 757				
32	2 610 943 895	Rubber Collar			
33	2 610 943 896	Rubber Collar			
34	2 610 008 200				
35	2 605 190 895				
652	2 607 225 927				
652	2 607 225 321	Charger			
652	2 607 225 323	Charger			
804	2 610 016 810				
808	2 610 015 257				