



BOSCH

Impact Wrench

IWH141 | 3 601 JA1 T13

Table of Content

Spare parts list.....	2
Illustration - Type.....	3

Spare parts list

Item	Part Number	Description	Illustration
1	2 609 101 136	Housing	1
4	1 607 233 479	Electronics Module	1
5	2 609 100 698	Button	1
8	2 609 131 989	Warning Label	1
9	2 609 132 045	Nameplate IMPACTOR 14,4V	1
21	2 609 111 485	Wire Mesh	1
45	2 609 199 257	Gear Box	1
45/60	2 609 170 128	Cap	1
46	1 609 280 477	Compression Spring	1
91	2 607 336 079	Battery Set 14,4V, 2,6Ah, LI, MS	1
91	2 607 336 153	Battery Set 14,4V, 1,3Ah, LI, MS	1
100	2 609 110 833	Clip	1
101	2 609 110 201	Torx Flat-Head Screw 3x16	1
103	2 609 110 835	Nut	1
105	2 609 110 834	Screw	1
653	2 607 225 927	Charger USA BC 1880 CV 13,3-18V/120V	1
802	2 609 199 275	DC motor 14,4V	1
802/33	2 609 170 104	O-Ring	1
804	1 609 280 474	Contact retainer	1
808	2 609 132 601	Label IWH141	1
816	2 609 199 169	Carbon-Brush Set	1
848	2 609 199 190	Brush-Cover	1

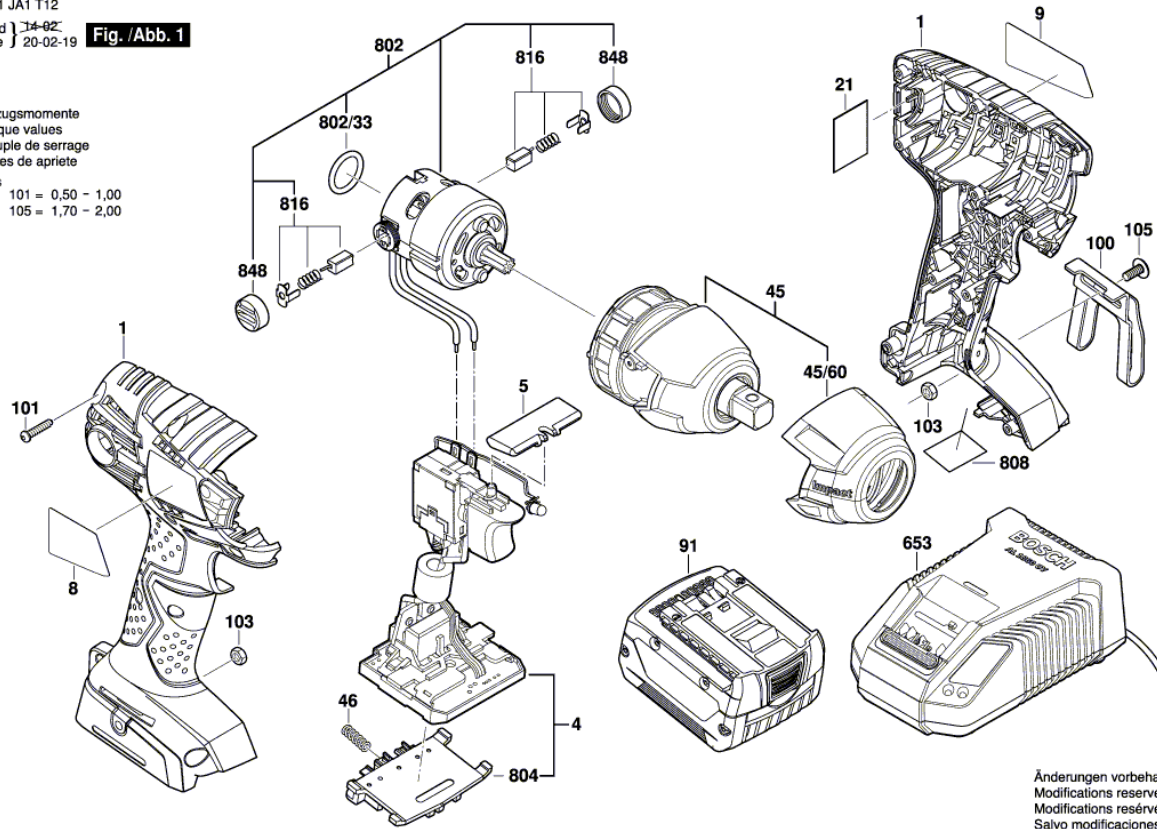
Illustration - Type - E

3 601 JA1 T12
 Stand } 2019-02
 Issue } 20-02-19

Fig. /Abb. 1

Anzugsmomente
 Torque values
 Couple de serrage
 Pares de apriete

Pos
 101 = 0,50 - 1,00
 105 = 1,70 - 2,00



Änderungen vorbehalten
 Modifications reserved
 Modifications réservées
 Salvo modificaciones